

US00D493143S1

(12) **United States Design Patent**
Aldridge

(10) **Patent No.:** **US D493,143 S**

(45) **Date of Patent:** **** Jul. 20, 2004**

(54) **MATING CONNECTOR**

(75) **Inventor:** **Ian Edward Aldridge, Hampshire (GB)**

(73) **Assignee:** **Contour Electronics Limited, Hampshire (GB)**

(**) **Term:** **14 Years**

(21) **Appl. No.:** **29/172,495**

(22) **Filed:** **Dec. 11, 2002**

(51) **LOC (7) Cl. 13-03**

(52) **U.S. Cl. D13/147**

(58) **Field of Search D13/146, 147;**
439/78, 101, 248, 278, 378, 677, 680, 752

(56) **References Cited**

U.S. PATENT DOCUMENTS

4,179,179	A	*	12/1979	Lowden	439/278
4,655,517	A	*	4/1987	Bryce	439/83
4,976,628	A	*	12/1990	Fedder	439/101
D412,489	S	*	8/1999	Middlehurst et al.	D13/147
6,093,046	A	*	7/2000	Chiou et al.	439/378
D434,726	S	*	12/2000	Middlehurst	D13/147

6,315,606	B1	*	11/2001	Hwang	439/557
D458,901	S	*	6/2002	Larsen et al.	D13/147
D460,418	S	*	7/2002	Han	D13/147

* cited by examiner

Primary Examiner—Philip S. Hyder

Assistant Examiner—Selina Sikder

(74) *Attorney, Agent, or Firm*—George R. McGuire; Bond, Schoeneck & King, PLLC

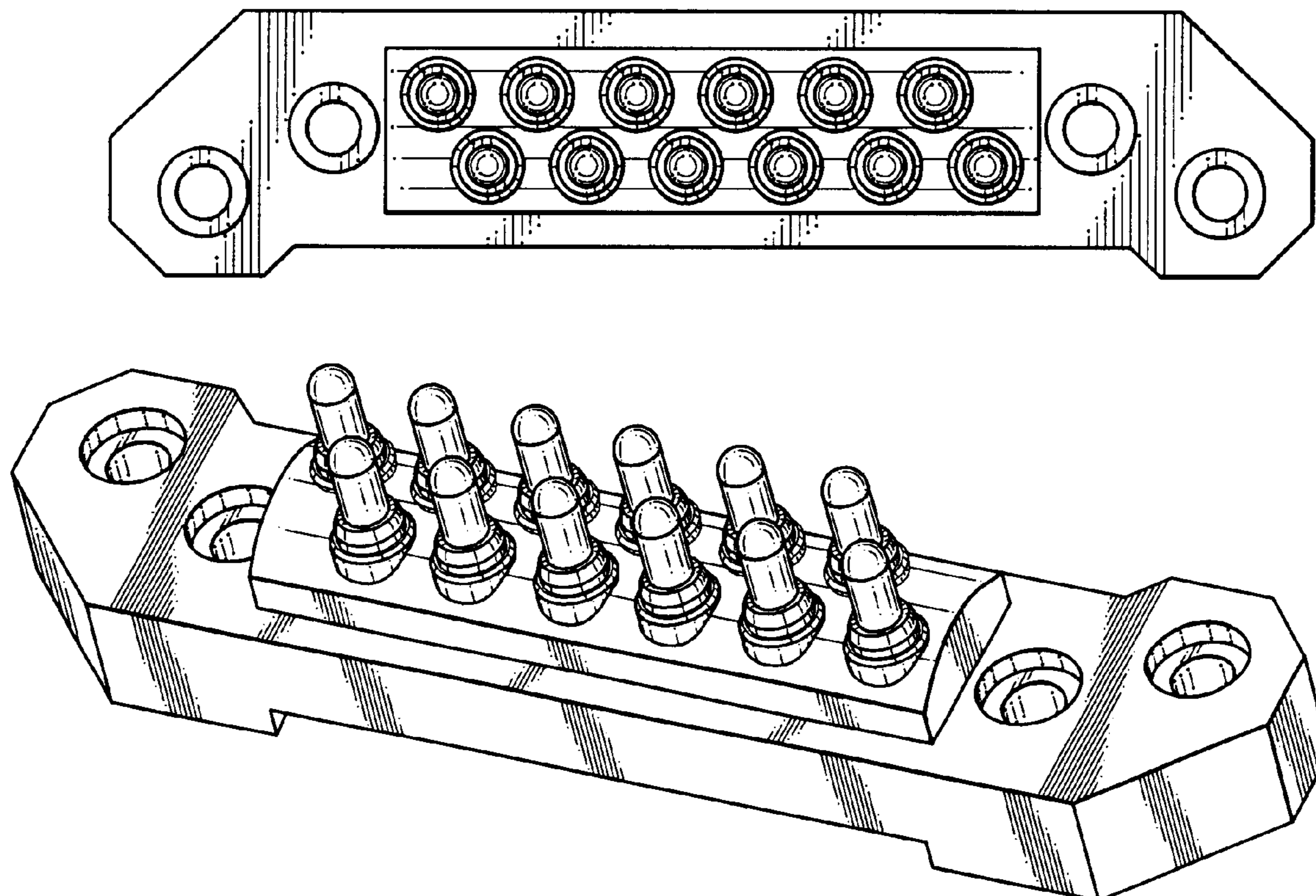
(57) **CLAIM**

The ornamental design for a mating connector, as shown and described.

DESCRIPTION

FIG. 1 is a top plan view of my new and ornamental design for a mating connector;
FIG. 2 is a side elevation view thereof;
FIG. 3 is an end view thereof;
FIG. 4 is a perspective view thereof from above; and,
FIG. 5 is a cross-sectional view taken along section line 5—5 of FIG. 2 and illustrating the counter-sunk hole formed in the mating connector.

1 Claim, 1 Drawing Sheet



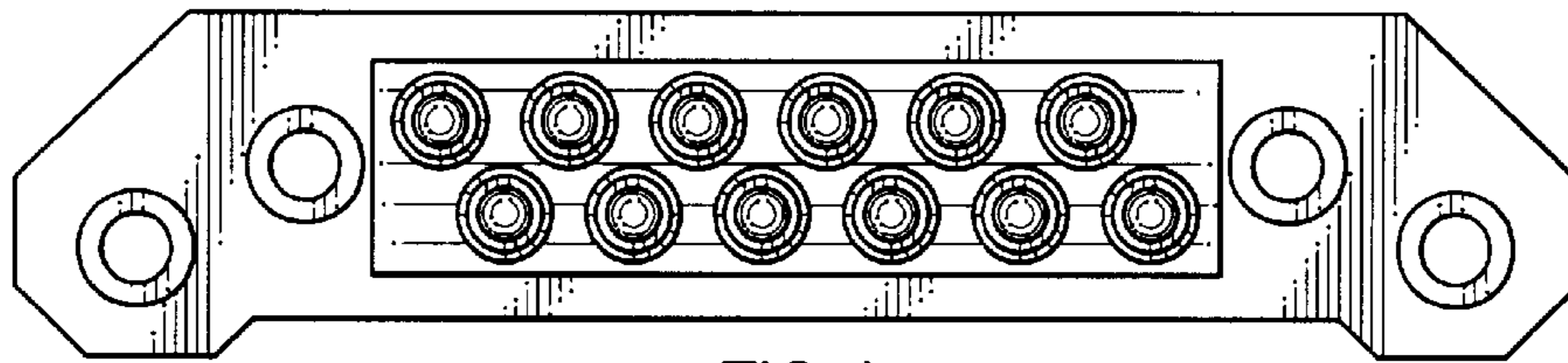


FIG. 1

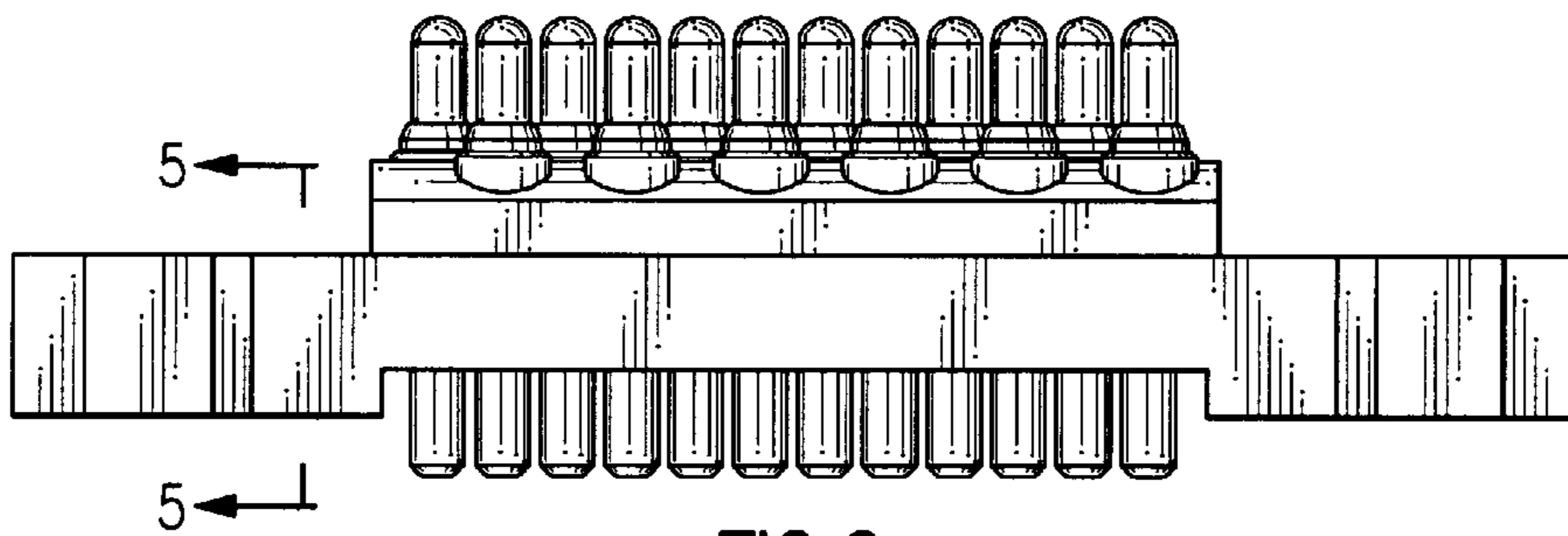


FIG. 2

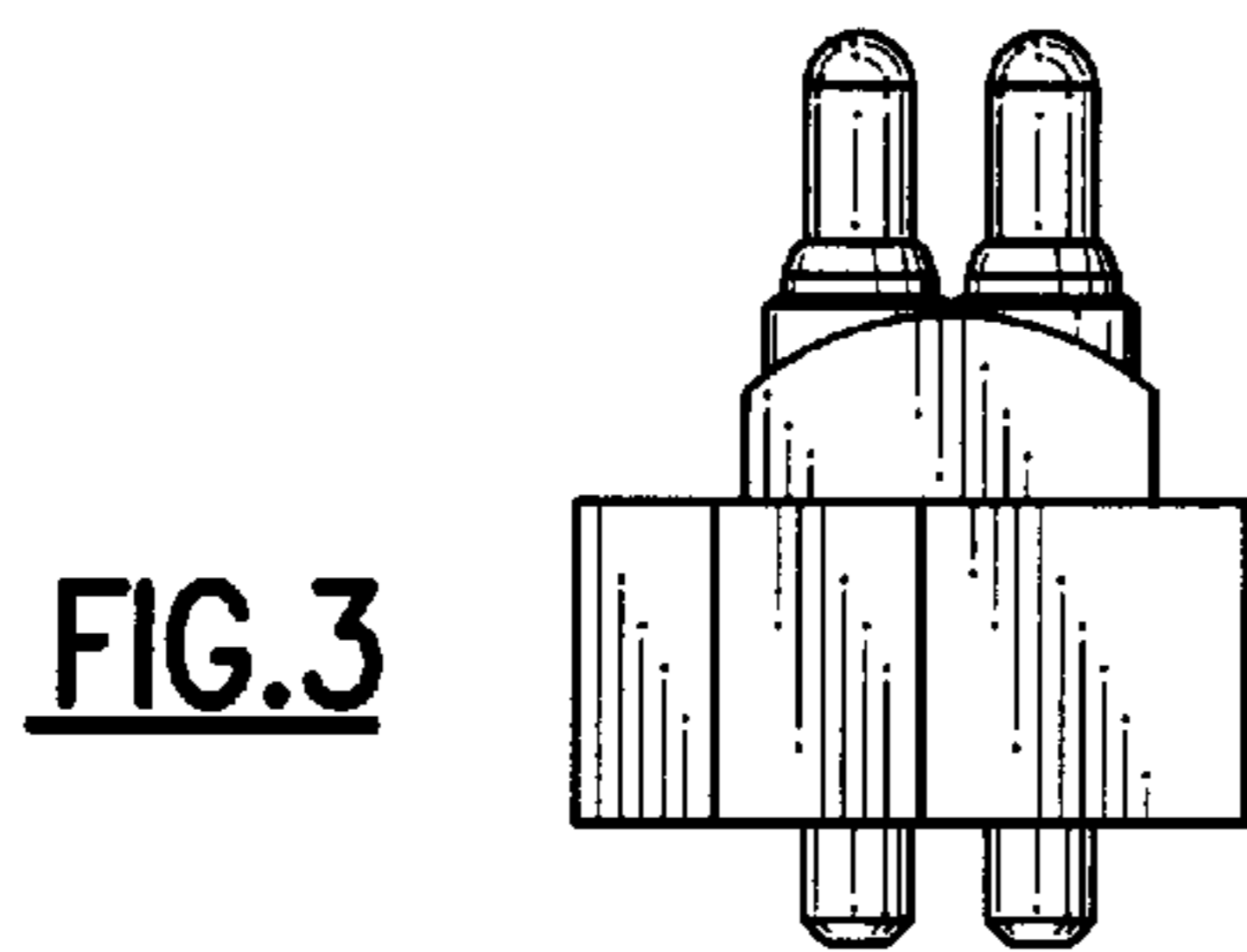


FIG. 3

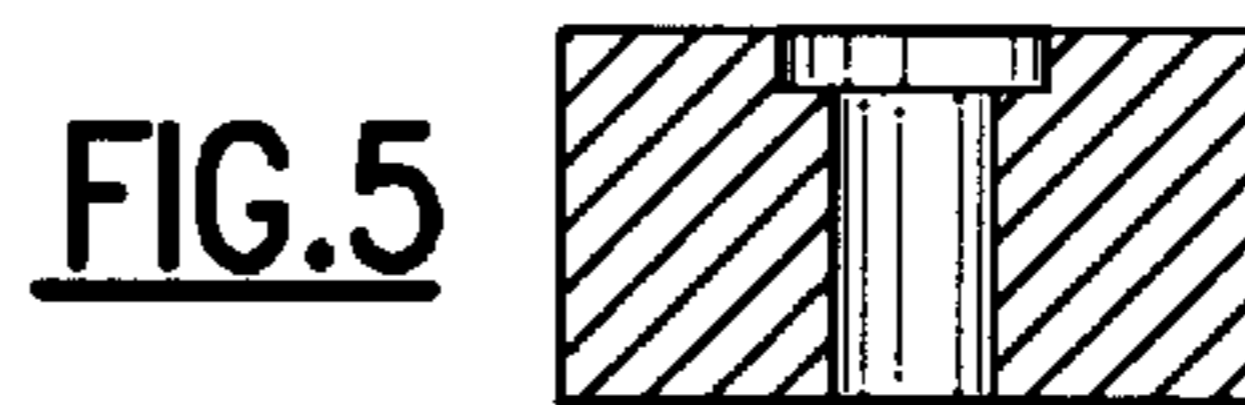


FIG. 5

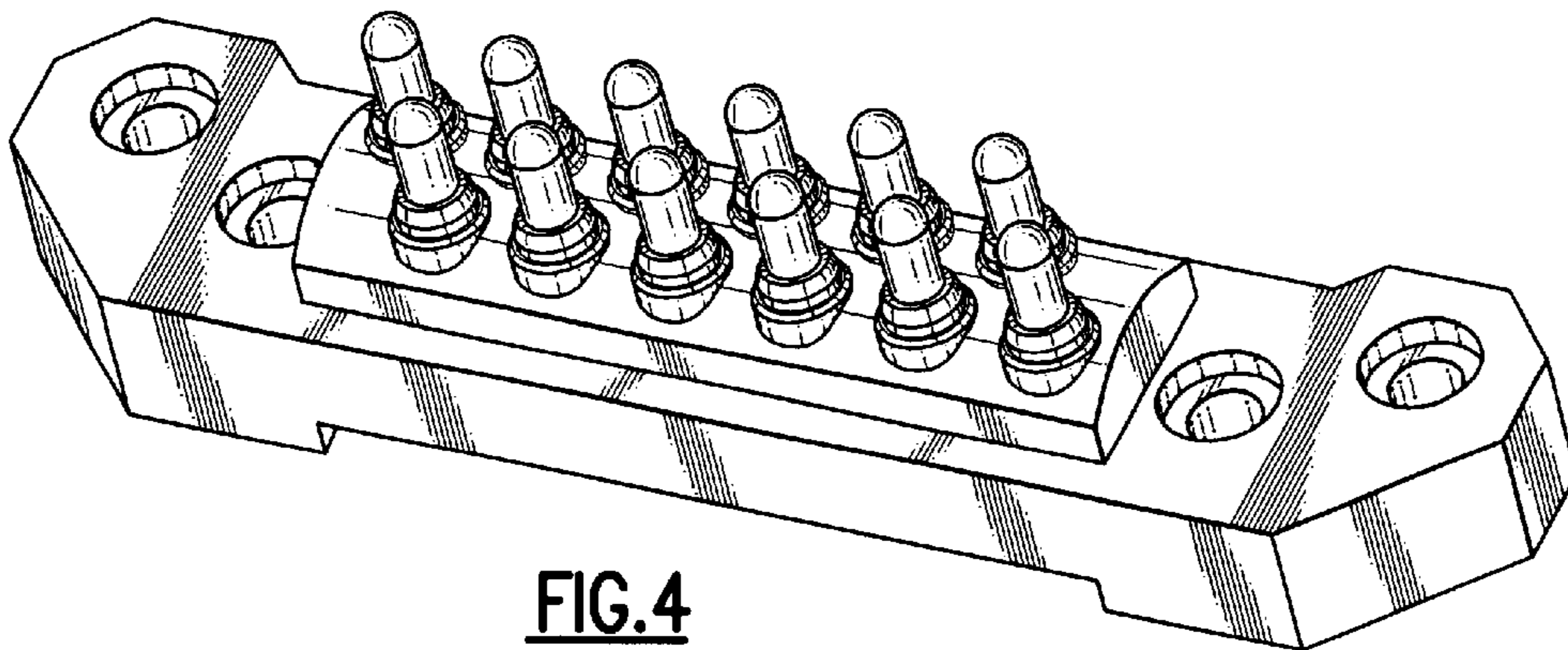


FIG. 4