

US00D493142S1

(12) **United States Design Patent** (10) **Patent No.:** **US D493,142 S**
Siu (45) **Date of Patent:** **** Jul. 20, 2004**

(54) **ASSIST PLUG**

(75) **Inventor:** **Eddie Siu, Sydney (AU)**

(73) **Assignee:** **Breville Pty Ltd., New South Wales (AU)**

(**) **Term:** **14 Years**

(21) **Appl. No.:** **29/166,022**

(22) **Filed:** **Aug. 21, 2002**

(51) **LOC (7) Cl.** **13-03**

(52) **U.S. Cl.** **D13/138.1; D13/138.2**

(58) **Field of Search** **D13/138.1, 138.2, D13/154; 439/484**

(56) **References Cited**

U.S. PATENT DOCUMENTS

2,030,115	A	*	2/1936	Muldoon	D13/138.1	X
D147,634	S	*	10/1947	Bindman	D13/138.1	
D155,150	S	*	9/1949	Gossard	D13/138.1	
D155,151	S	*	9/1949	Gossard	D13/138.1	
D155,502	S	*	10/1949	Gossard	D13/138.1	
D159,196	S	*	9/1950	Englar	D13/138.1	
D244,297	S	*	5/1977	Stropkay	D13/138.1	
D345,342	S	*	3/1994	Fox	D13/138.1	
5,516,305	A	*	5/1996	Haluska	439/484	

* cited by examiner

Primary Examiner—Joel Sincavage

(74) *Attorney, Agent, or Firm*—Dority & Manning, P.A.

(57) **CLAIM**

The ornamental design for an assist plug, as shown and described.

DESCRIPTION

FIG. 1 is a perspective view of an assist plug from the top, front and left side according to the present design;

FIG. 2 is a perspective view thereof from top, rear and right side;

FIG. 3 is a front elevational view thereof;

FIG. 4 is a rear elevational view thereof;

FIG. 5 is a right side elevational view thereof;

FIG. 6 is a top plan view thereof;

FIG. 7 is a left side elevational view thereof;

FIG. 8 is a bottom plan view thereof;

FIG. 9 is a perspective view showing a second embodiment of an assist plug from the top, front and left side according to the present design;

FIG. 10 is a perspective view thereof from top, rear and right side;

FIG. 11 is a front elevational view thereof;

FIG. 12 is a rear elevational view thereof;

FIG. 13 is a right side elevational view thereof;

FIG. 14 is a top plan view thereof;

FIG. 15 is a left side elevational view thereof;

FIG. 16 is a bottom plan view thereof;

FIG. 17 is a perspective view showing a third embodiment of an assist plug from the top, front and left side according to the present design;

FIG. 18 is a perspective view thereof from top, rear and right side;

FIG. 19 is a front elevational view thereof;

FIG. 20 is a rear elevational view thereof;

FIG. 21 is a right side elevational view thereof;

FIG. 22 is a top plan view thereof;

FIG. 23 is a left side elevational view thereof;

FIG. 24 is a bottom plan view thereof;

FIG. 25 is a perspective view showing a fourth embodiment of an assist plug from the top, front and left side according to the present design;

FIG. 26 is a perspective view thereof from top, rear and right side;

FIG. 27 is a front elevational view thereof;

FIG. 28 is a rear elevational view thereof;

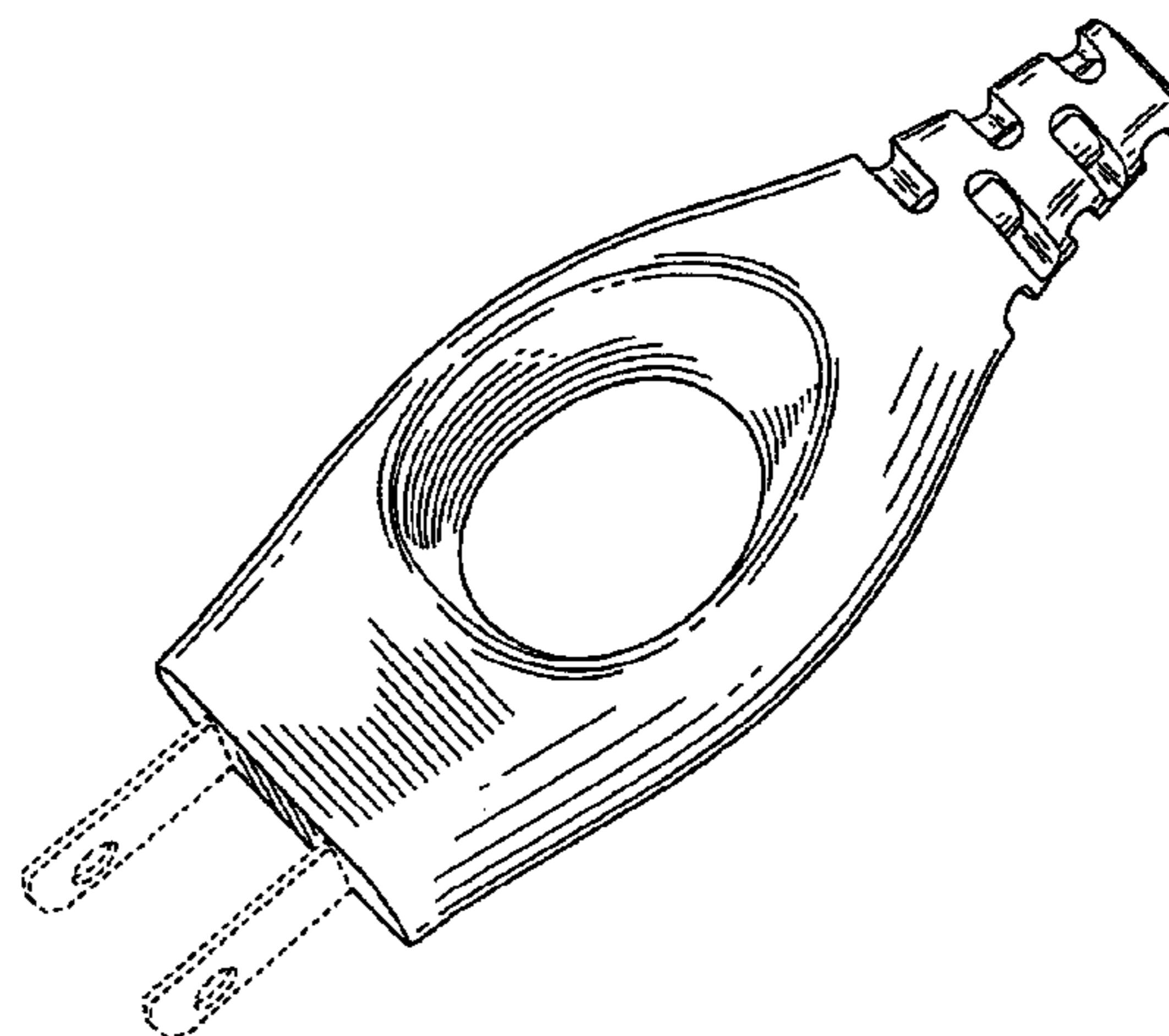
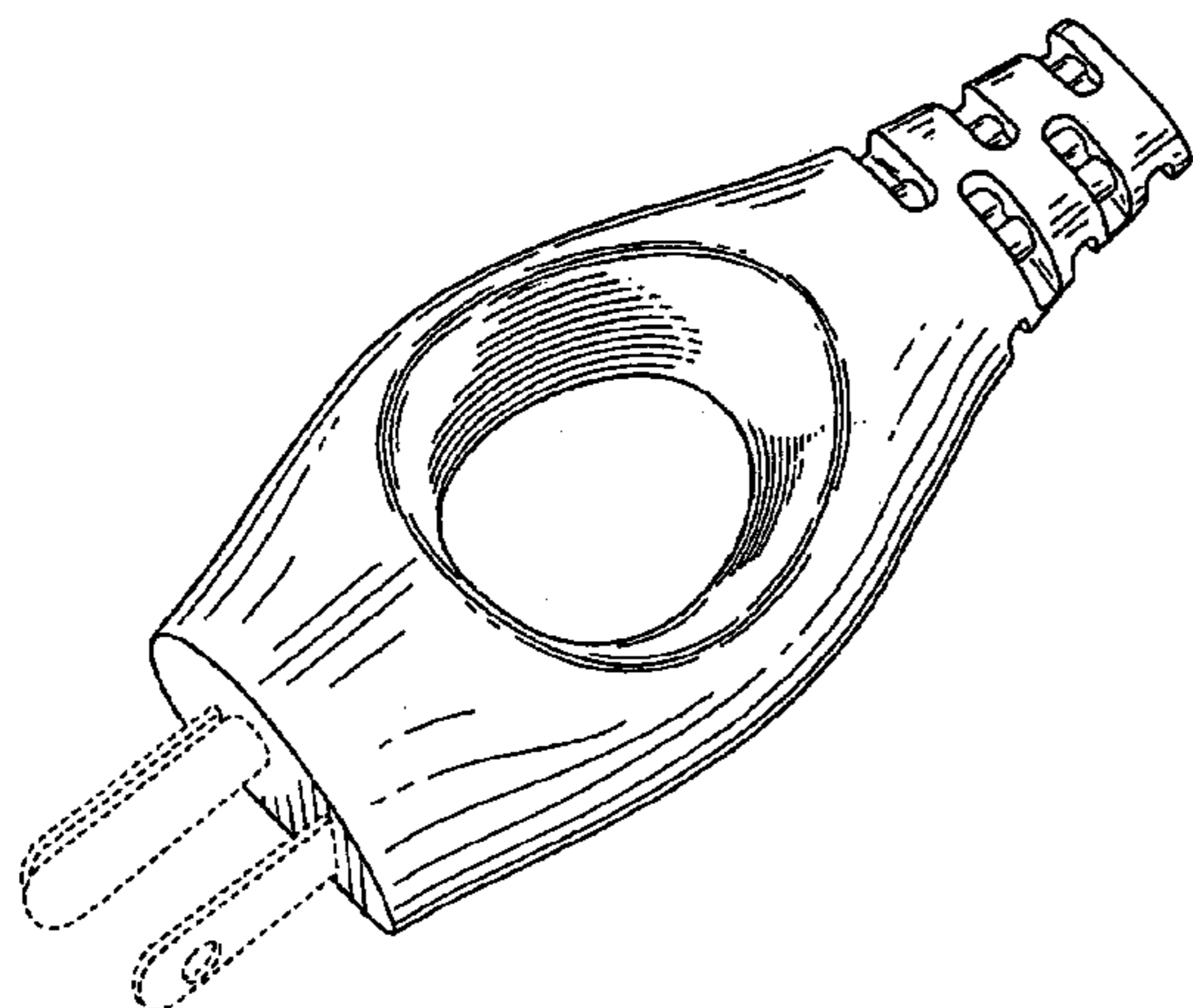
FIG. 29 is a right side elevational view thereof;

FIG. 30 is a top plan view thereof;

FIG. 31 is a left side elevational view thereof; and,

FIG. 32 is a bottom plan view thereof.

1 Claim, 16 Drawing Sheets



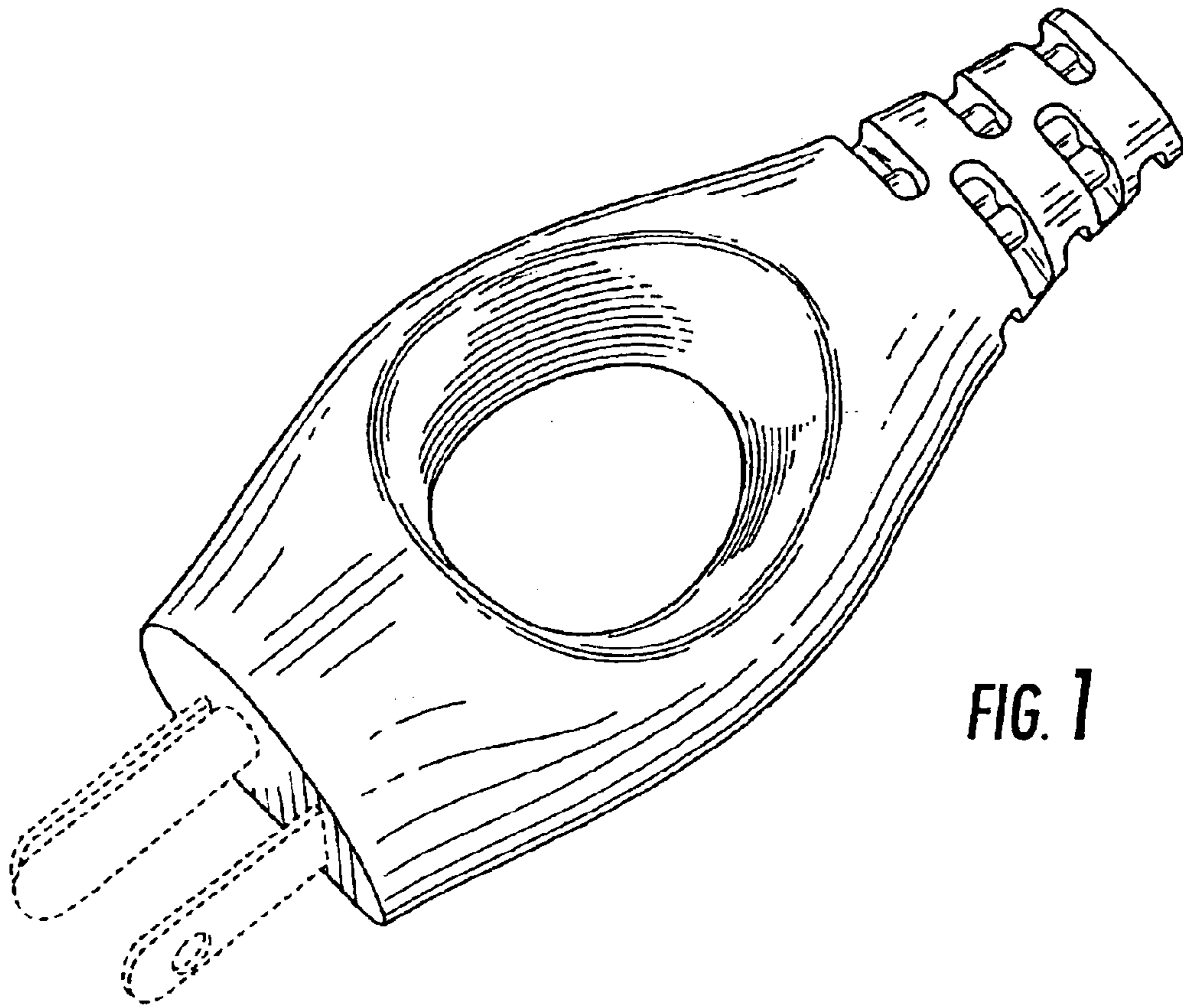


FIG. 1

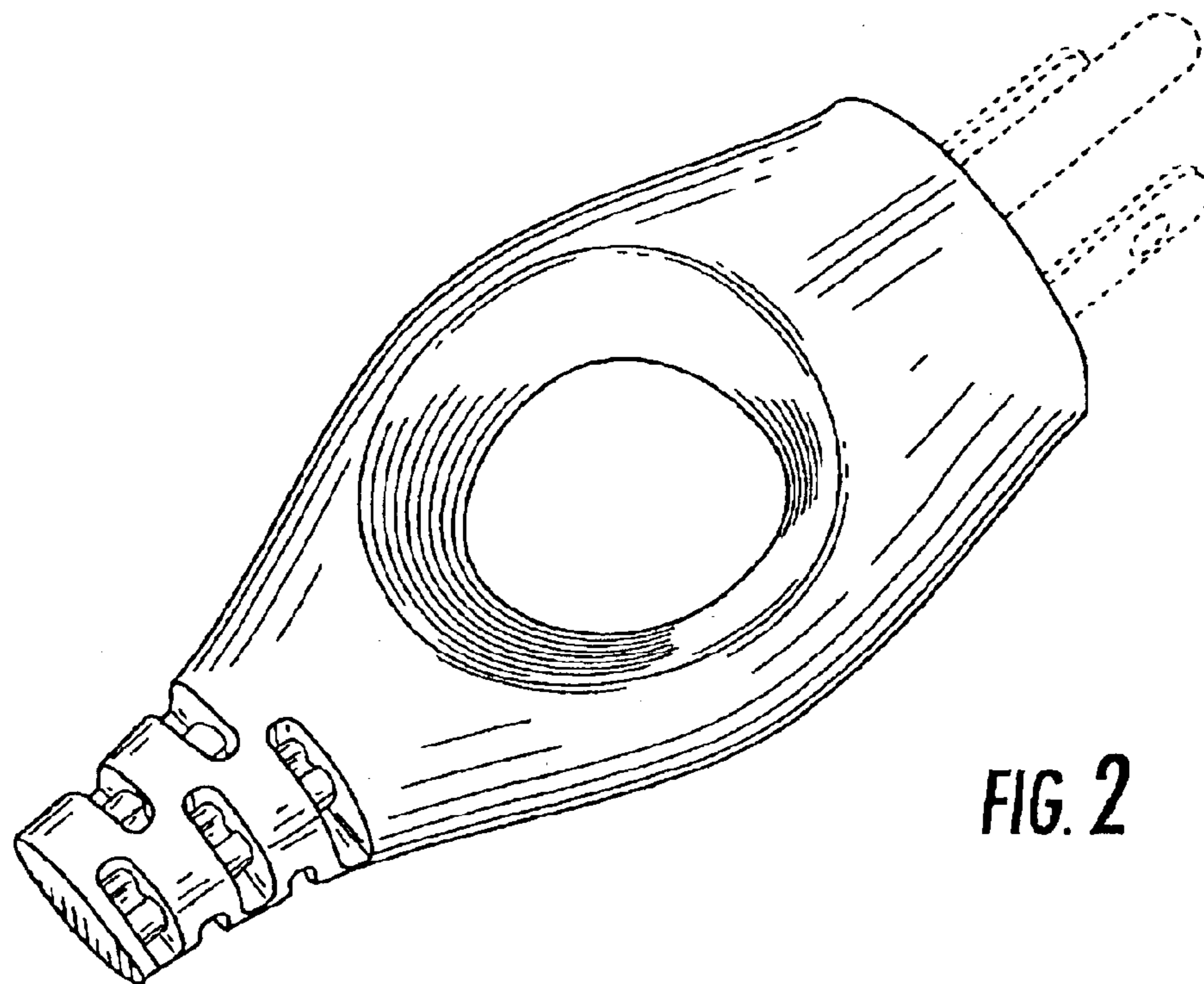


FIG. 2

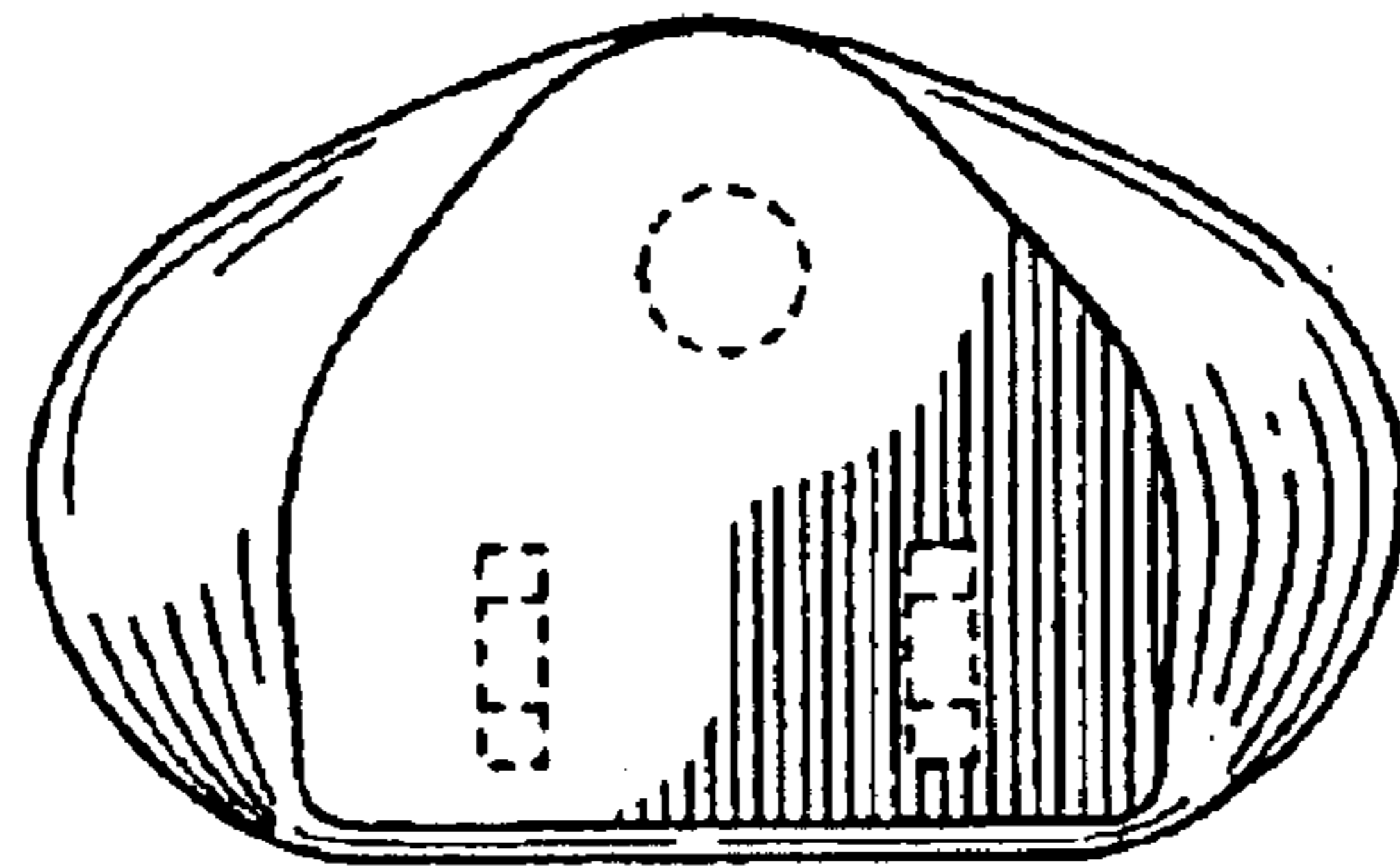


FIG. 3

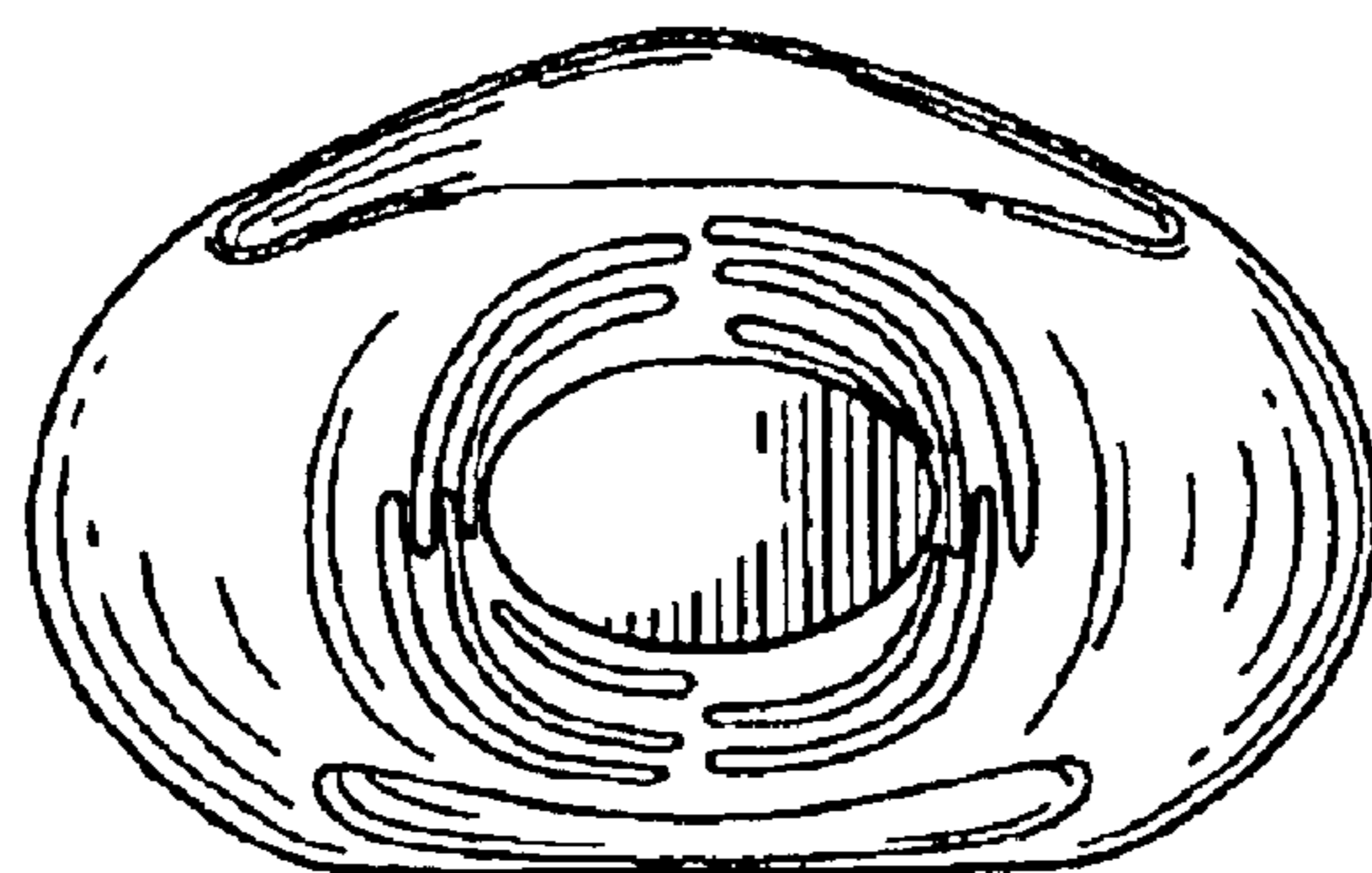


FIG. 4

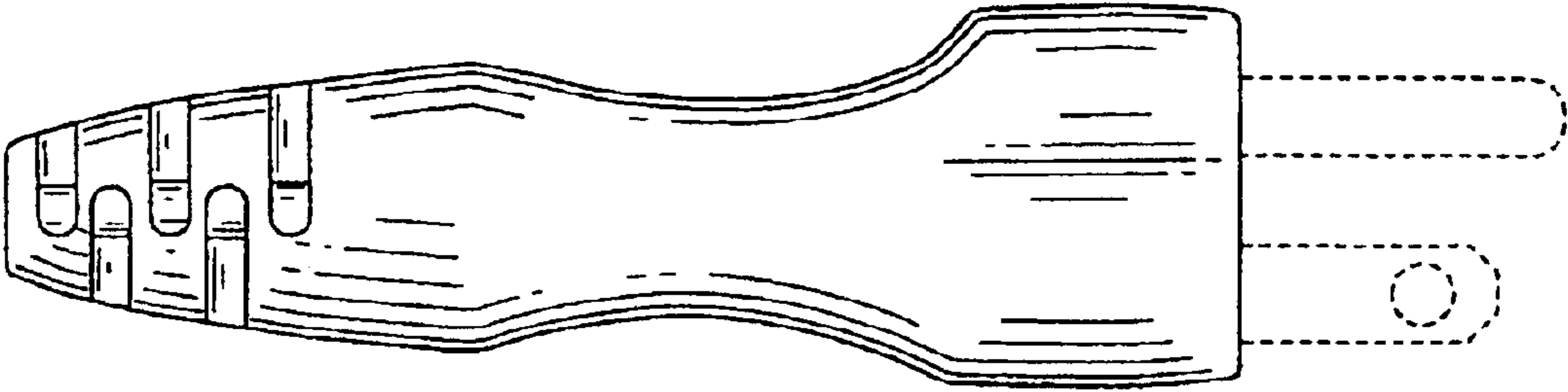


FIG. 5

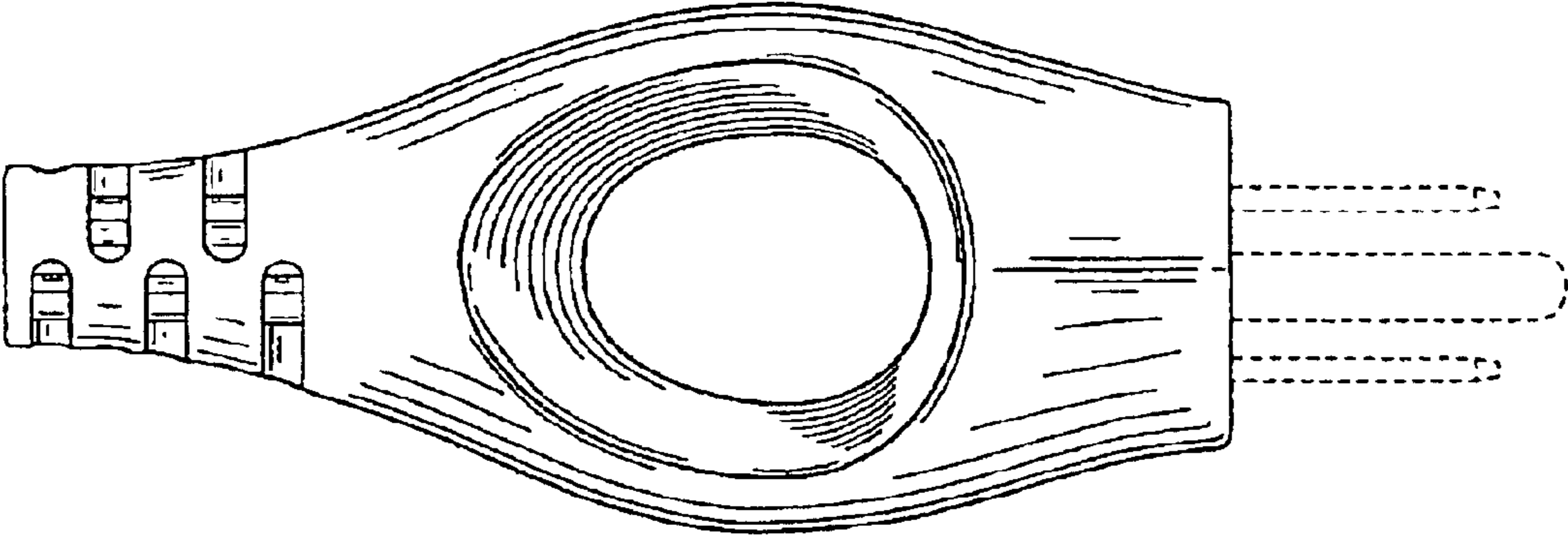


FIG. 6

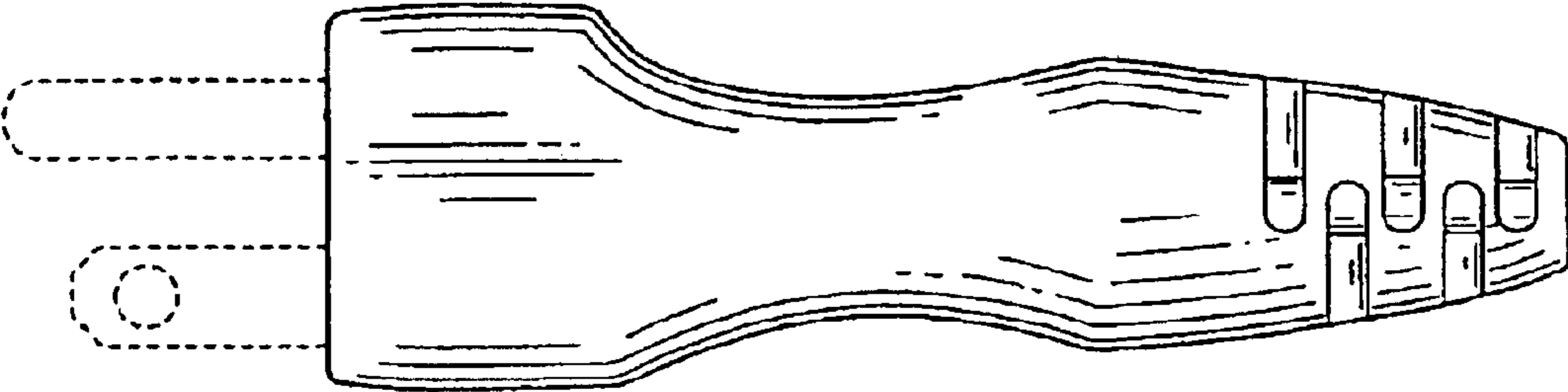


FIG. 7

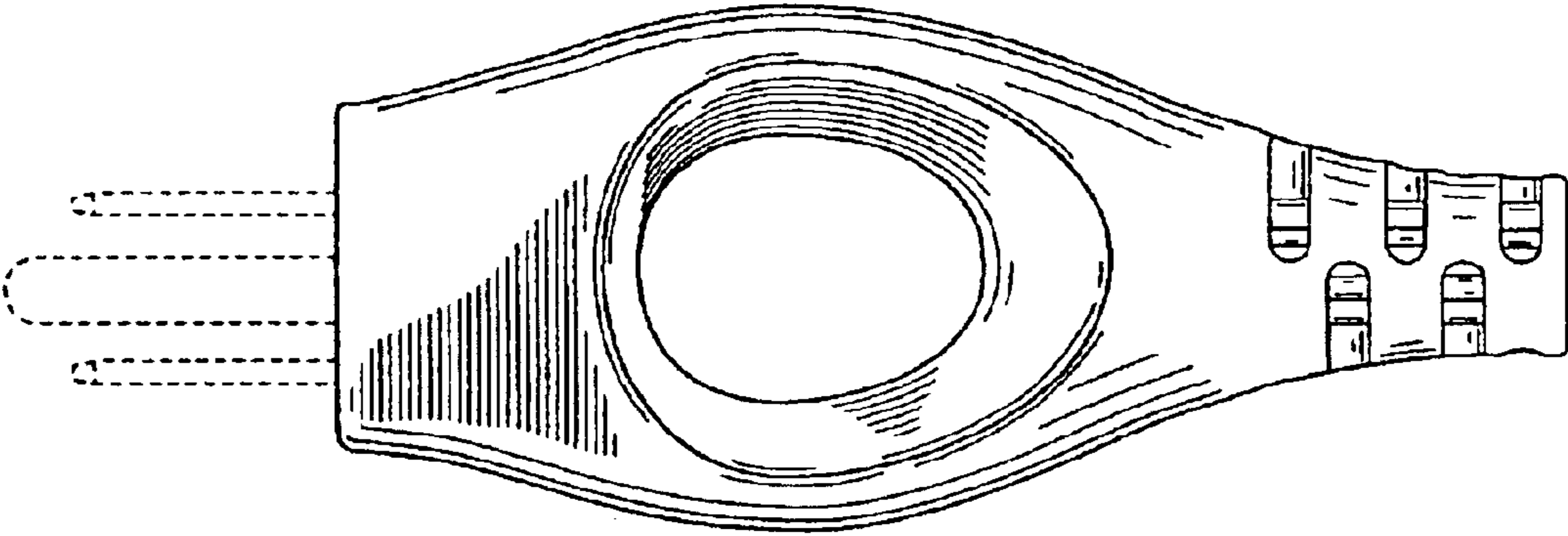


FIG. 8

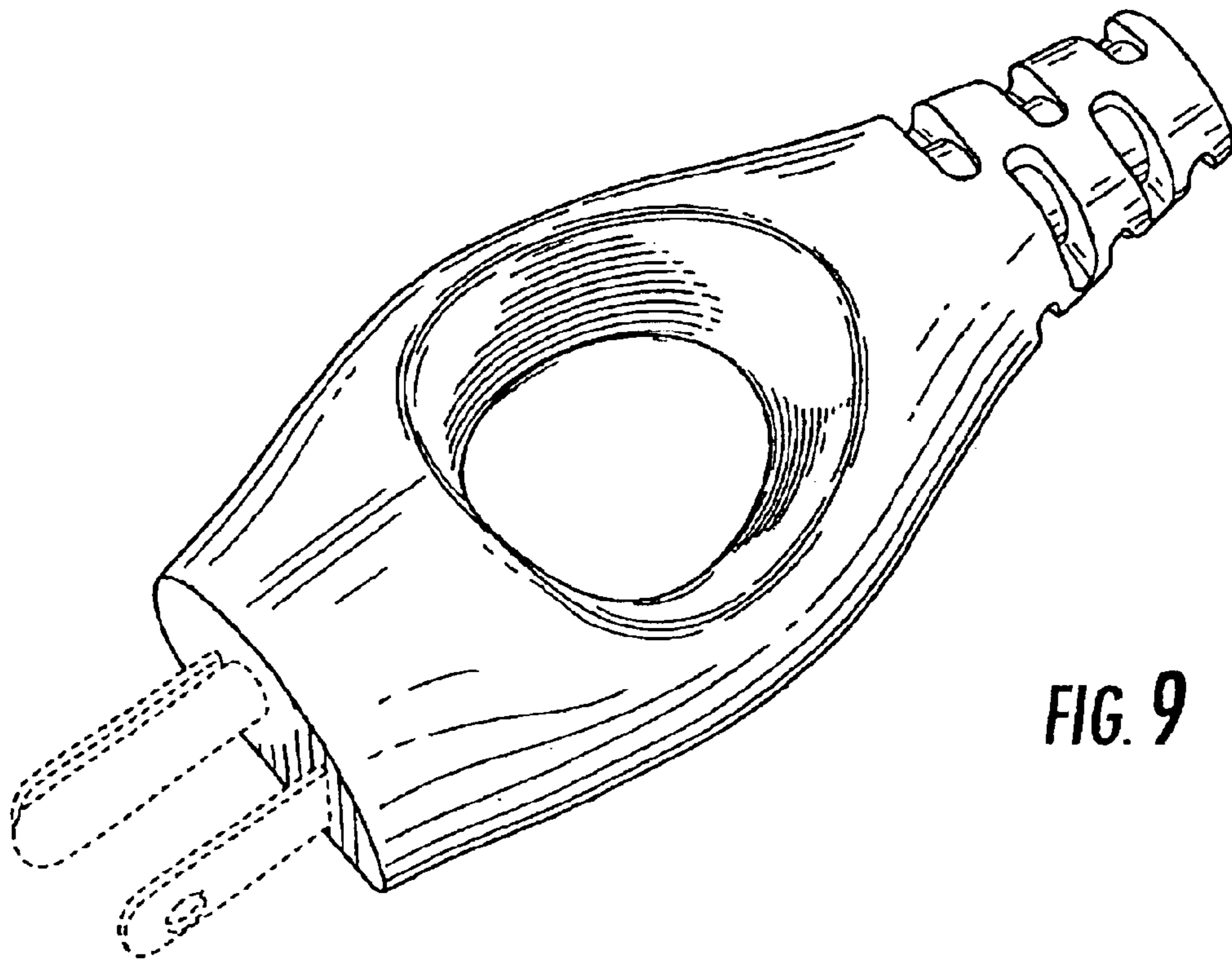


FIG. 9

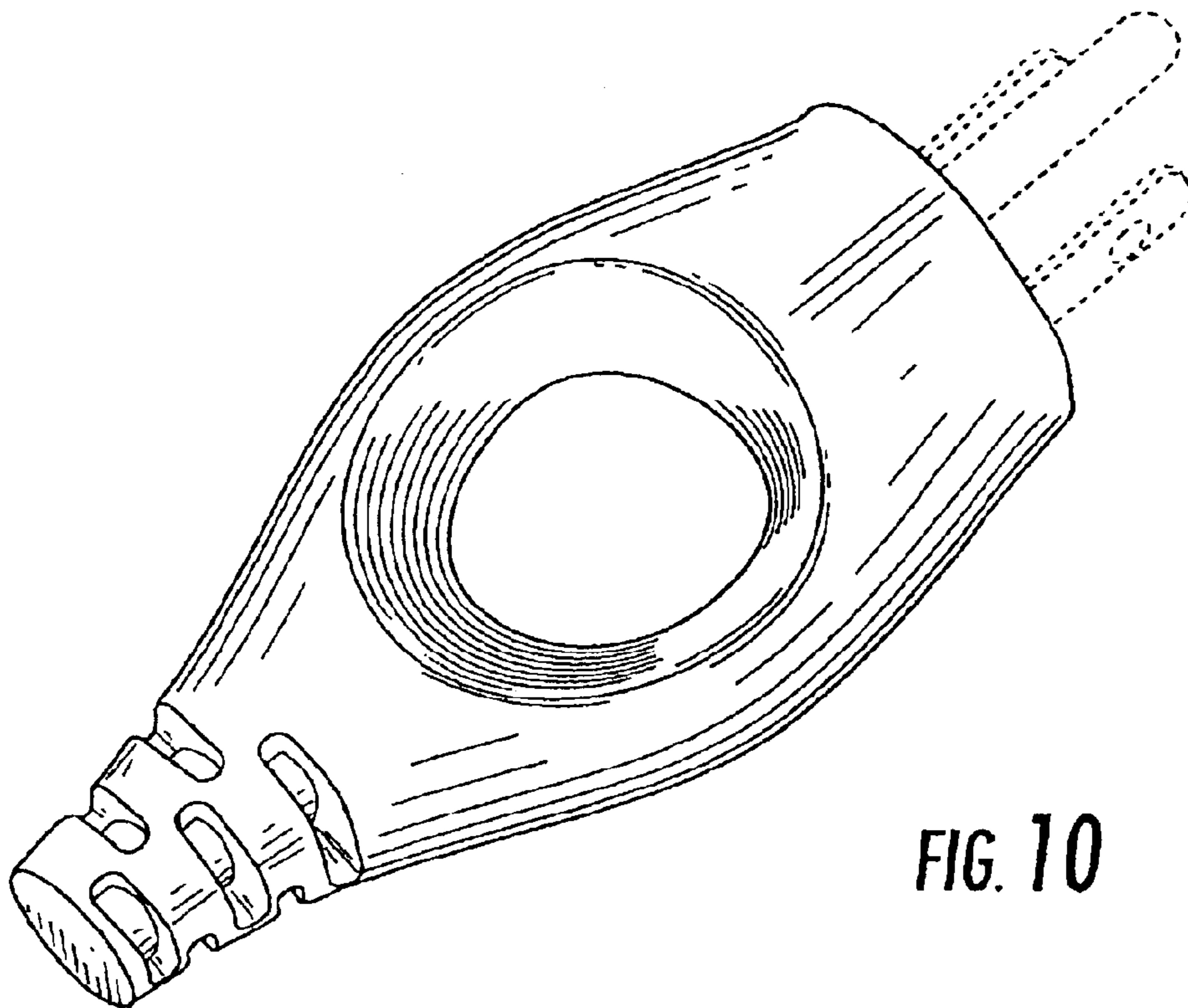


FIG. 10

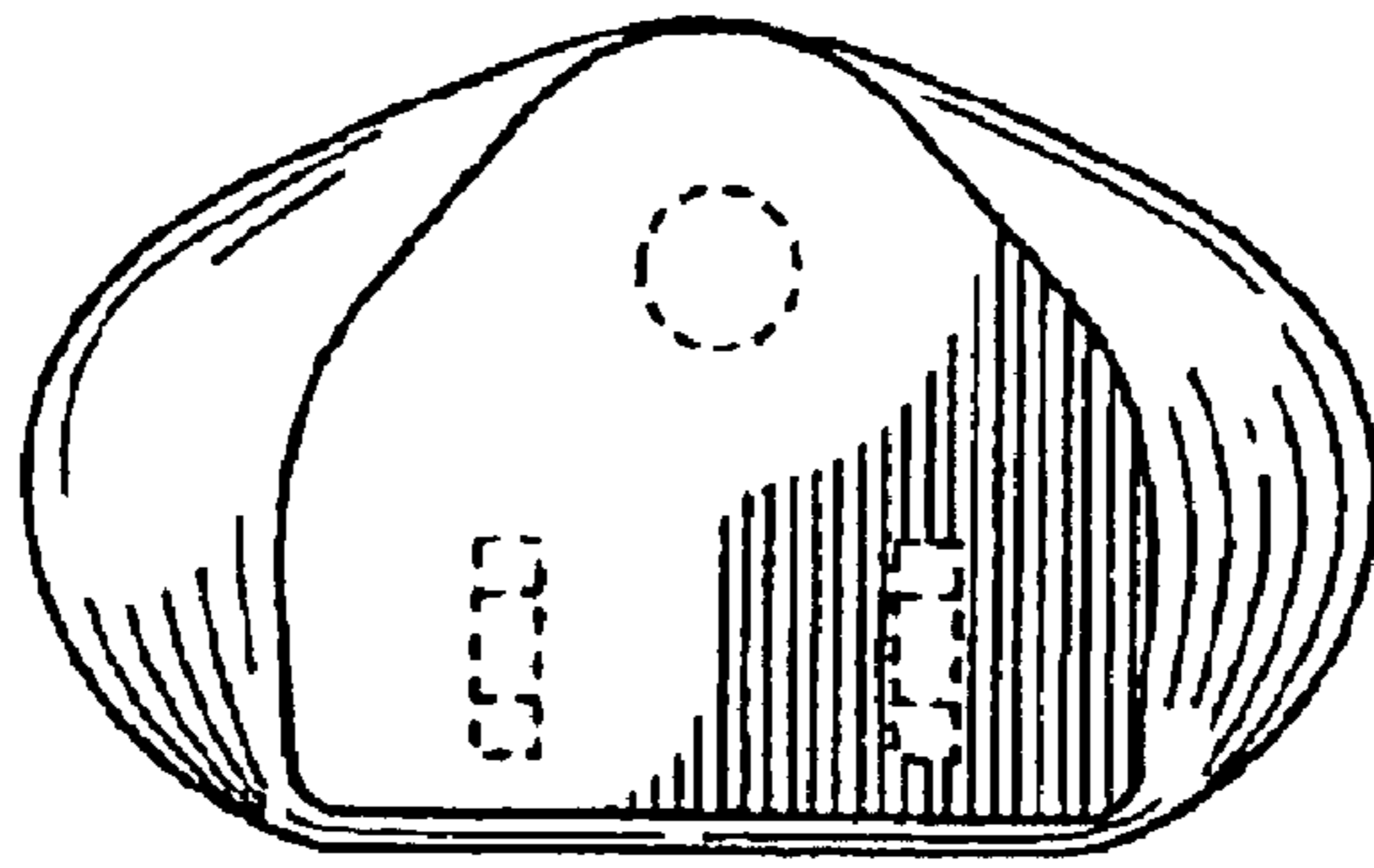


FIG. 11

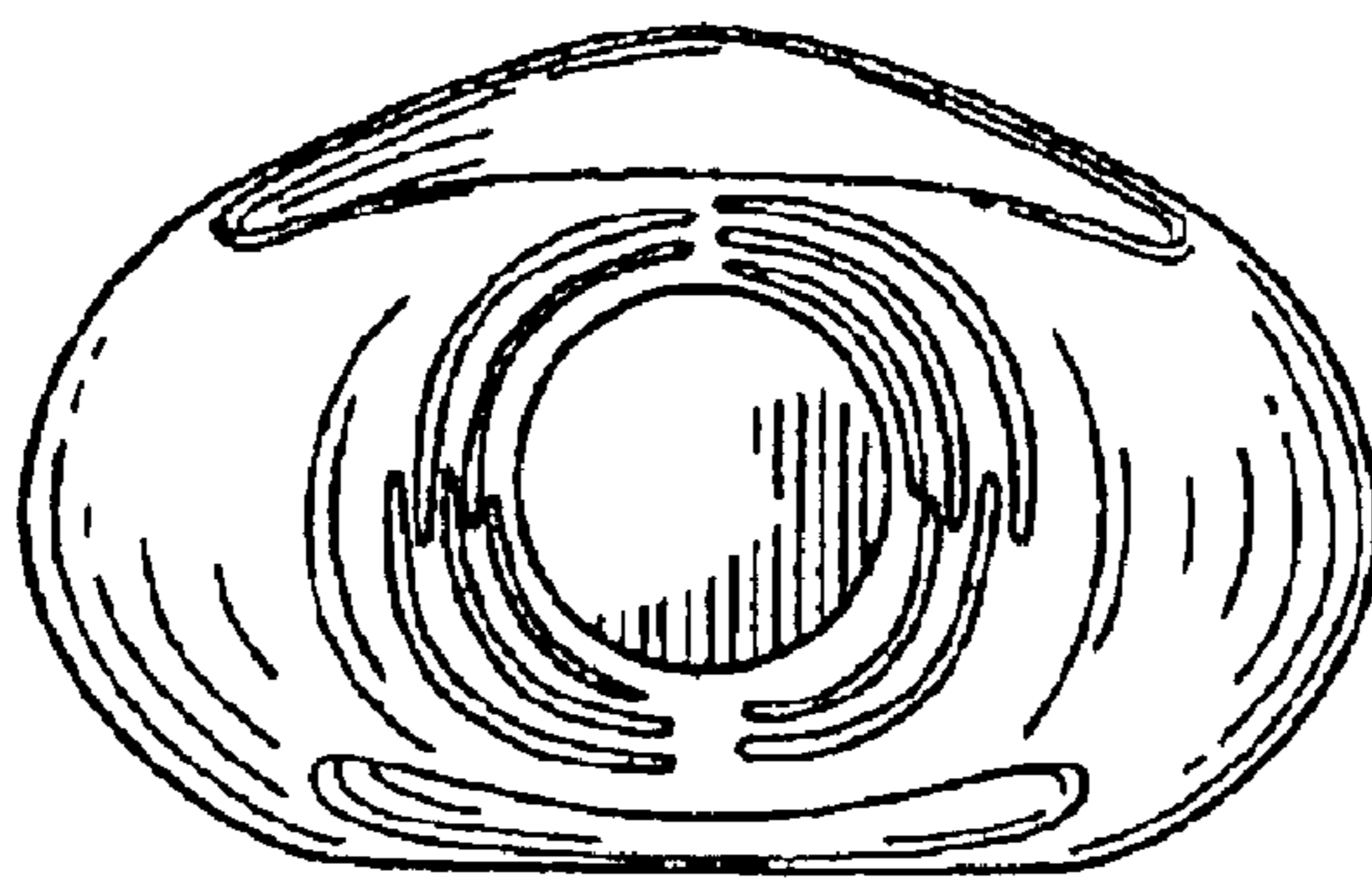


FIG. 12

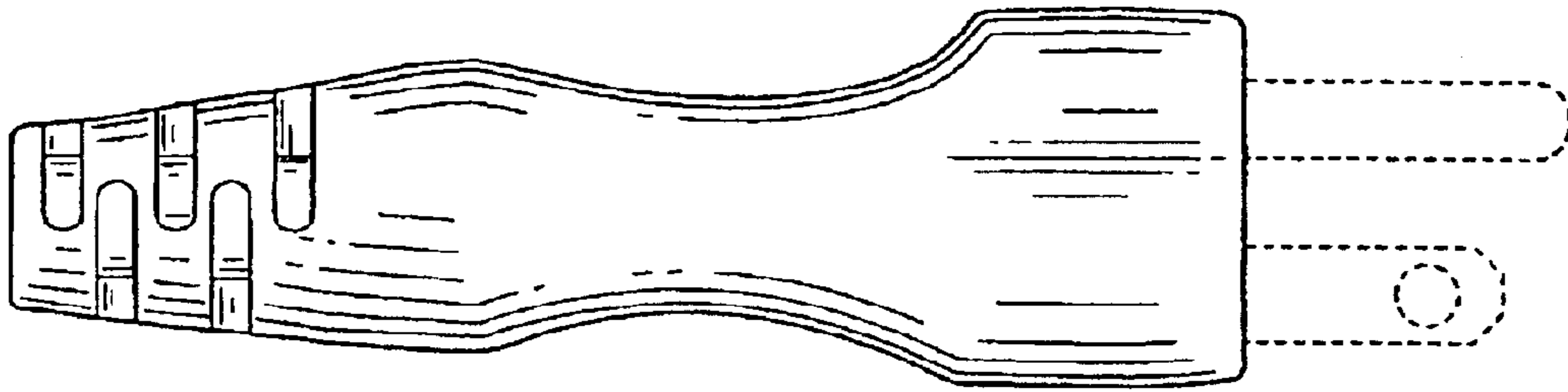


FIG. 13

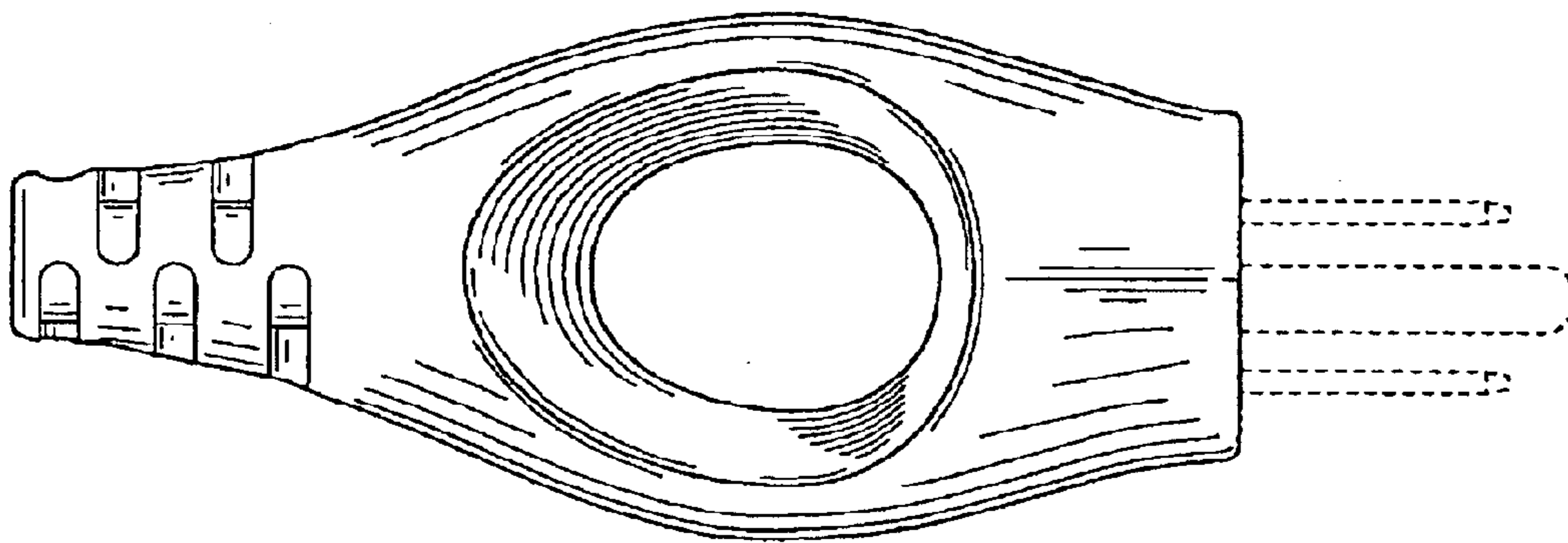


FIG. 14

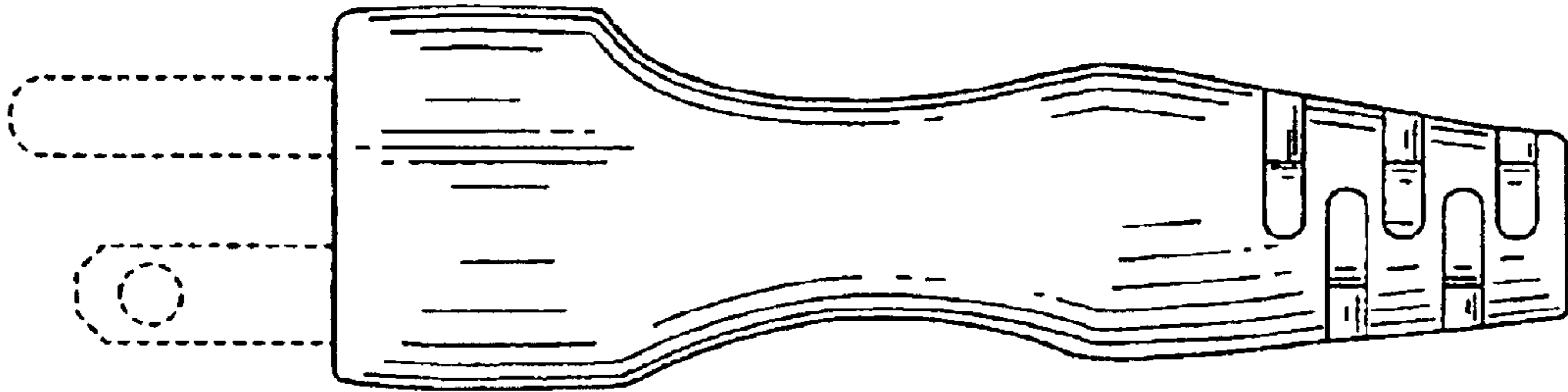


FIG. 15

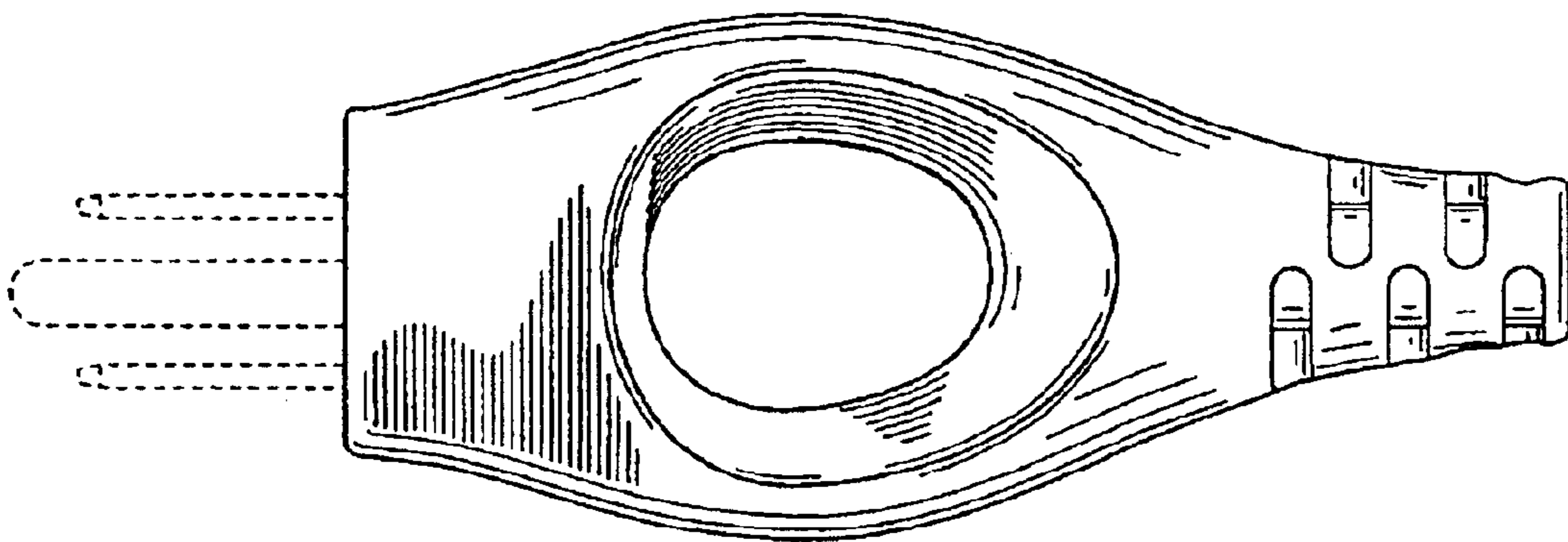


FIG. 16

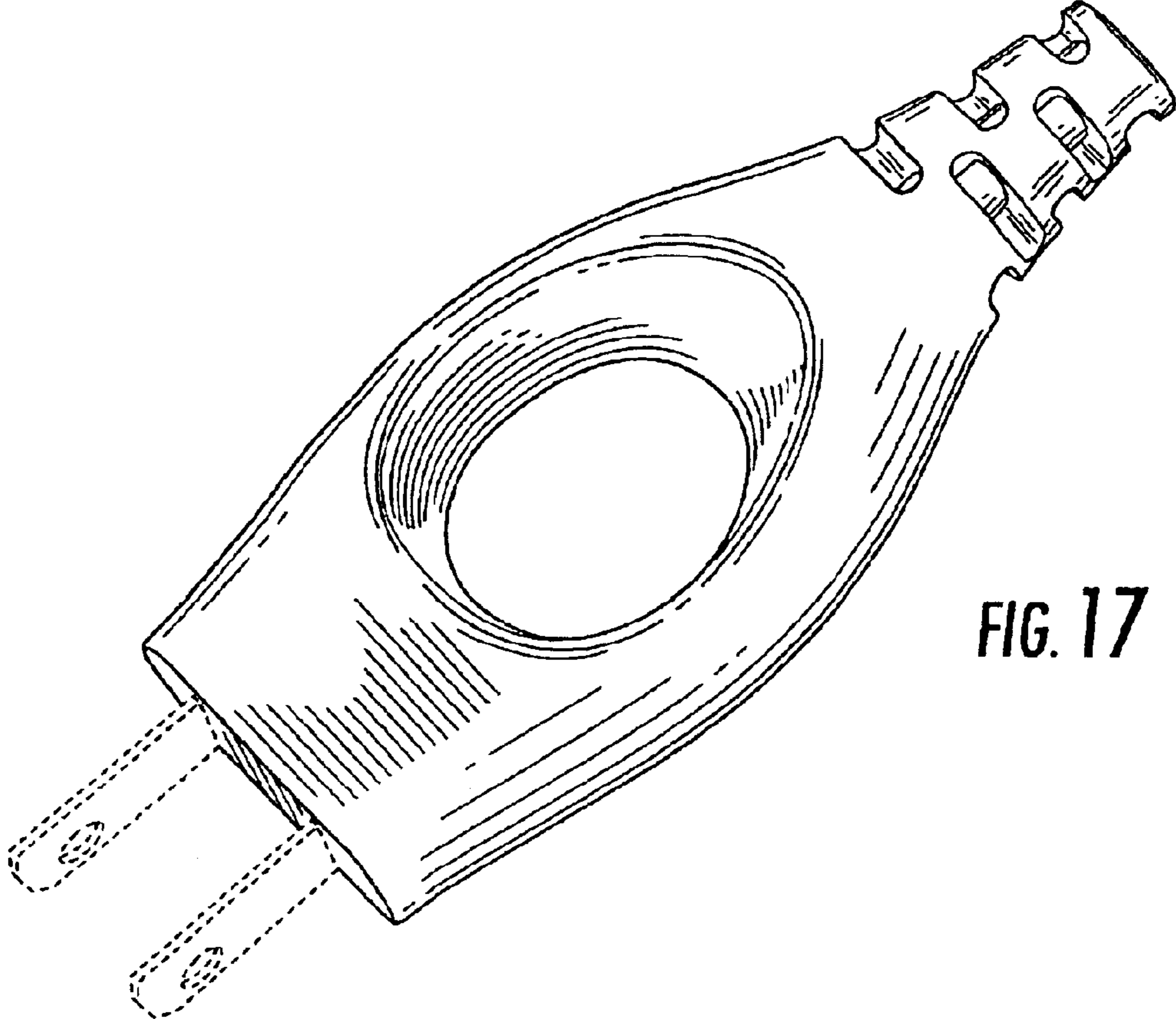


FIG. 17

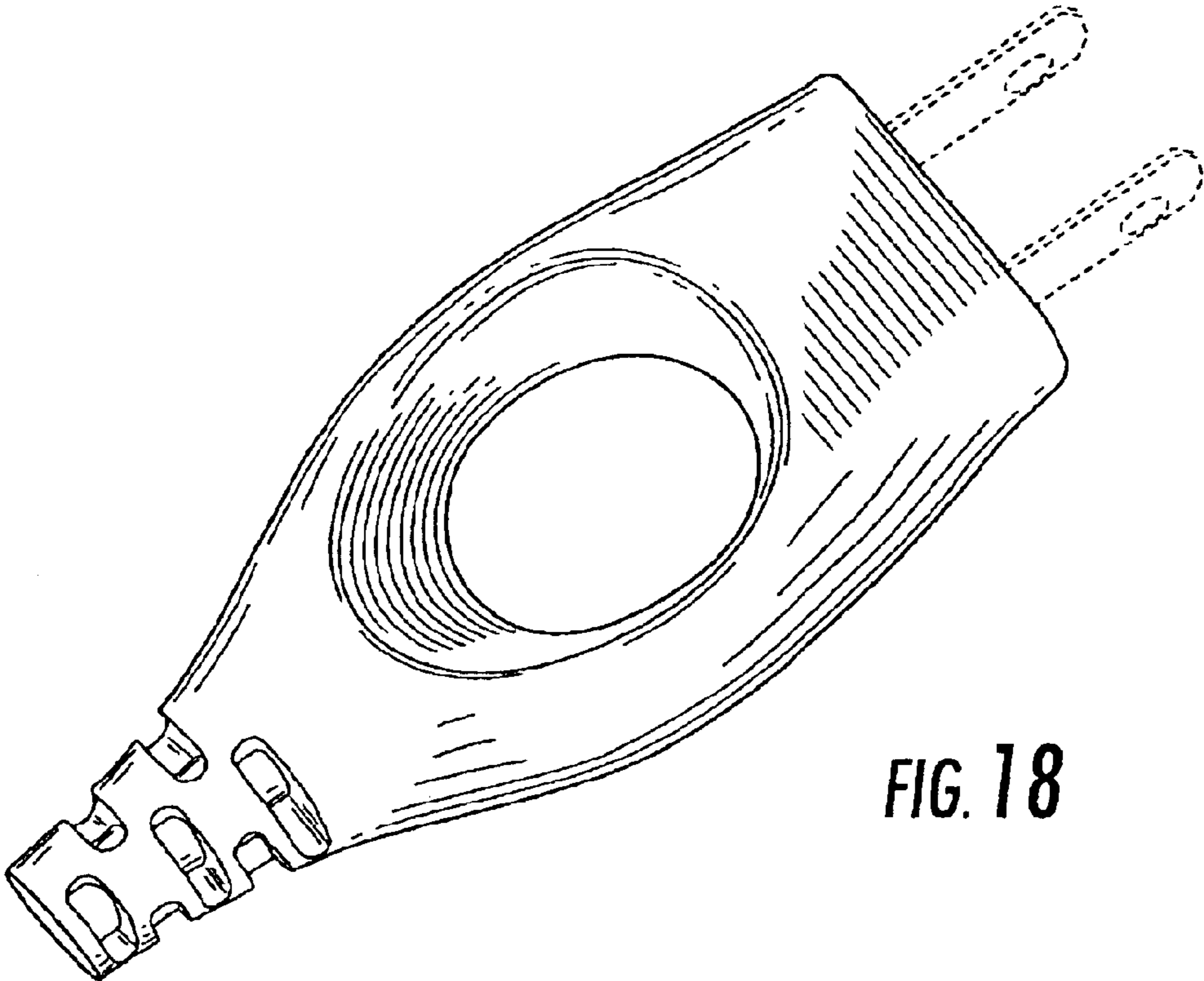


FIG. 18

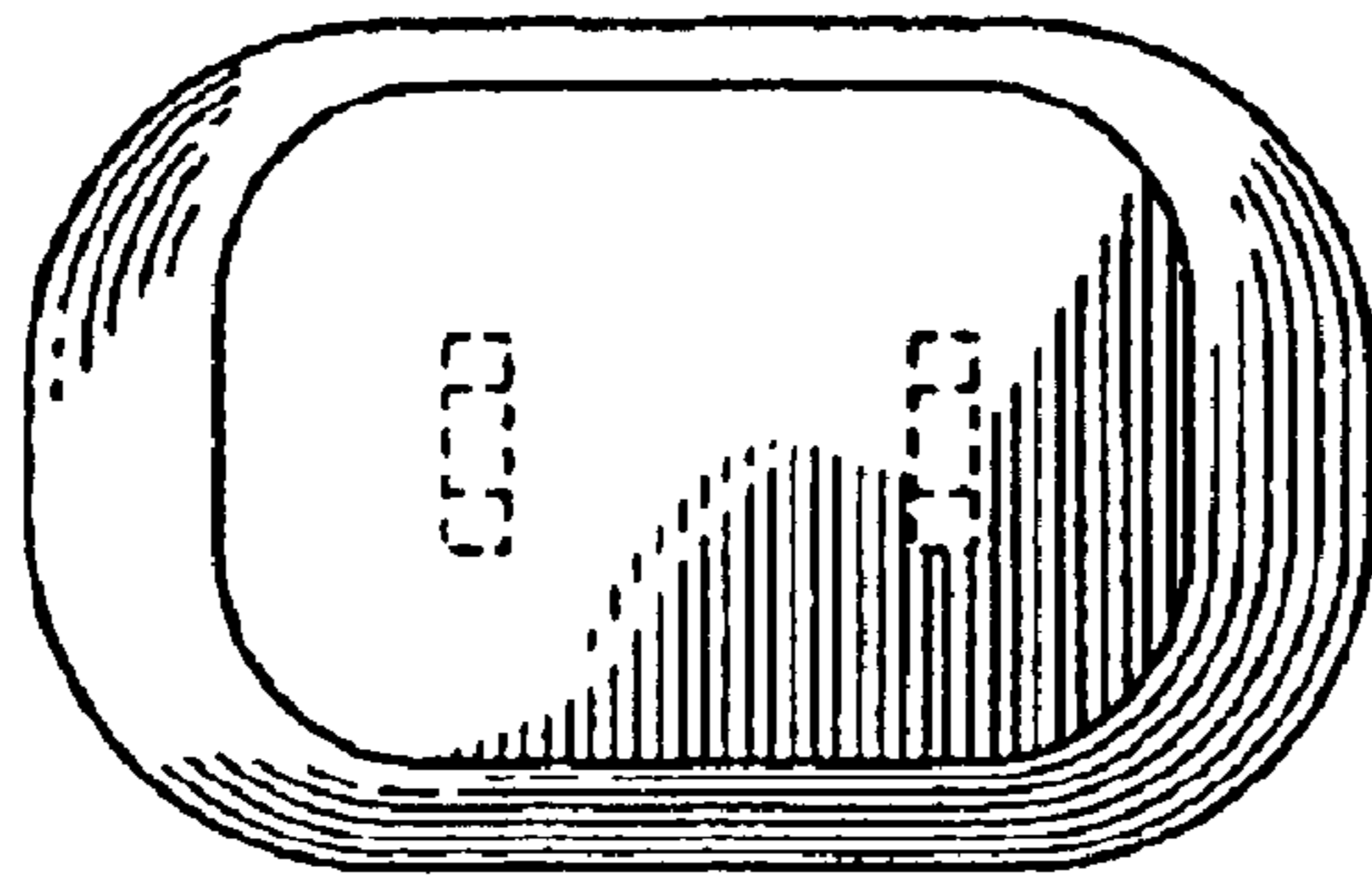


FIG. 19

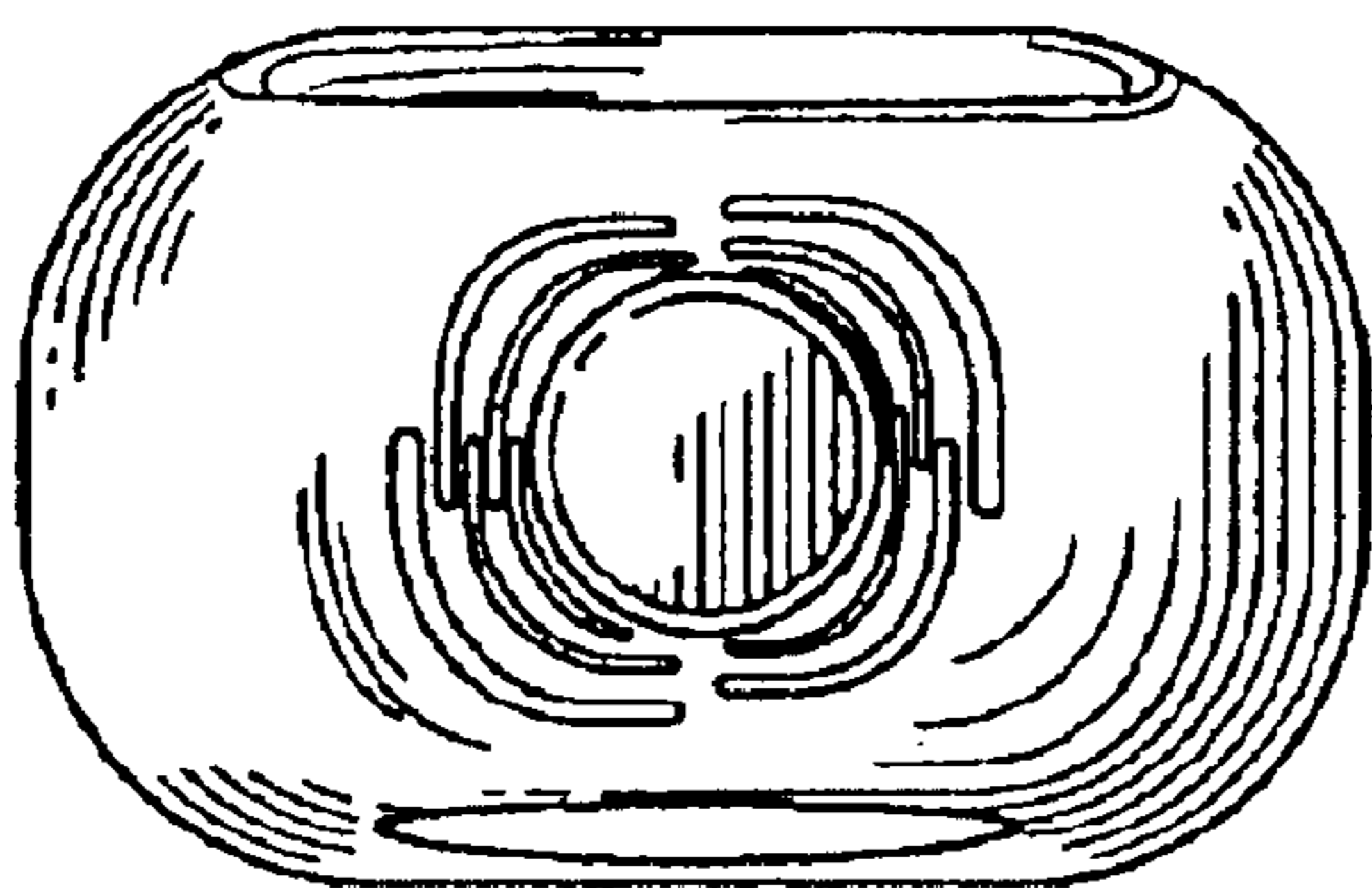


FIG. 20

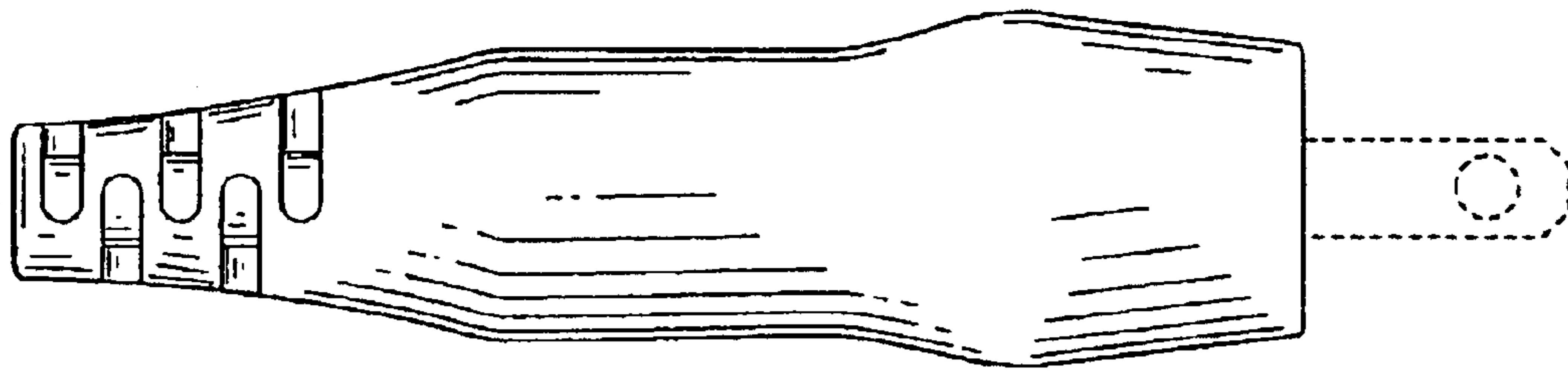


FIG. 21

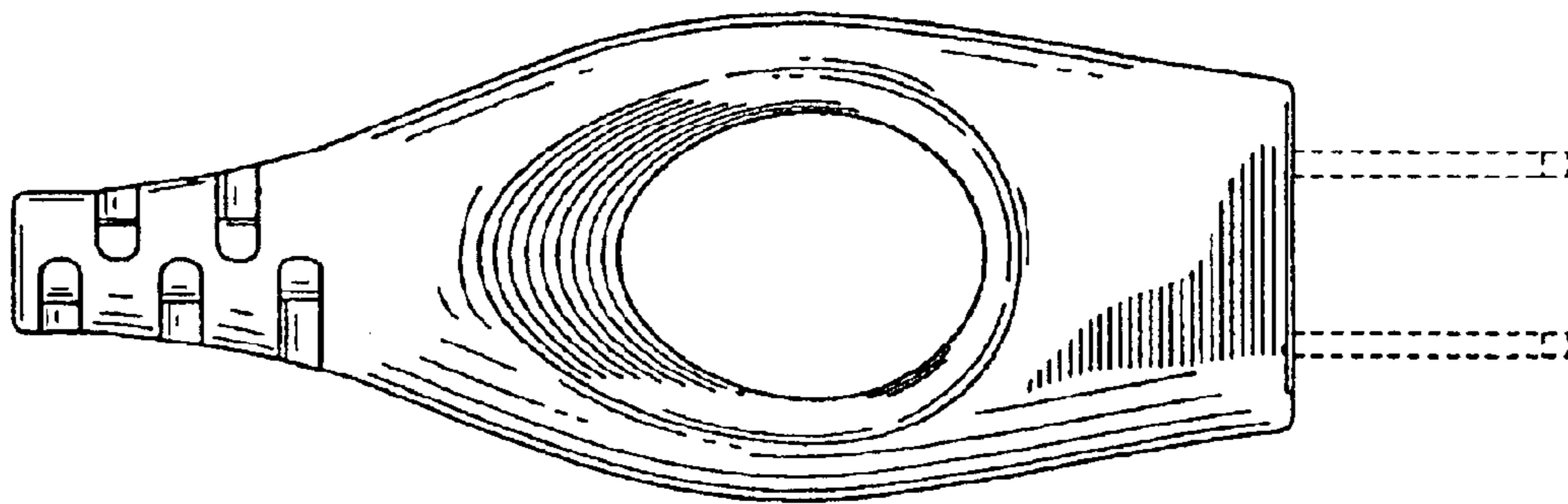


FIG. 22

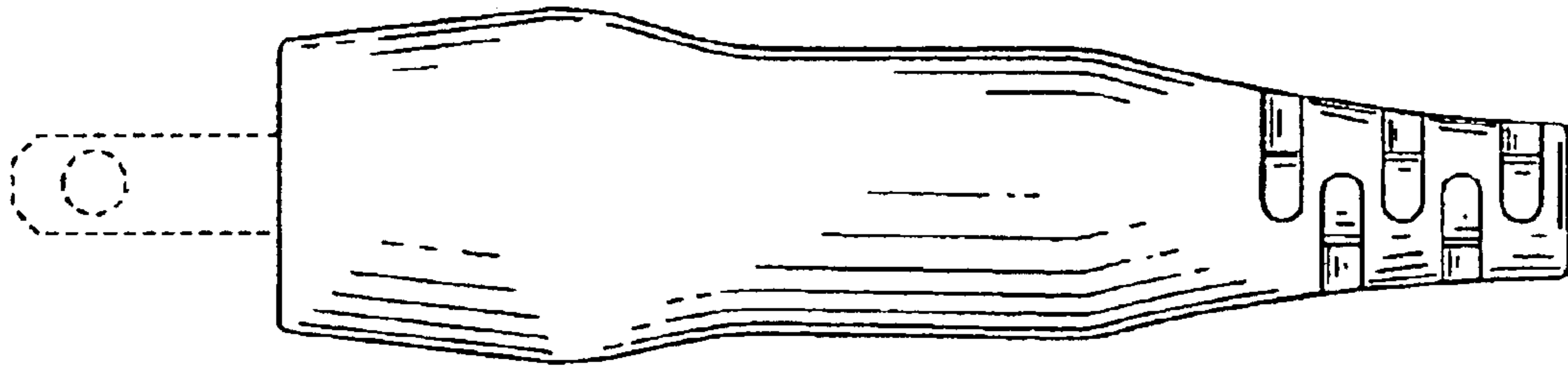


FIG. 23

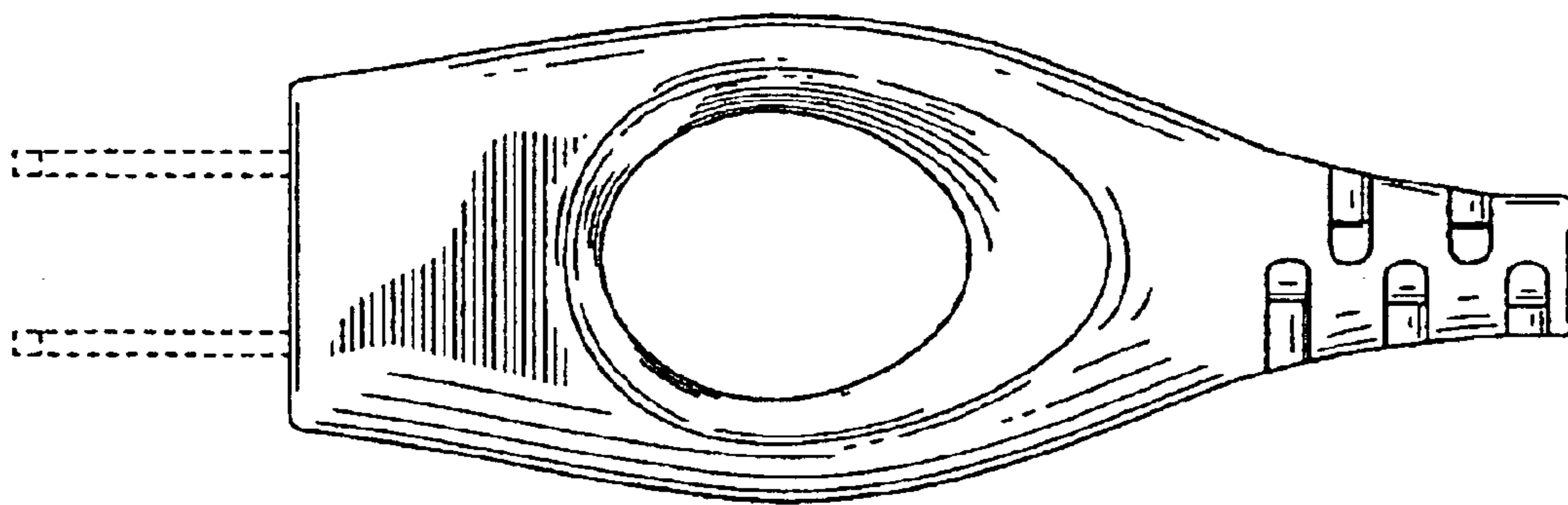


FIG. 24

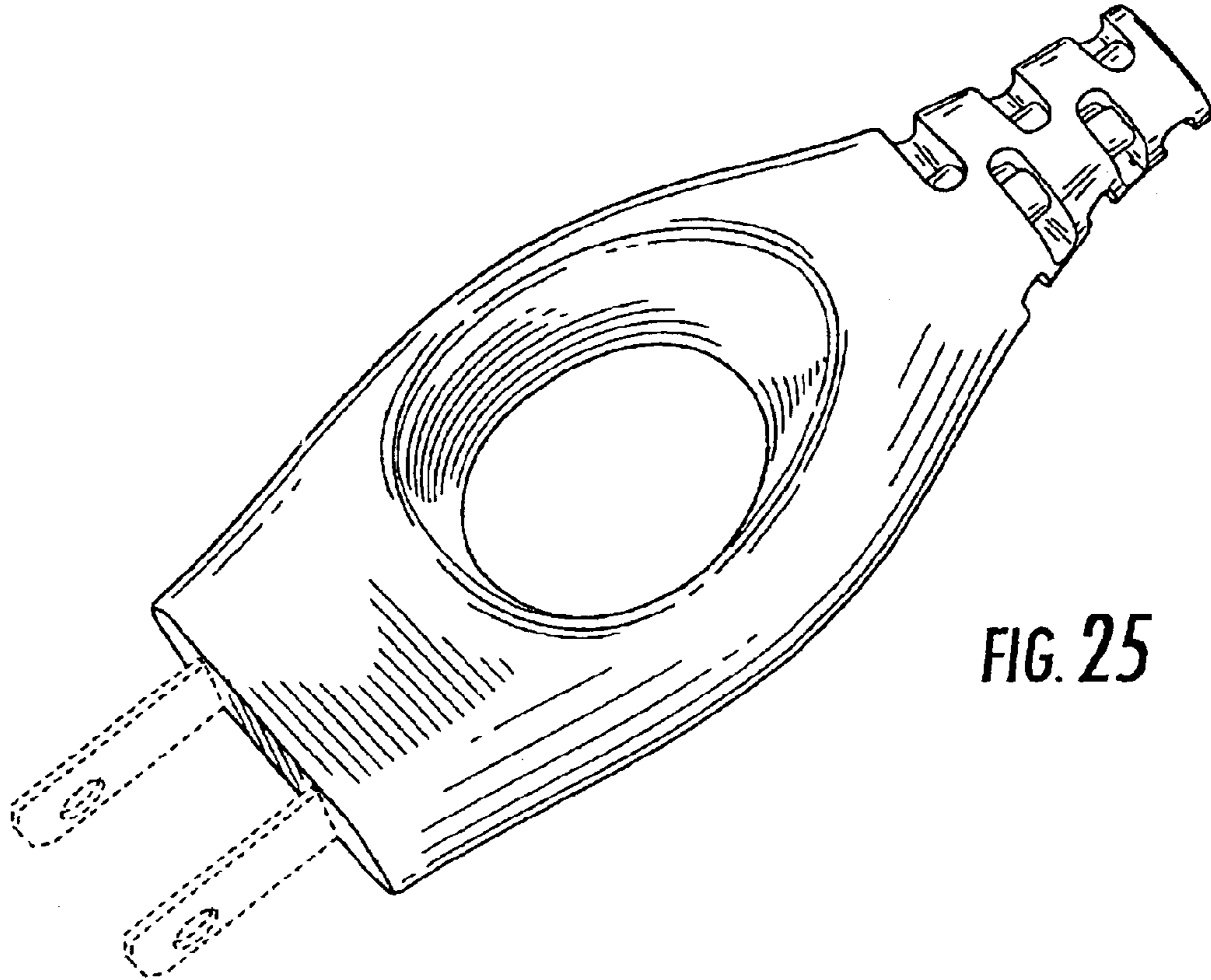


FIG. 25

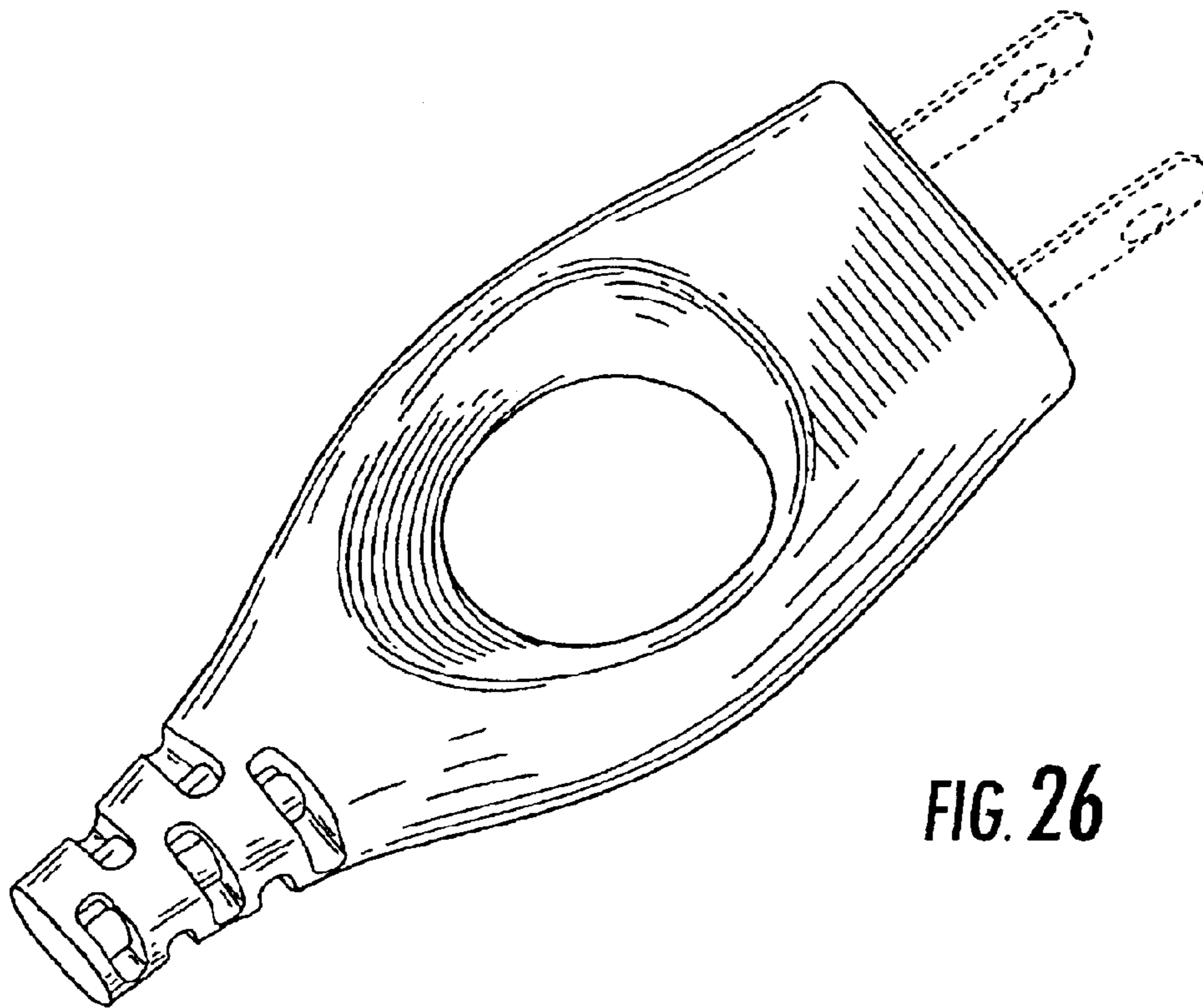


FIG. 26

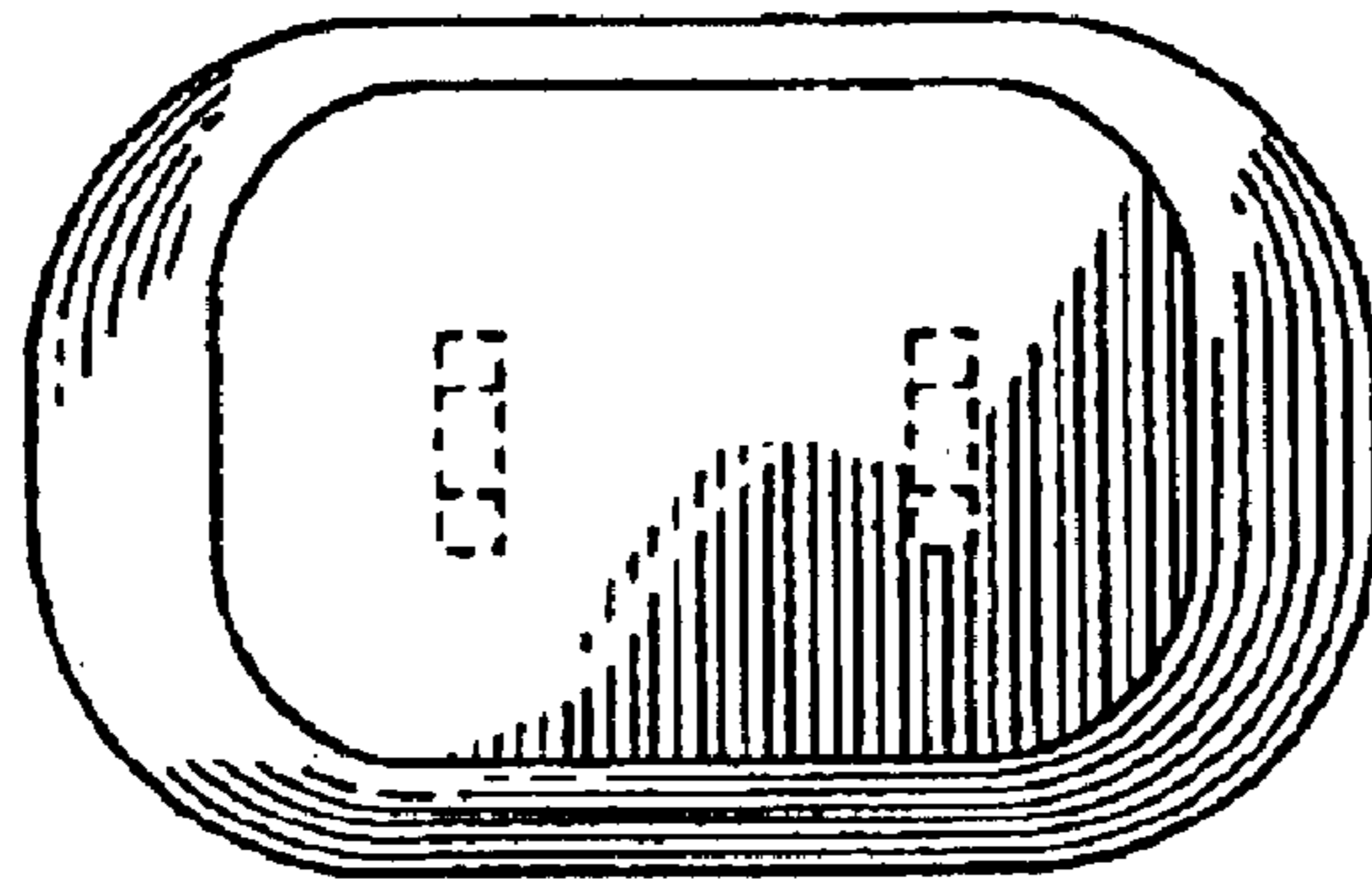


FIG. 27

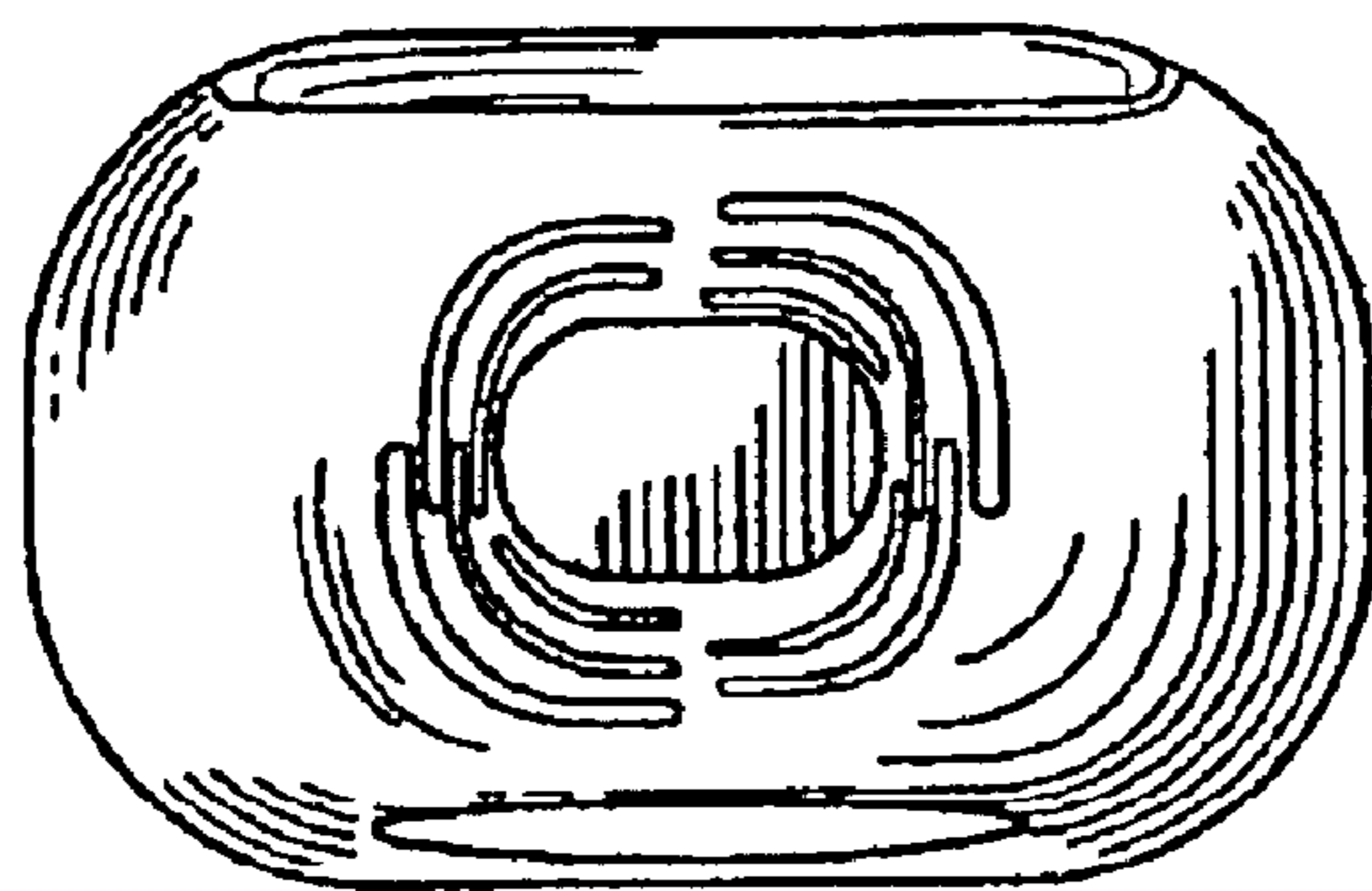


FIG. 28

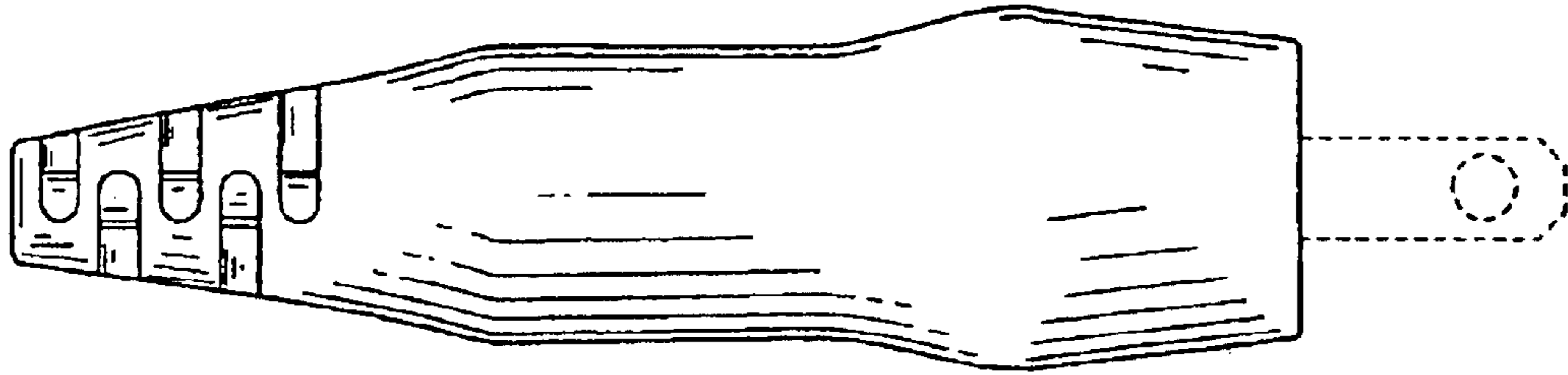


FIG. 29

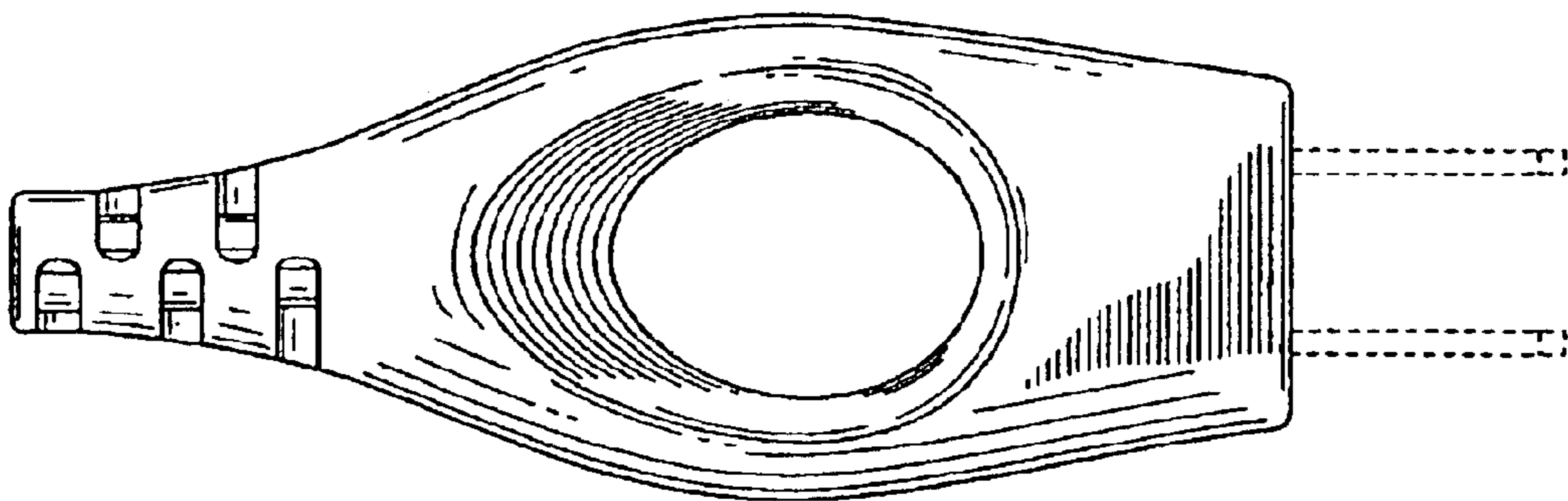


FIG. 30

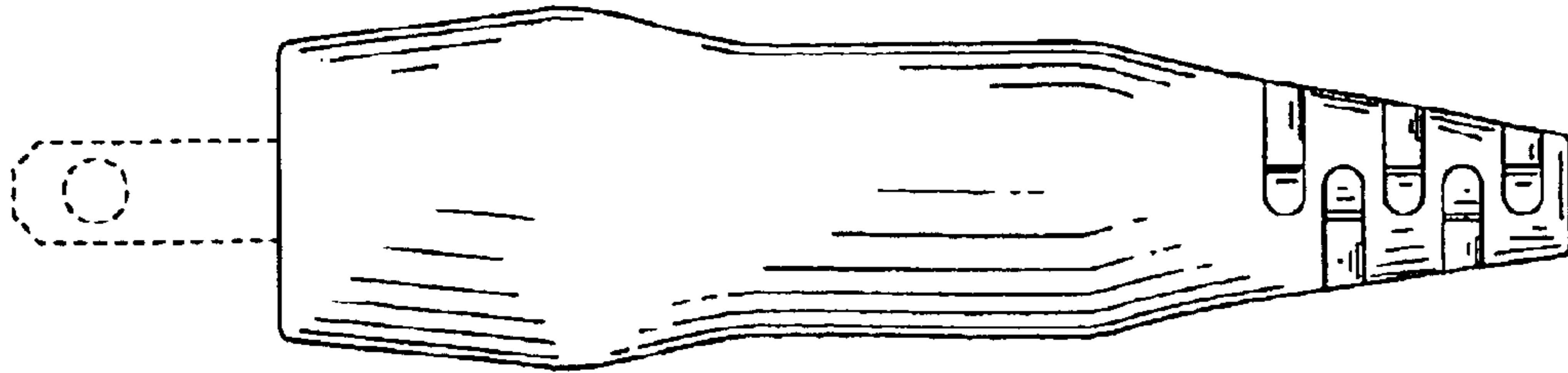


FIG. 31

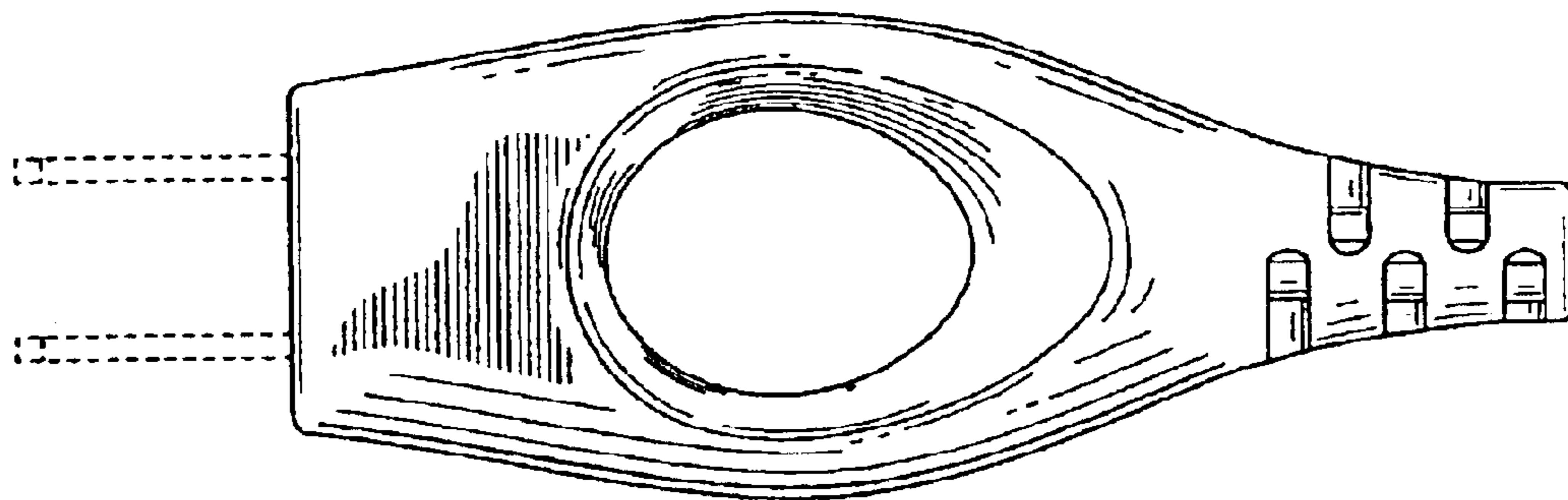


FIG. 32