

US00D493141S1

(12) **United States Design Patent**
Galvin

(10) **Patent No.:** **US D493,141 S**
(45) **Date of Patent:** **** Jul. 20, 2004**

(54) **CELLULAR ANTENNA ADAPTOR PLUG**

(75) **Inventor:** **Richard W. Galvin, Riverside, CA (US)**

(73) **Assignee:** **Wilson Electronics, Inc., Saint George, UT (US)**

(**) **Term:** **14 Years**

(21) **Appl. No.:** **29/180,967**

(22) **Filed:** **May 3, 2003**

(51) **LOC (7) Cl.** **13-03**

(52) **U.S. Cl.** **D13/133**

(58) **Field of Search** D13/133, 153;
439/502, 655, 660, 668

(56) **References Cited**

U.S. PATENT DOCUMENTS

5,584,713	A	*	12/1996	Kato et al.	439/188
D415,102	S	*	10/1999	Suzuki et al.	D13/133
6,030,258	A	*	2/2000	Fumikura	439/686
6,038,766	A	*	3/2000	Werner	29/876
D434,377	S	*	11/2000	Bussett et al.	D13/133
D446,186	S	*	8/2001	Corona	D13/133

D447,735	S	*	9/2001	Nakashima et al.	D13/153
D447,736	S	*	9/2001	Nakashima et al.	D13/153
D480,050	S	*	9/2003	Darrow et al.	D13/133

* cited by examiner

Primary Examiner—Philip S. Hyder

(74) *Attorney, Agent, or Firm*—Leon D. Rosen

(57) **CLAIM**

The ornamental design for a cellular antenna adaptor plug, as shown and described.

DESCRIPTION

FIG. 1 is a front elevation view of a cellular antenna adaptor plug, showing my design, the dashed lines representing a cable and not being part of the claimed design.

FIG. 2 is a rear view thereof, the dashed lines not being part of the claimed design.

FIG. 3 is a right side view thereof.

FIG. 4 is a left side view thereof.

FIG. 5 is a top view thereof, the dashed lines not being part of the claimed design; and,

FIG. 6 is a bottom view thereof, the dashed lines not being part of the claimed design.

1 Claim, 1 Drawing Sheet

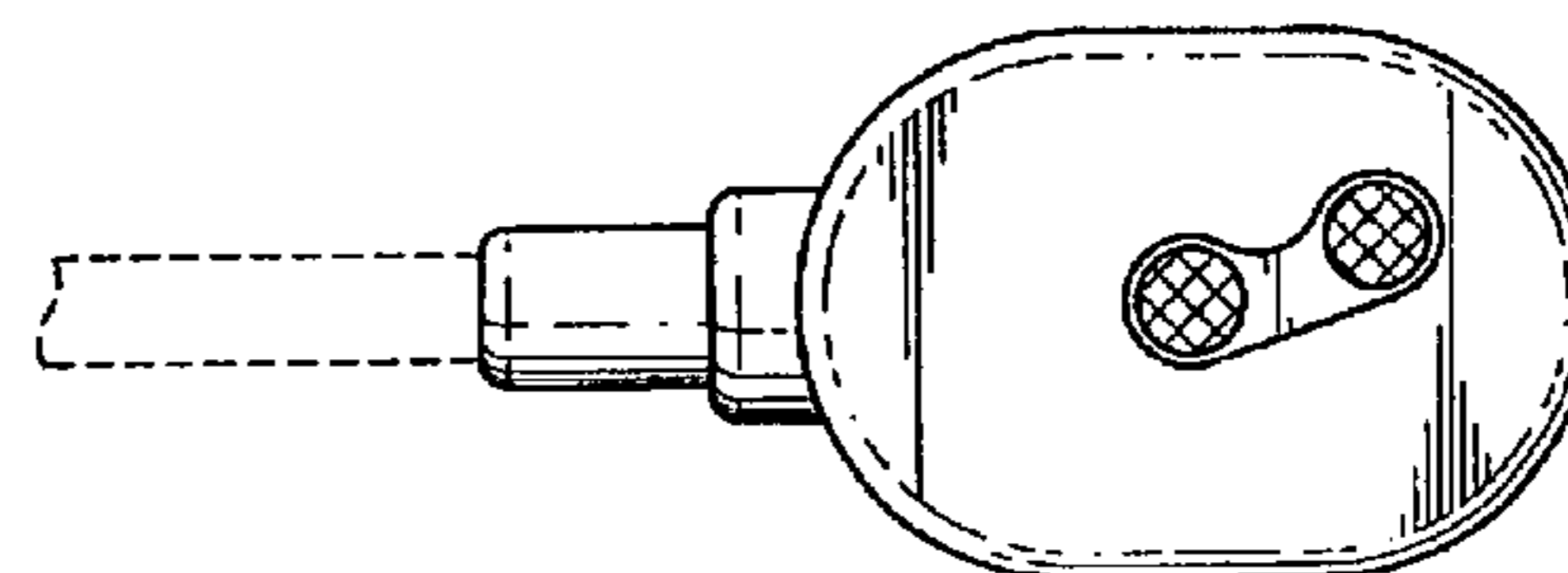
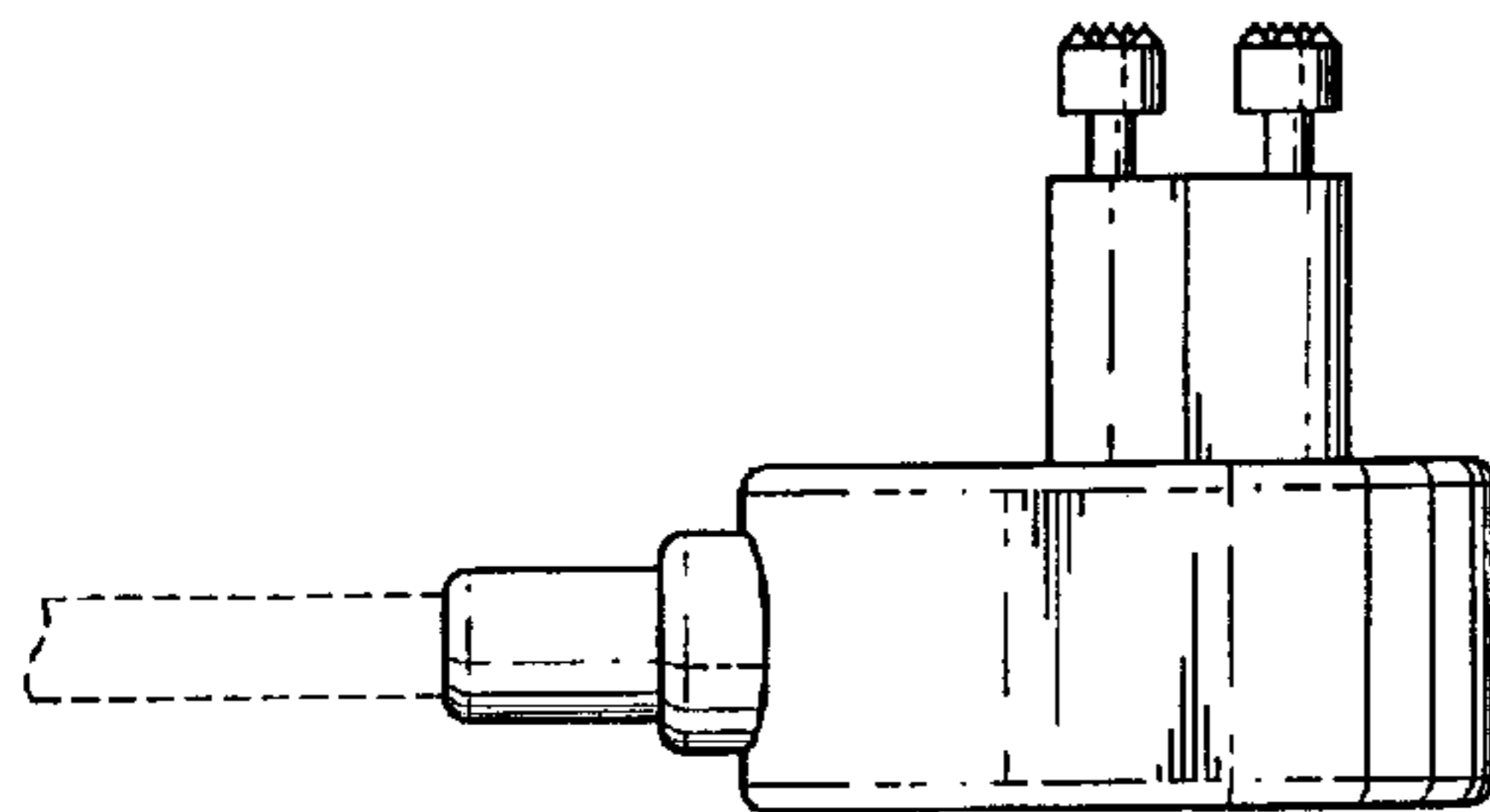


FIG. 1

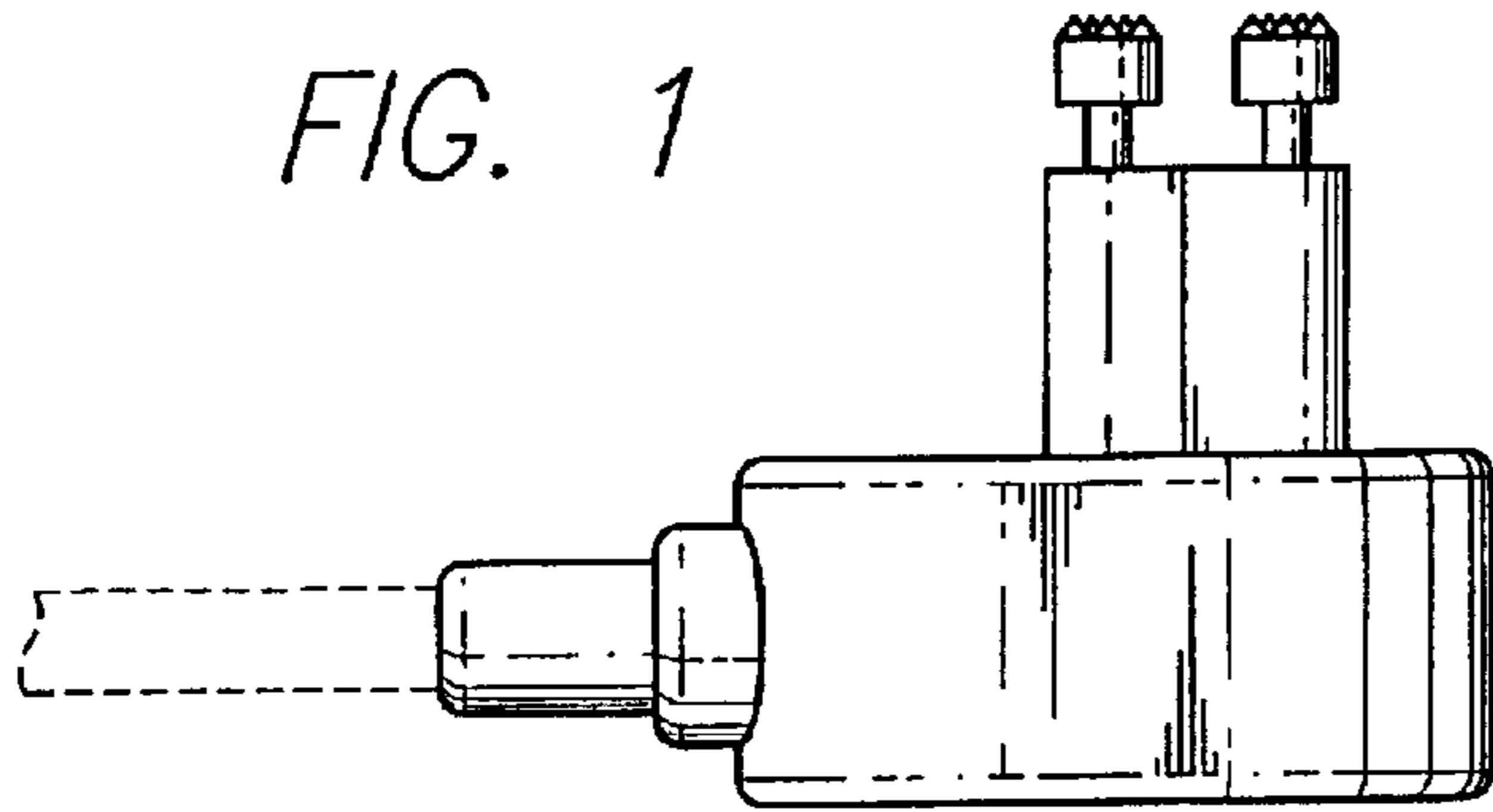


FIG. 2

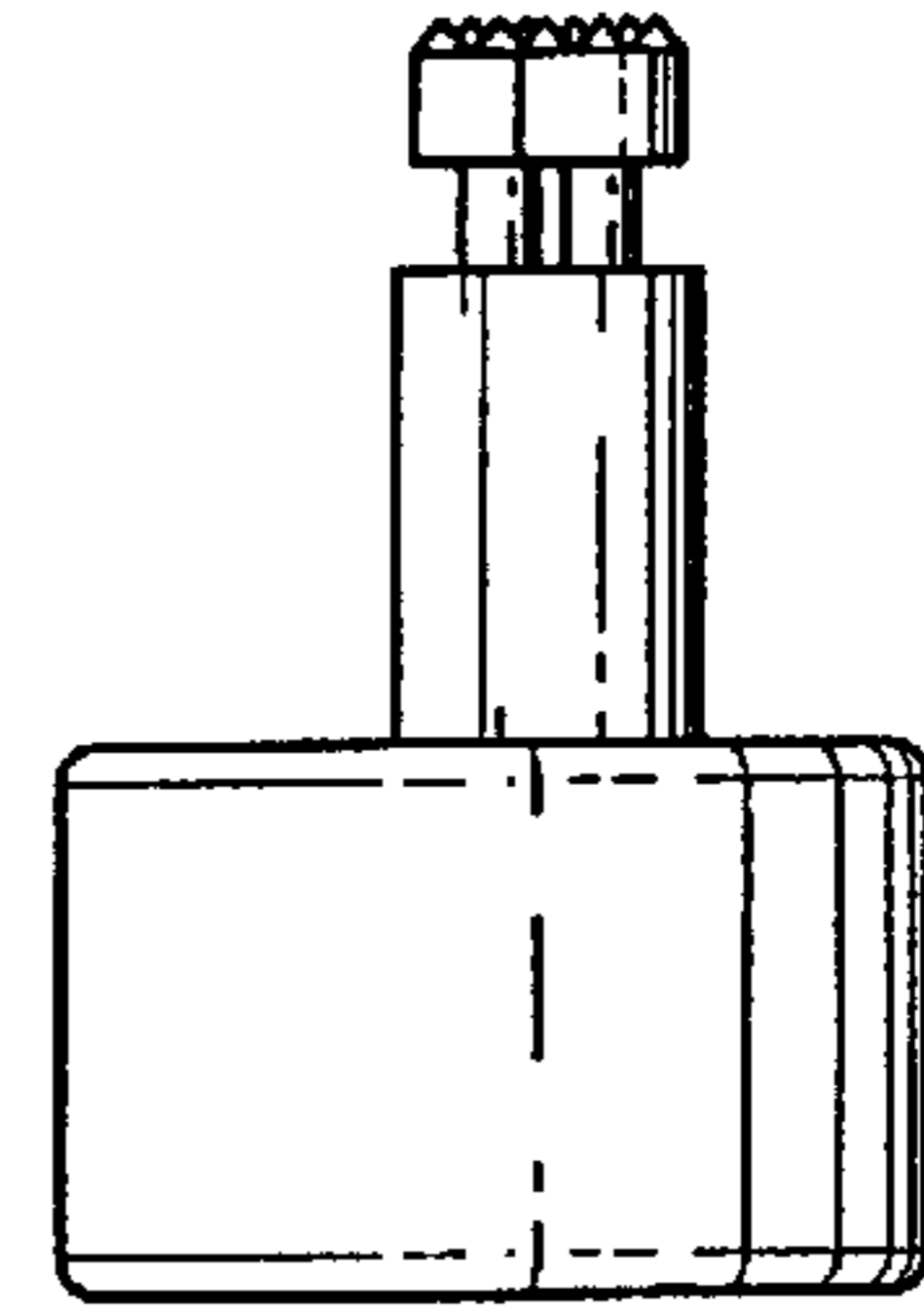
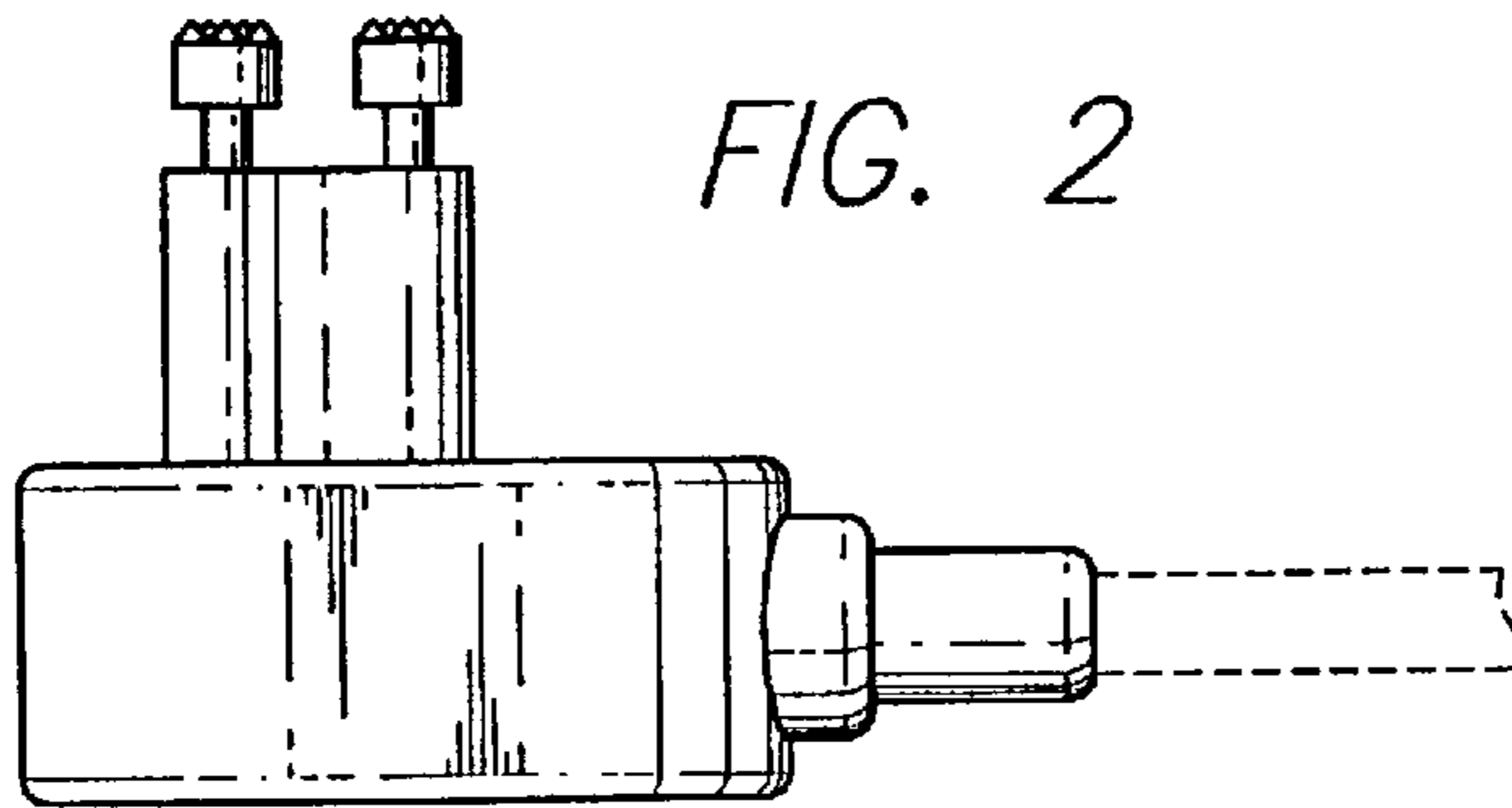


FIG. 3

FIG. 5

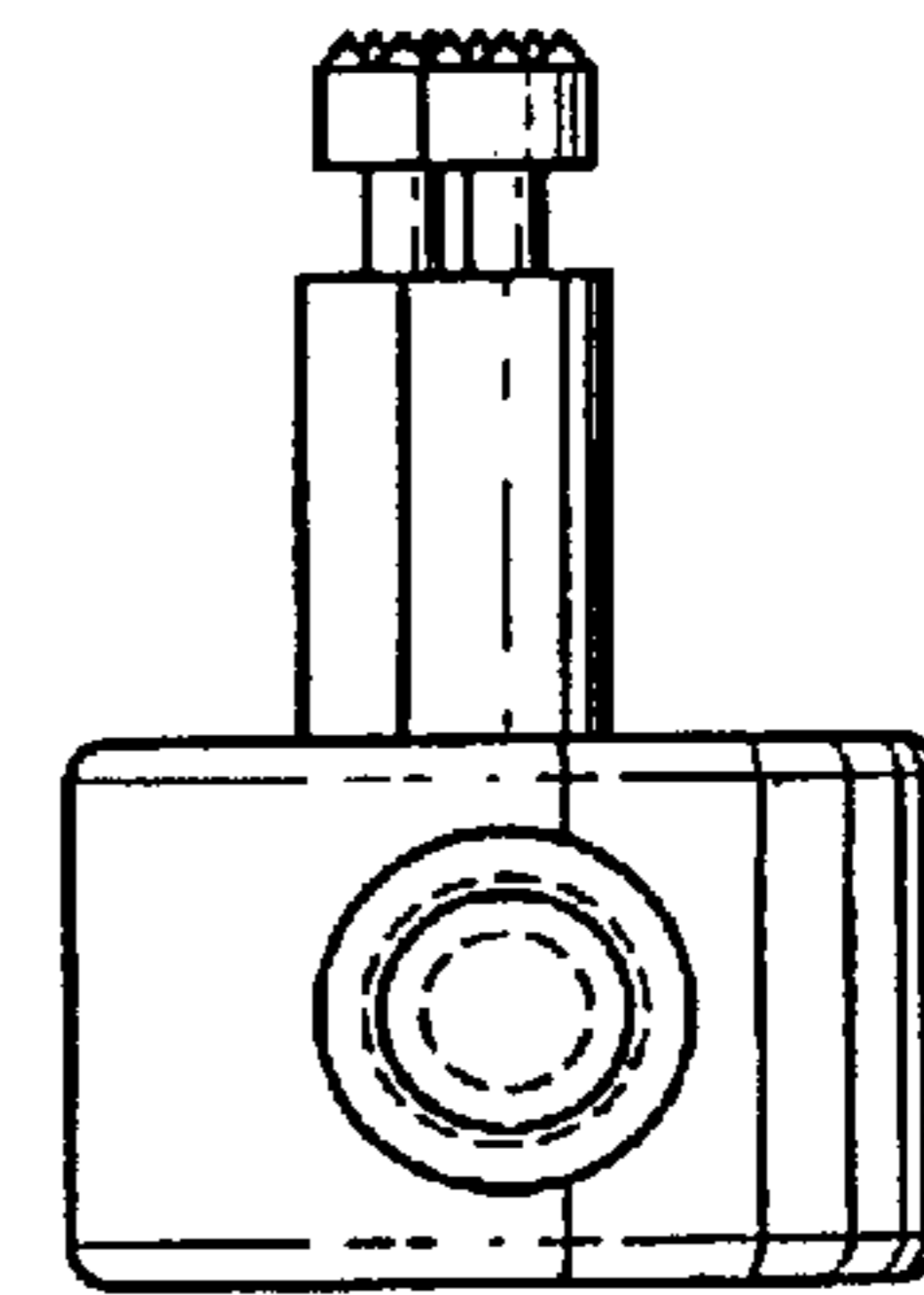
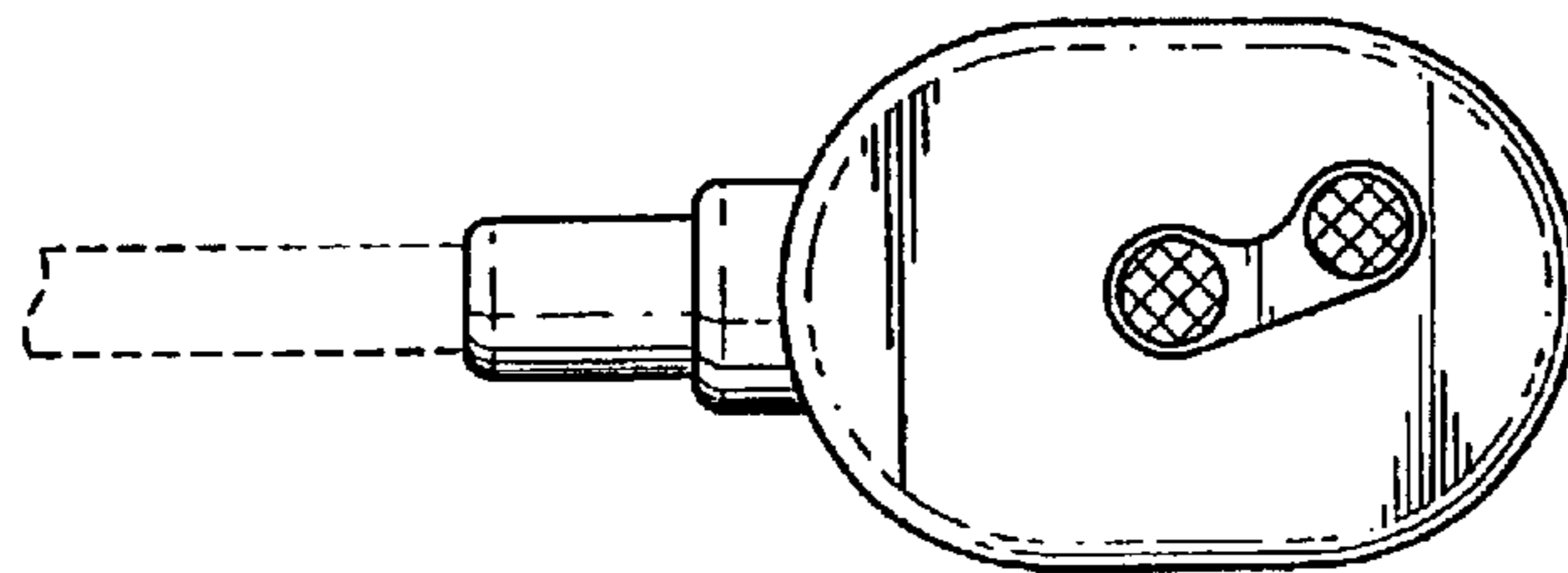


FIG. 4

FIG. 6

