

US00D493140S1

(12) **United States Design Patent**
Wu

(10) **Patent No.:** **US D493,140 S**
(45) **Date of Patent:** **** Jul. 20, 2004**

- (54) **ELECTRICAL CONNECTOR**
- (75) Inventor: **Jerry Wu, Irvine, CA (US)**
- (73) Assignee: **Hon Hai Precision Ind. Co., Ltd.,
Taipei Hsien (TW)**
- (**) Term: **14 Years**
- (21) Appl. No.: **29/167,262**
- (22) Filed: **Sep. 10, 2002**
- (51) **LOC (7) Cl.** **13-03**
- (52) **U.S. Cl.** **D13/133**
- (58) **Field of Search** D13/133, 147,
D13/153, 151, 146; 439/76.1, 79, 607,
609, 608, 610, 83

- D417,435 S * 12/1999 Lin et al. D13/147
- D417,655 S * 12/1999 Lin et al. D13/147
- 6,039,606 A * 3/2000 Chiou 439/610
- D435,519 S * 12/2000 Lee D13/147
- 6,179,627 B1 * 1/2001 Daly et al. 439/76.1
- 6,328,588 B1 * 12/2001 Tsai et al. 439/352
- D463,373 S * 9/2002 Lee D13/147

* cited by examiner

Primary Examiner—Philip S. Hyder
(74) *Attorney, Agent, or Firm*—Wei Te Chung

(57) **CLAIM**

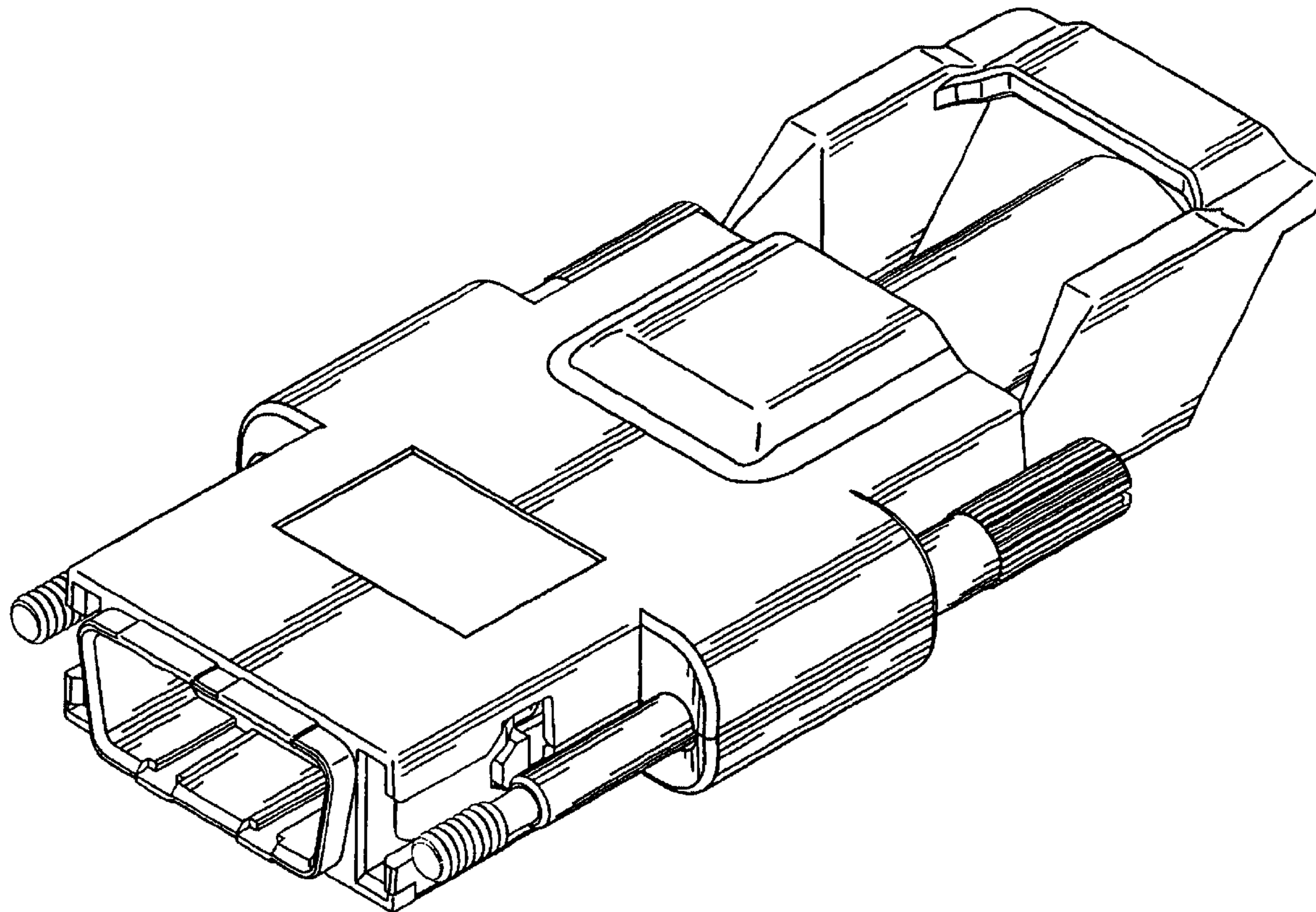
The ornamental design for an electrical connector, as shown.

DESCRIPTION

FIG. 1 is a front, top and right side perspective view of an electrical connector showing my new design; FIG. 2 is a front elevational view thereof; FIG. 3 is a rear elevational view thereof; FIG. 4 is a left side elevational view thereof; FIG. 5 is a right side elevational view thereof; FIG. 6 is a top plan view thereof; and, FIG. 7 is a bottom plan view thereof.

1 Claim, 6 Drawing Sheets

- (56) **References Cited**
- U.S. PATENT DOCUMENTS**
- D319,998 S * 9/1991 Kozono D13/133
- D327,249 S * 6/1992 Ohkura et al. D13/133
- 5,137,466 A * 8/1992 Endo et al. 439/357
- D344,491 S * 2/1994 Nakamura D13/147
- D406,819 S * 3/1999 Taguchi D13/154
- D416,864 S * 11/1999 Huang D13/147



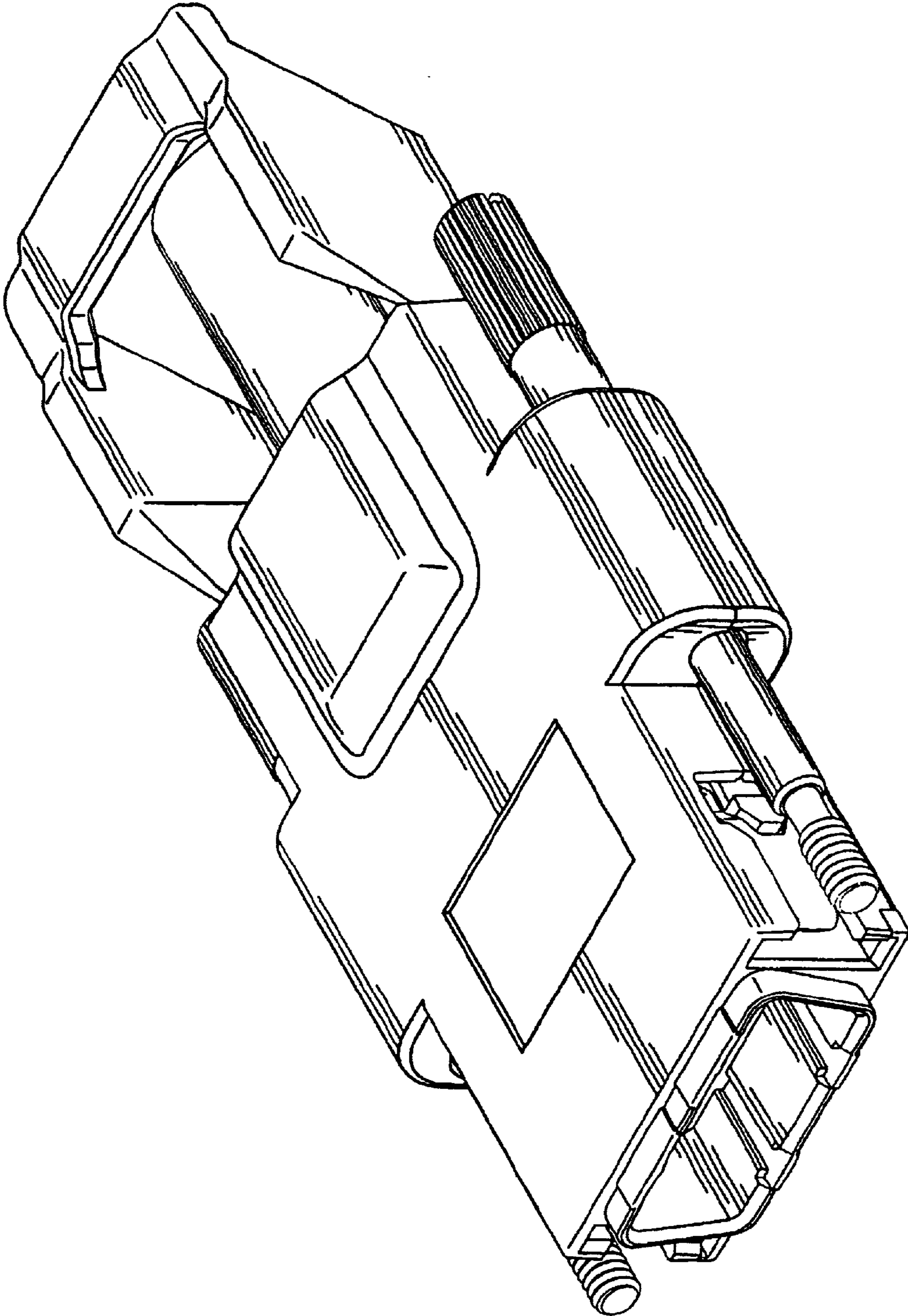


FIG. 1

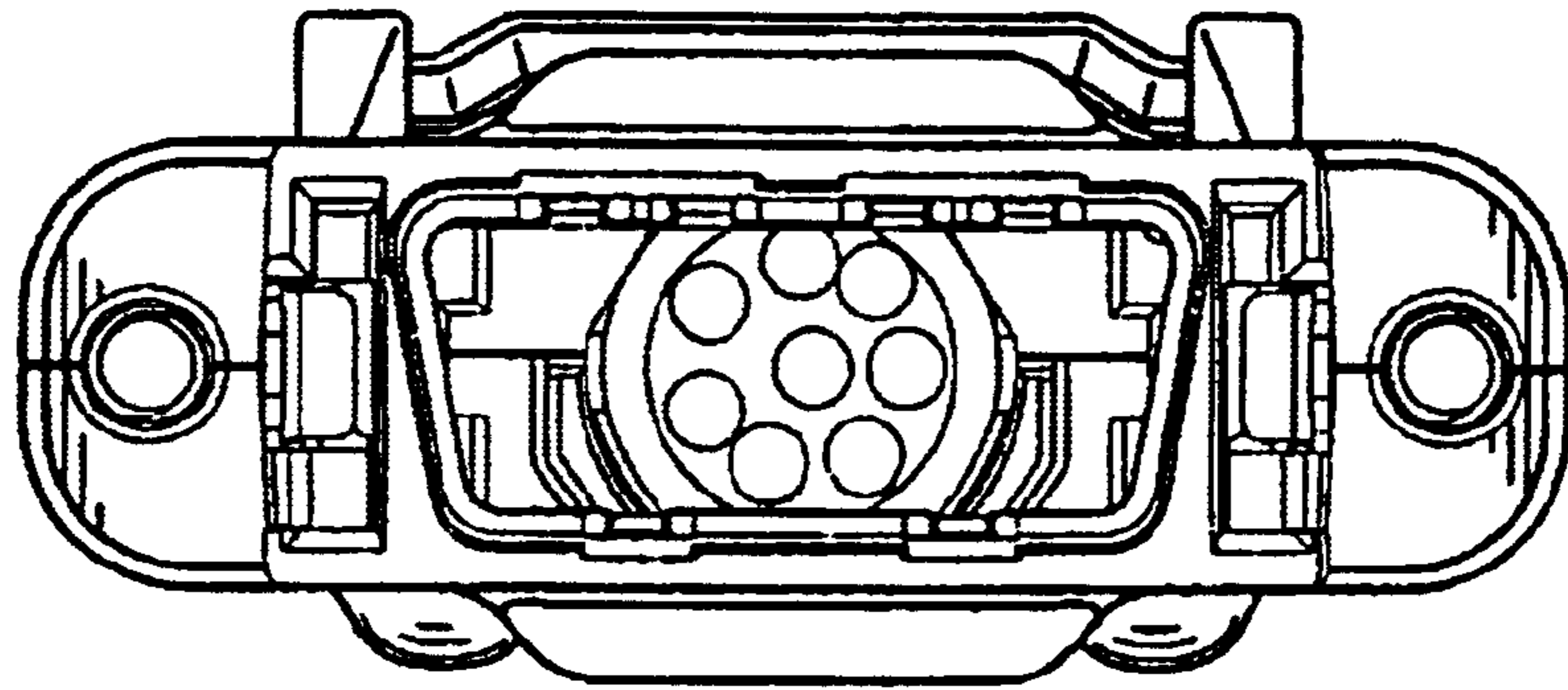


FIG. 2

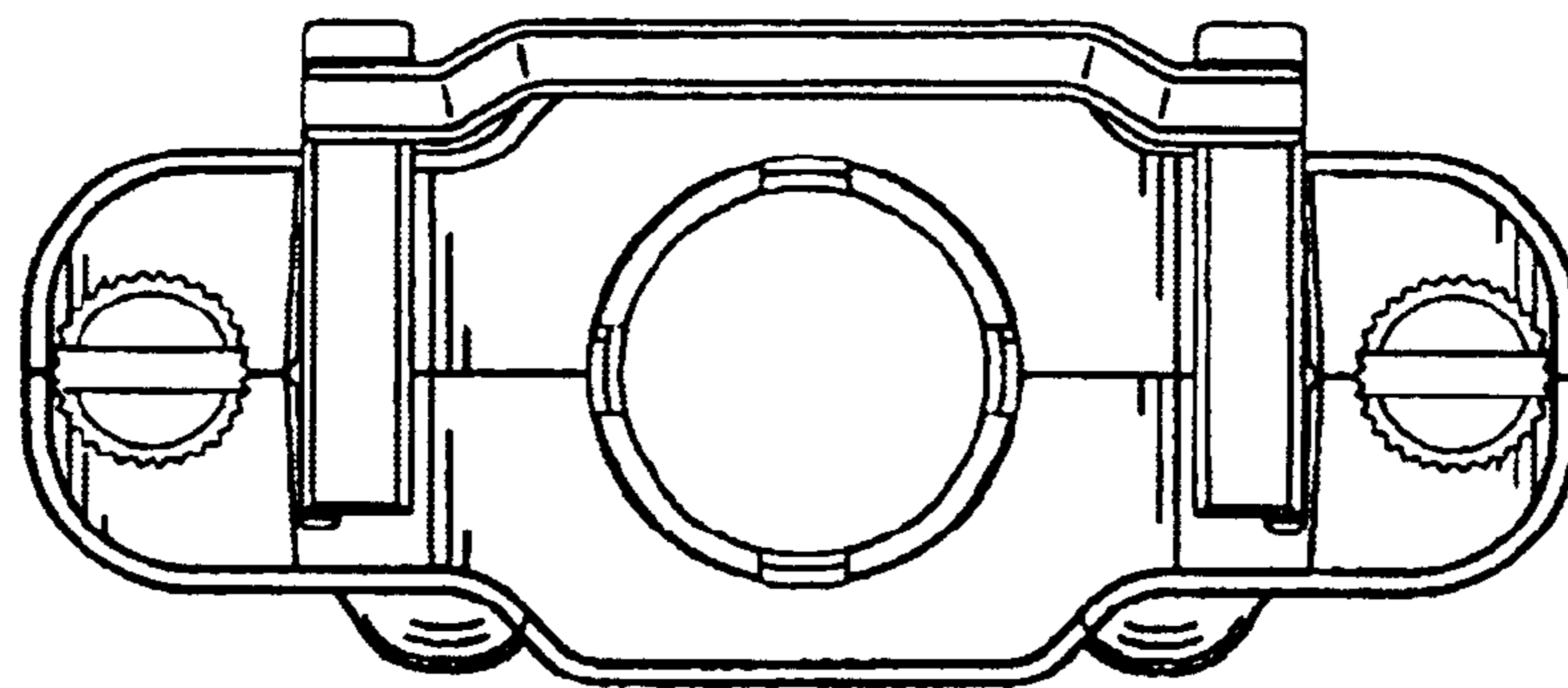


FIG. 3

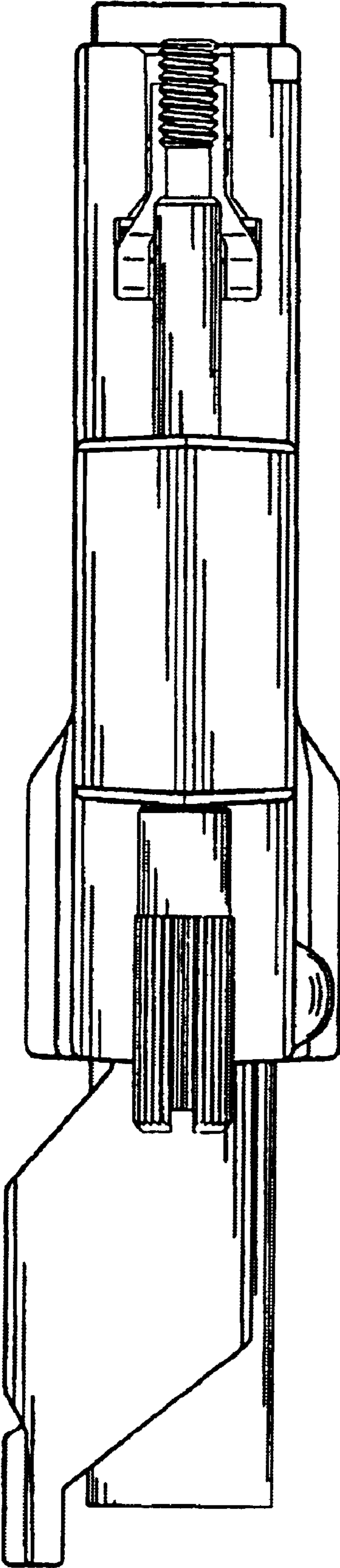


FIG. 4

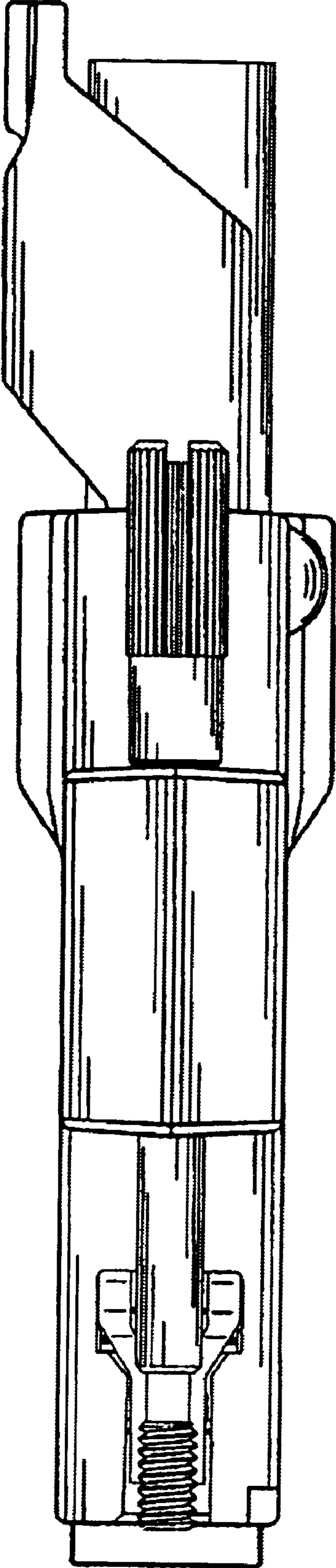


FIG. 5

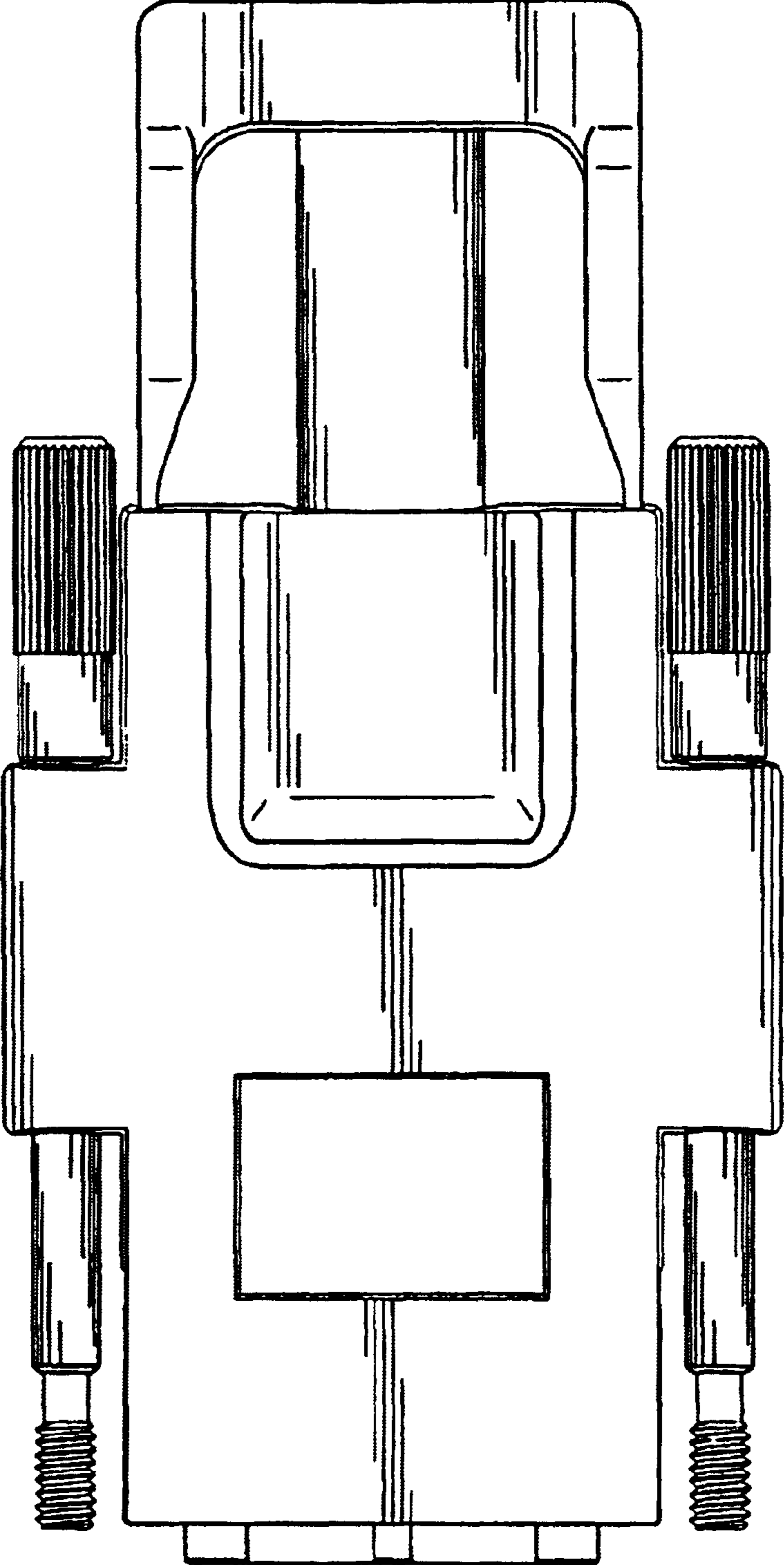


FIG. 6

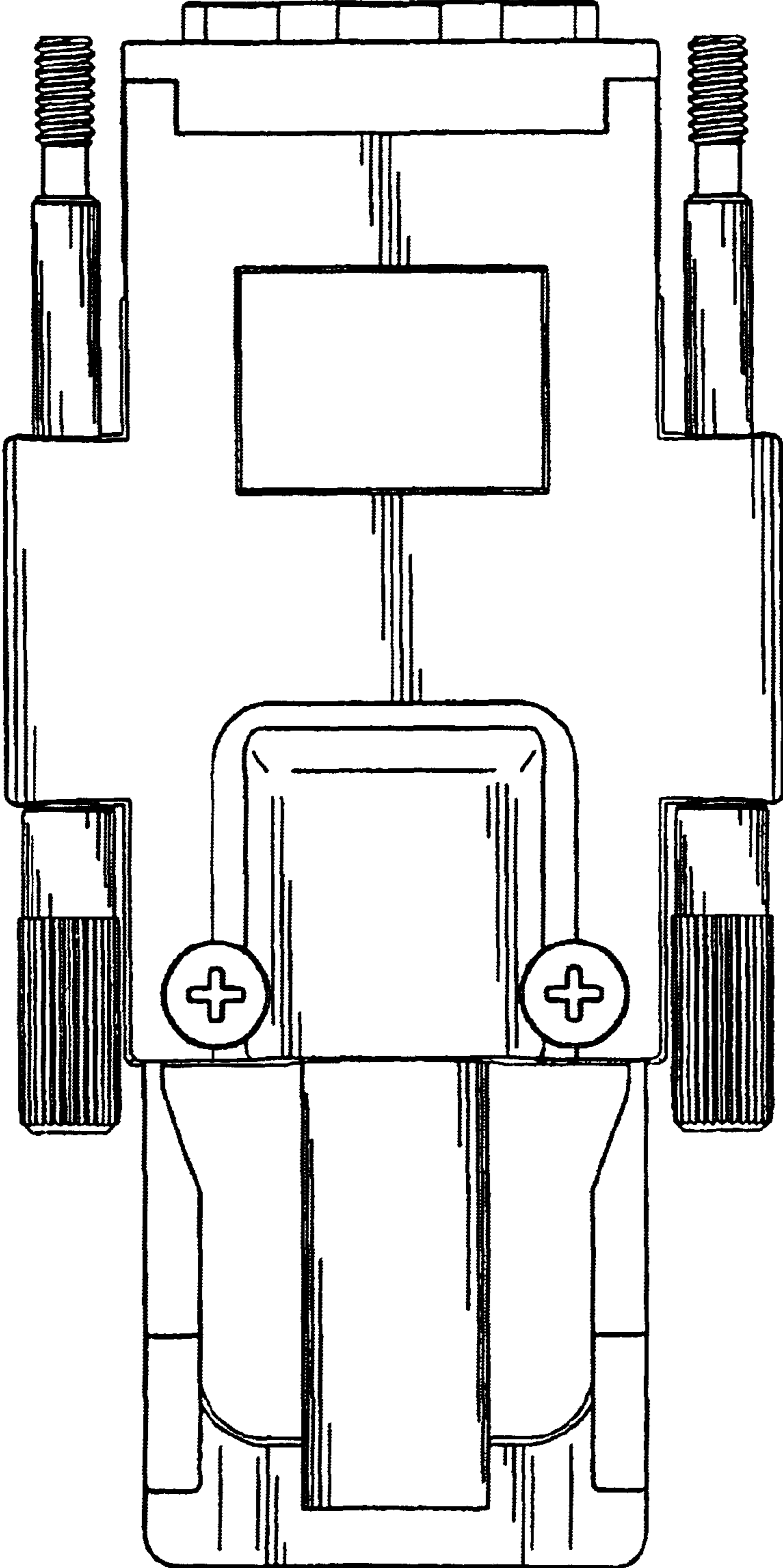


FIG. 7