

US00D493136S1

(12) **United States Design Patent** (10) **Patent No.:** **US D493,136 S**
Since (45) **Date of Patent:** **** Jul. 20, 2004**

(54) **PORTABLE ELECTRIC TOOTHBRUSH CHARGER AND CASE**

(75) Inventor: **Guillaume Jean Since**, Tseung Kwan O (HK)

(73) Assignee: **Salton, Inc.**, Lake Forest, IL (US)

(**) Term: **14 Years**

(21) Appl. No.: **29/193,003**

(22) Filed: **Oct. 31, 2003**

(51) **LOC (7) Cl.** **13-02**

(52) **U.S. Cl.** **D13/103**

(58) **Field of Search** D13/107, 108;
D4/104, 108; 320/107-116

(56) **References Cited**

U.S. PATENT DOCUMENTS

D454,695 S	*	3/2002	Greene	D4/101
D455,397 S	*	4/2002	Weiner et al.	D13/108
D466,304 S	*	12/2002	Phanelson et al.	D4/108
D466,700 S	*	12/2002	Richmond et al.	D4/199
D471,578 S	*	3/2003	Okuley	D16/242
6,677,726 B2	*	1/2004	Hensel	320/108

* cited by examiner

Primary Examiner—Joel Sincavage

(74) *Attorney, Agent, or Firm*—Sonnenschein Nath & Rosenthal LLP

(57) **CLAIM**

The ornamental design for a portable electric toothbrush charger and case, as shown and described.

DESCRIPTION

FIG. 1 is a perspective view of the bottom piece of the portable electric toothbrush charger and case showing an electric toothbrush disposed inside the bottom portion of the case and the top portion of the case lying next to it.

FIG. 2 is a perspective view of the top and bottom portions of the case joined together.

FIG. 3 is a front elevational view of the top and bottom portions of the case joined together.

FIG. 4 is a left side elevational view with the top and bottom portions of the case joined together.

FIG. 5 is a top plan view with the top and bottom portions of the case joined together.

FIG. 6 is a front elevational view of the bottom portion of the case.

FIG. 7 is a left side elevational view of the bottom portion of the case.

FIG. 8 is a perspective view of the bottom portion of the case.

FIG. 9 is a bottom plan view of the bottom portion of the case.

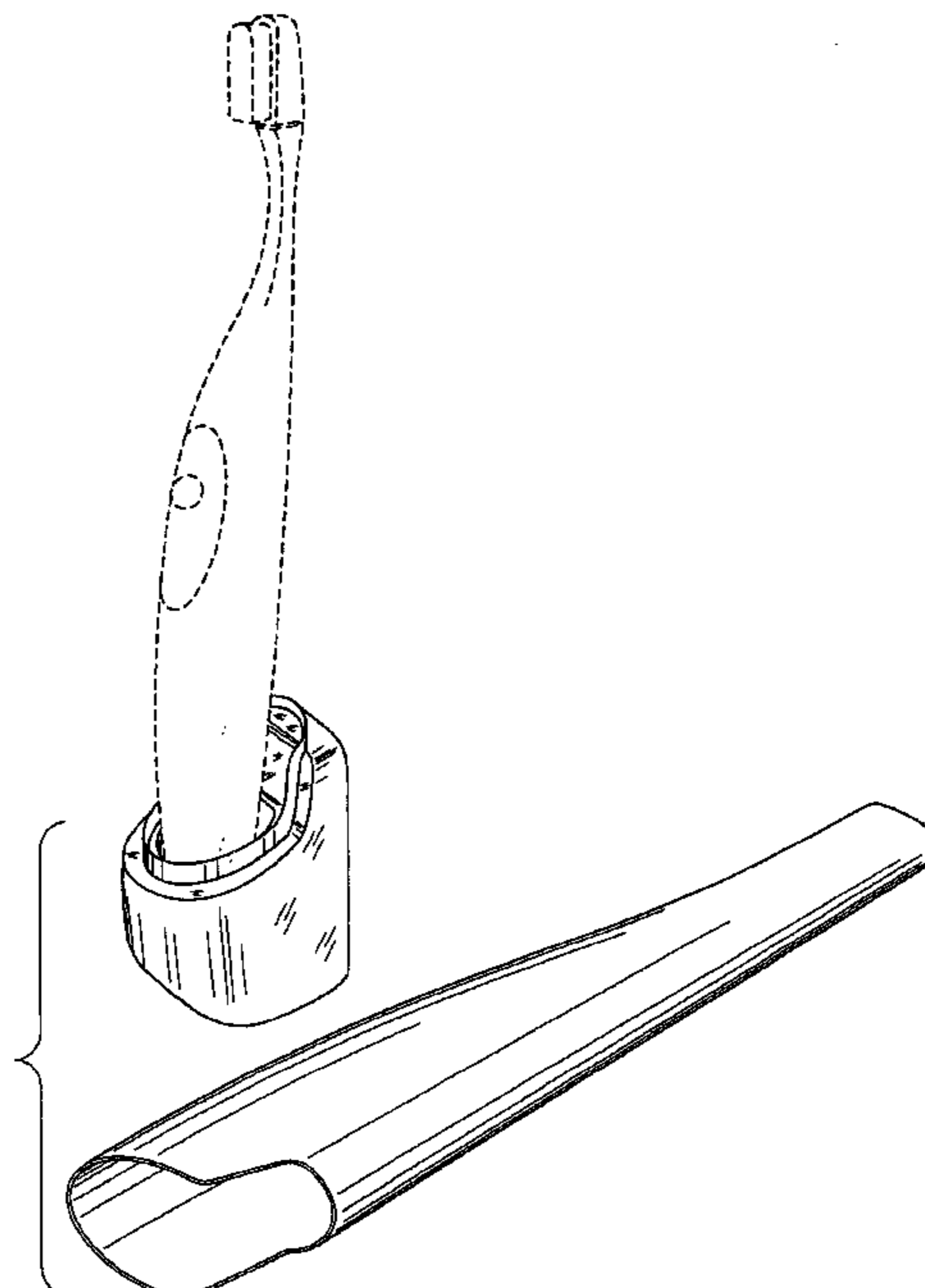
FIG. 10 is a top plan view of the bottom portion of the case.

FIG. 11 is a front view of the top portion of the case.

FIG. 12 is a left side view of the top portion of the case; and, FIG. 13 is a bottom plan view of the top portion of the case.

The claimed design is directed to the appearance of the portable electric toothbrush charger and case in its assembled state as depicted in FIGS. 2, 3 and 4. The charger and case are shown separately in the other figures for the purpose of clarifying design aspects of the assembled article that are not be apparent from FIGS. 2, 3 and 4. The broken lines showing the toothbrush in FIG. 1 are included for the purpose of illustrating environmental structure only and form no part of the claimed design. All other broken lines are included for the purpose of illustrating portions of the toothbrush charger and case that form no part of the claimed design.

1 Claim, 5 Drawing Sheets



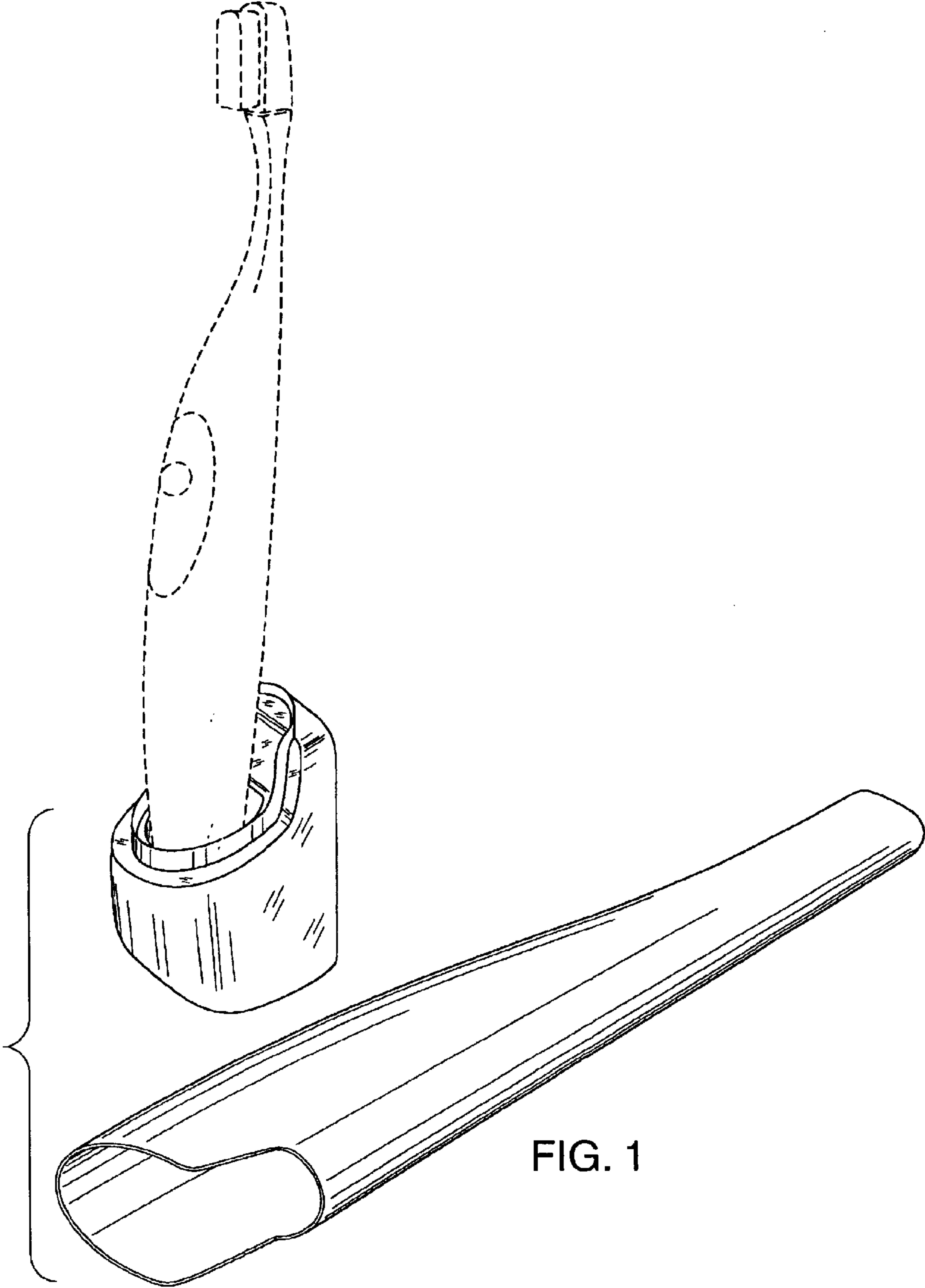


FIG. 1

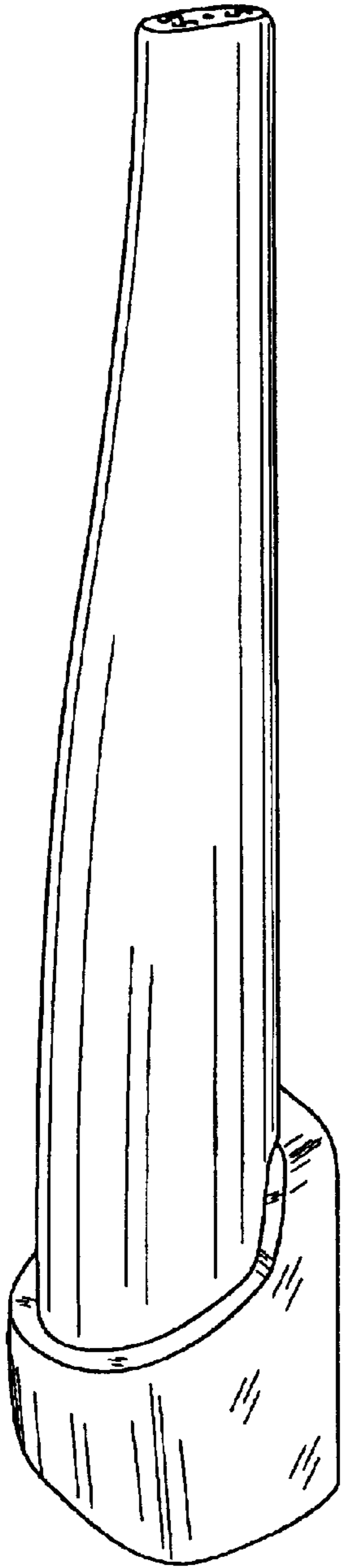


FIG. 2

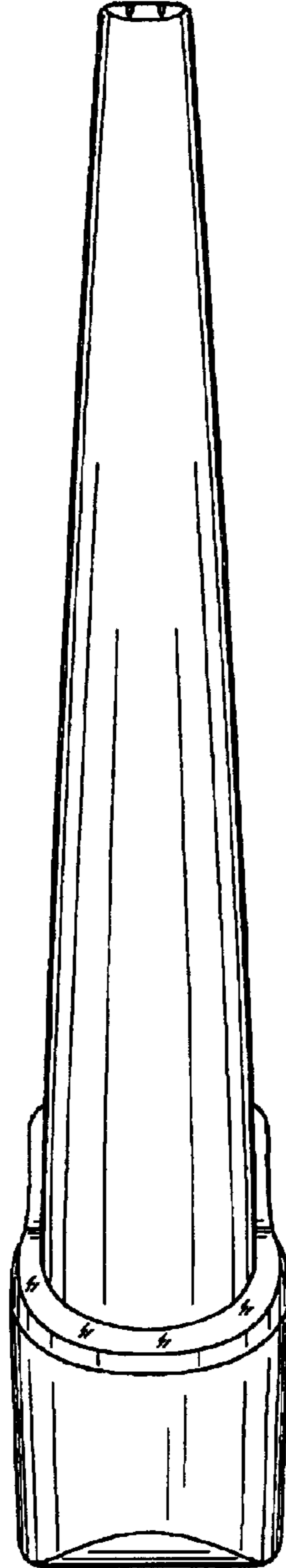


FIG. 3

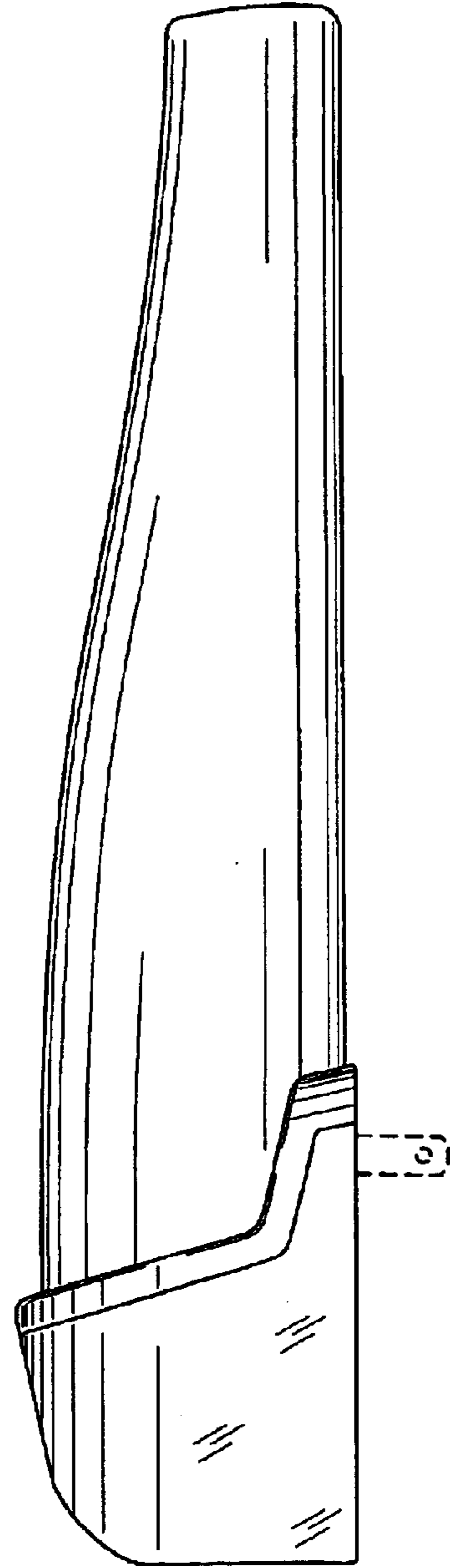


FIG. 4

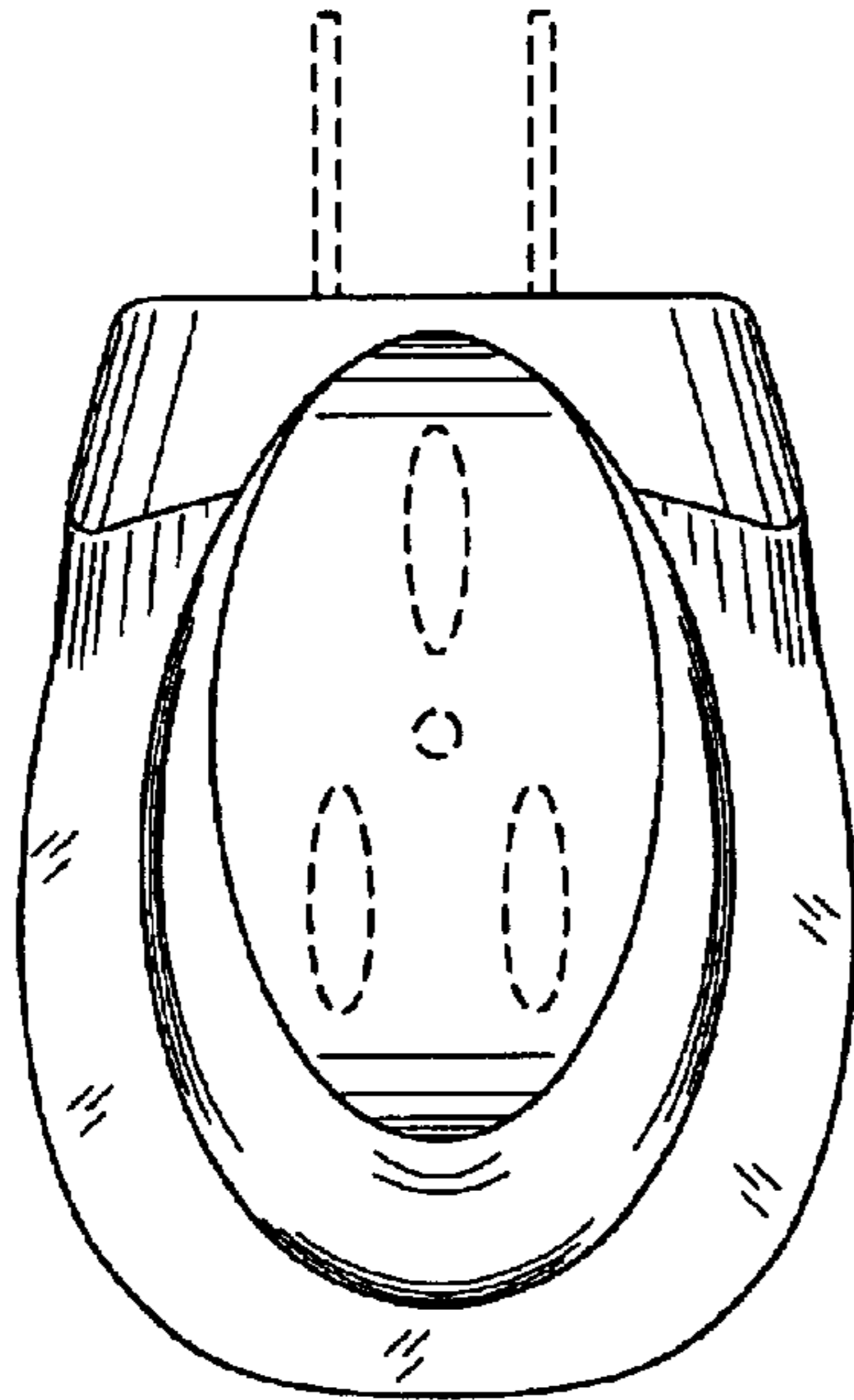


FIG. 5

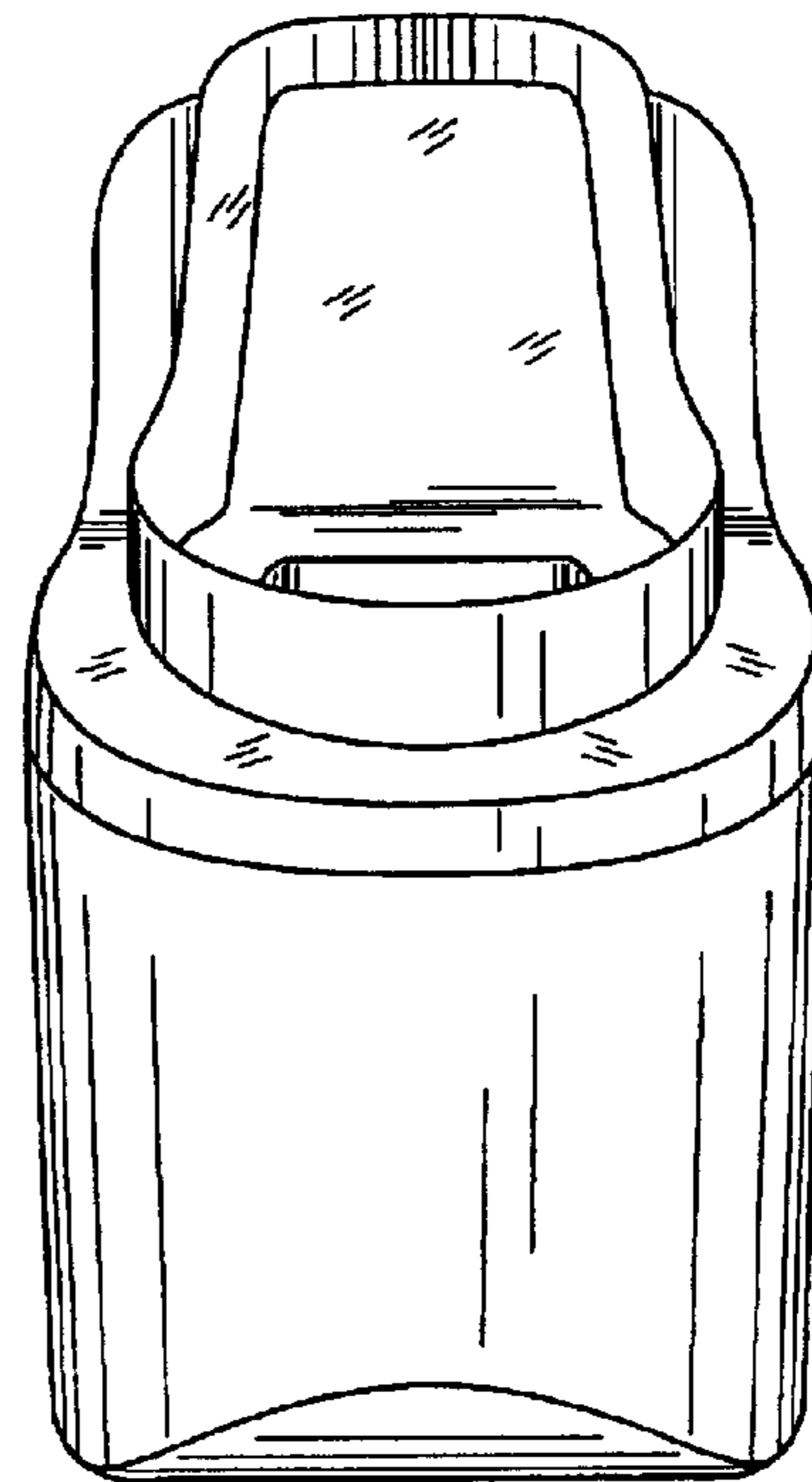


FIG. 6

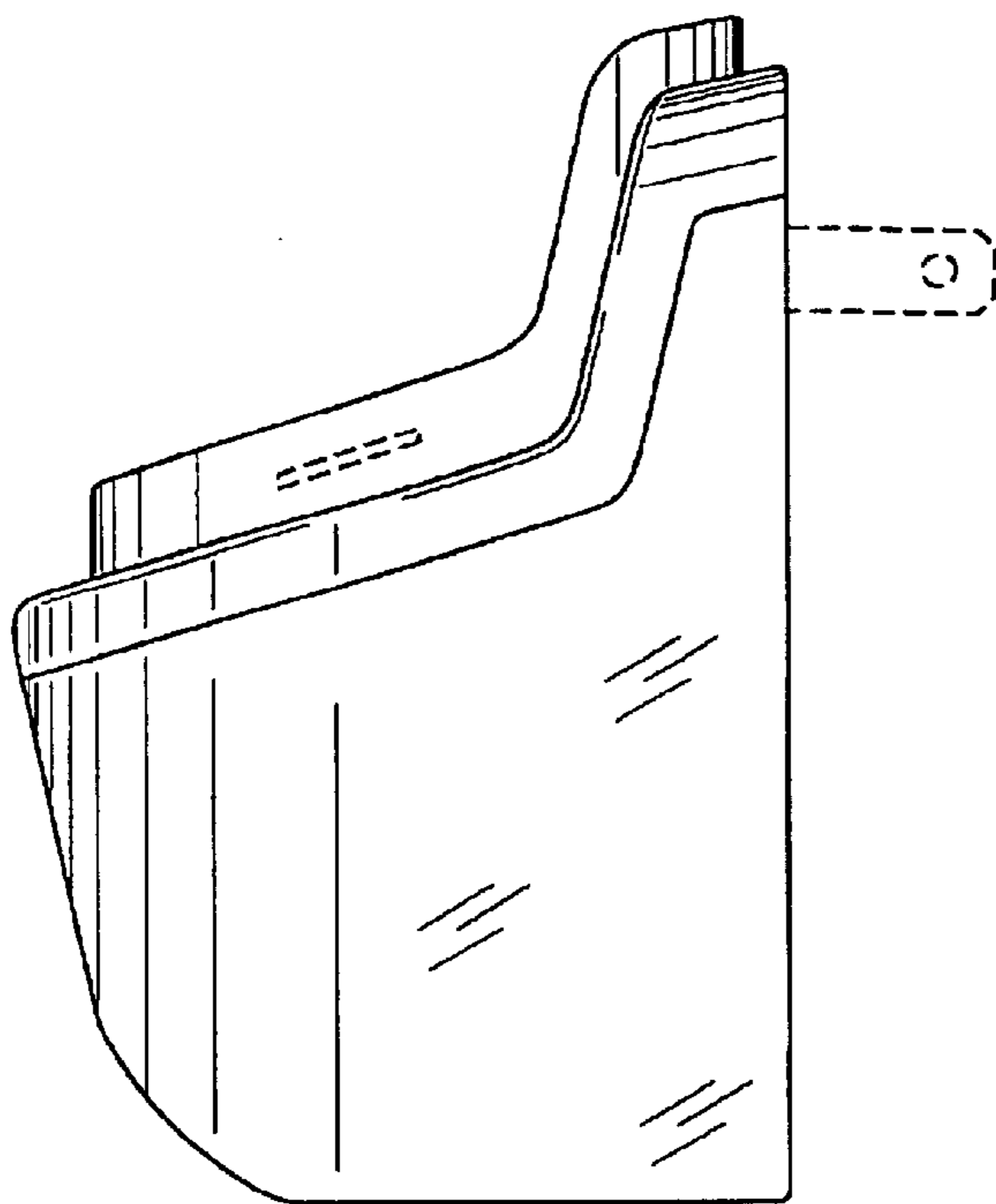


FIG. 7

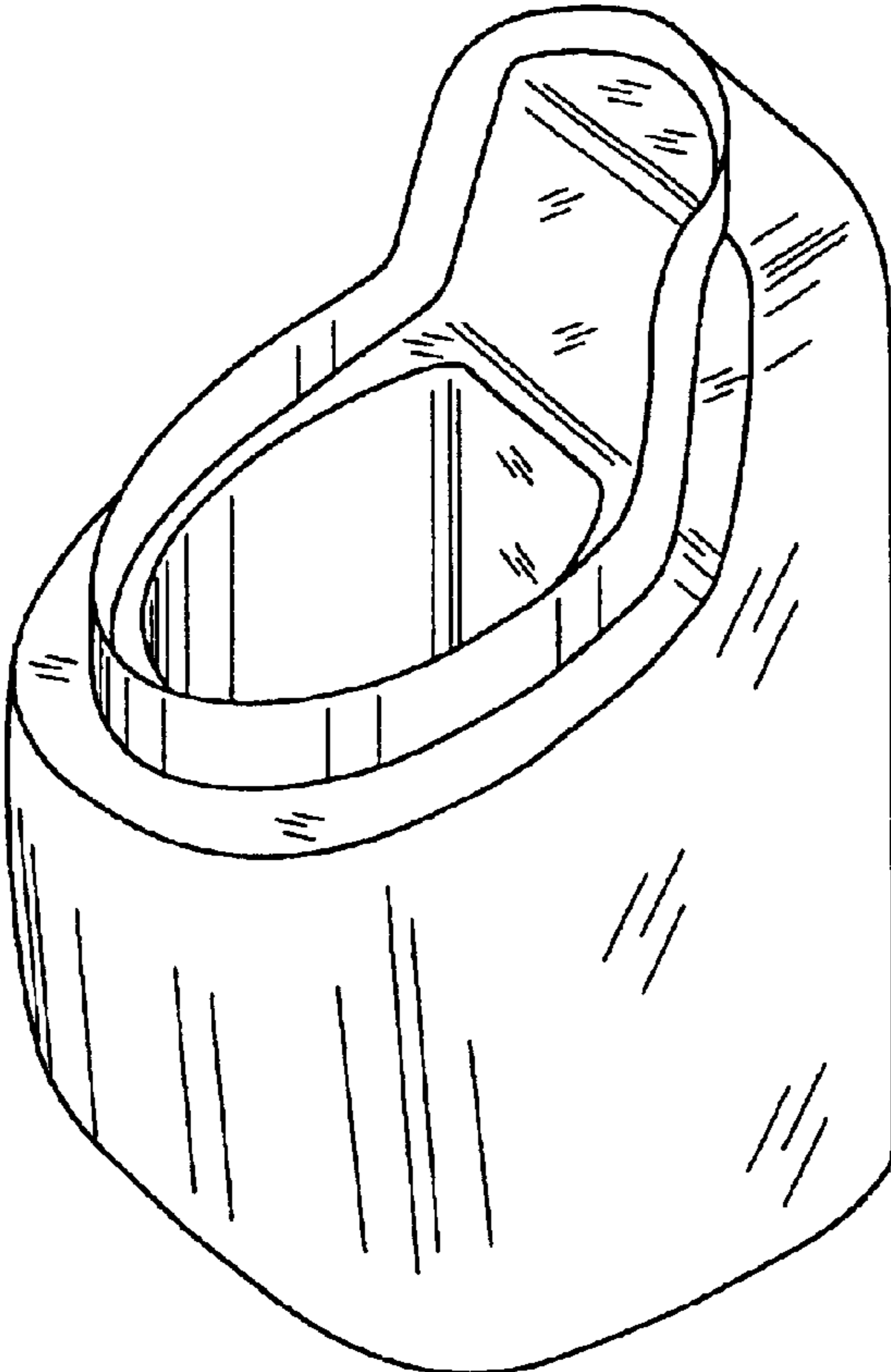


FIG. 8

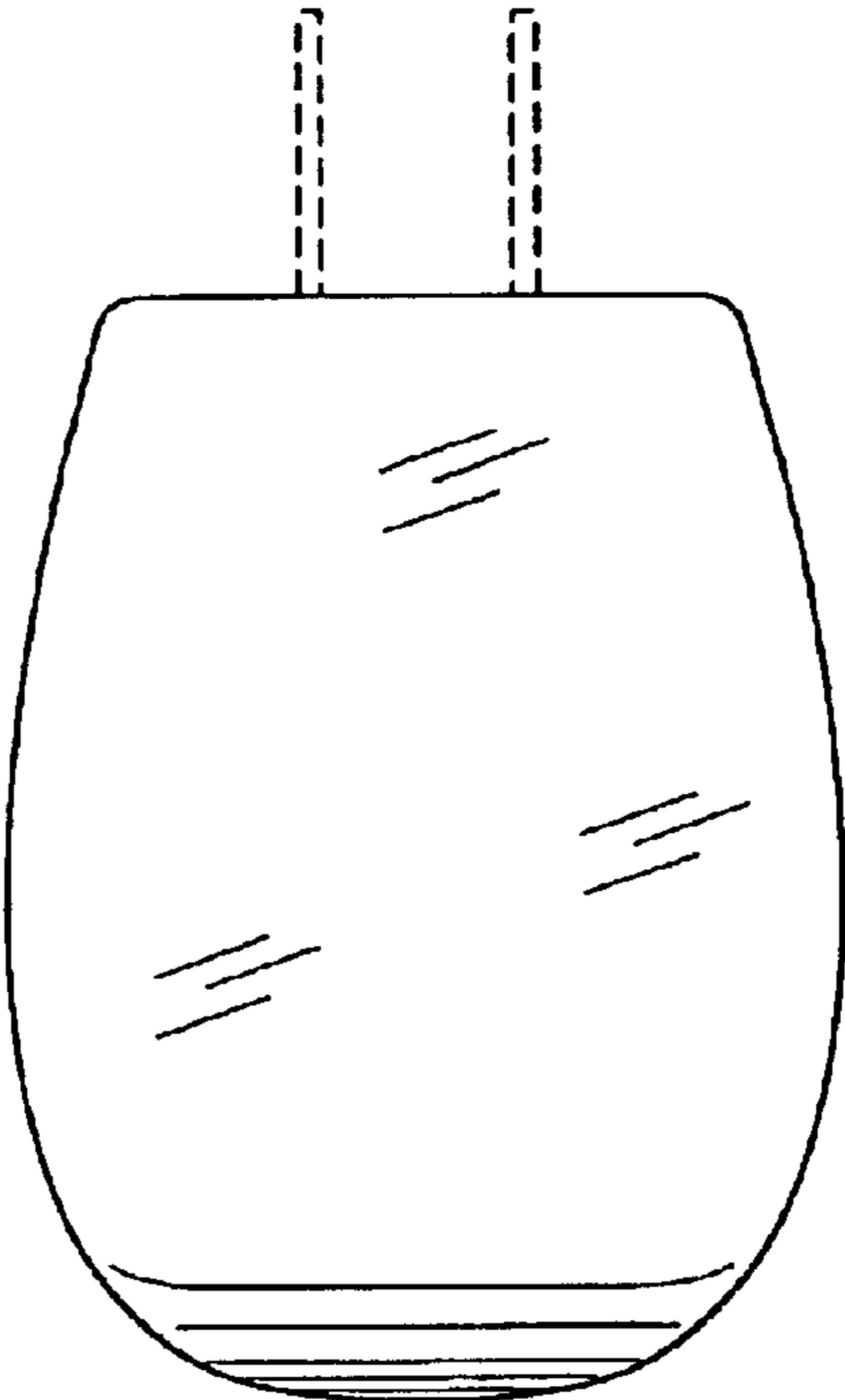


FIG. 9

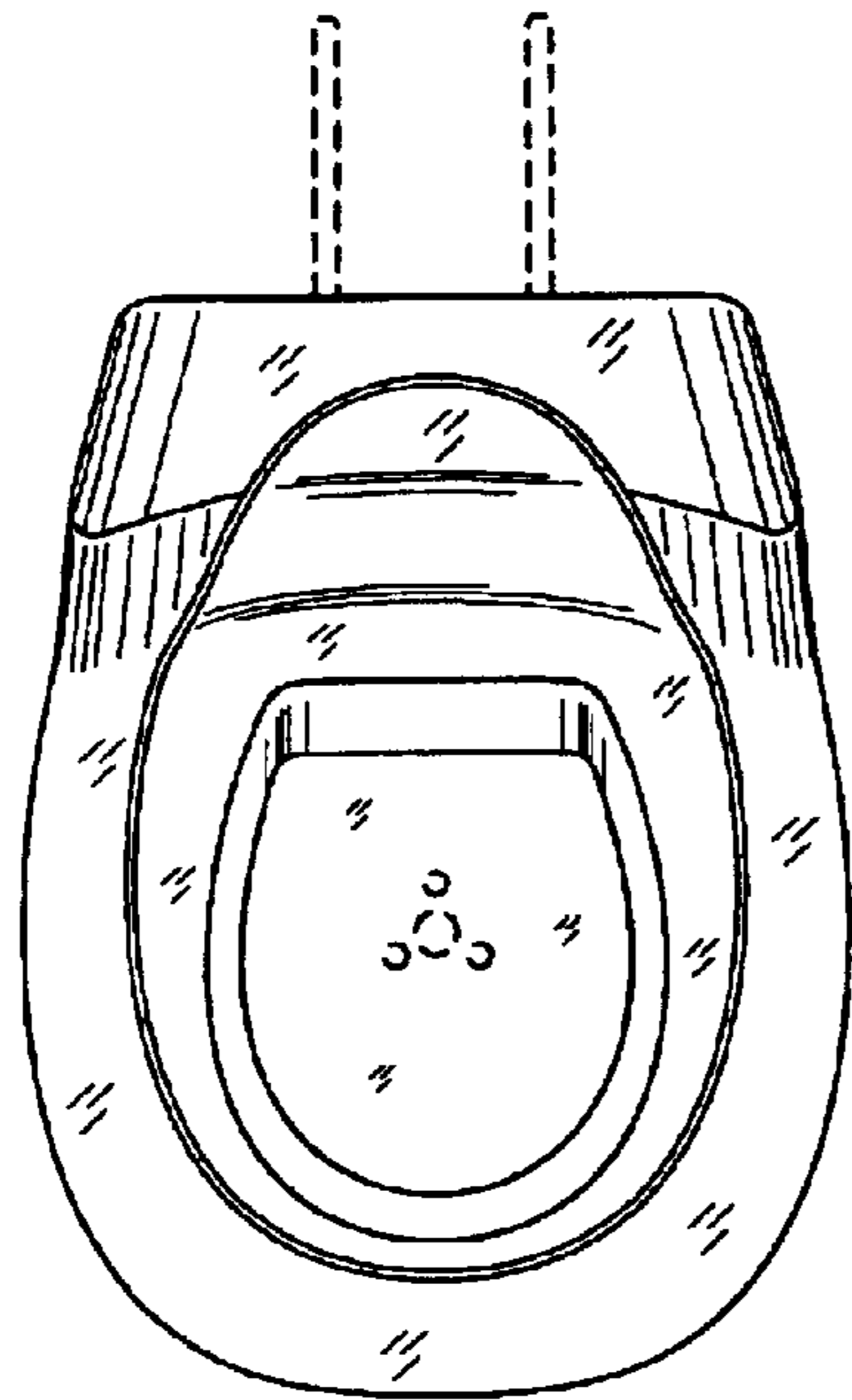


FIG. 10

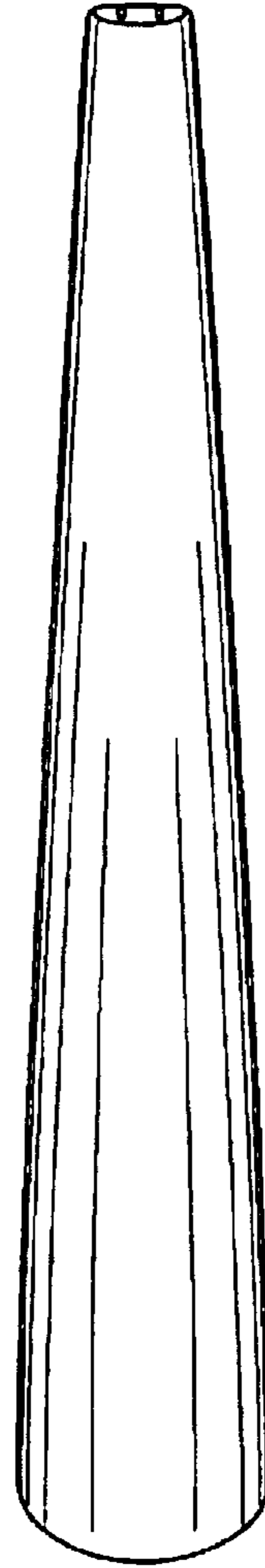


FIG. 11

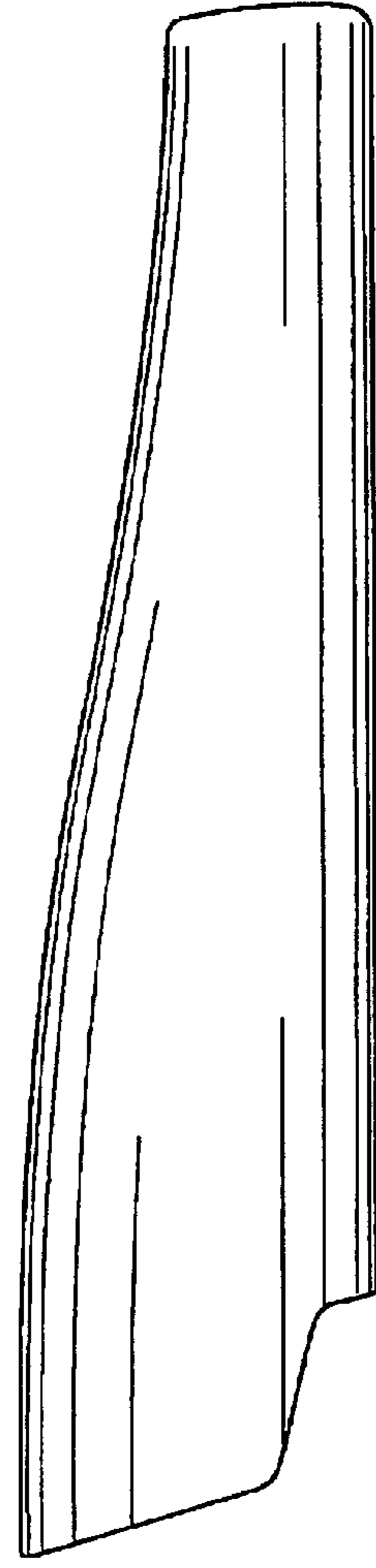


FIG. 12

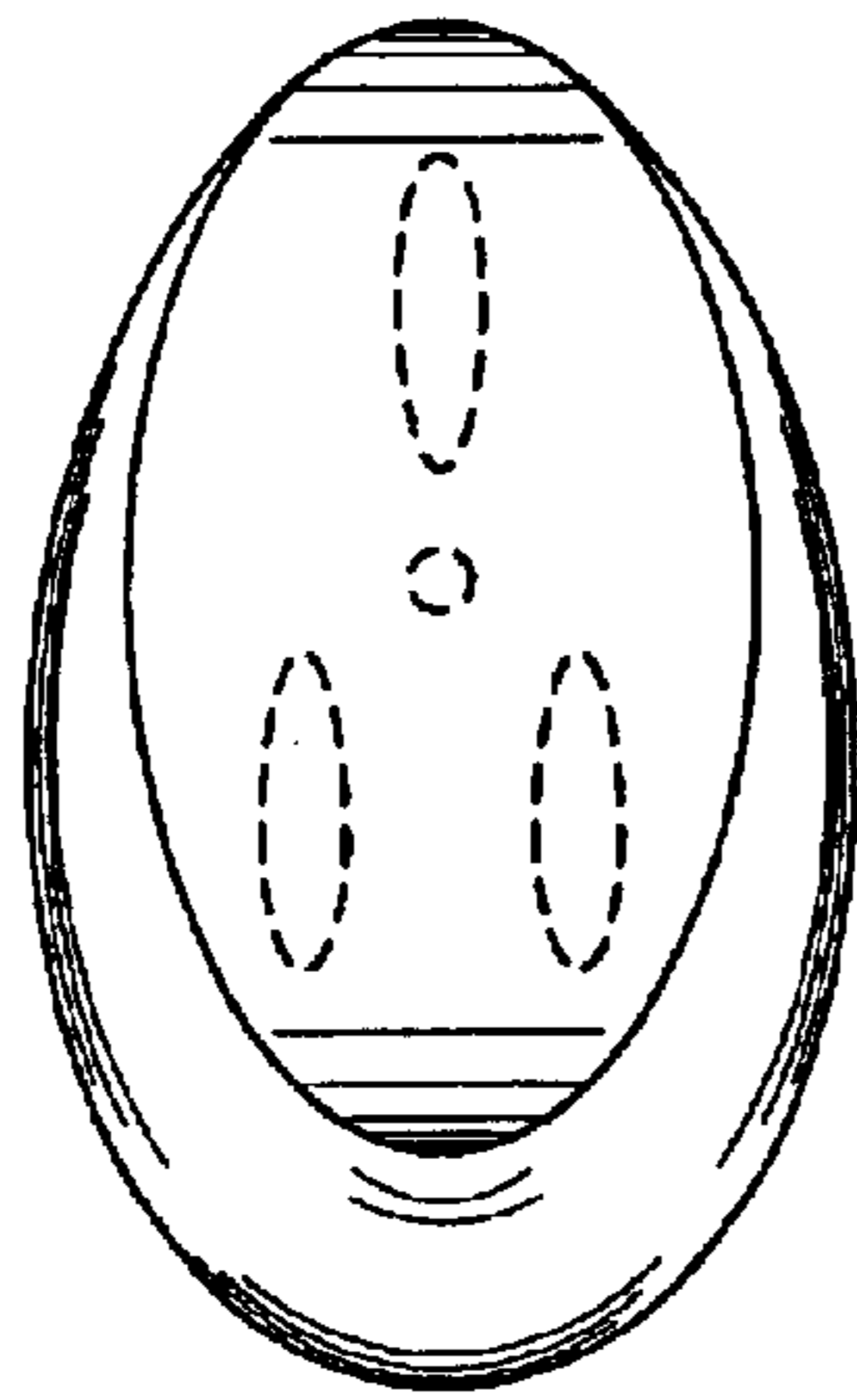


FIG. 13