



US00D493129S1

(12) **United States Design Patent**
Waters et al.

(10) **Patent No.:** **US D493,129 S**
(45) **Date of Patent:** **** Jul. 20, 2004**

(54) **YAW CONTROL**

(75) Inventors: **Scott Waters**, Hollis, NH (US);
Shin-Tao Chang, Nashua, NH (US)

(73) Assignee: **Segway LLC**, Manchester, NH (US)

(**) Term: **14 Years**

(21) Appl. No.: **29/171,766**

(22) Filed: **Nov. 27, 2002**

(51) **LOC (7) Cl.** **12-14**

(52) **U.S. Cl.** **D12/174; D12/1**

(58) **Field of Search** **D12/1, 174, 178-179;**
180/211, 19.1, 78, 218, 333, 315; 74/551.8-551.9

(56) **References Cited**

U.S. PATENT DOCUMENTS

D271,292 S	*	11/1983	Wilson et al.	D12/180
D299,333 S	*	1/1989	Coue	D12/179
5,314,034 A	*	5/1994	Chittal	180/21
5,971,091 A	*	10/1999	Kamen et al.	180/218

D418,096 S	*	12/1999	Hubbart	D12/178
6,276,230 B1	*	8/2001	Crum et al.	74/551.9
6,543,564 B1	*	4/2003	Kamen et al.	180/89.13
6,581,714 B1	*	6/2003	Kamen et al.	180/333

* cited by examiner

Primary Examiner—Nelson C. Holtje

(74) *Attorney, Agent, or Firm*—Bromberg & Sunstein LLP

(57) **CLAIM**

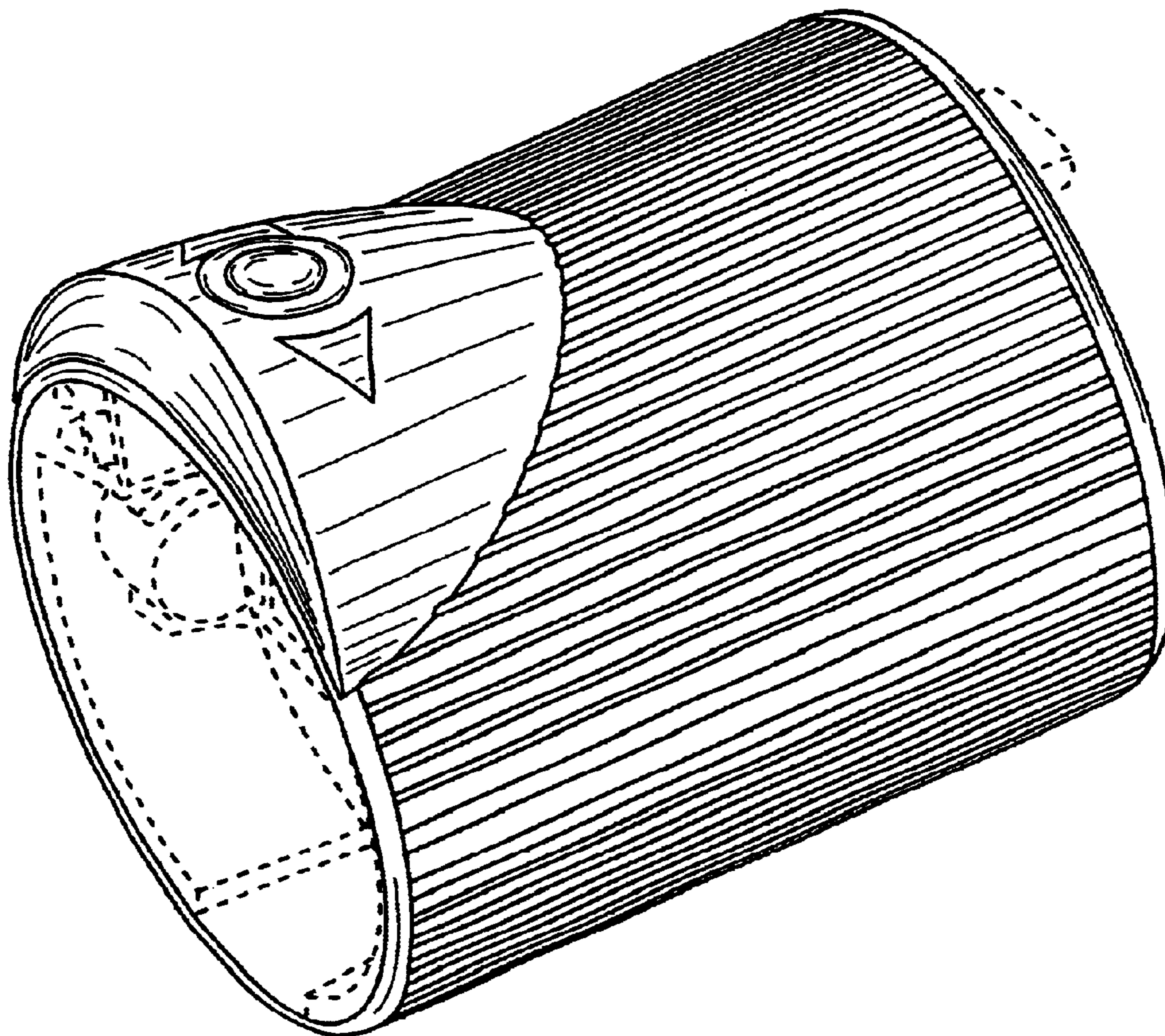
The ornamental design for a yaw control, as shown and described.

DESCRIPTION

FIG. 1 shows a perspective view of a yaw control according to a preferred embodiment; and, FIG. 2 is a perspective view thereof showing the yaw control in its environment.

The broken line showing of the handle and unclaimed portions is for illustrative purposes only and forms no part of the claimed design.

1 Claim, 2 Drawing Sheets



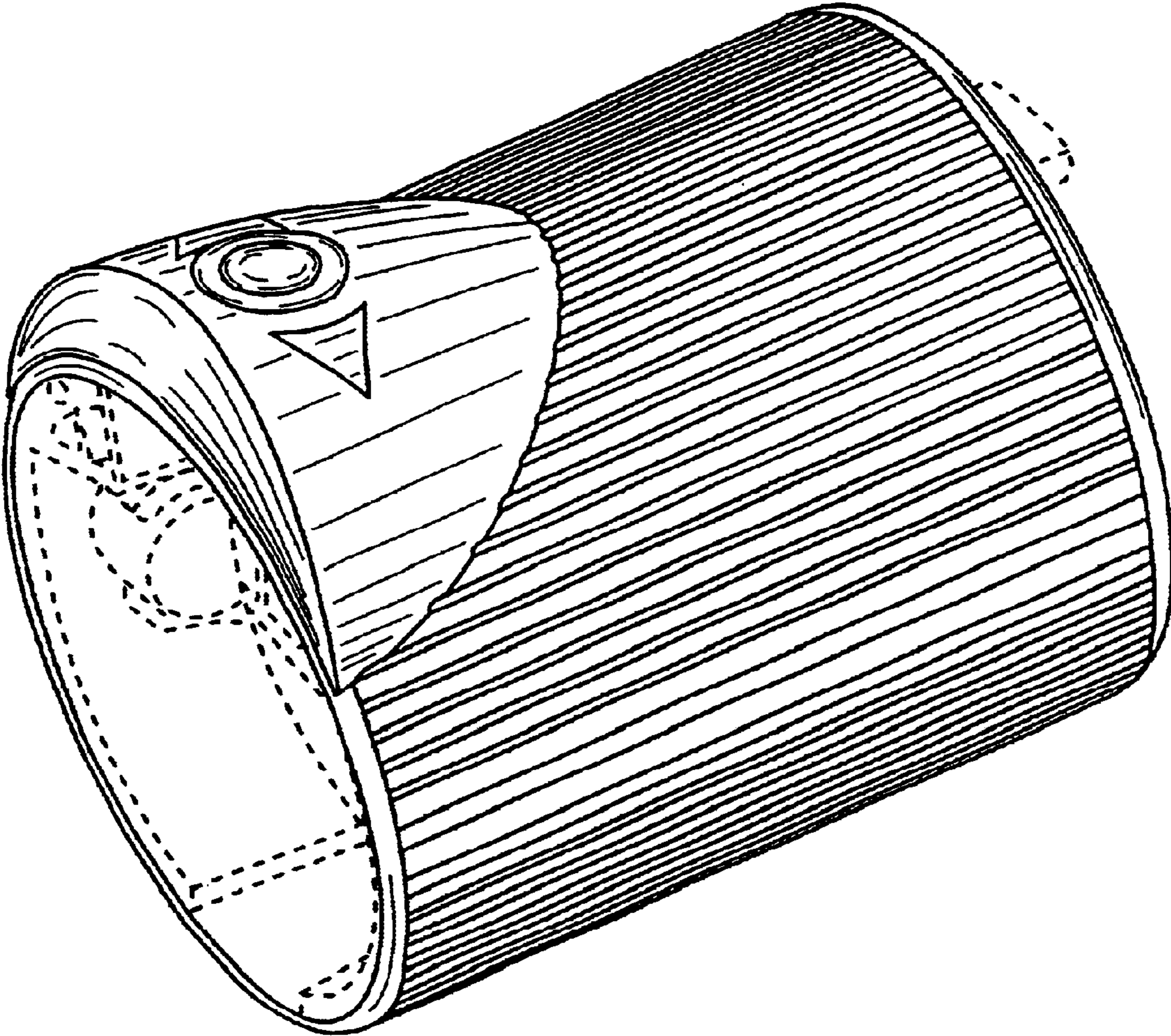


FIG. 1

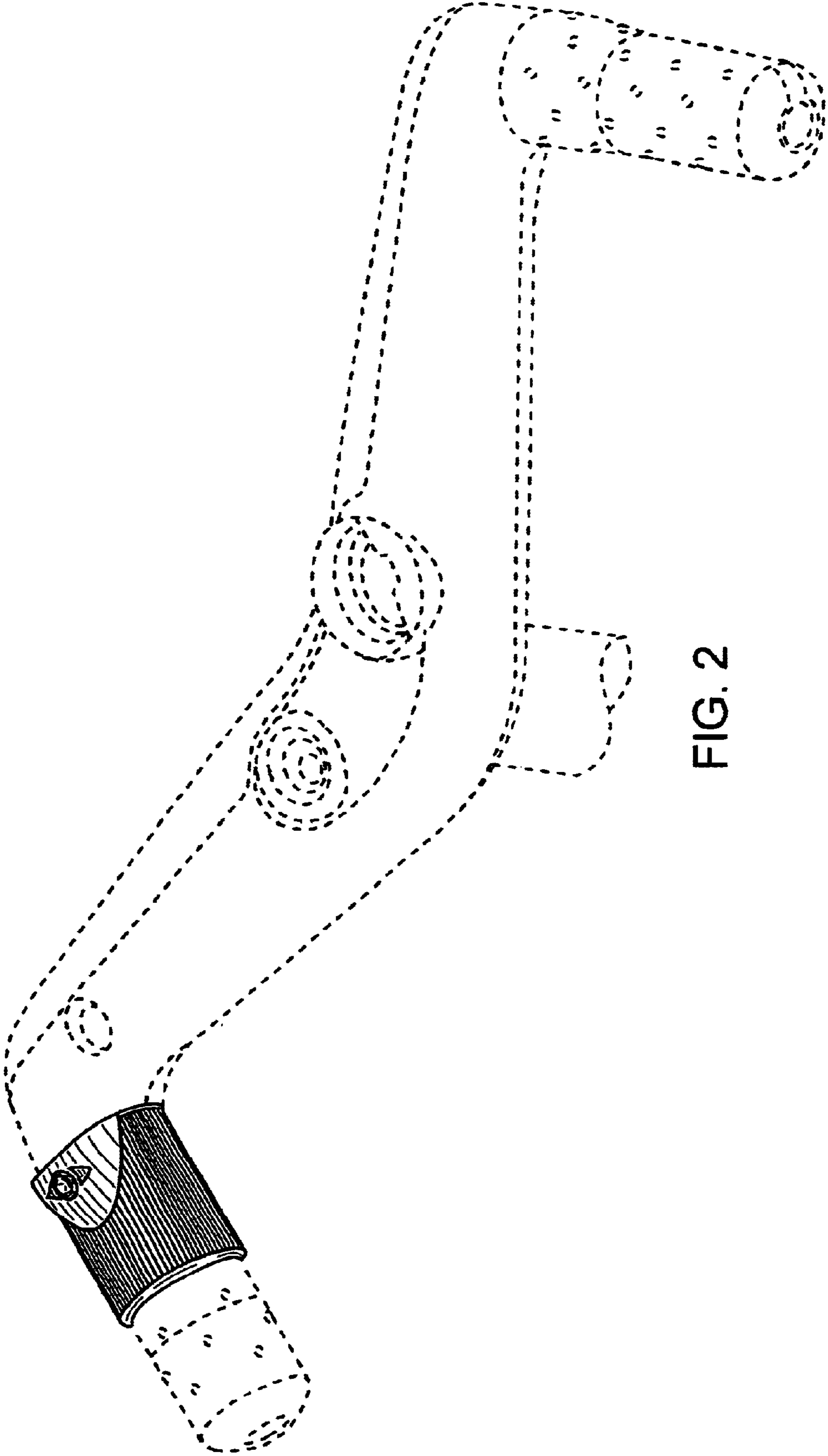


FIG. 2