

US00D493128S1

(12) **United States Design Patent**
Waters et al.

(10) **Patent No.:** **US D493,128 S**
(45) **Date of Patent:** **** Jul. 20, 2004**

(54) **PERSONAL TRANSPORTER**

(75) Inventors: **Scott Waters**, Hollis, NH (US);
Shin-Tao Chang, Nashua, NH (US);
Ronald K. Reich, Merrimack, NH
(US); **Richard W. Arling**, Windham,
NH (US); **Kevin Webber**, Deerfield,
NH (US); **Joseph A. Hoell, Jr.**,
Milford, NH (US); **J. Douglas Field**,
Bedford, NH (US)

(73) Assignee: **Segway LLC**, Manchester, NH (US)

(**) Term: **14 Years**

(21) Appl. No.: **29/171,747**

(22) Filed: **Nov. 27, 2002**

(51) **LOC (7) Cl.** **12-14**

(52) **U.S. Cl.** **D12/174; D12/1**

(58) **Field of Search** D12/1, 128, 131,
D12/107, 121, 174-175, 178-181, 184-186;
180/180; 280/220-221, 11.115, 842

(56) **References Cited**

U.S. PATENT DOCUMENTS

D208,791 S * 10/1967 Purdy D21/423

D337,622 S * 7/1993 Schiffman D21/423
D390,281 S * 2/1998 O'Rourke D21/423
D443,000 S * 5/2001 Chen D21/423
D447,187 S * 8/2001 Powers D21/423
D460,788 S * 7/2002 Kwok D21/423
D463,508 S * 9/2002 Stroppiana D21/423
D464,379 S * 10/2002 Lin D21/423
D479,167 S * 9/2003 Faust et al. D12/174

* cited by examiner

Primary Examiner—Nelson C. Holtje

(74) *Attorney, Agent, or Firm*—Bromberg & Sunstein LLP

(57) **CLAIM**

The ornamental design for a personal transporter, as shown and described.

DESCRIPTION

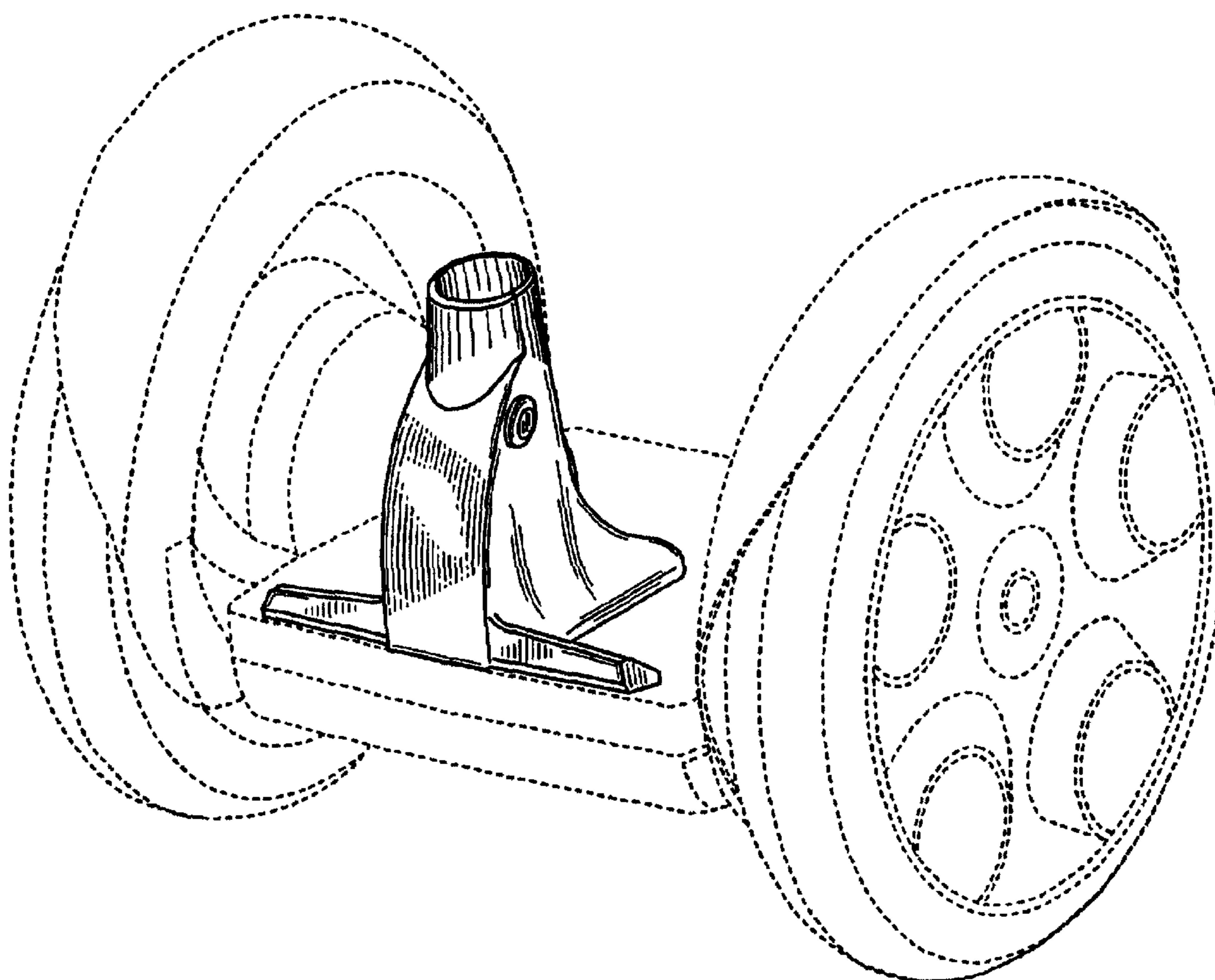
FIG. 1 shows a front view of a personal transporter according to a preferred embodiment.

FIG. 2 shows a back view of a personal transporter according to FIG. 1.

FIG. 3 shows a side view of a personal transporter according to FIG. 1; and,

FIG. 4 shows a rear view of a personal transporter attaching to a platform, according to FIG. 1.

1 Claim, 2 Drawing Sheets



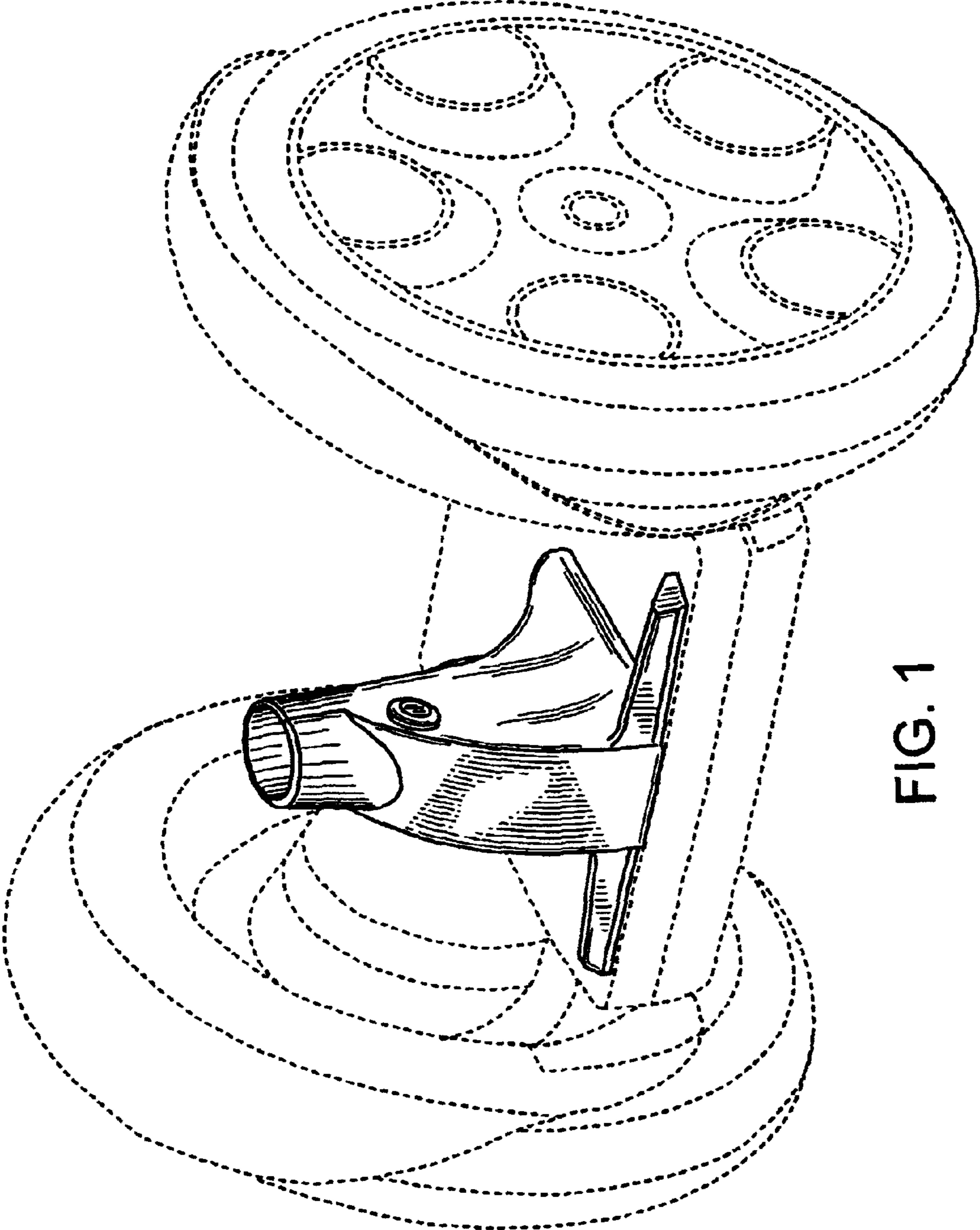


FIG. 1

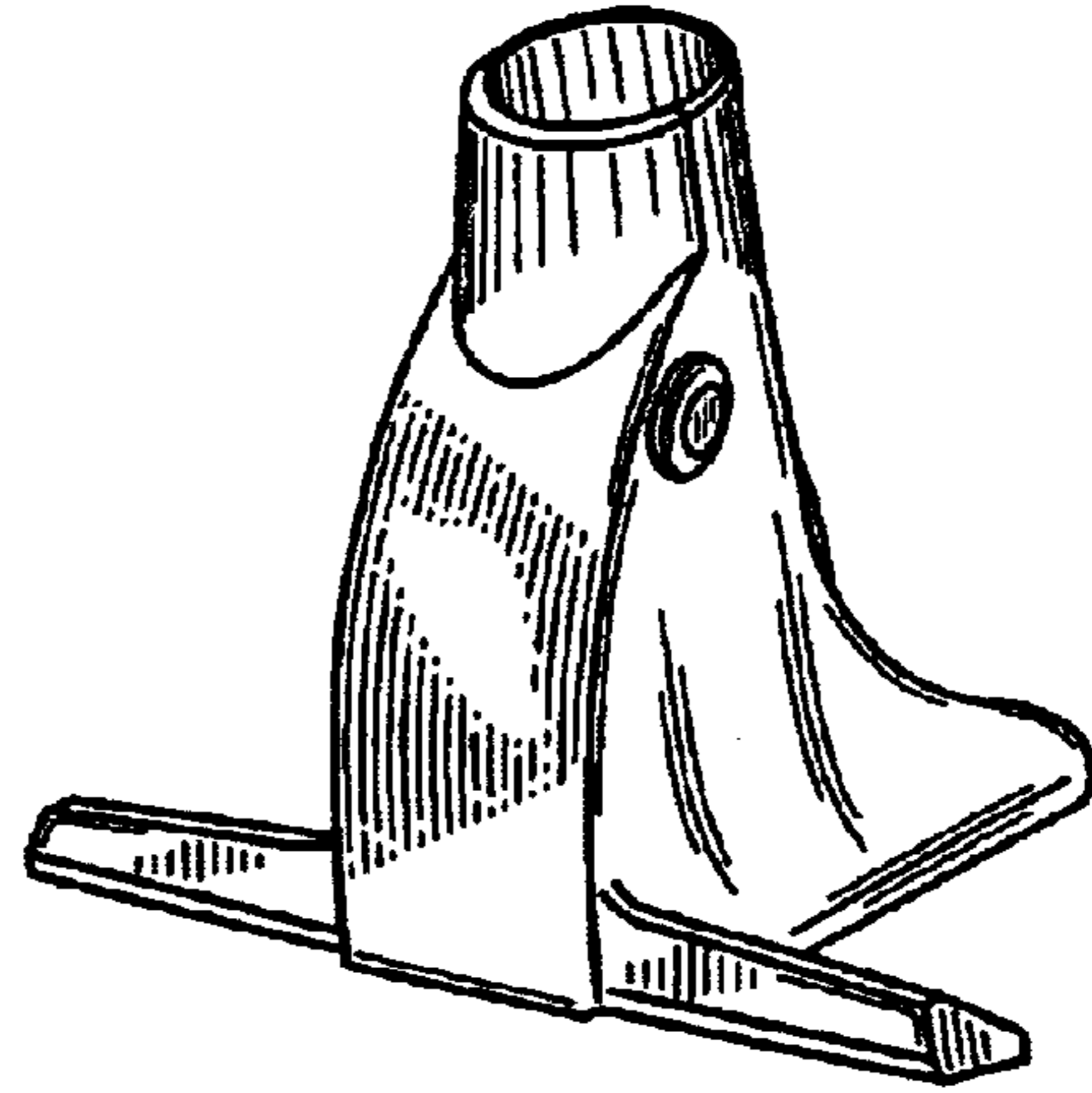


FIG. 2

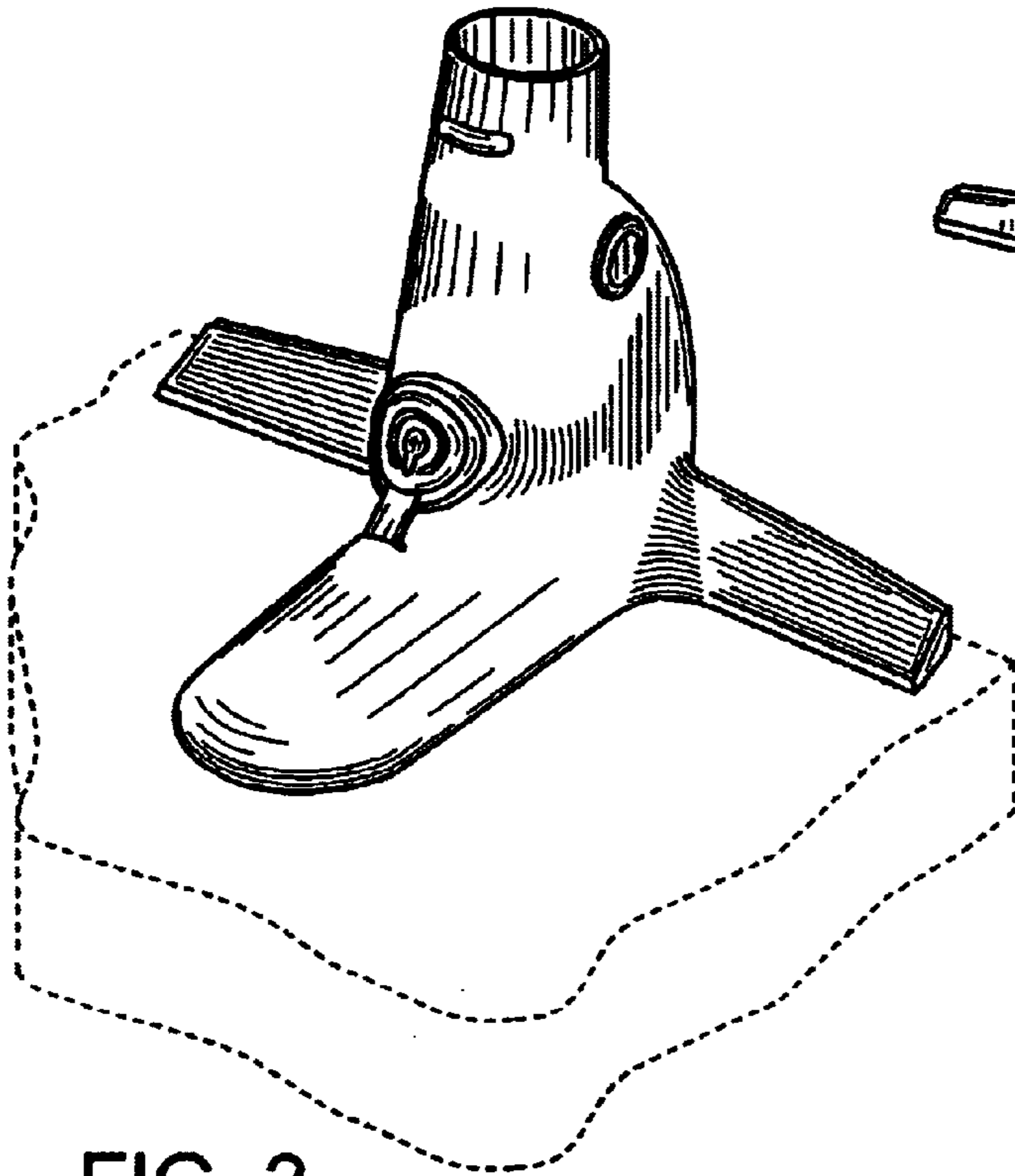


FIG. 3

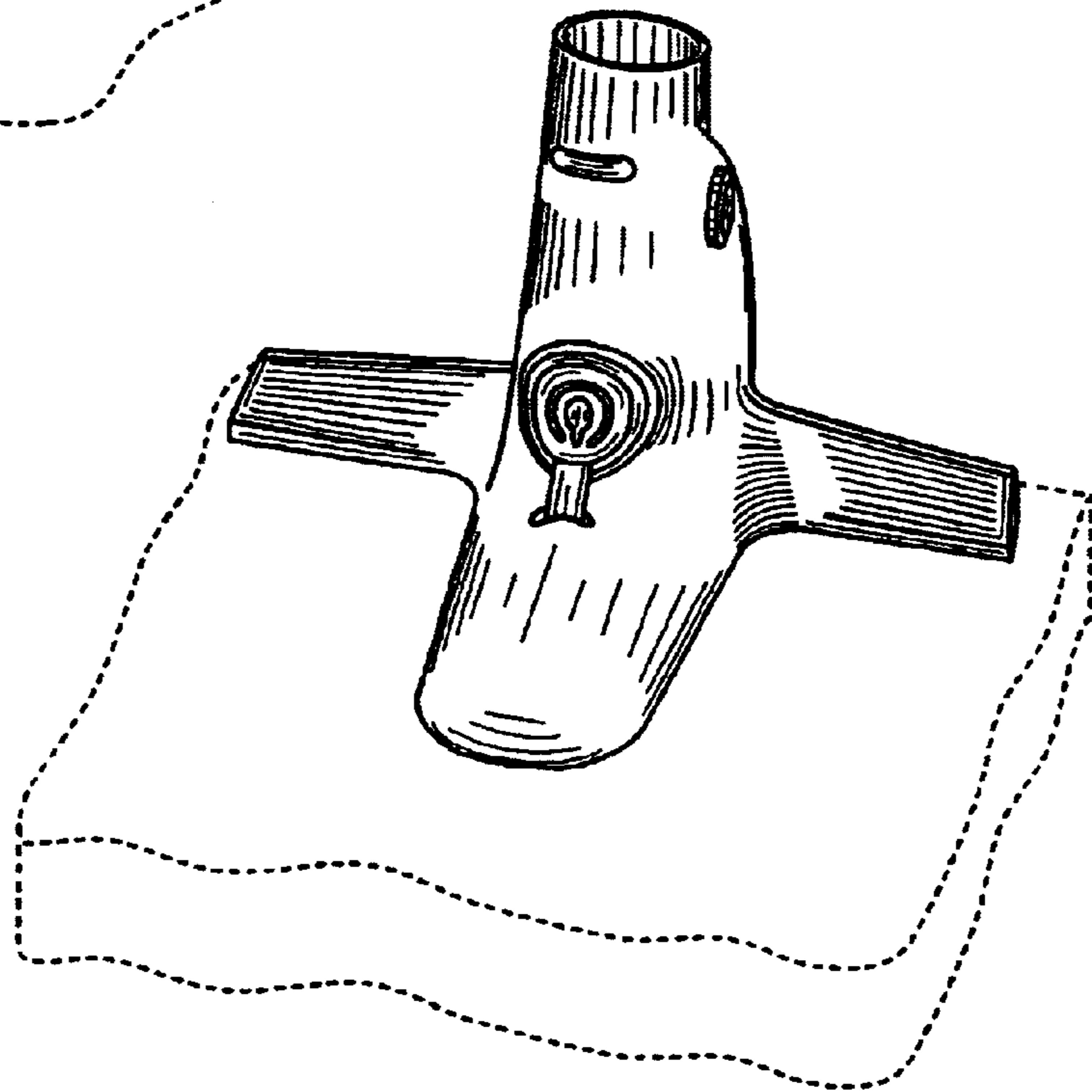


FIG. 4