

US00D493125S1

(12) **United States Design Patent**
Kempler et al.

(10) **Patent No.:** **US D493,125 S**
(45) **Date of Patent:** **** Jul. 20, 2004**

(54) **ANIMATED WALKER**

D404,345 S * 1/1999 Donets D12/130
D474,133 S * 5/2003 Cerelli D12/130

(76) Inventors: **Cecelia Kempler**, 24847 Deep Water Point Dr., St. Michaels, MD (US) 21663; **Donald Wooters**, 5600 Oxford Rd., Oxford, MD (US) 21654

* cited by examiner

Primary Examiner—Marcus A Jackson
(74) *Attorney, Agent, or Firm*—Elizabeth Stanley; LeBoeuf, Lamb, Greene & MacRae, LLP

(**) **Term:** **14 Years**

(57) **CLAIM**

(21) Appl. No.: **29/191,714**

An ornamental design for an animated walker, as shown and described.

(22) Filed: **Oct. 14, 2003**

(51) **LOC (7) Cl.** **12-12**

(52) **U.S. Cl.** **D12/130**

(58) **Field of Search** D12/128-133;
135/66, 67, 72, 74; 297/5, 6; 280/47.3,
87.051, 755

DESCRIPTION

FIG. 1 is a front perspective view of an animated walker, showing my new design.

FIG. 2 is a rear view of FIG. 1.

FIG. 3 is a right side view of FIG. 1.

FIG. 4 is a left side view of FIG. 1.

FIG. 5 is a top view of FIG. 1; and,

FIG. 6 is a bottom view of FIG. 1.

(56) **References Cited**

U.S. PATENT DOCUMENTS

D397,644 S * 9/1998 Douglass D12/130

1 Claim, 6 Drawing Sheets

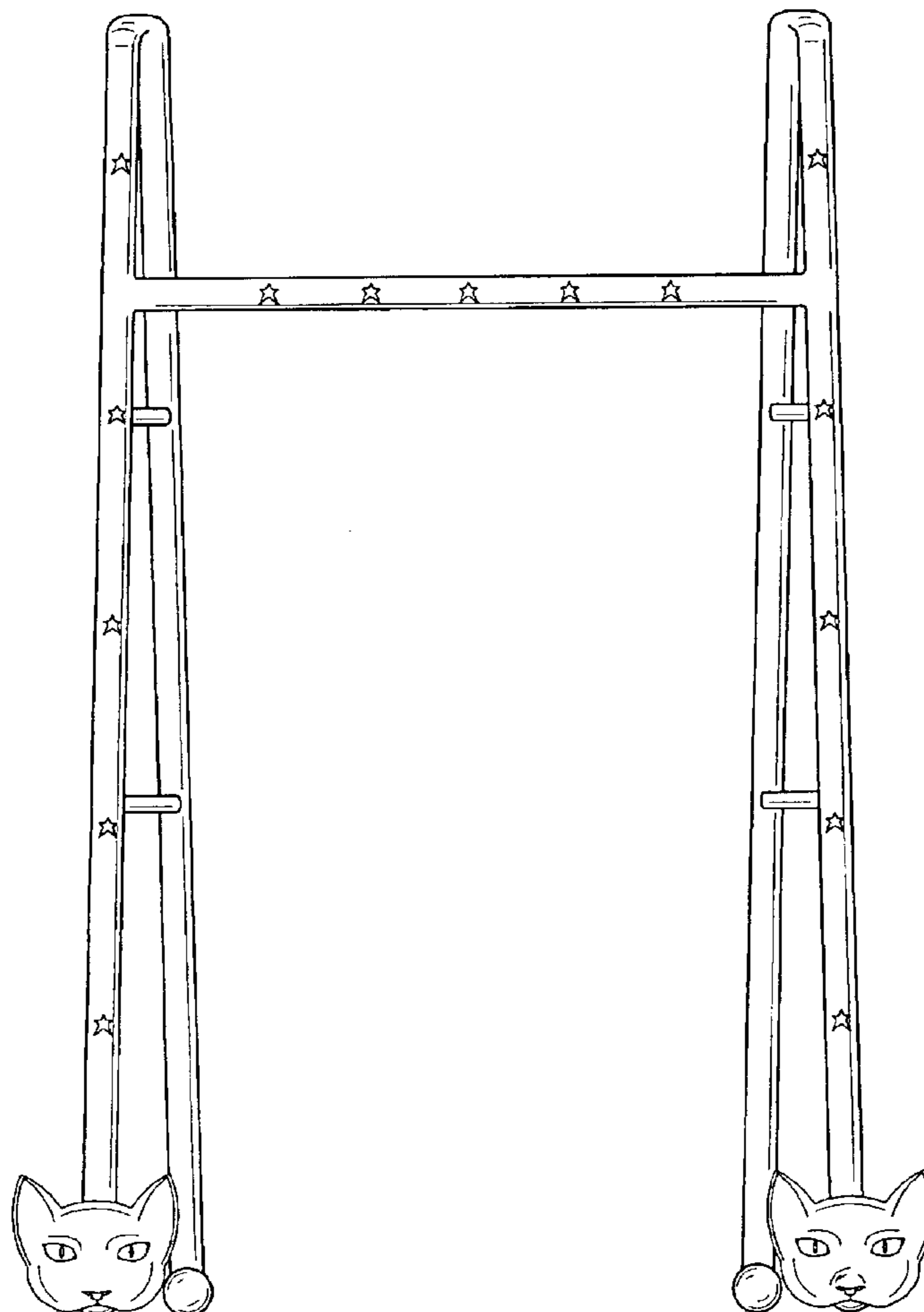


FIG. 1

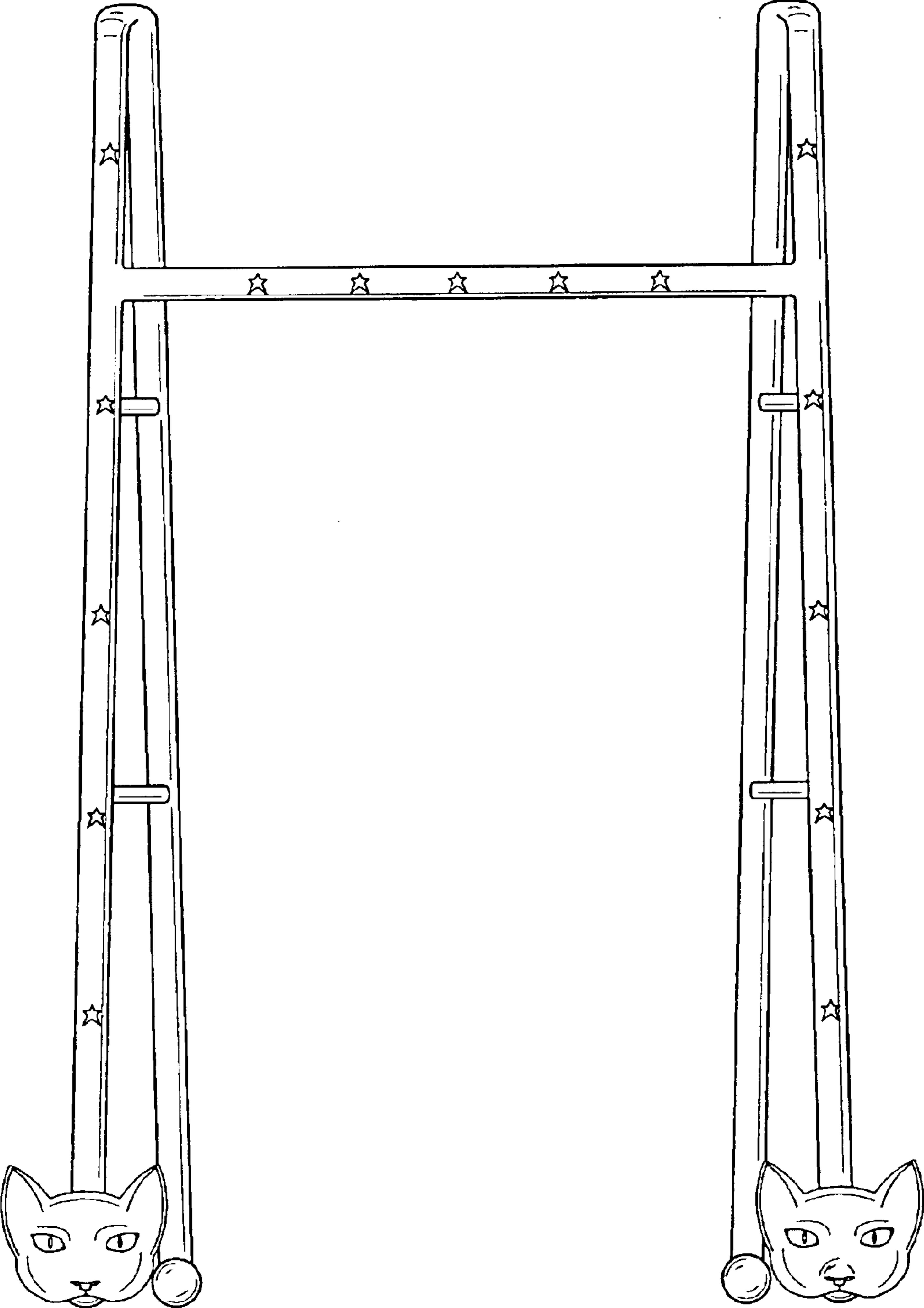


FIG. 2

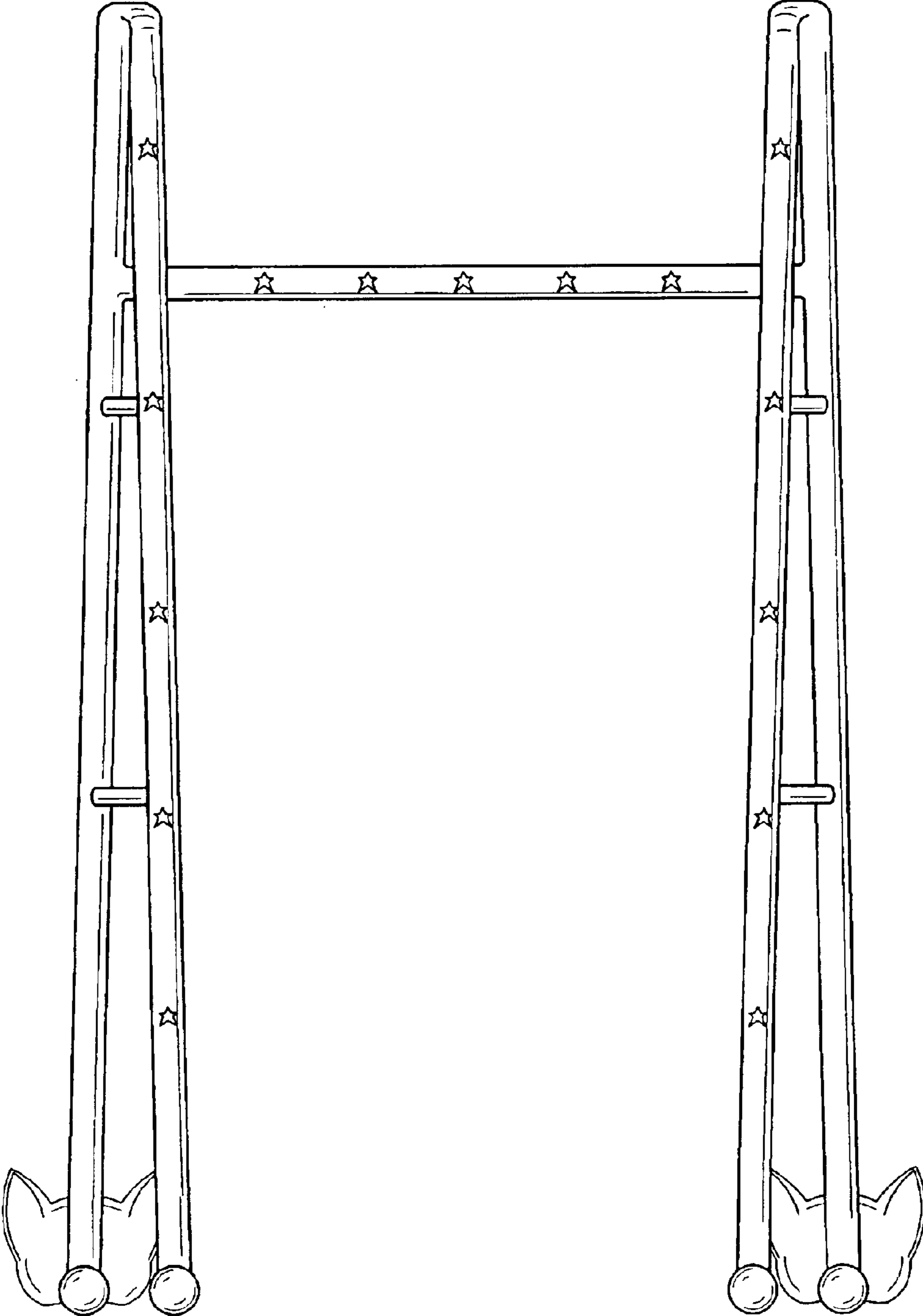


FIG. 3

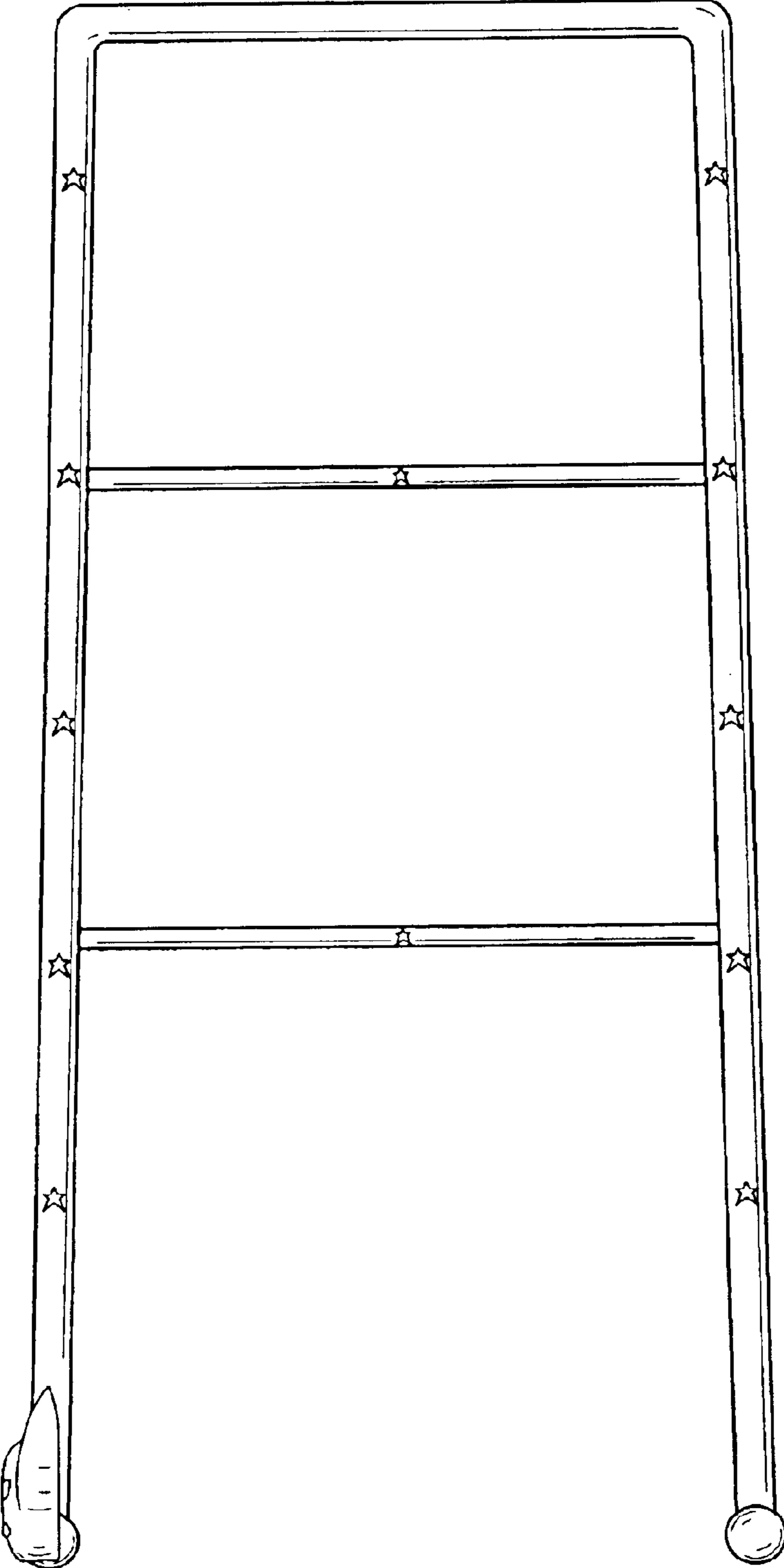


FIG. 4

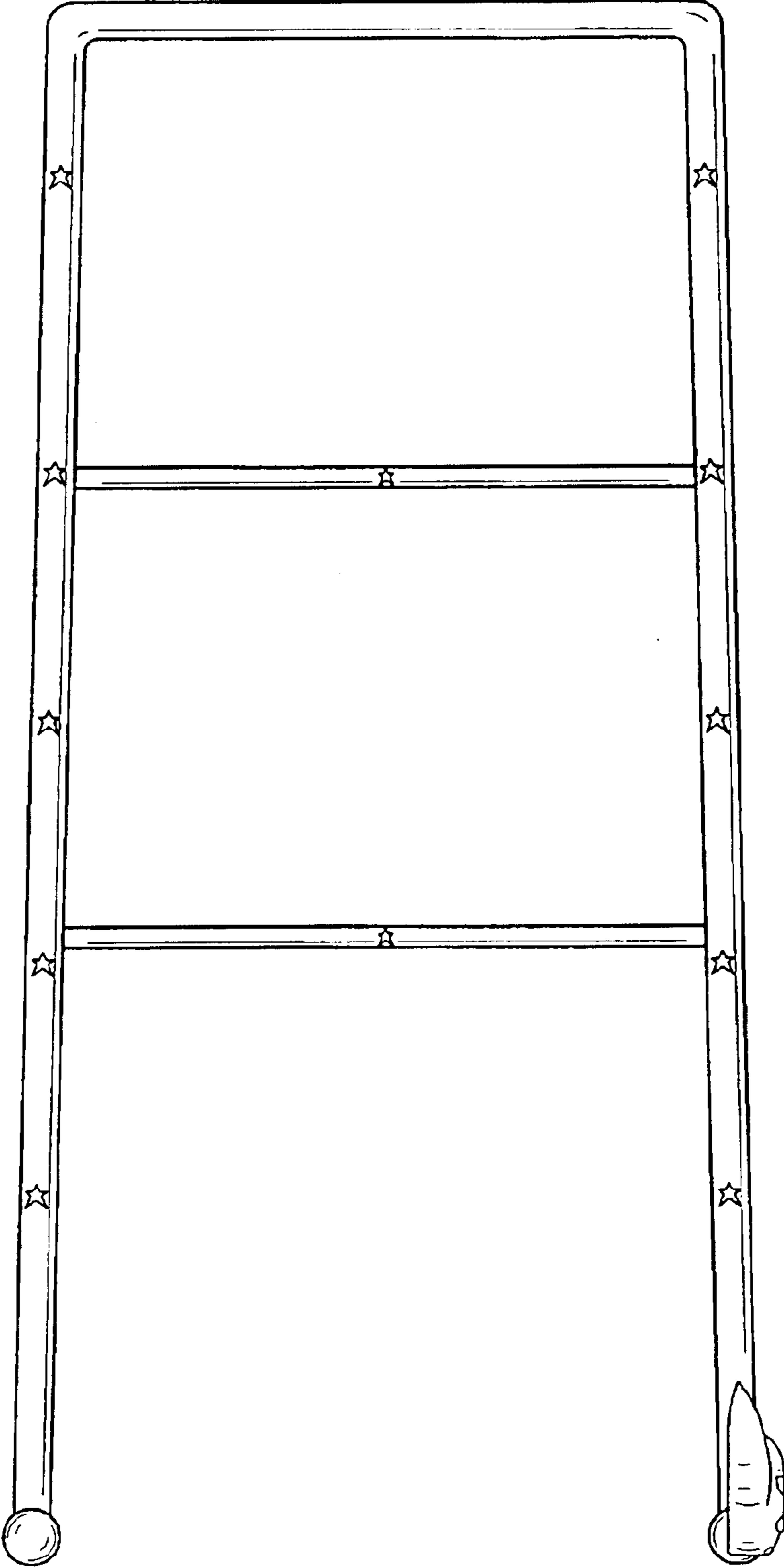


FIG. 5

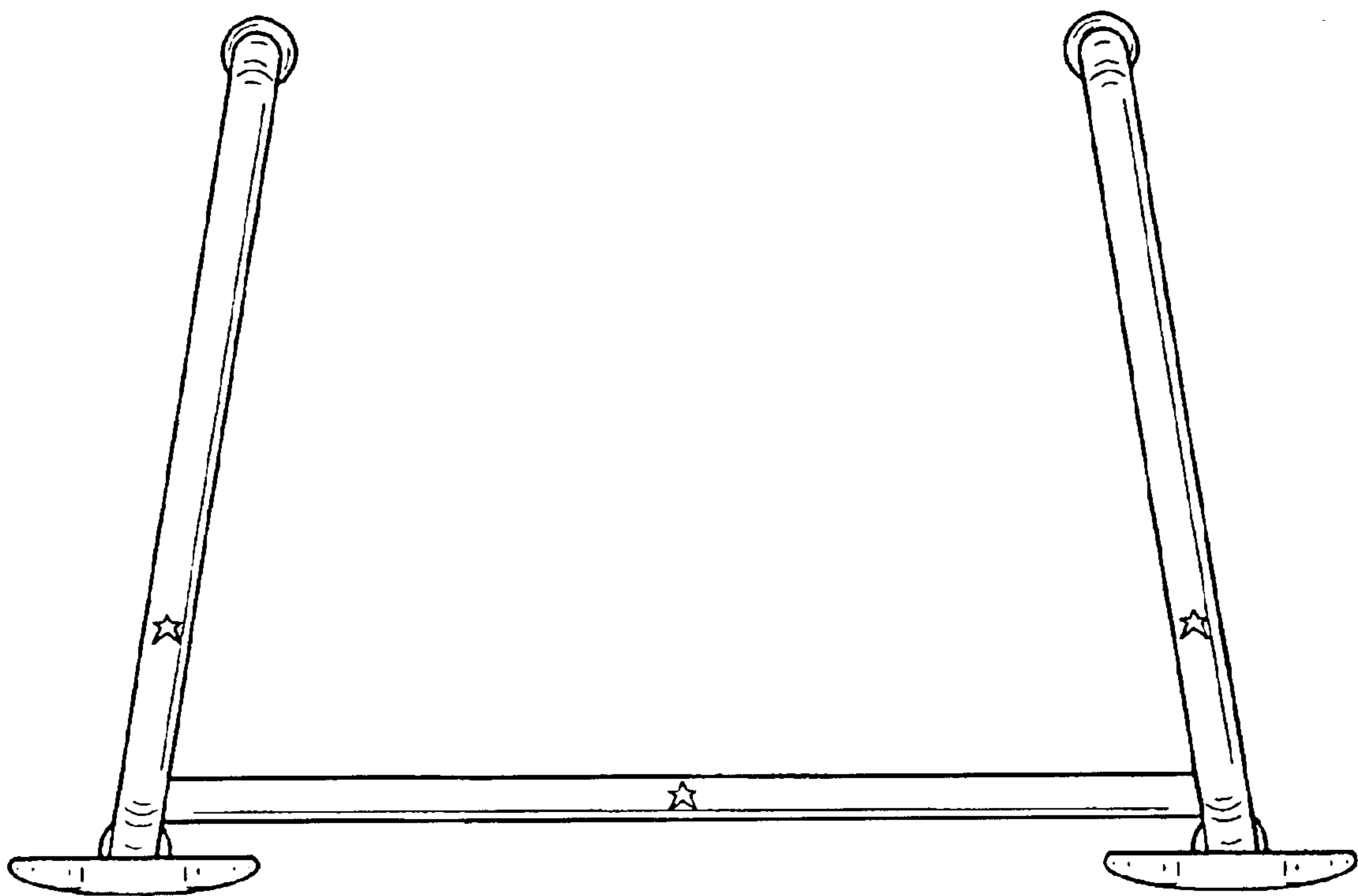


FIG. 6

