

US00D493124S1

(12) **United States Design Patent**
Schuster

(10) **Patent No.:** **US D493,124 S**
(45) **Date of Patent:** **** Jul. 20, 2004**

(54) **PATIENT TRANSFER DEVICE**
(75) **Inventor:** **Jürg Schuster, Zumikon (CH)**
(73) **Assignee:** **Samarit Medizintechnik
Aktiengesellschaft, Zumikon (CH)**
(**) **Term:** **14 Years**
(21) **Appl. No.:** **29/173,971**
(22) **Filed:** **Jan. 9, 2003**
(51) **LOC (7) Cl.** **12-12**
(52) **U.S. Cl.** **D12/128**
(58) **Field of Search** **D12/128-133;**
5/81.1 R, 625, 627, 630, 634, 636, 644,
645

(56) **References Cited**
U.S. PATENT DOCUMENTS
D358,790 S * 5/1995 Schuster D12/128
D379,784 S * 6/1997 Muhanna et al. D12/128
D407,670 S * 4/1999 Muhanna D12/128

* cited by examiner

Primary Examiner—Marcus A. Jackson
(74) *Attorney, Agent, or Firm*—Koda & Androlia

(57) **CLAIM**
The ornamental design for a patient transfer device, as shown and described.

DESCRIPTION
FIG. 1 is a front view of the patient transfer device showing my new design;
FIG. 2 is a rear view thereof;
FIG. 3 is a top plan view thereof;
FIG. 4 is a bottom plan view thereof;
FIG. 5 is a right side elevational view thereof, the left side elevational view being a mirror image of the left side view;
FIG. 6 is a front view thereof with the endless band turned;
FIG. 7 is rear view thereof;
FIG. 8 is right side elevational view thereof;
FIG. 9 is an enlarged sectional view taken along the line 9—9 in FIG. 1;
FIG. 10 is an enlarged sectional view taken along the line 10—10 in FIG. 1;
FIG. 11 is an enlarged sectional view taken along the line 11—11 in FIG. 1;
FIG. 12 is an enlarged sectional view taken along the line 12—12 in FIG. 1; and,
FIG. 13 is an enlarged sectional view taken along the line 13—13 FIG. 1.

1 Claim, 5 Drawing Sheets

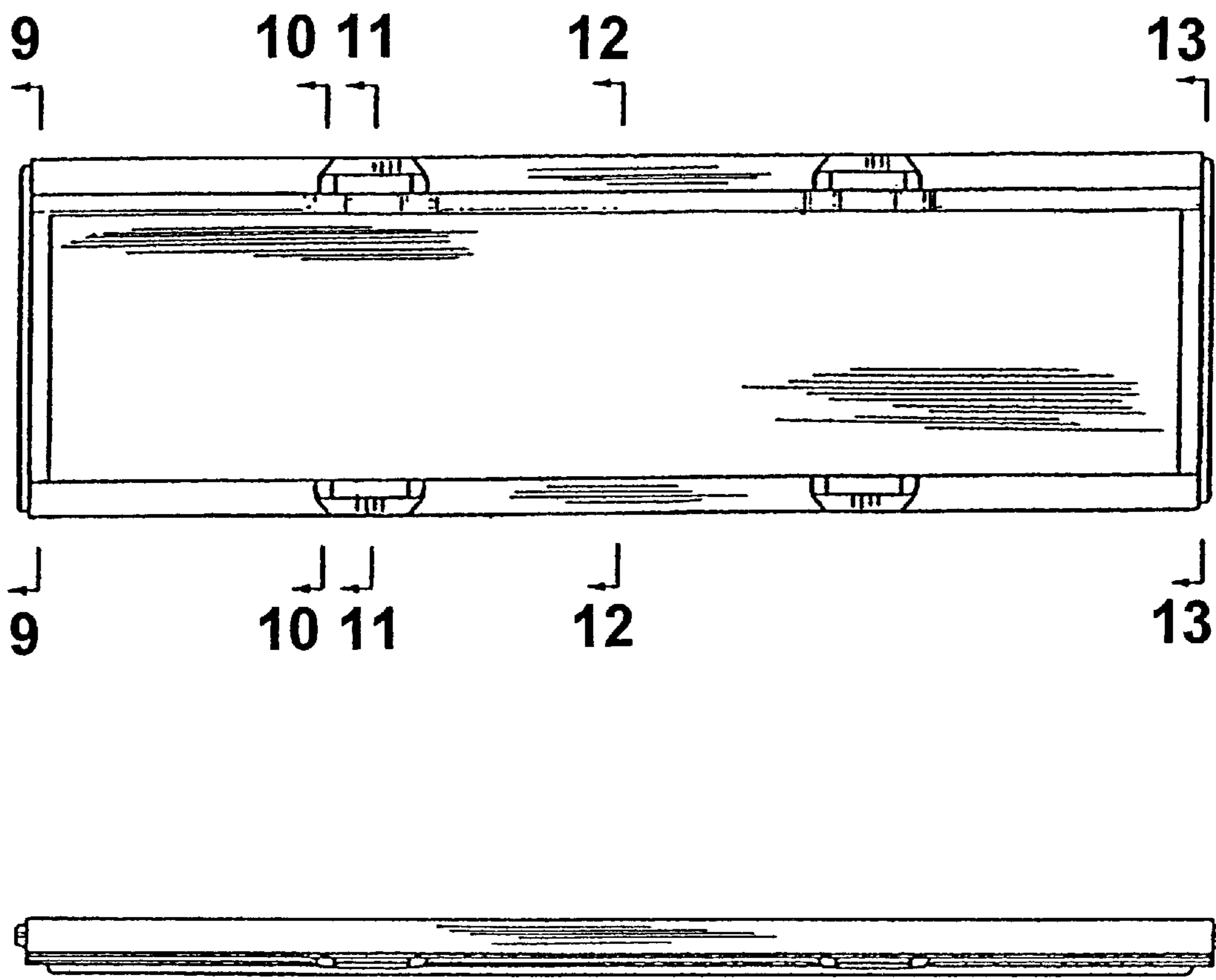


FIG. 1

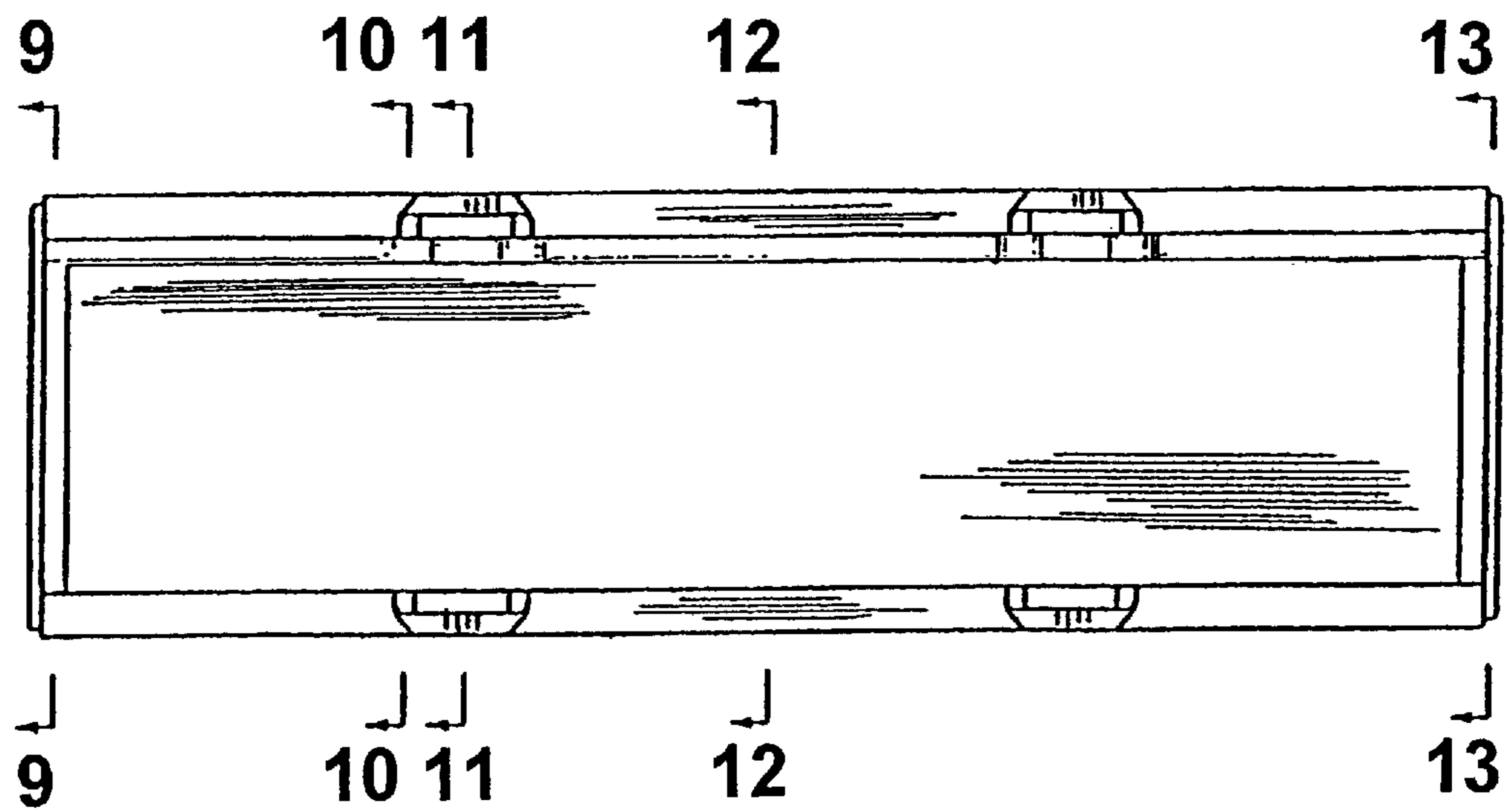


FIG. 2

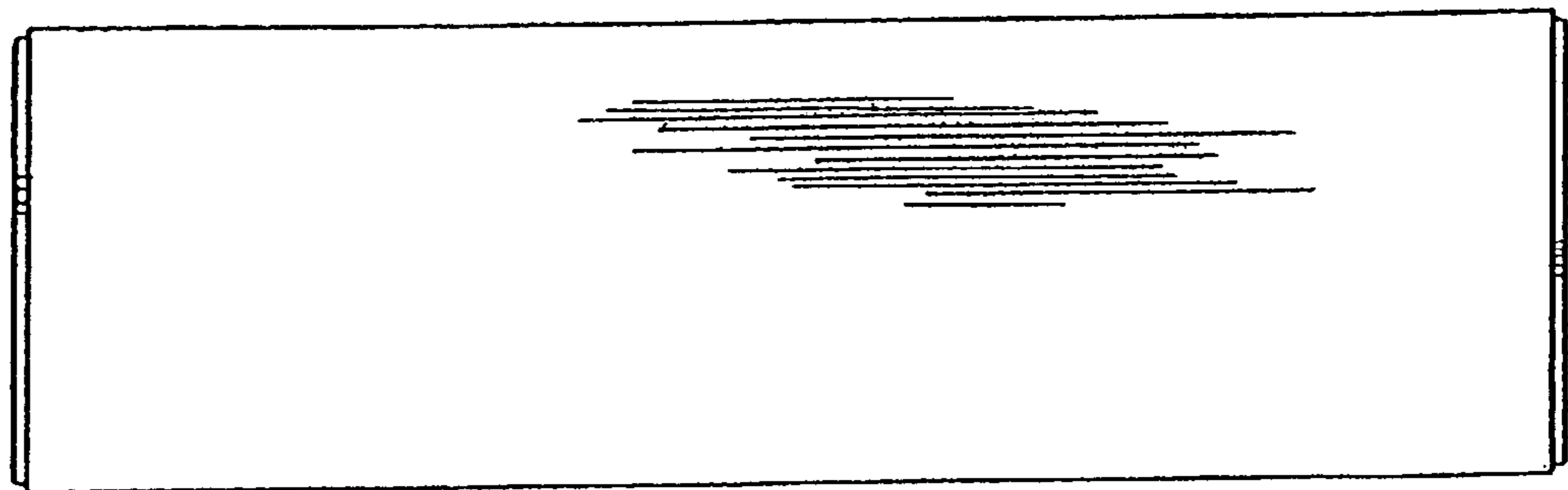


FIG. 3

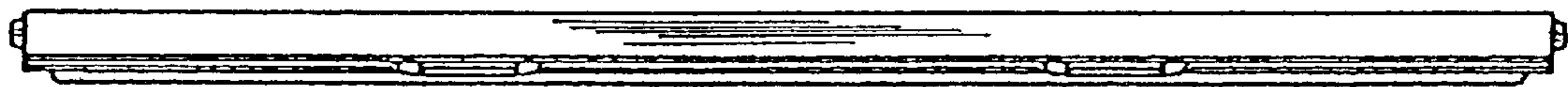


FIG. 4

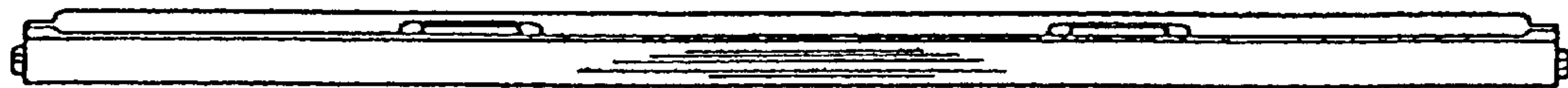


FIG. 5

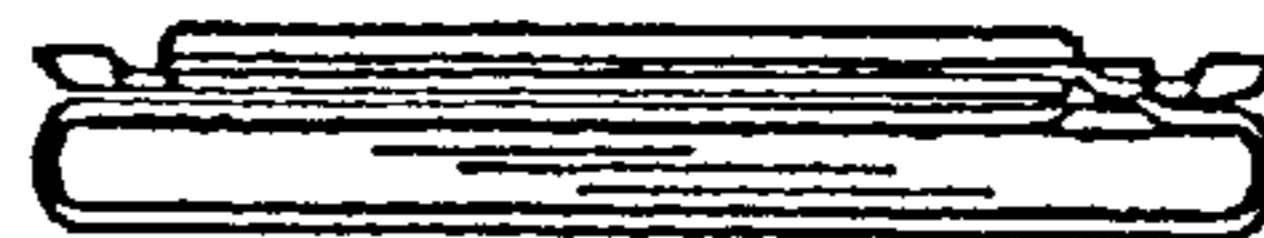


FIG. 6

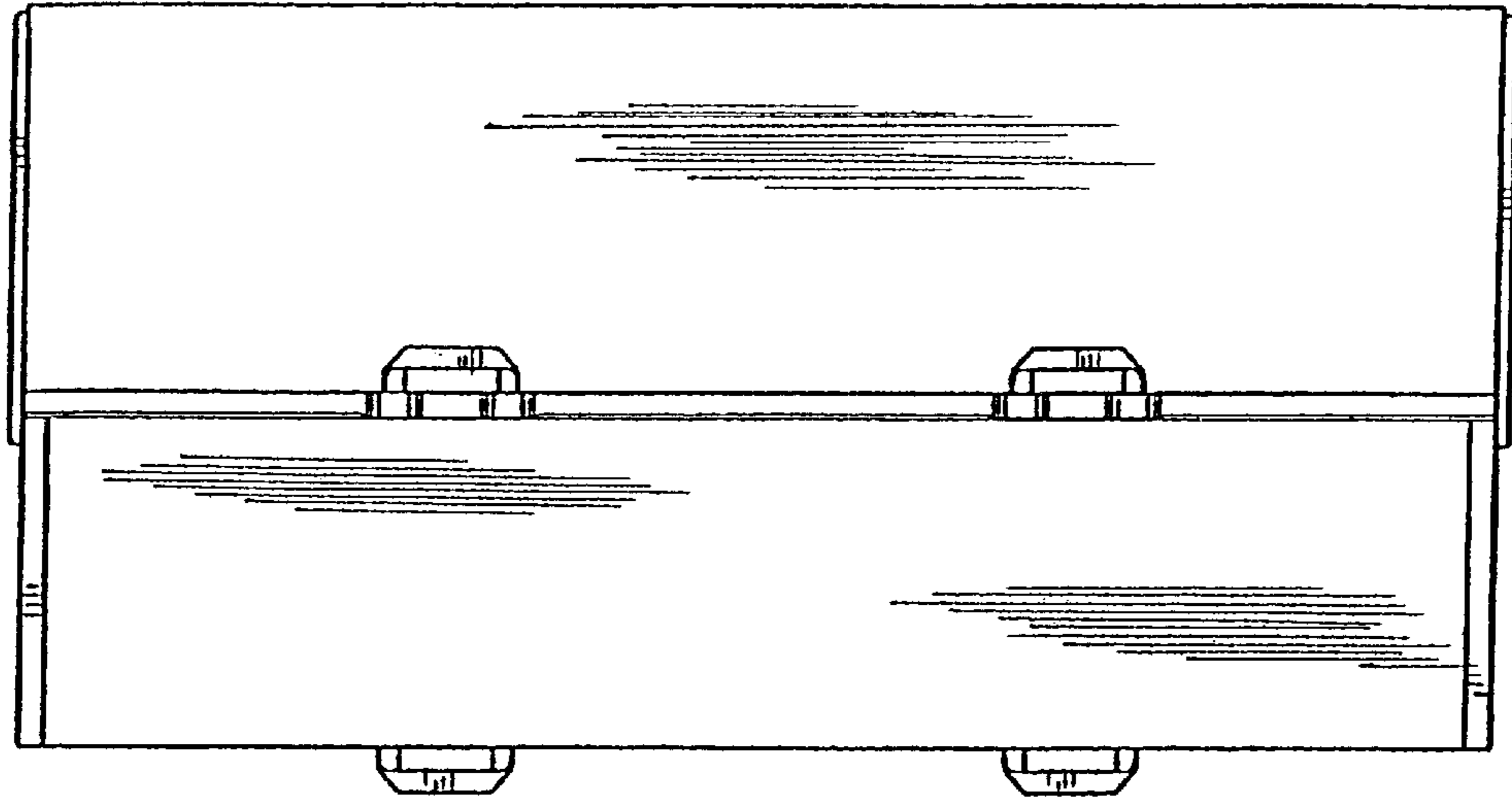


FIG. 7

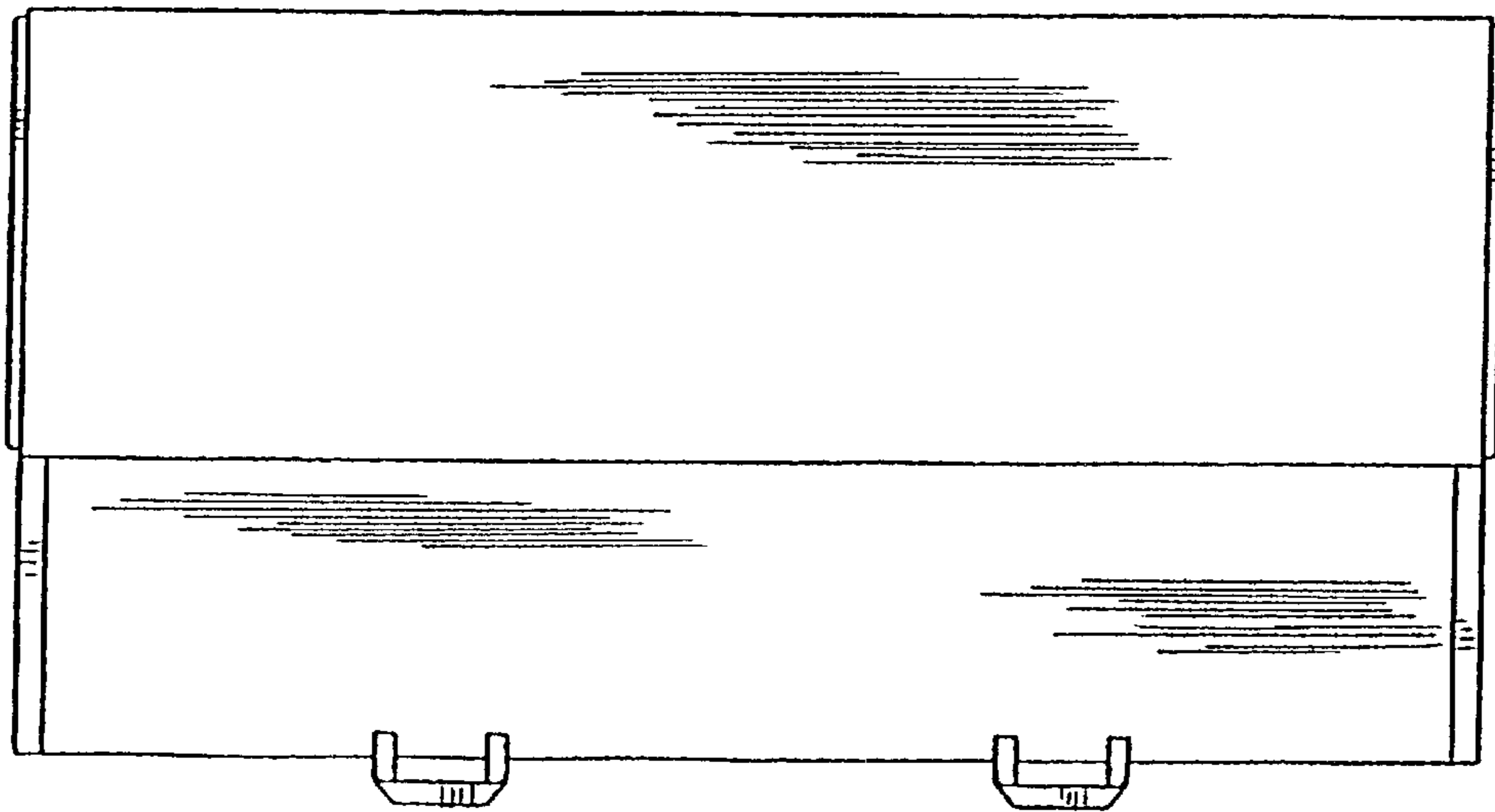


FIG. 8



FIG. 9

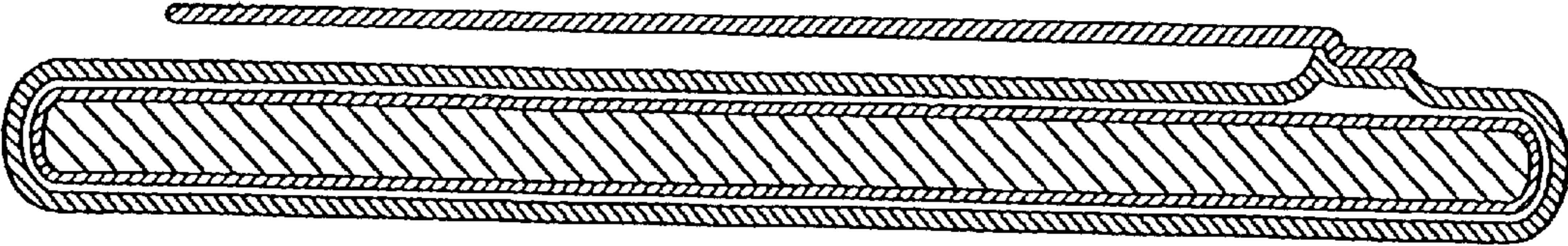


FIG. 10

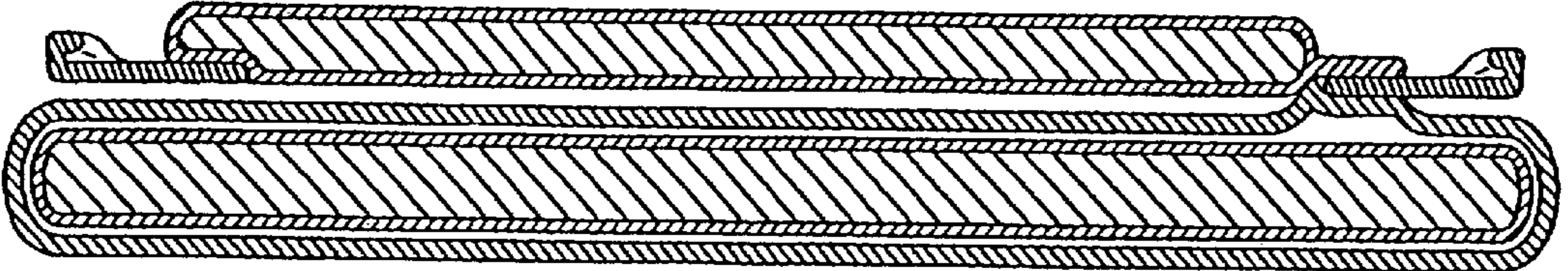


FIG. 11

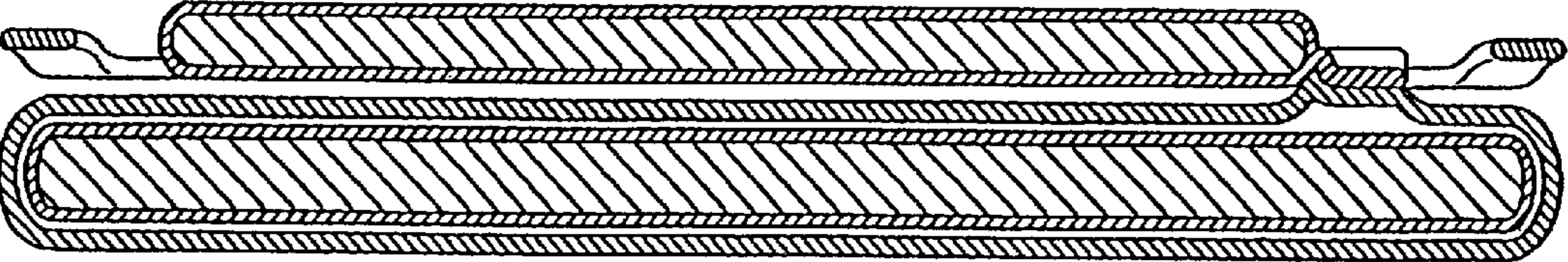


FIG. 12

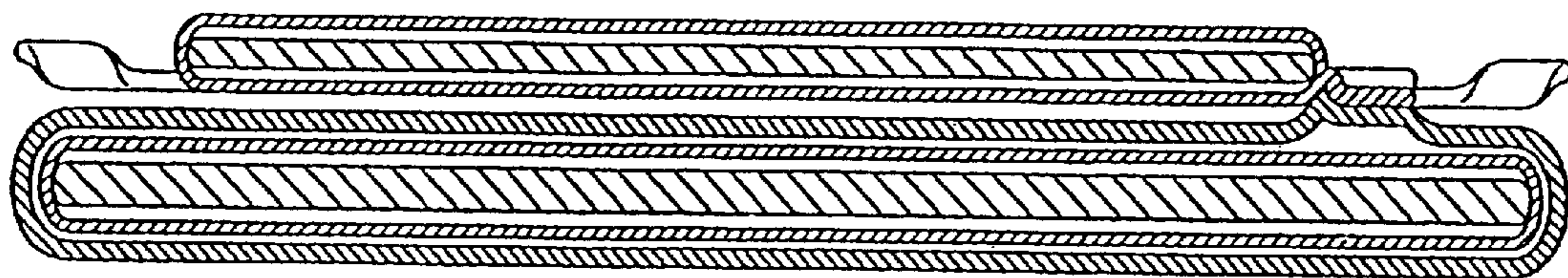
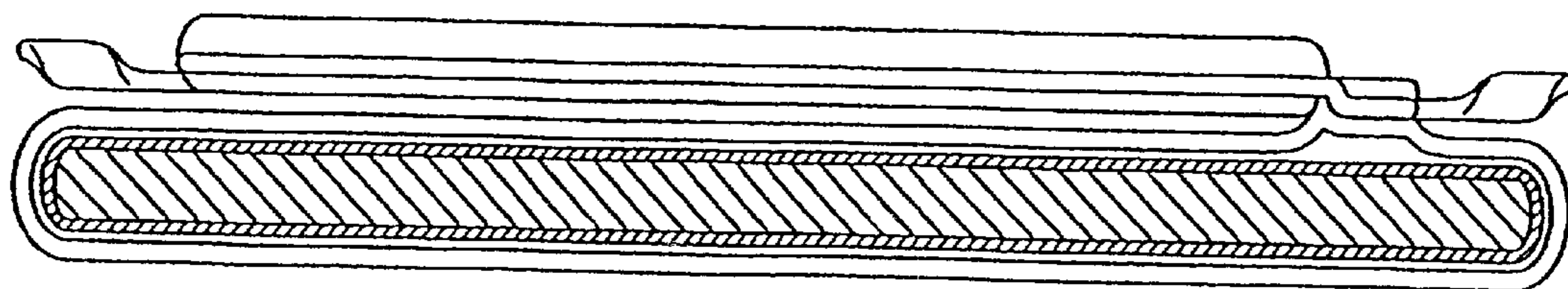


FIG. 13



UNITED STATES PATENT AND TRADEMARK OFFICE
CERTIFICATE OF CORRECTION

PATENT NO. : Des. 493,124 S
DATED : July 20, 2004
INVENTOR(S) : Jürg Schuster

Page 1 of 1

It is certified that error appears in the above-identified patent and that said Letters Patent is hereby corrected as shown below:

Title page.

Item [30], **Foreign Application Priority Data**, add:

-- July 11, 2002 (JP) 2002-018686 --.

Signed and Sealed this

Thirtieth Day of May, 2006

A handwritten signature in black ink on a dotted background. The signature reads "Jon W. Dudas" in a cursive style.

JON W. DUDAS

Director of the United States Patent and Trademark Office