

US00D493117S1

(12) **United States Design Patent**  
**Huang**

(10) **Patent No.:** **US D493,117 S**

(45) **Date of Patent:** **\*\* Jul. 20, 2004**

(54) **BASE FOR A WARNING LIGHT**

4,745,530 A \* 5/1988 Farrell, Jr. et al. .... 362/226  
D360,845 S \* 8/1995 Smith et al. .... D10/114

(76) **Inventor:** **Chun-Ming Huang**, 10F-1, No. 3,  
Paoshan 3rd St., Taichung (TW)

\* cited by examiner

(\*\*) **Term:** **14 Years**

*Primary Examiner*—Nelson C. Holtje  
(74) *Attorney, Agent, or Firm*—Bacon & Thomas PLLC

(21) **Appl. No.:** **29/185,736**

(57) **CLAIM**

(22) **Filed:** **Jul. 3, 2003**

The ornamental design for a base for a warning light, as shown and described.

(51) **LOC (7) Cl.** ..... **10-05**

(52) **U.S. Cl.** ..... **D10/114**

(58) **Field of Search** ..... D10/109, 111,  
D10/114; 362/310–311, 61, 80, 82–83,  
226; 439/571; D26/85, 88, 138, 142

**DESCRIPTION**

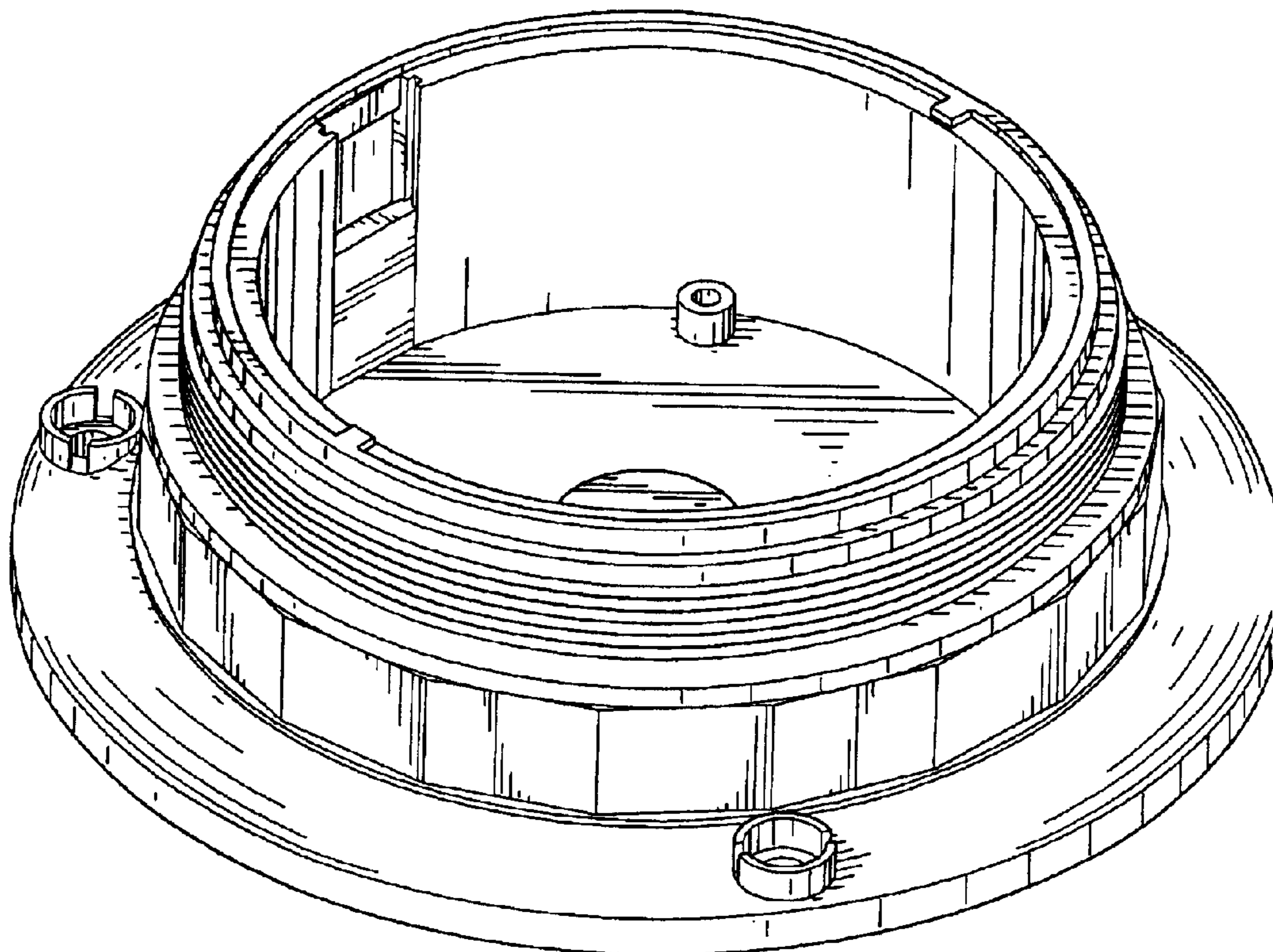
(56) **References Cited**

**U.S. PATENT DOCUMENTS**

D108,647 S	*	3/1938	Muldoon	.....	D10/114
3,504,339 A	*	3/1970	Bailey	.....	D10/114 X
D239,517 S	*	4/1976	Zowndes	.....	D10/114
D242,942 S	*	1/1977	Brudy et al.	.....	D10/114
D261,048 S	*	9/1981	Price	.....	D26/24
D267,156 S	*	12/1982	Phelps	.....	D10/114
D278,134 S	*	3/1985	Jenkins	.....	D10/114

FIG. 1 is a perspective view of a base for warning light, showing my new design;  
FIG. 2 is a front elevational view thereof;  
FIG. 3 is a rear elevational view thereof;  
FIG. 4 is a left side elevational view thereof;  
FIG. 5 is a right side elevational view thereof;  
FIG. 6 is a top plan view thereof;  
FIG. 7 is a bottom view thereof; and,  
FIG. 8 is another perspective view of FIG. 1, wherein the broken-line showing of a dome lens is for illustrative purposes only, and forms no part of the claimed design.

**1 Claim, 6 Drawing Sheets**



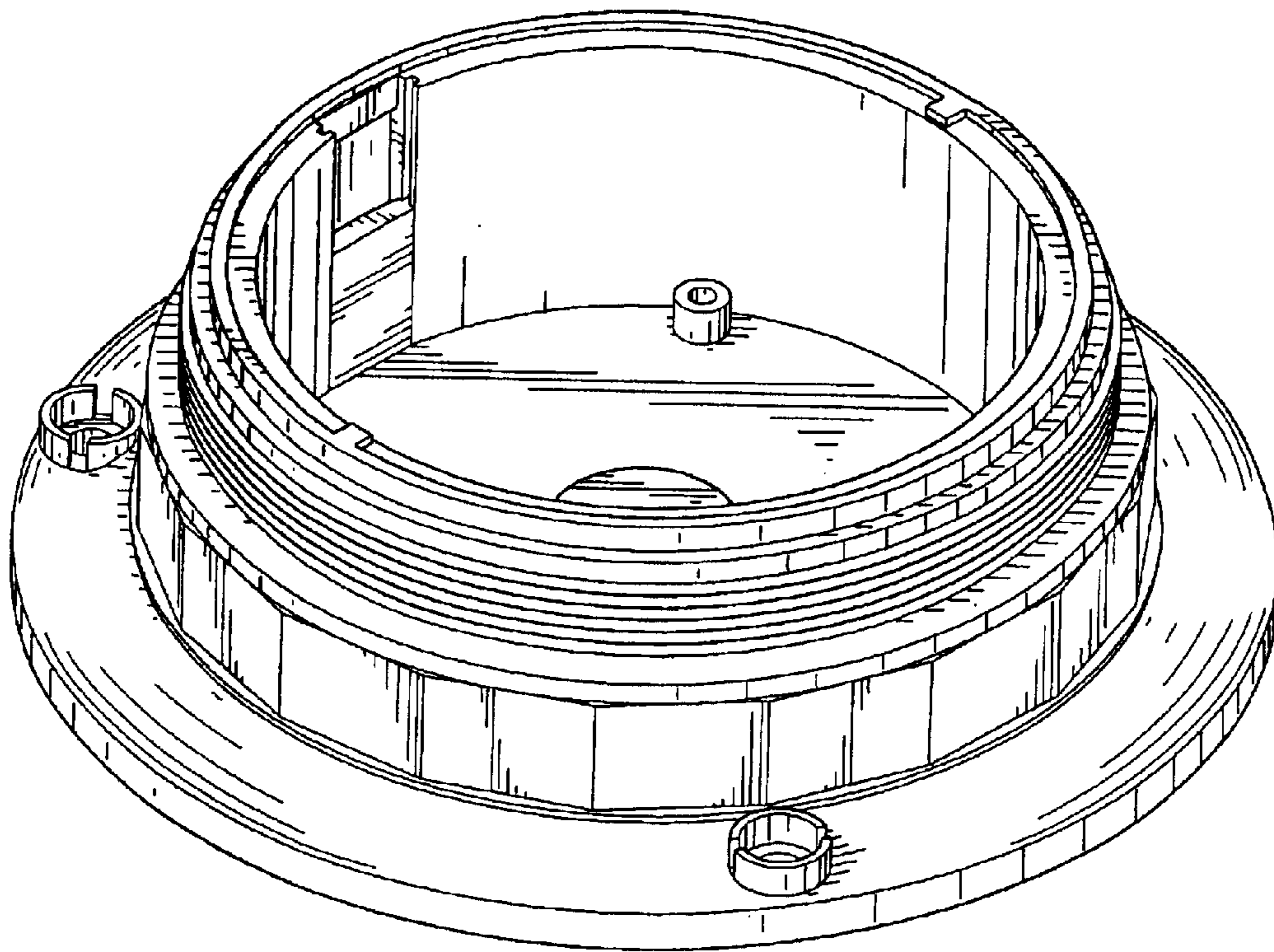


FIG. 1

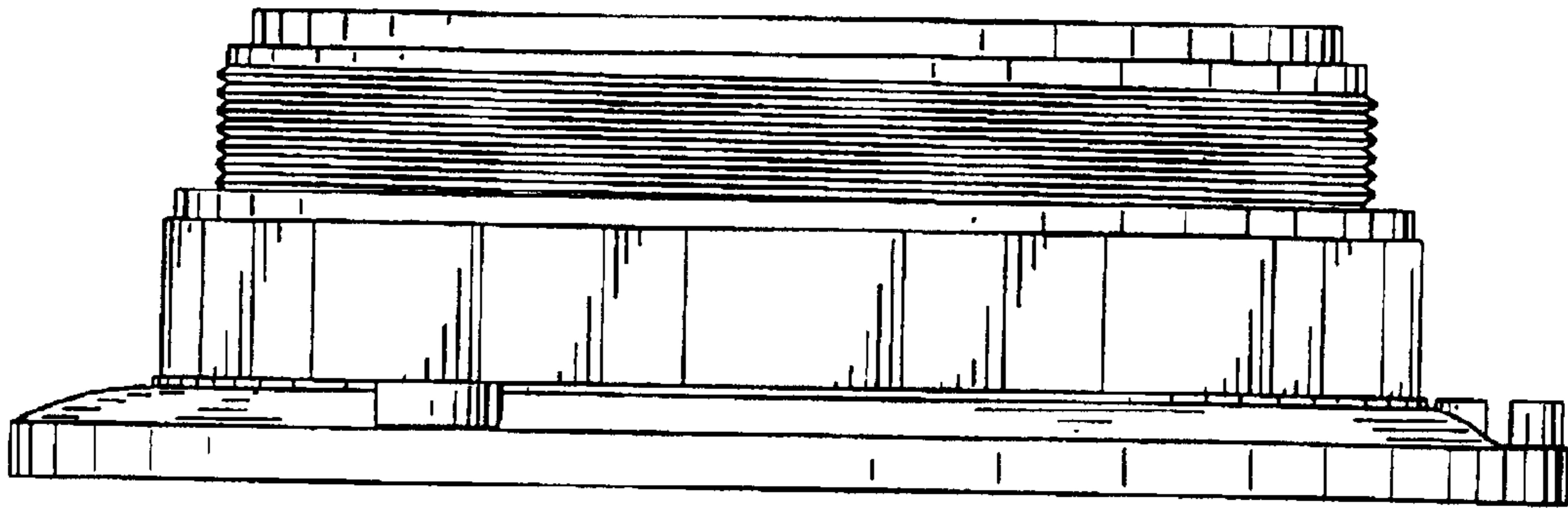


FIG. 2

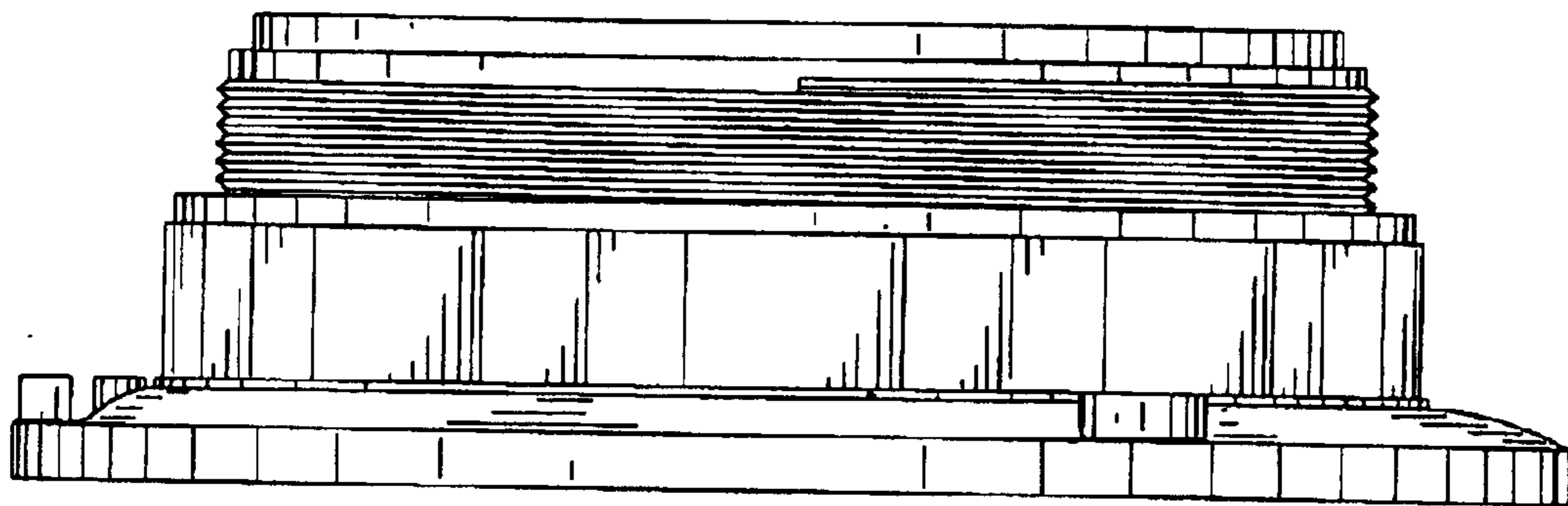


FIG. 3

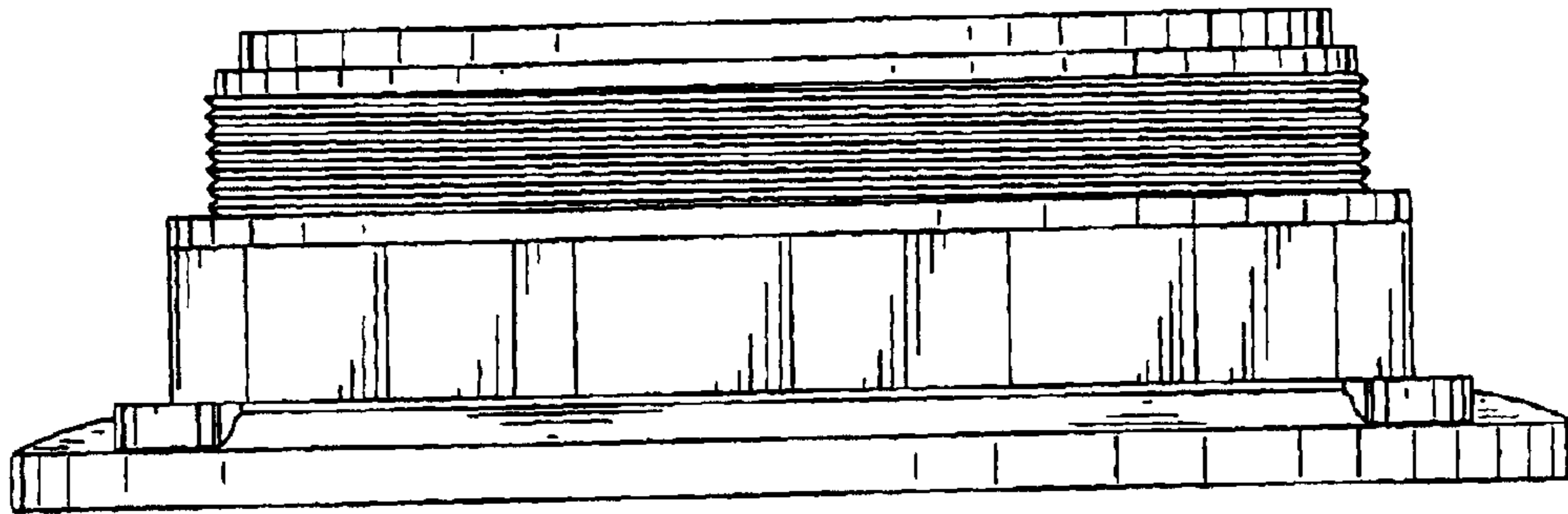


FIG. 4

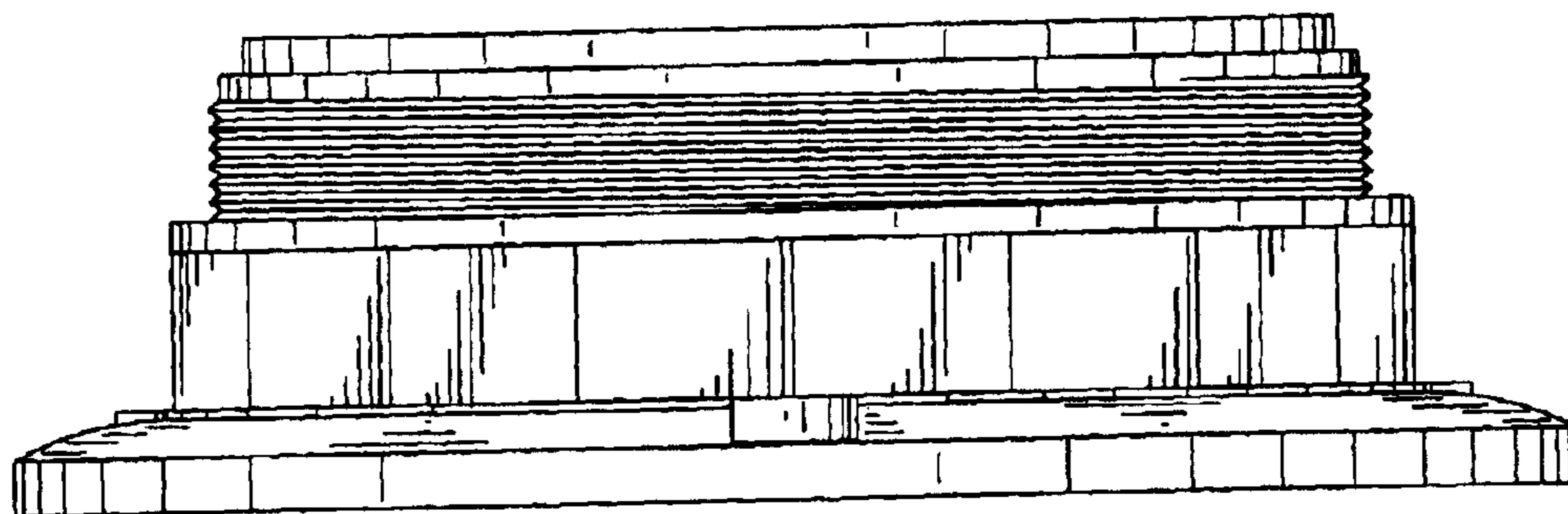


FIG. 5



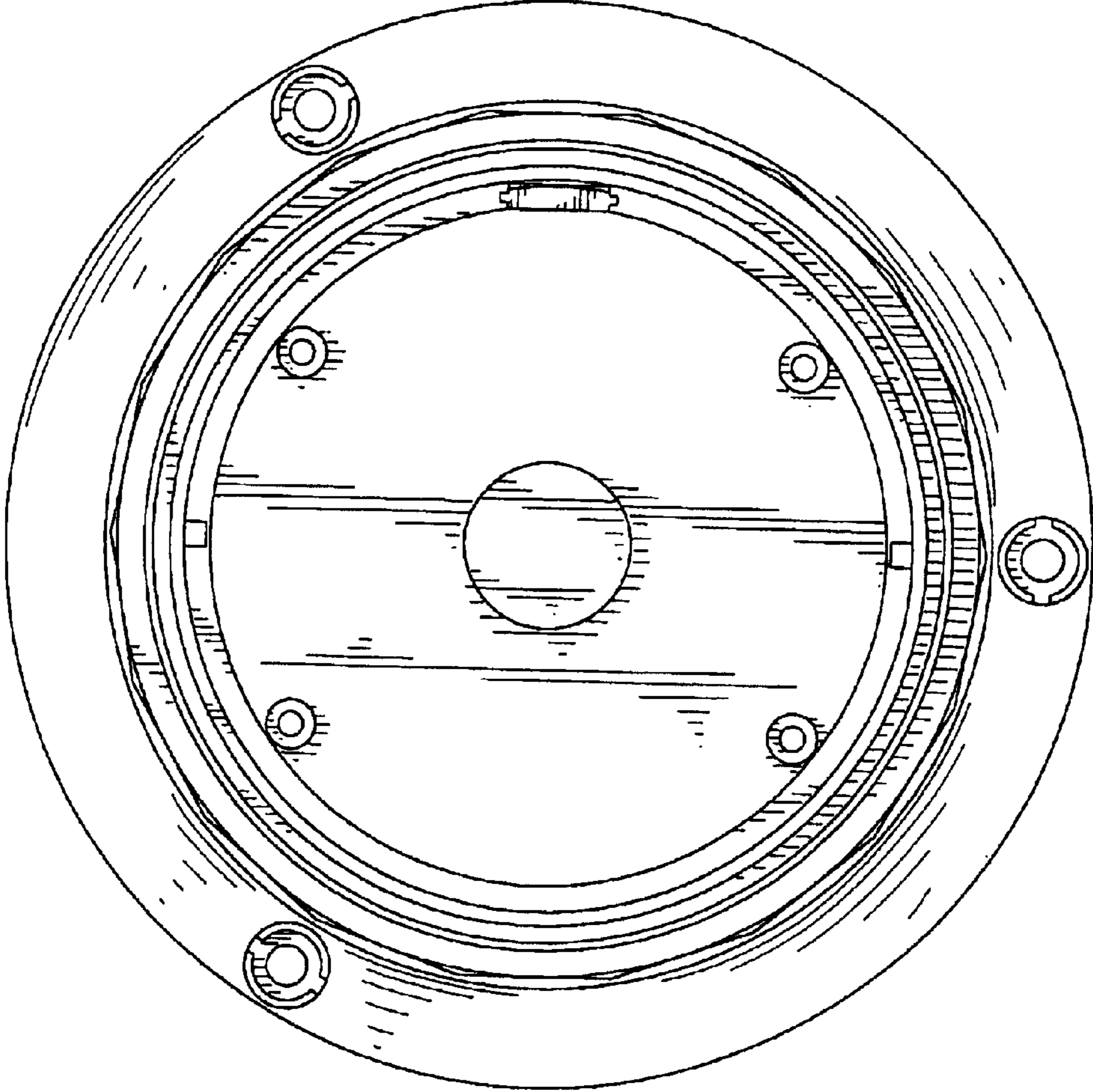


FIG. 6

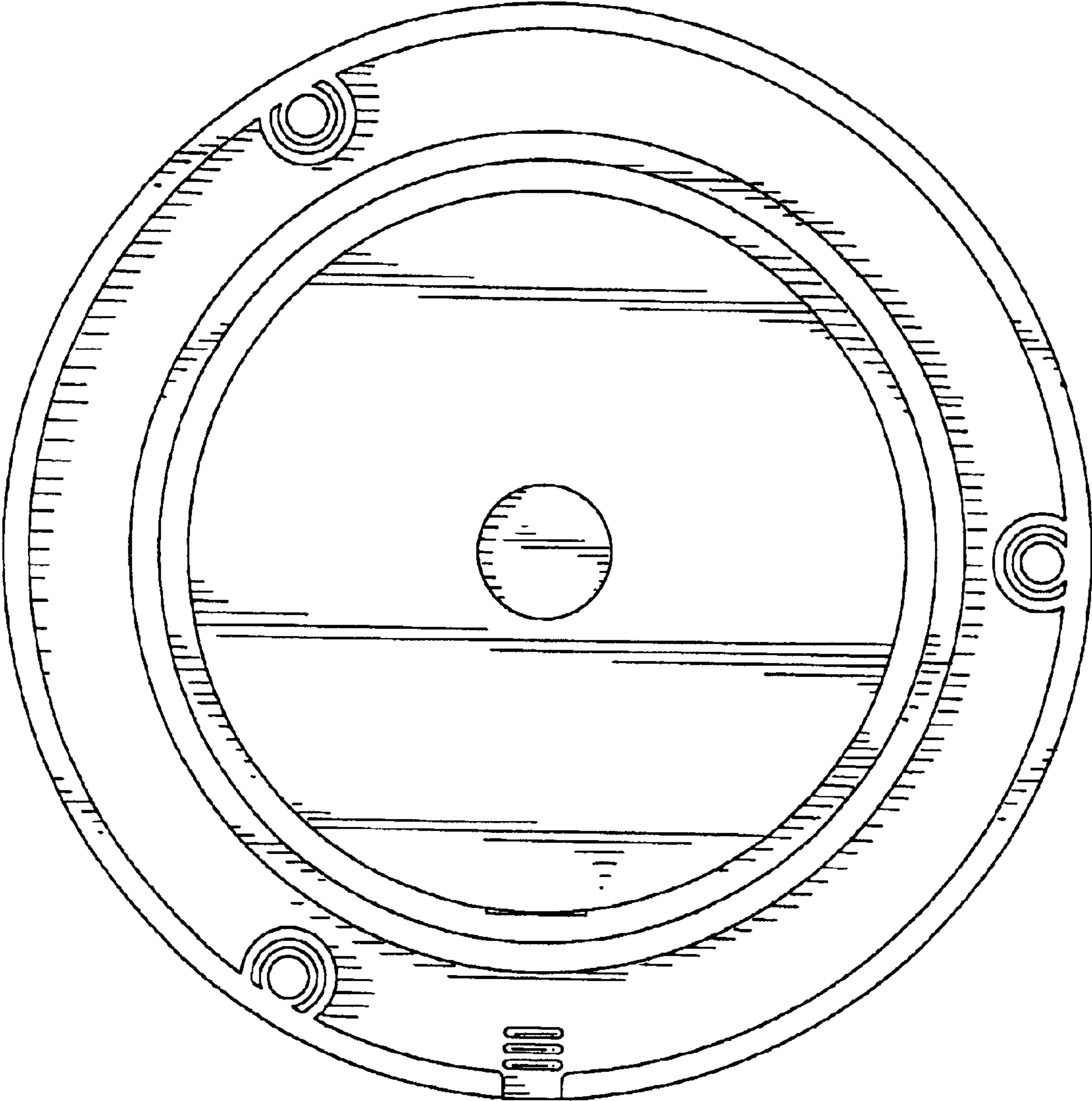


FIG. 7

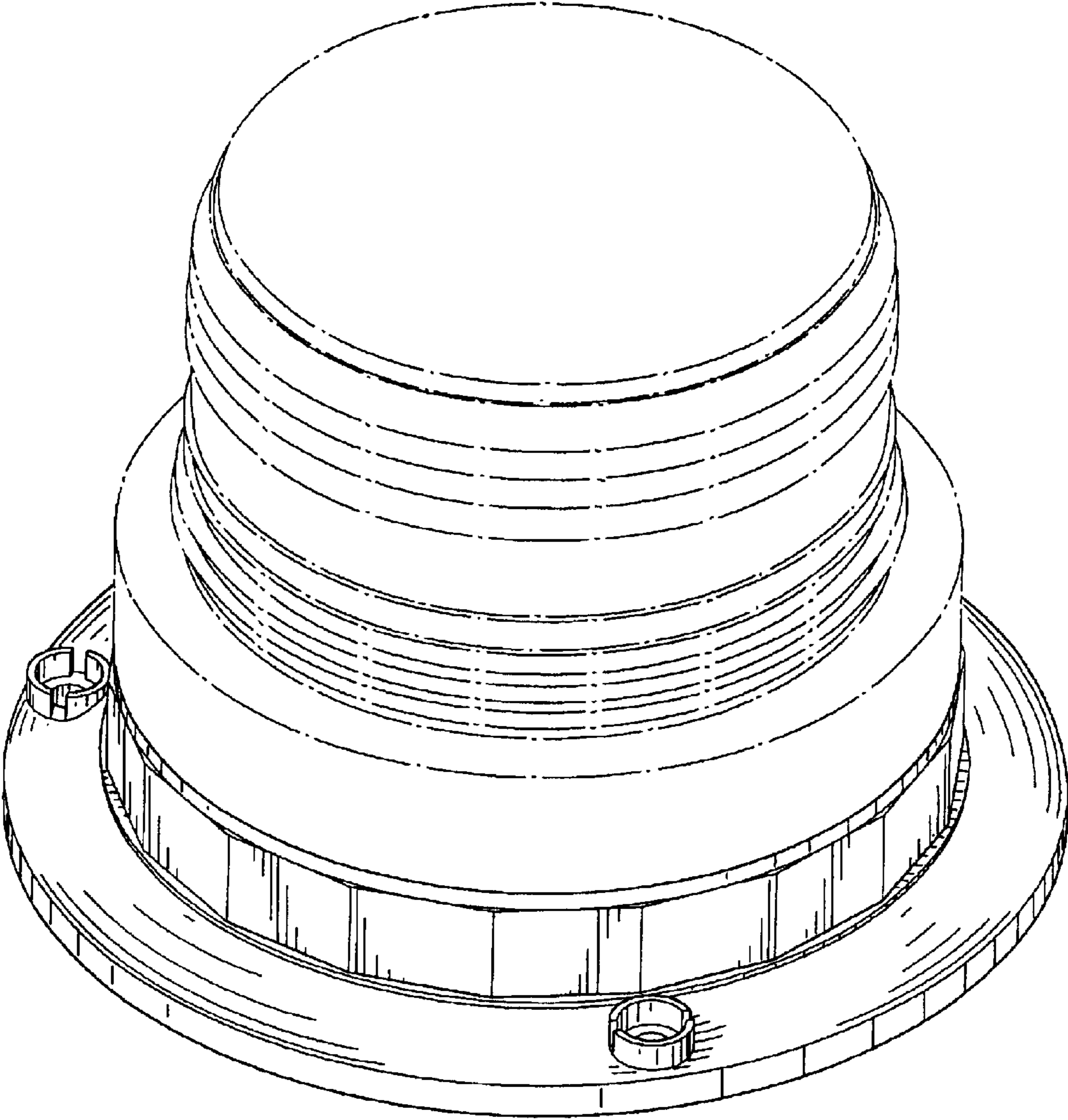


FIG. 8