

US00D493116S1

(12) **United States Design Patent**
Richardson

(10) **Patent No.:** **US D493,116 S**

(45) **Date of Patent:** **** Jul. 20, 2004**

(54) **TRAFFIC BARRIER**

6,669,402 B1 * 12/2003 Davis et al. 404/6

(76) **Inventor:** **John L. Richardson**, Box 174, 5525
West Boulevard, Vancouver (CA), V6M
3W6

* cited by examiner

Primary Examiner—Robert A Delehanty

(**) **Term:** **14 Years**

(57) **CLAIM**

The ornamental design for a traffic barrier, as shown and described.

(21) **Appl. No.:** **29/180,510**

(22) **Filed:** **Apr. 25, 2003**

DESCRIPTION

(51) **LOC (7) Cl.** **10-05**

FIG. 1 is a front perspective view of a traffic barrier showing my new design;

(52) **U.S. Cl.** **D10/113**

FIG. 2 is a top plan view thereof;

(58) **Field of Search** D25/113-115,

FIG. 3 is a front elevation view thereof;

D25/118, 164; D10/109, 113; 404/6-7,

FIG. 4 is a bottom plan view thereof;

9, 13; 52/33

FIG. 5 is a rear elevation view thereof;

(56) **References Cited**

FIG. 6 is a right side elevation view thereof; and,

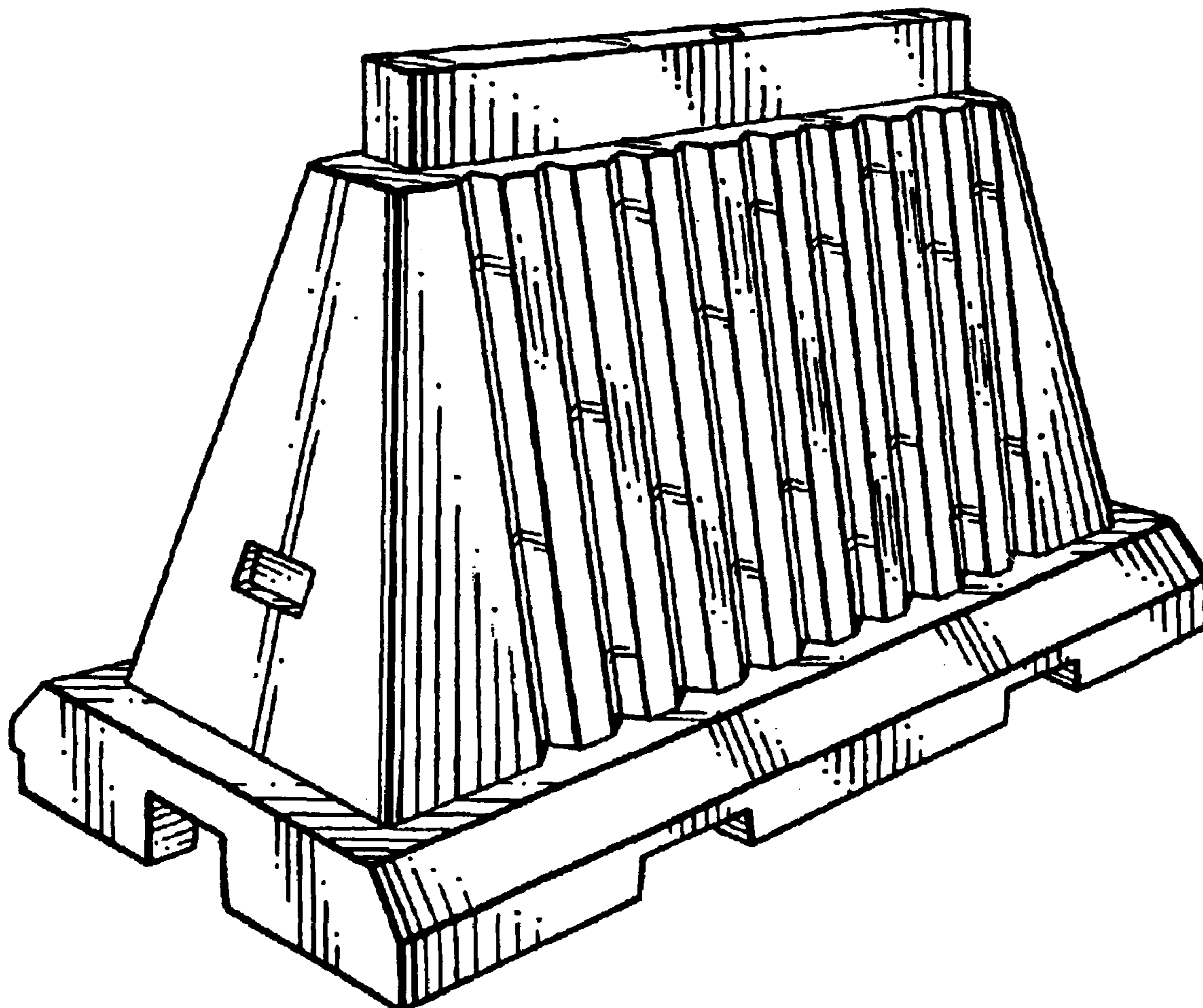
U.S. PATENT DOCUMENTS

FIG. 7 is a left side elevation view thereof.

5,498,101 A 3/1996 Braverman 404/6

D461,735 S * 8/2002 Brown D10/113

1 Claim, 3 Drawing Sheets



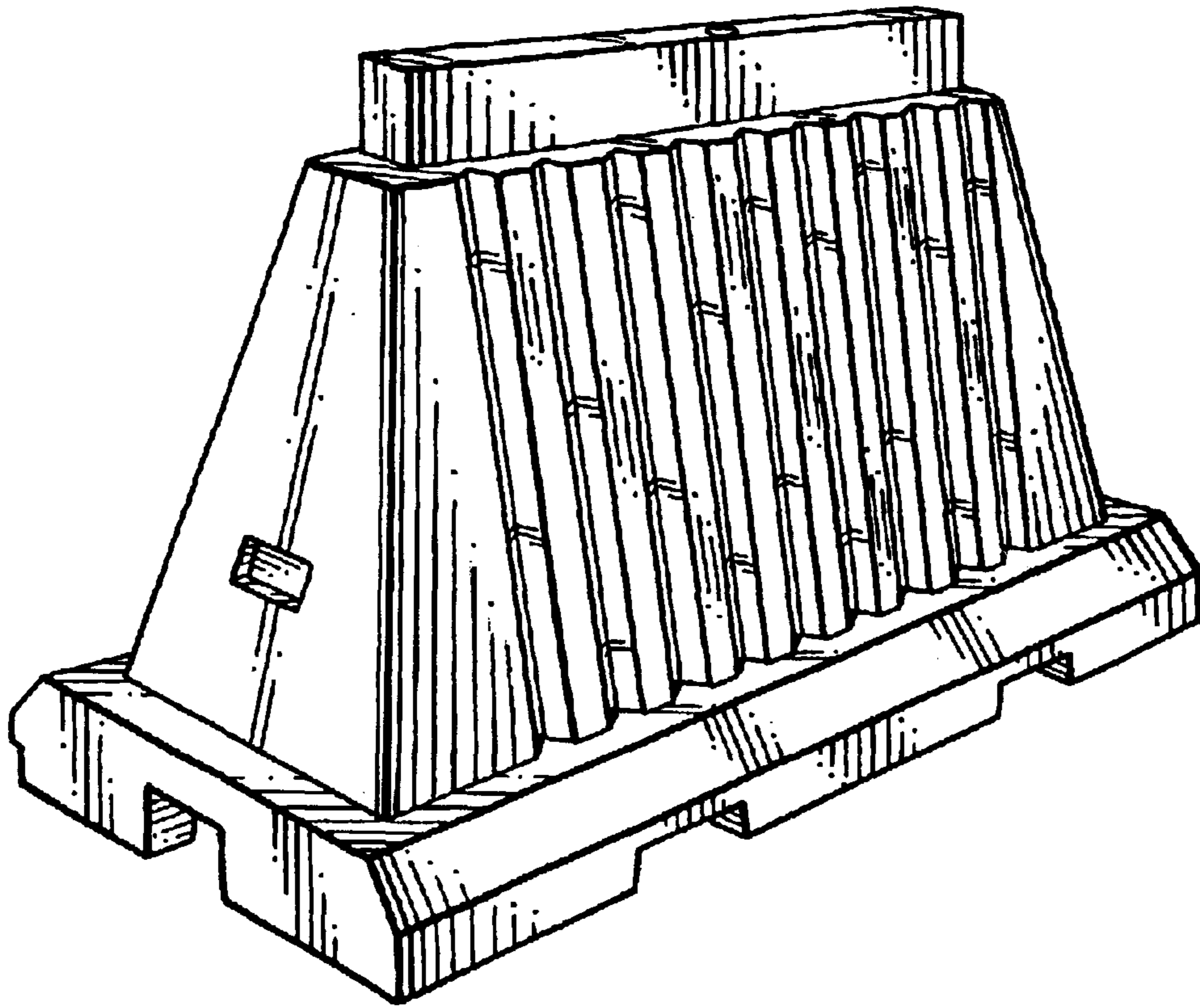


FIG. 1

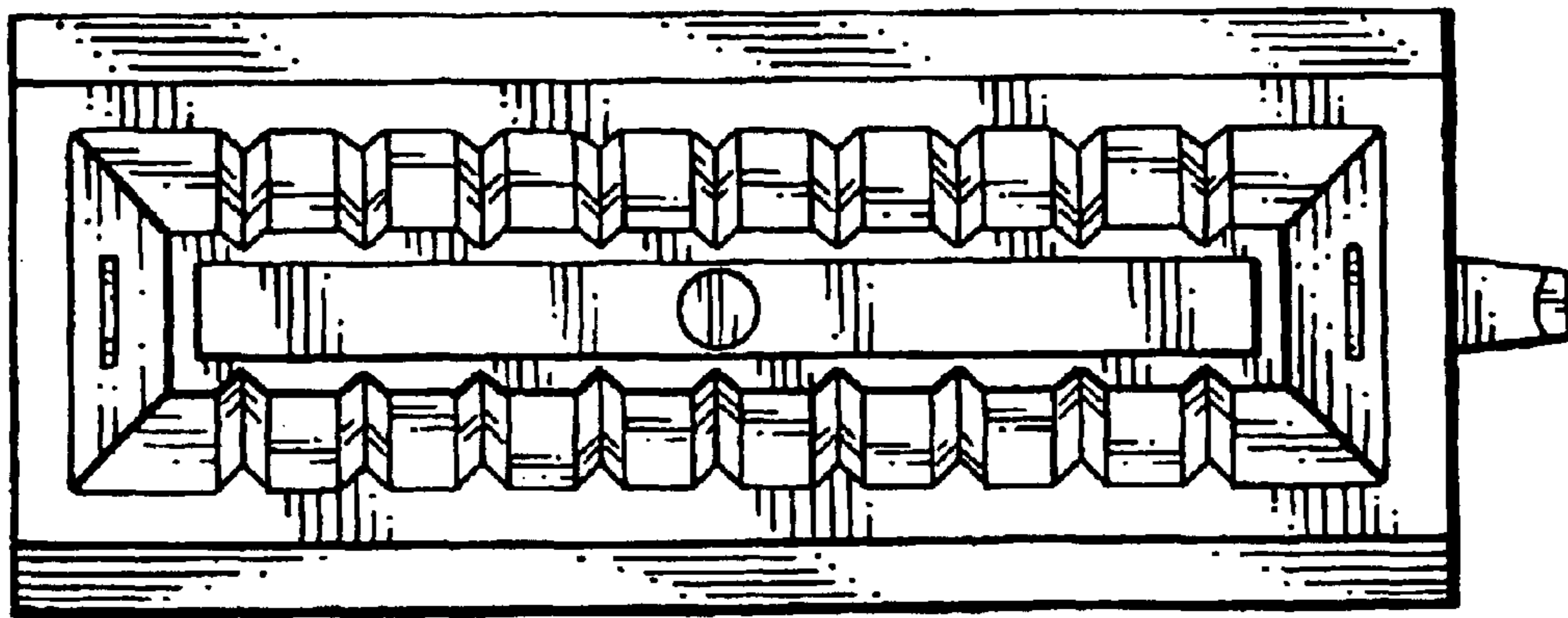


FIG. 2

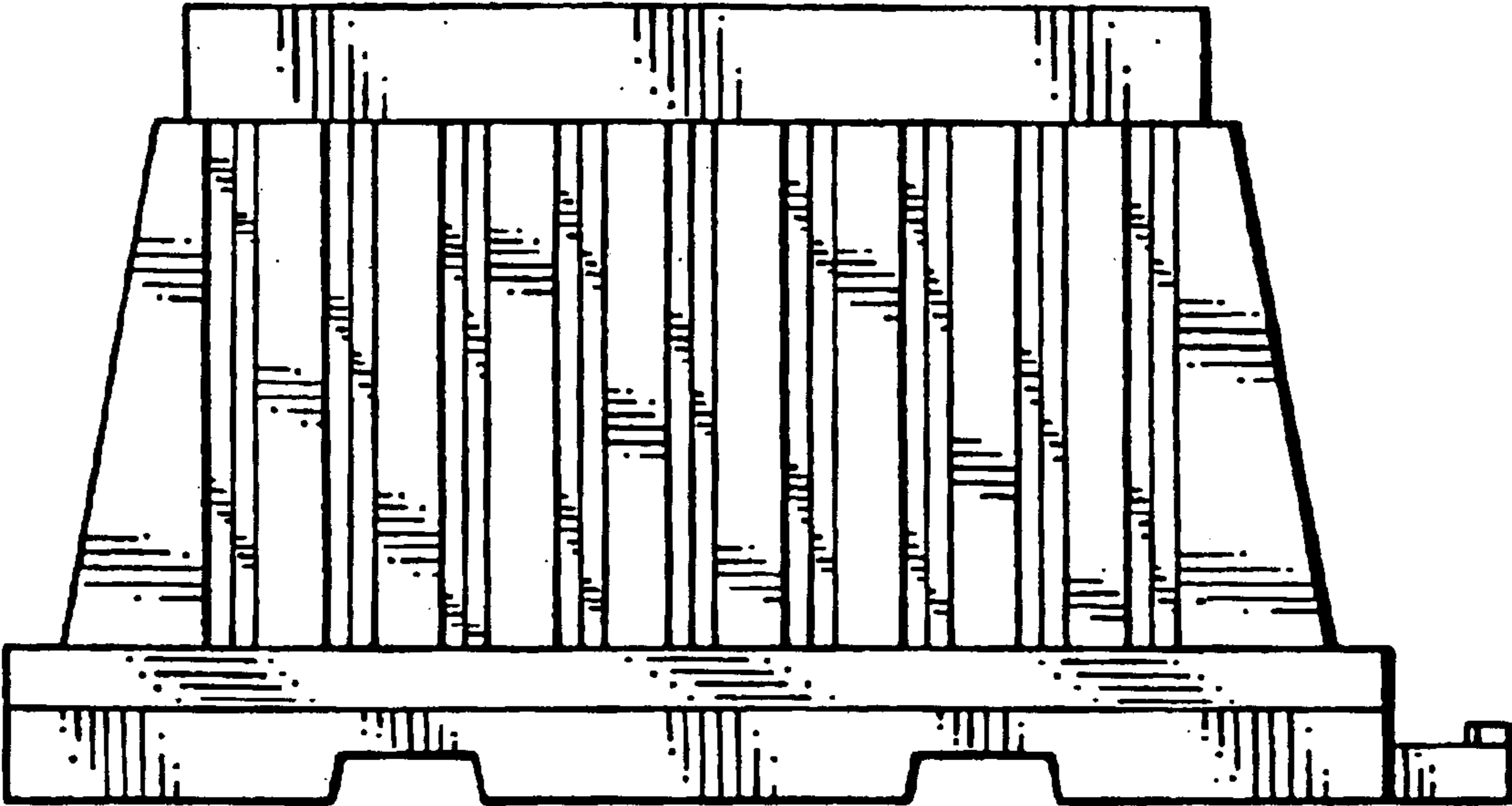


FIG. 3

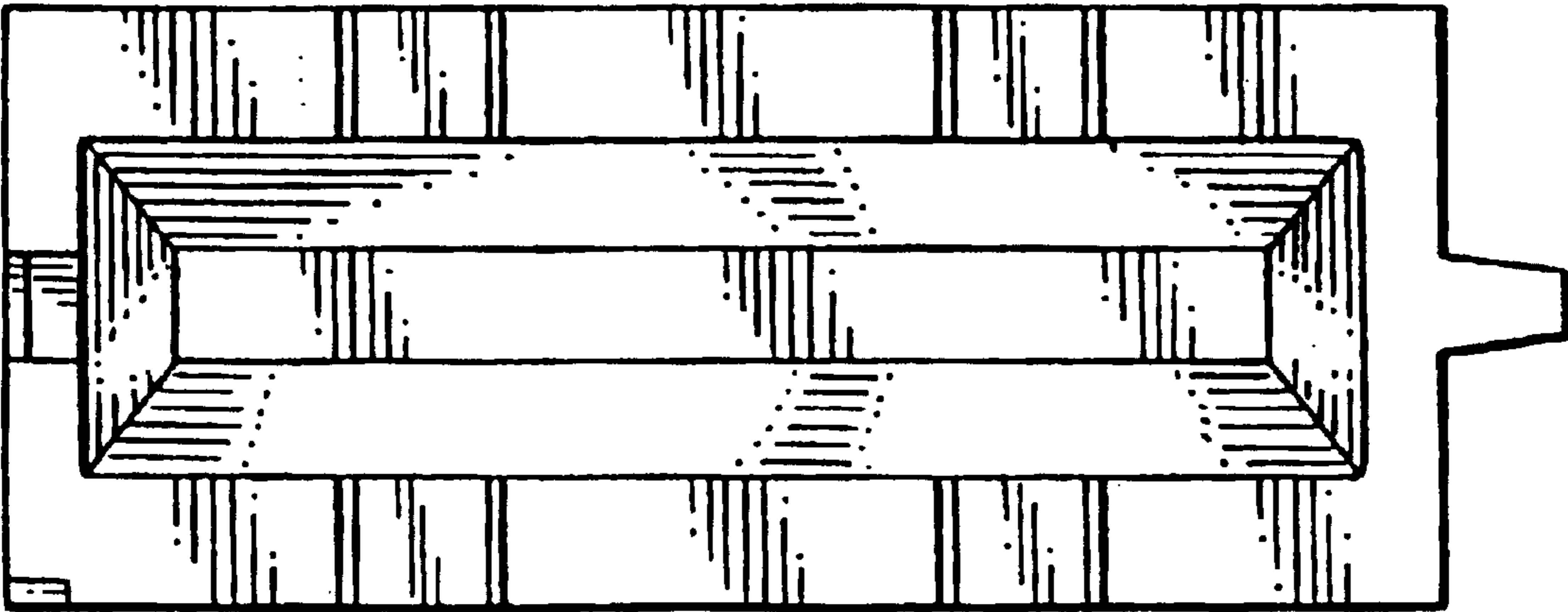


FIG. 4

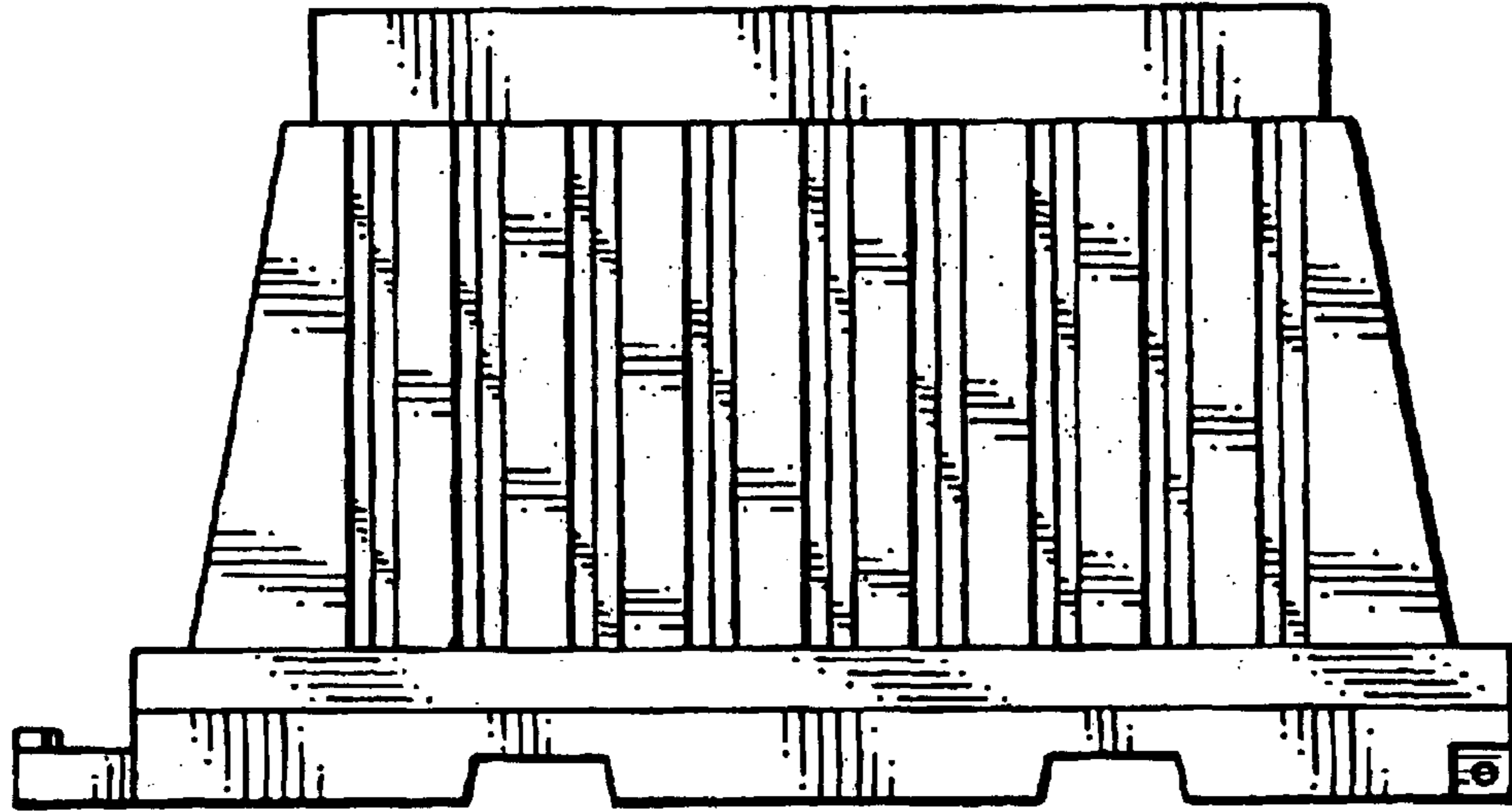


FIG. 5

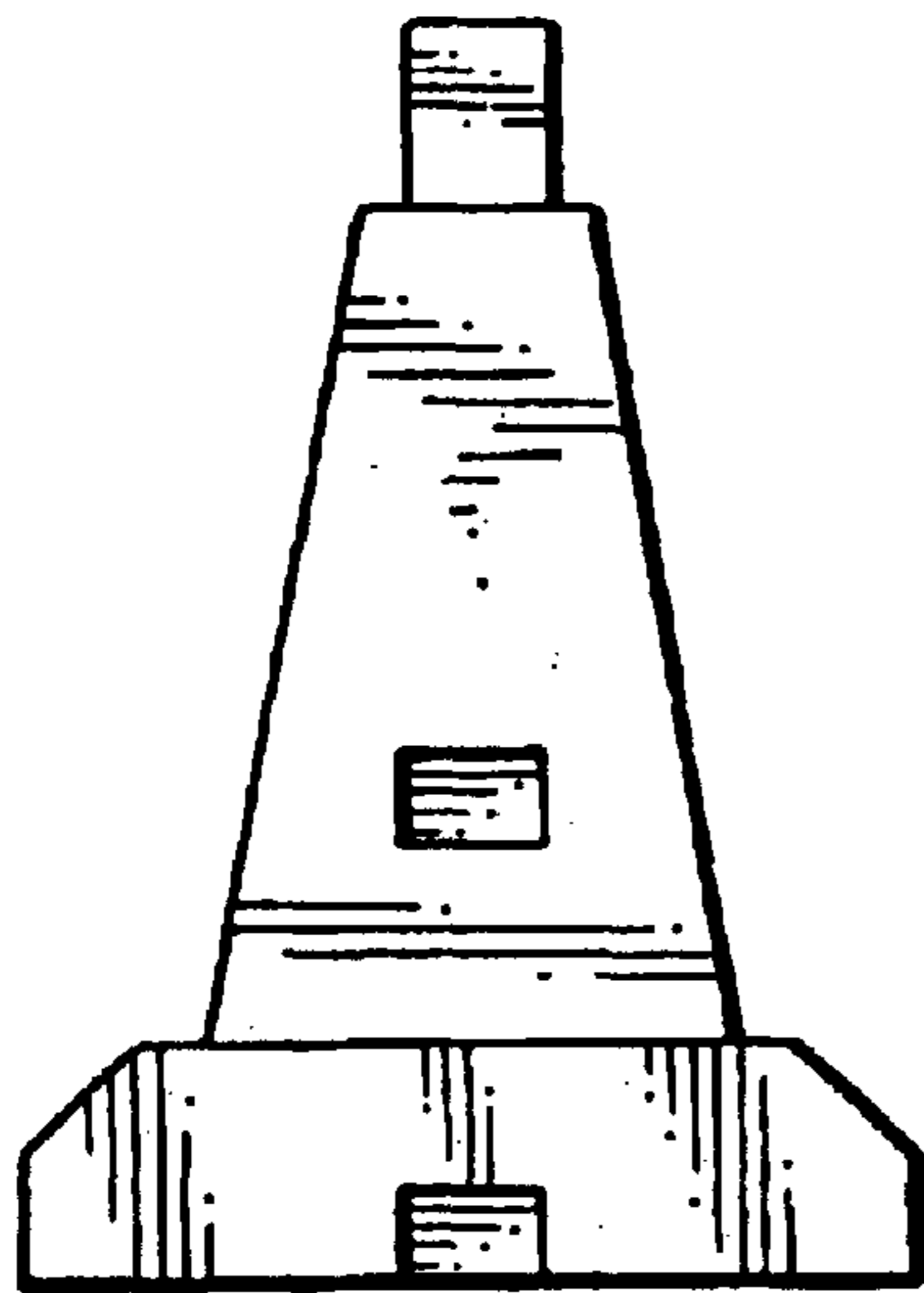


FIG. 6

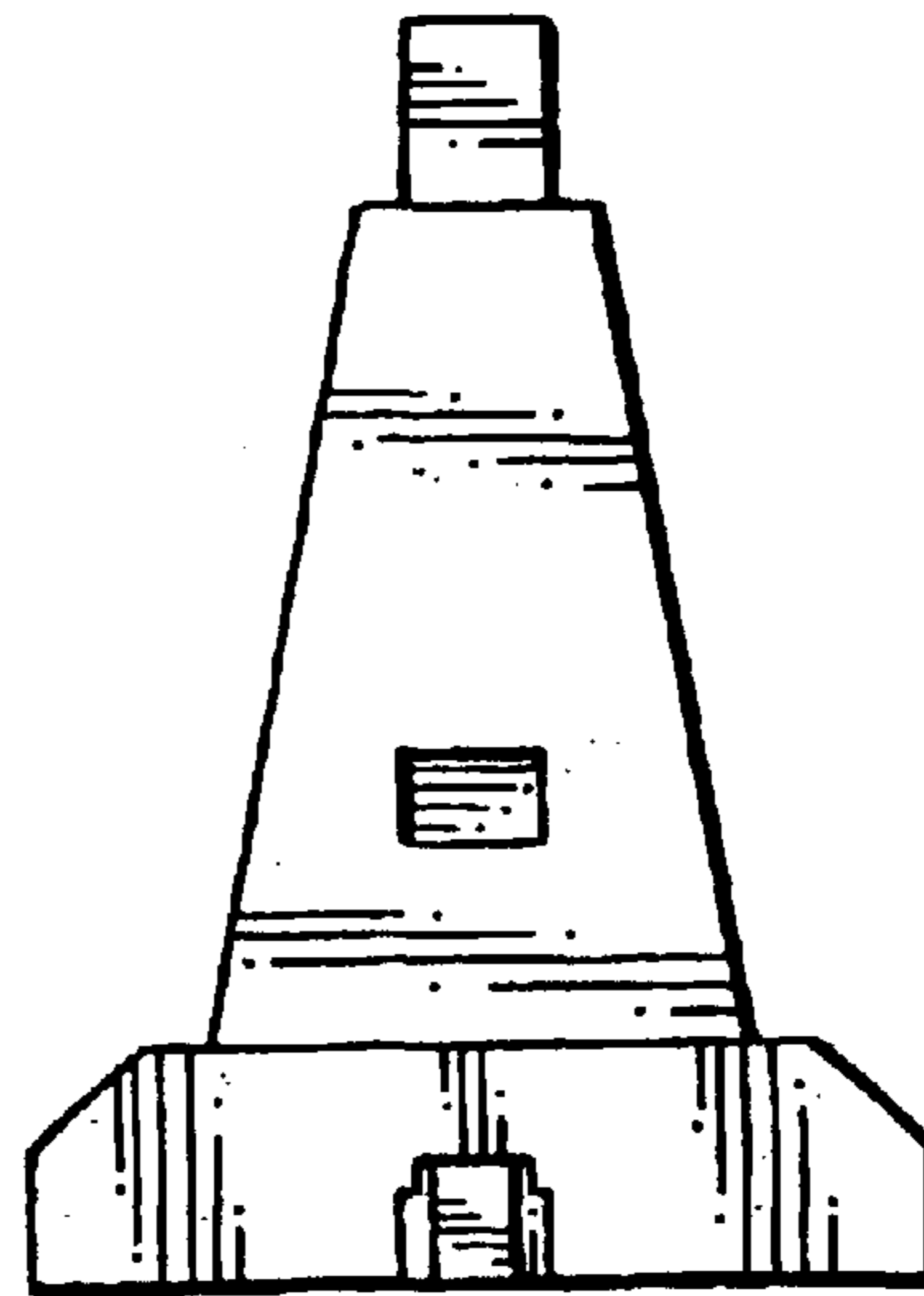


FIG. 7