

US00D493115S1

(12) **United States Design Patent**  
**Juteau**

(10) **Patent No.:** **US D493,115 S**  
(45) **Date of Patent:** **\*\* Jul. 20, 2004**

- (54) **SCALE**
- (75) **Inventor:** **Patrick Juteau**, Rumilly (FR)
- (73) **Assignee:** **Tefal S.A.**, Rumilly (FR)
- (\*\*) **Term:** **14 Years**
- (21) **Appl. No.:** **29/172,195**
- (22) **Filed:** **Dec. 9, 2002**
- (30) **Foreign Application Priority Data**  
  - Jun. 7, 2002 (FR) ..... 02 3547
- (51) **LOC (7) Cl.** ..... **10-04**
- (52) **U.S. Cl.** ..... **D10/92**
- (58) **Field of Search** ..... D10/92; 177/210 R,  
177/238-245

(56) **References Cited**

**U.S. PATENT DOCUMENTS**

D422,232 S \* 4/2000 Dal Toso ..... D10/92

D433,952 S \* 11/2000 Dal Toso ..... D10/92

\* cited by examiner

*Primary Examiner*—Antoine Duval Davis  
(74) *Attorney, Agent, or Firm*—Young & Thompson

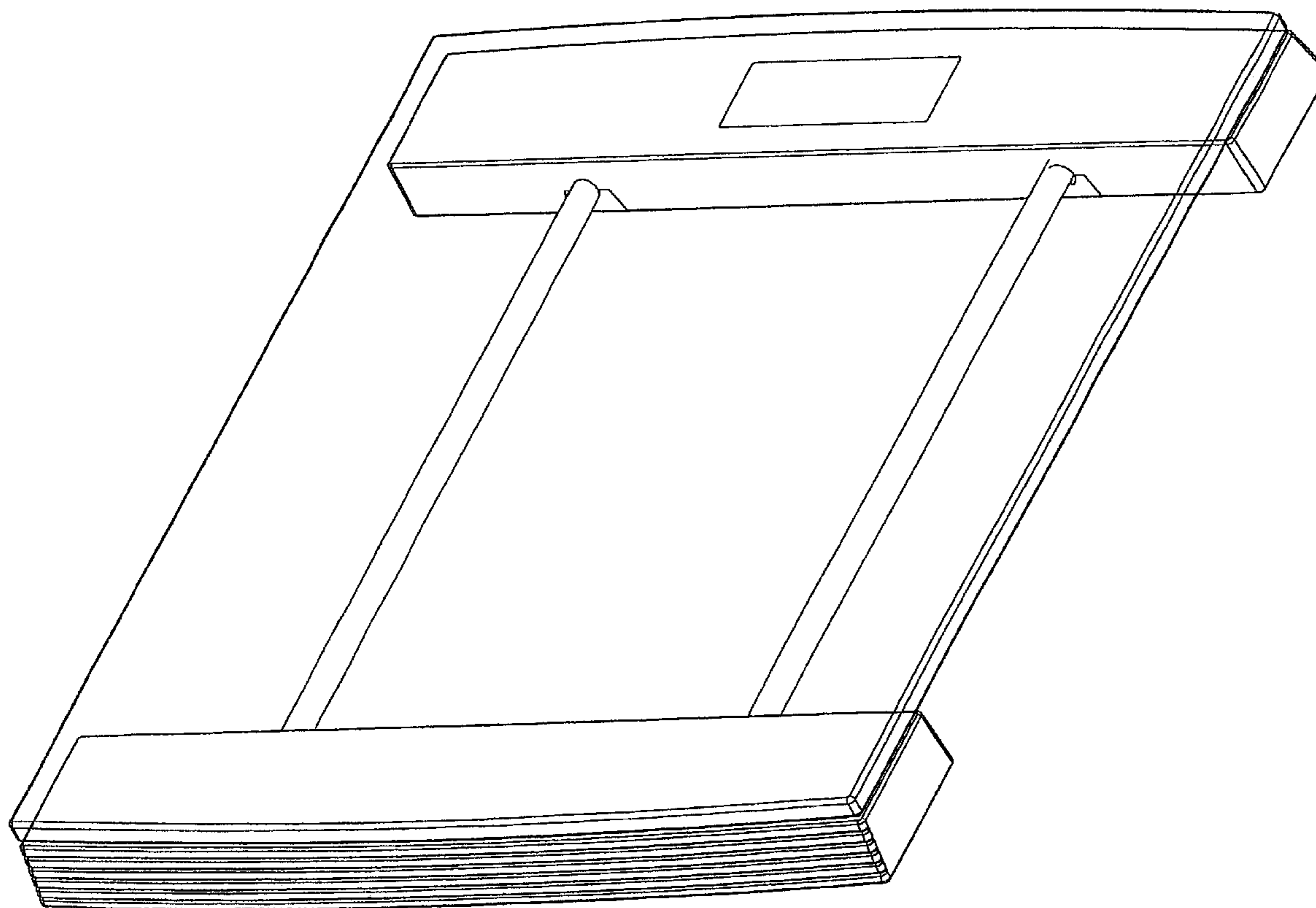
(57) **CLAIM**

The ornamental design for a scale, as shown and described.

**DESCRIPTION**

FIG. 1 is a top and side perspective view of a scale showing my new design;  
FIG. 2 is a top plan view thereof;  
FIG. 3 is a view thereof from the bottom of FIG. 2, the view thereof from the top of FIG. 2 being identical thereto;  
FIG. 4 is a view thereof from the right of FIG. 2, the view from the left of FIG. 2 being identical thereto;  
FIG. 5 is a bottom and side perspective view thereof; and,  
FIG. 6 is a bottom plan view thereof.  
The top plate of the scale is transparent.

**1 Claim, 6 Drawing Sheets**



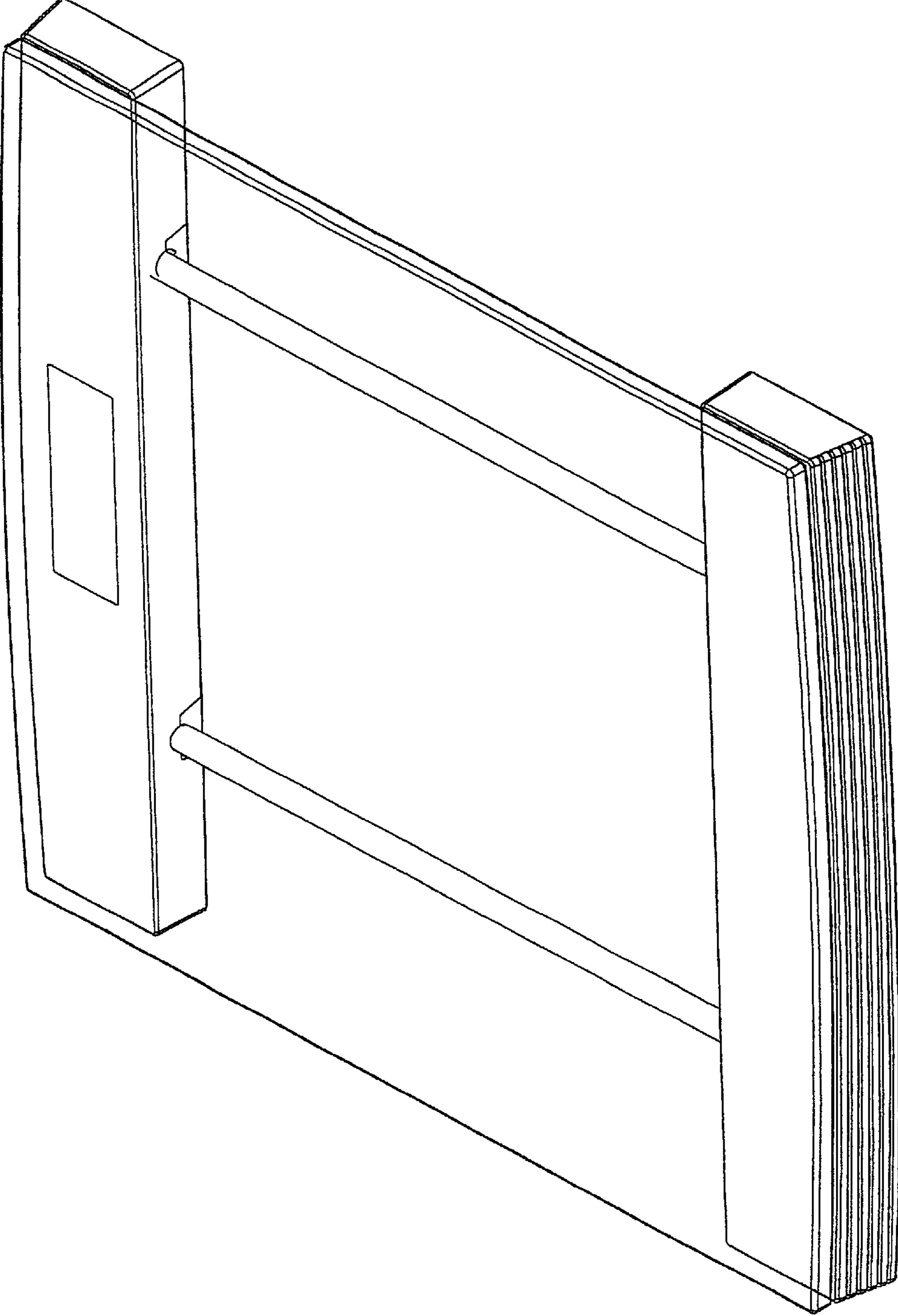
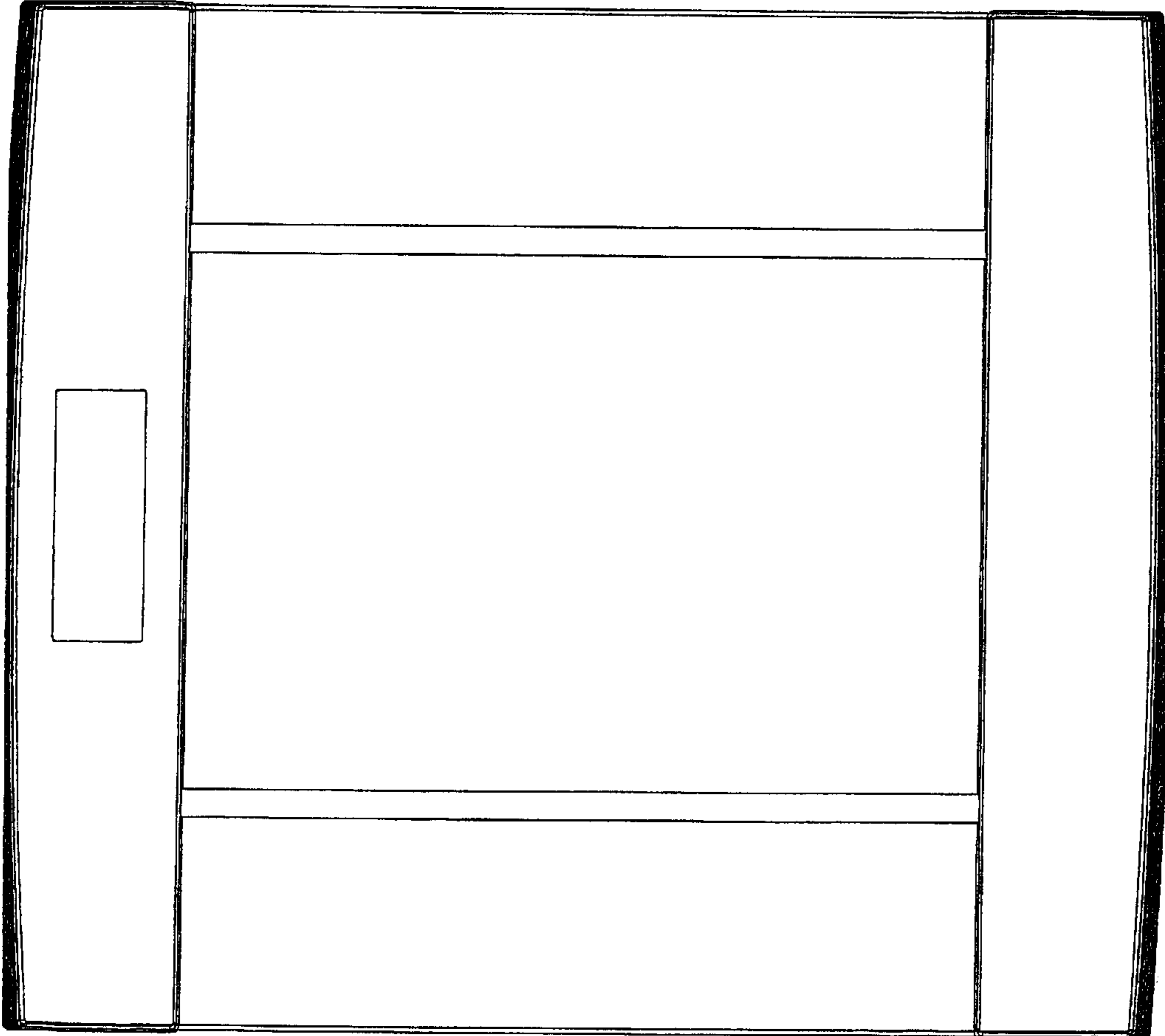


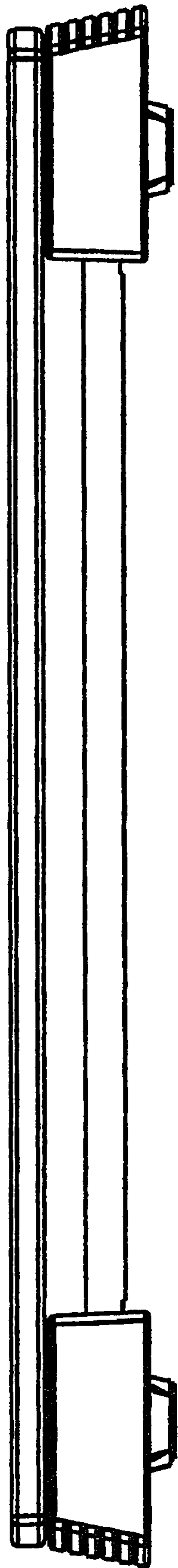
FIG. 1



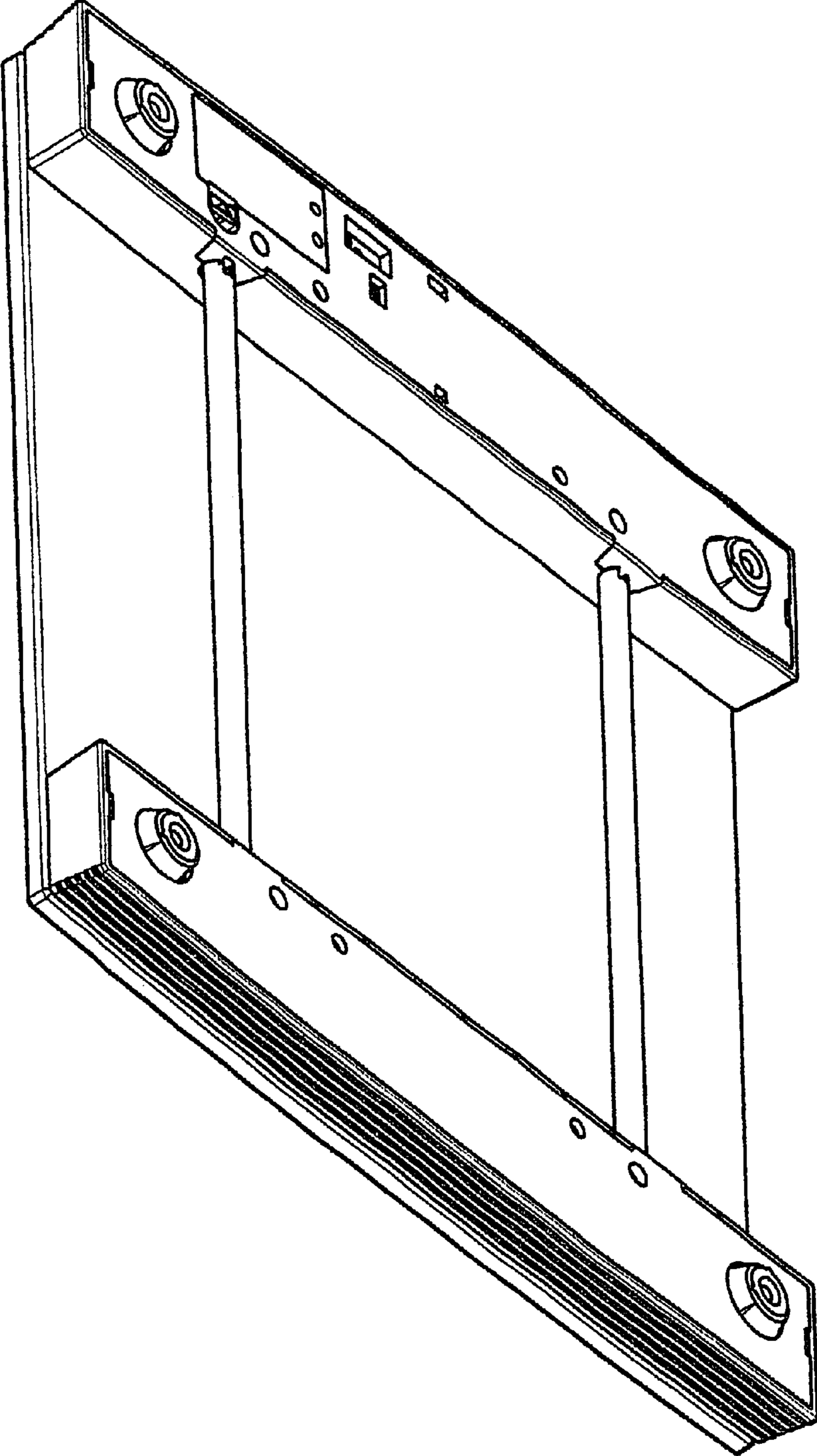
**FIG. 2**



**FIG. 3**



**FIG. 4**



**FIG. 5**

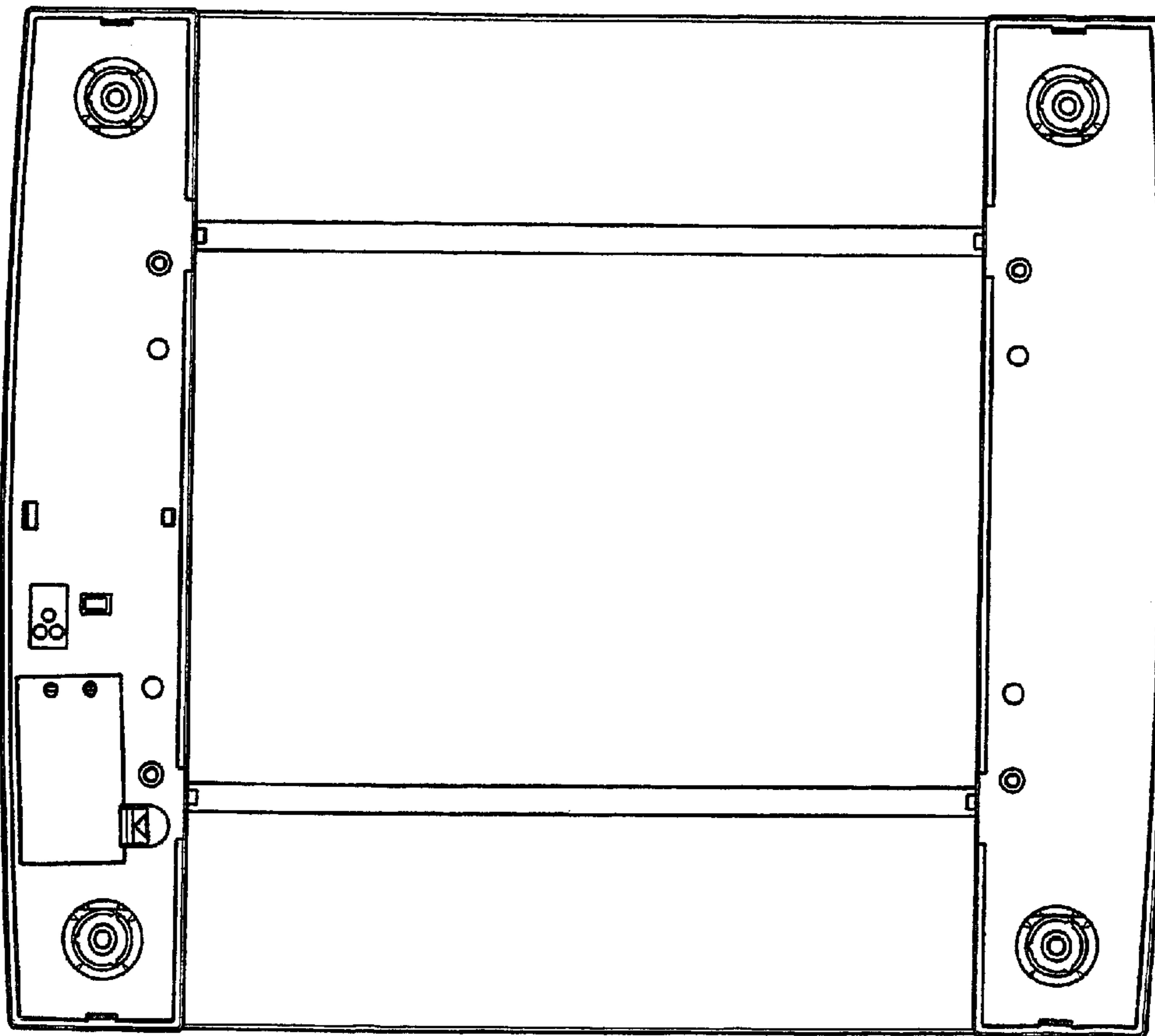


FIG. 6