

US00D493105S1

(12) **United States Design Patent**  
**Childs et al.**

(10) **Patent No.: US D493,105 S**  
(45) **Date of Patent: \*\* Jul. 20, 2004**

- (54) **CHEESE CONTAINER**
- (75) Inventors: **Gary Clifford Childs**, Nr Axminster (GB); **David John Davidge**, Warminster (GB); **Linda Margaret Retter**, Crewkerne (GB)
- (73) Assignee: **Ilchester Cheese Co., Ltd.**, Ilchester (GB)
- (\*\*) Term: **14 Years**
- (21) Appl. No.: **29/183,054**
- (22) Filed: **Jun. 6, 2003**
- (30) **Foreign Application Priority Data**  
Dec. 6, 2002 (GB) ..... 3009268
- (51) **LOC (7) Cl.** ..... **09-03**
- (52) **U.S. Cl.** ..... **D9/426; D9/416; D9/428; D9/425**
- (58) **Field of Search** ..... D9/414, 415, 424, D9/425, 416, 428, 426; 229/125.33, 125.35, 200, 203, 206, 212, 406, 407; 220/4.21-4.25; 206/303, 407, 446, 63.1, 484.1, 484, 824; 426/106, 118, 8; 222/541.2, 541.3
- (56) **References Cited**  
**U.S. PATENT DOCUMENTS**  
1,388,094 A \* 8/1921 Buttigieg ..... 206/6.1

- 3,292,840 A \* 12/1966 Schmidt ..... 220/4.25
- D214,996 S \* 8/1969 Cline ..... D9/415
- D234,026 S \* 12/1974 Winter ..... D24/224
- D256,727 S \* 9/1980 Borg et al. .... D24/220
- 4,261,504 A \* 4/1981 Cowan ..... 229/123.1
- 4,863,036 A \* 9/1989 Heijenga ..... 229/123.1
- D361,714 S \* 8/1995 Krupa ..... D9/329
- 5,992,619 A \* 11/1999 Milano ..... 206/216
- D462,900 S \* 9/2002 Yamada et al. .... D9/416

\* cited by examiner

*Primary Examiner*—Prabhakar Deshmukh  
(74) *Attorney, Agent, or Firm*—Bacon & Thomas, PLLC

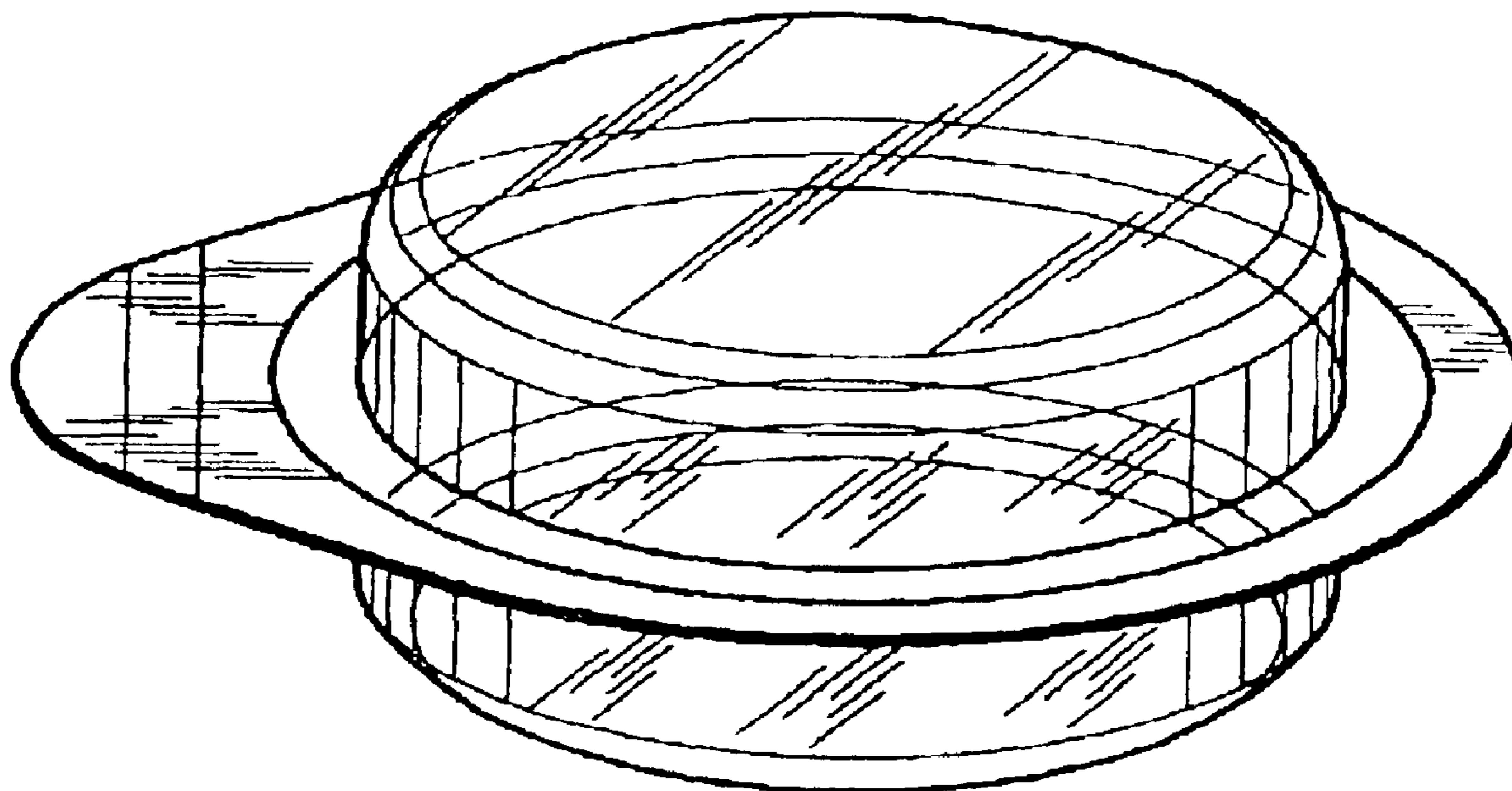
(57) **CLAIM**

The ornamental design for a cheese container, as shown and described.

**DESCRIPTION**

FIG. 1 is a plan view of my new design for a cheese container;  
FIG. 2 is a bottom view thereof;  
FIG. 3 is a left side elevation view thereof;  
FIG. 4 is a right side elevation view thereof;  
FIG. 5 is a front elevation view thereof, the rear elevation view corresponding to the front elevation view; and,  
FIG. 6 is an upper left perspective view thereof.

**1 Claim, 2 Drawing Sheets**



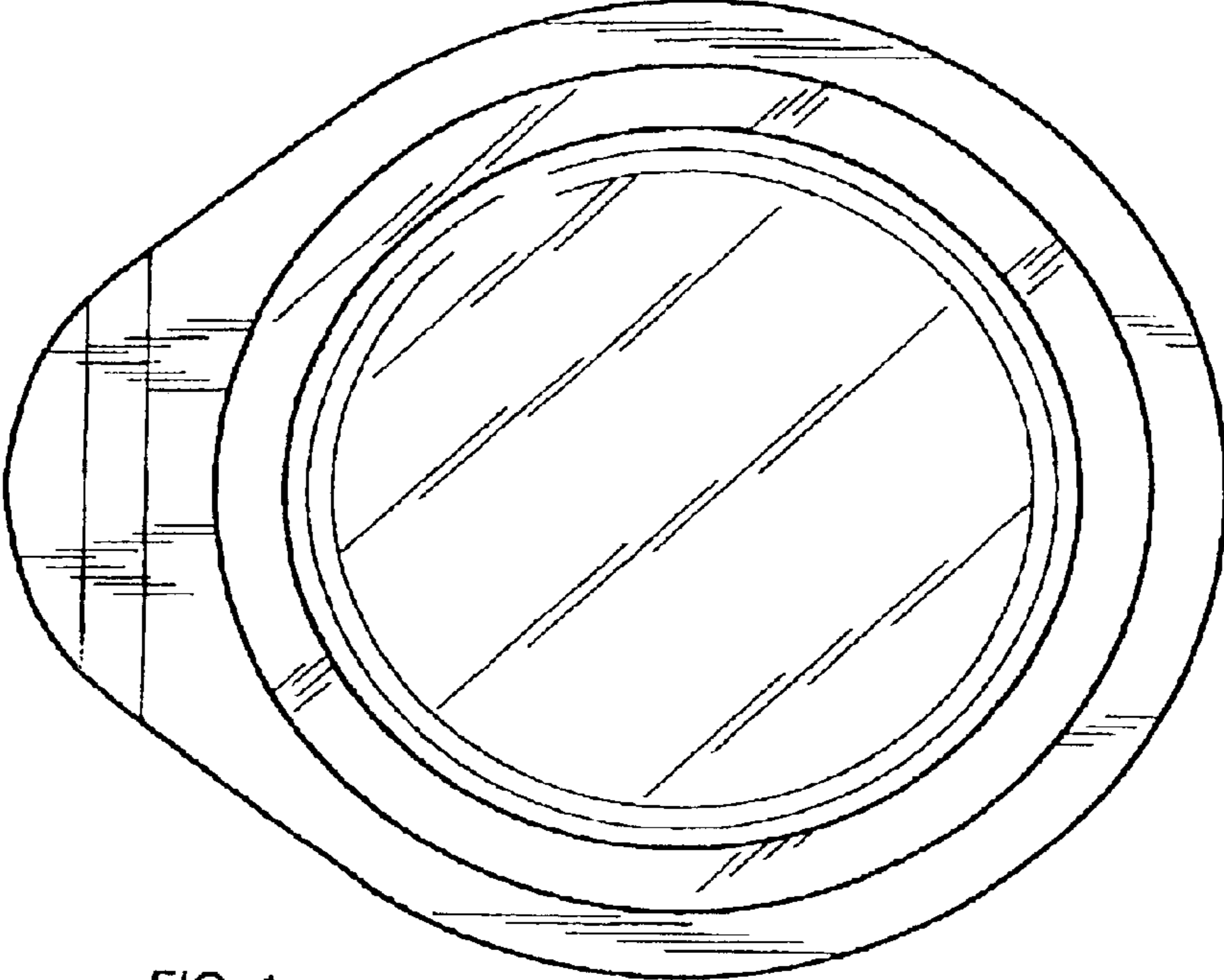


FIG. 1

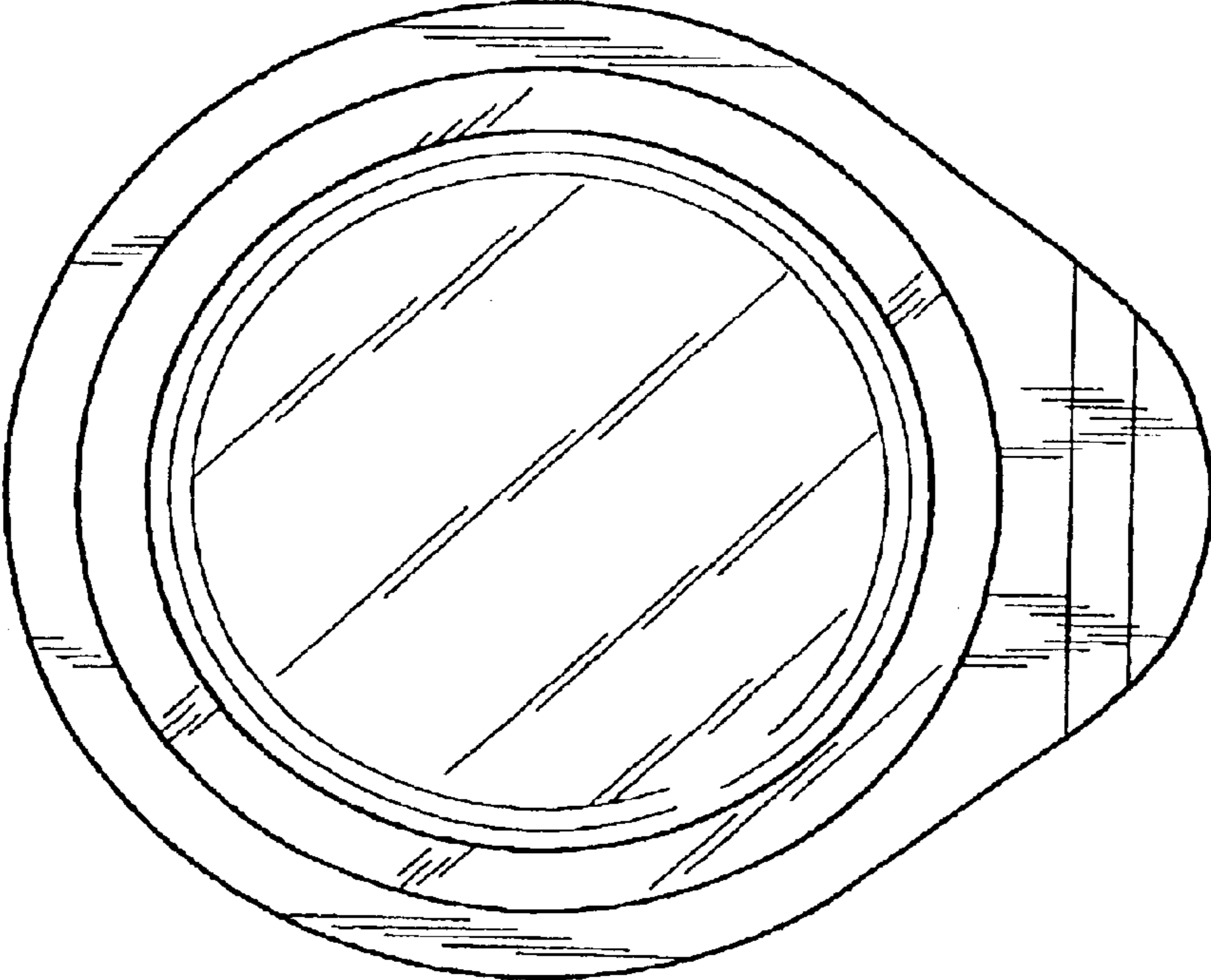


FIG. 2

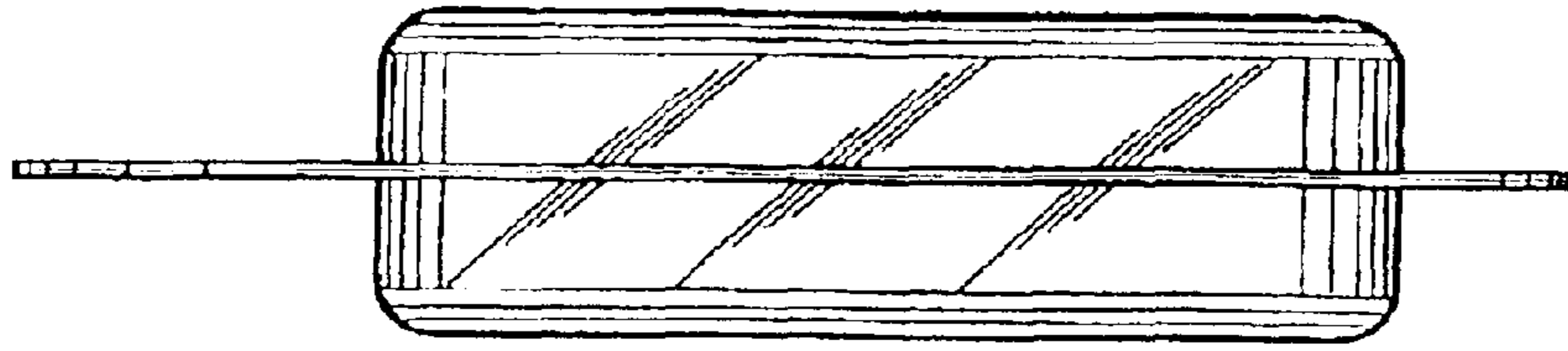


FIG. 3

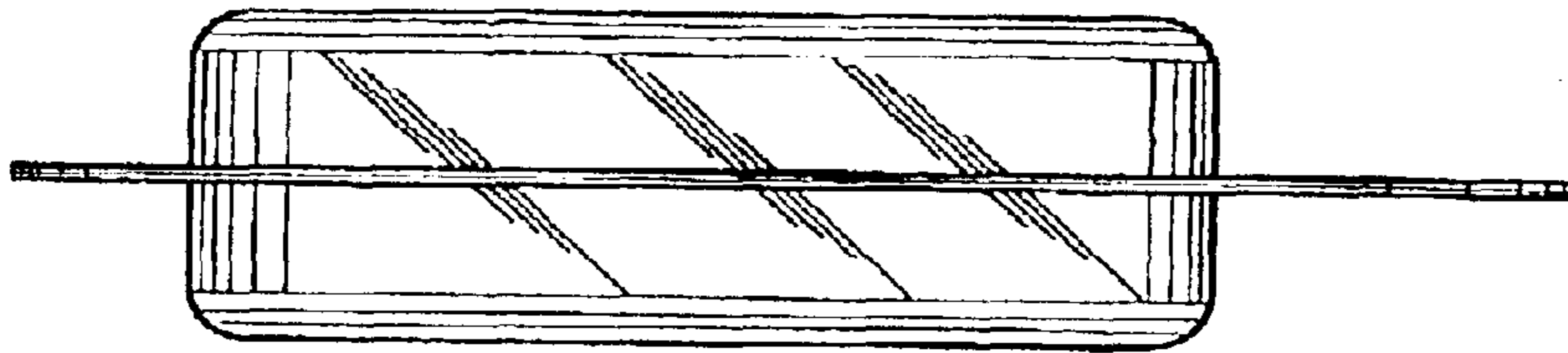


FIG. 4

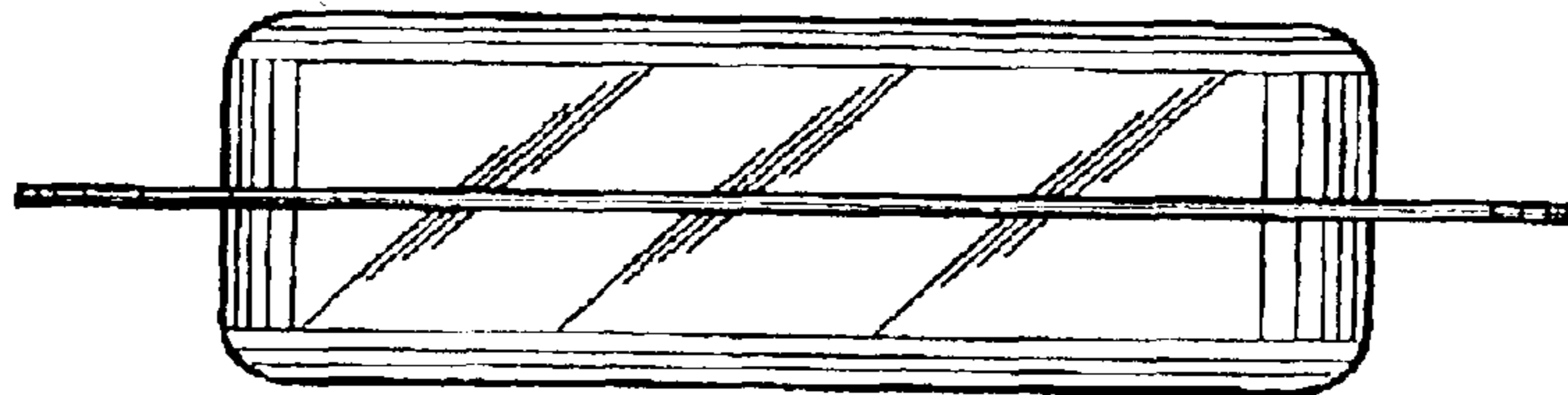


FIG. 5

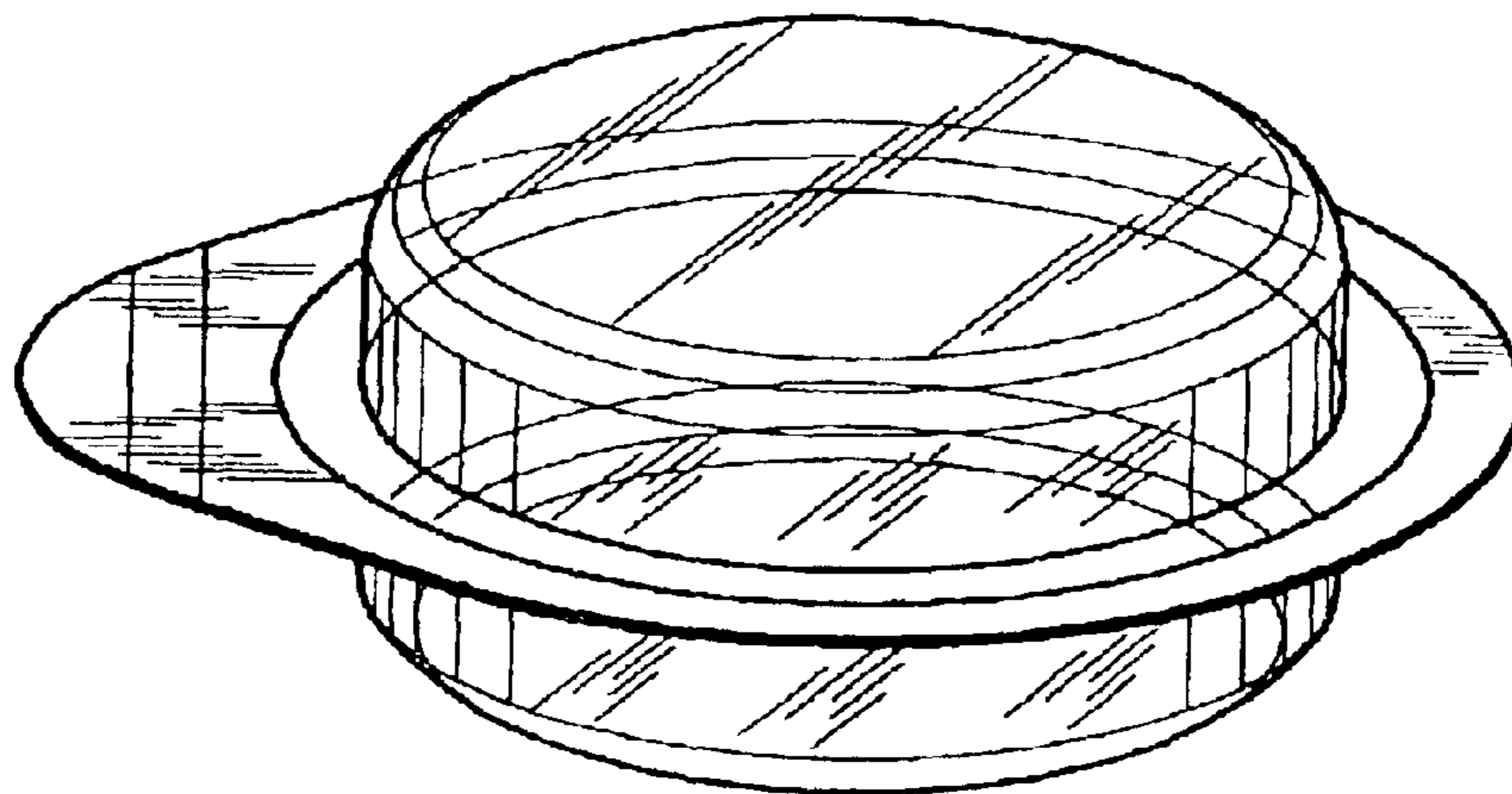


FIG. 6