

US00D493097S1

(12) **United States Design Patent**
Shinjo

(10) **Patent No.:** **US D493,097 S**
(45) **Date of Patent:** **** Jul. 20, 2004**

(54) **SCREW HEAD**

D415,676 S * 10/1999 Negishi et al. D8/387
6,402,449 B1 * 6/2002 Lin 411/403

(75) Inventor: **Katsumi Shinjo**, Osaka (JP)

* cited by examiner

(73) Assignee: **Yugenkaisha Shinjo Seisakusho**,
Osaka (JP)

Primary Examiner—Holly Baynham
(74) *Attorney, Agent, or Firm*—Antonelli, Terry, Stout &
Kraus, LLP

(**) Term: **14 Years**

(57) **CLAIM**

(21) Appl. No.: **29/191,051**

The ornamental design for a screw head, as shown and described.

(22) Filed: **Oct. 2, 2003**

(30) **Foreign Application Priority Data**

Apr. 16, 2003 (JP) 2003-010709

DESCRIPTION

(51) **LOC (7) Cl.** **08-08**

(52) **U.S. Cl.** **D8/387**

(58) **Field of Search** D8/387; 411/403,
411/405

FIG. 1 is a top plan view thereof;
FIG. 2 is a front elevation thereof;
FIG. 3 is a bottom plan view thereof;
FIG. 4 is a right-side elevation thereof;
FIG. 5 is a left-side elevation thereof;
FIG. 6 is a rear elevation thereof;
FIG. 7 is a cross section taken along the line 7—7 in FIG. 1; and,
FIG. 8 is an enlarged perspective view.
The broken lines in the drawing show environmental structure and form no part of the claimed design.

(56) **References Cited**

U.S. PATENT DOCUMENTS

2,083,092 A * 6/1937 Richer 411/403
3,295,572 A * 1/1967 Wing 81/460
4,269,246 A * 5/1981 Larson et al. 81/460
4,459,074 A * 7/1984 Capuano 411/403

1 Claim, 2 Drawing Sheets

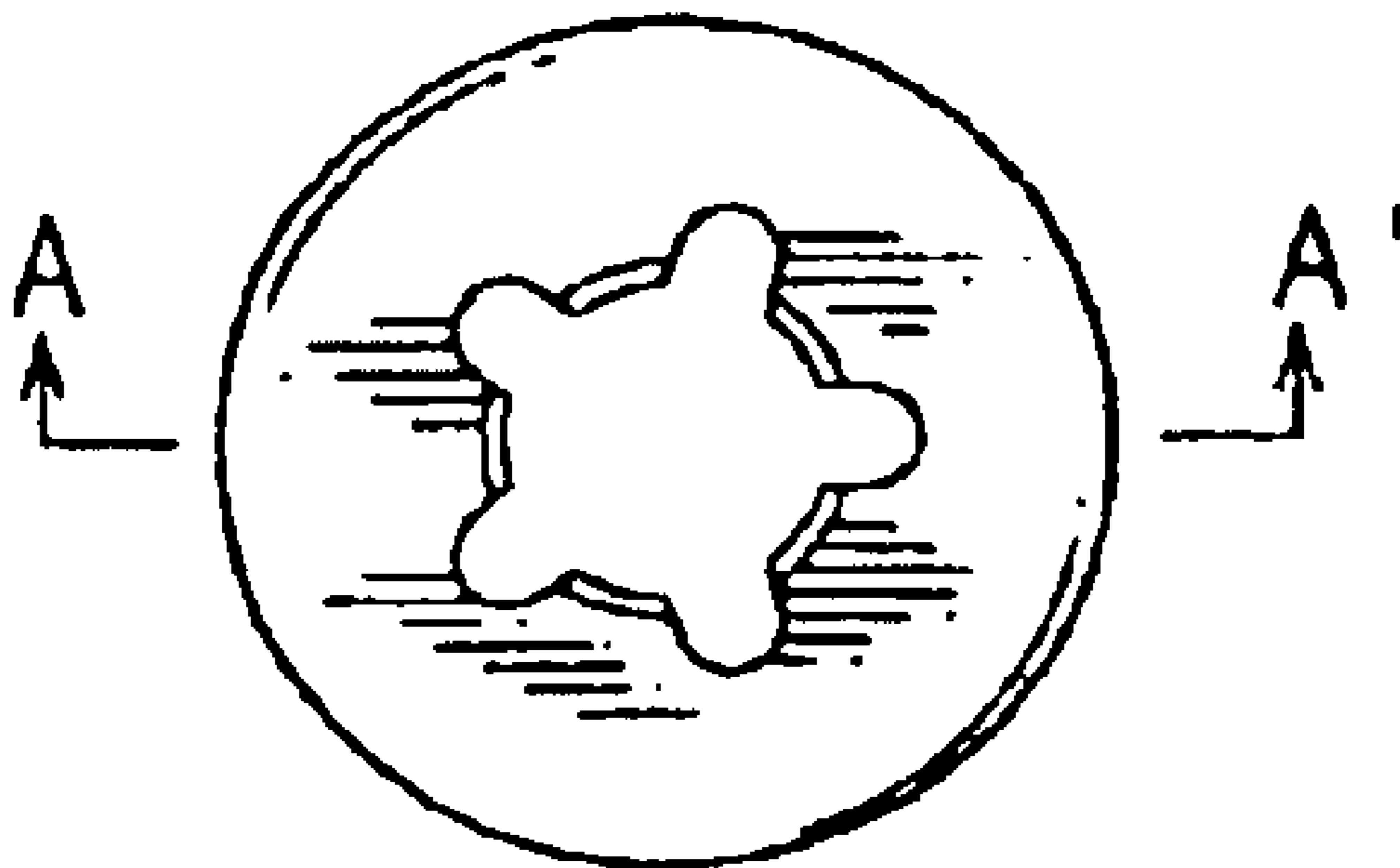


Fig. 1

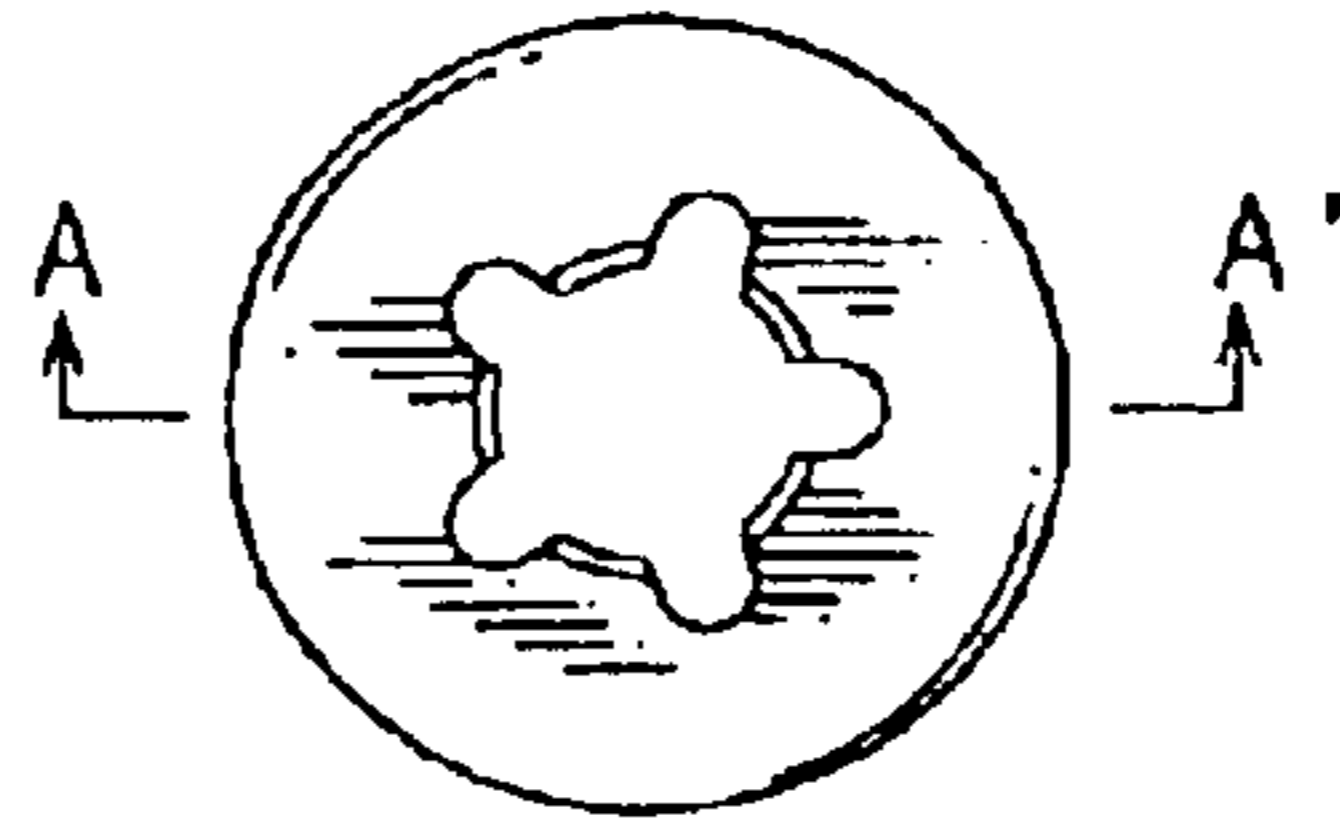


Fig. 2

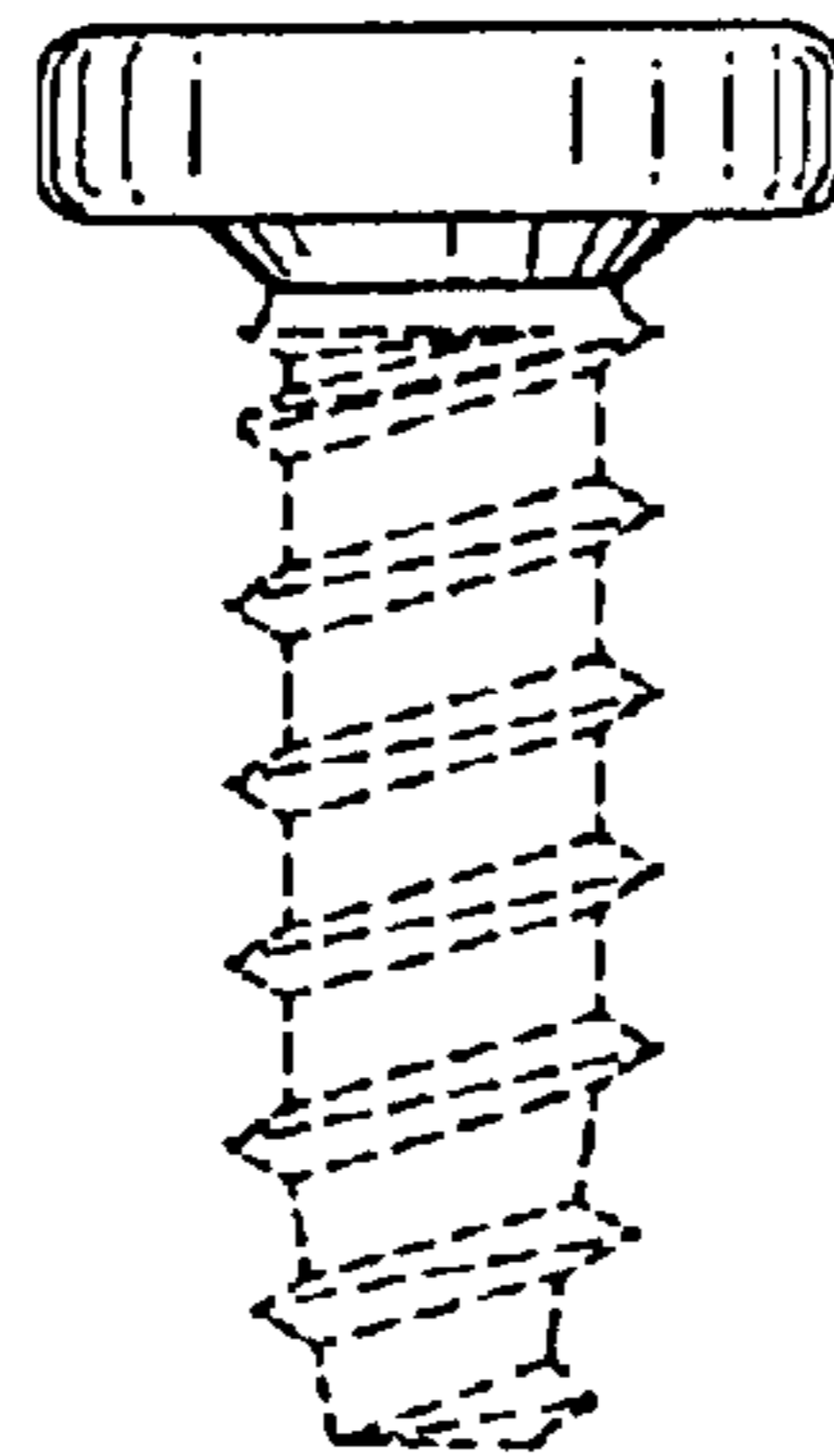


Fig. 3

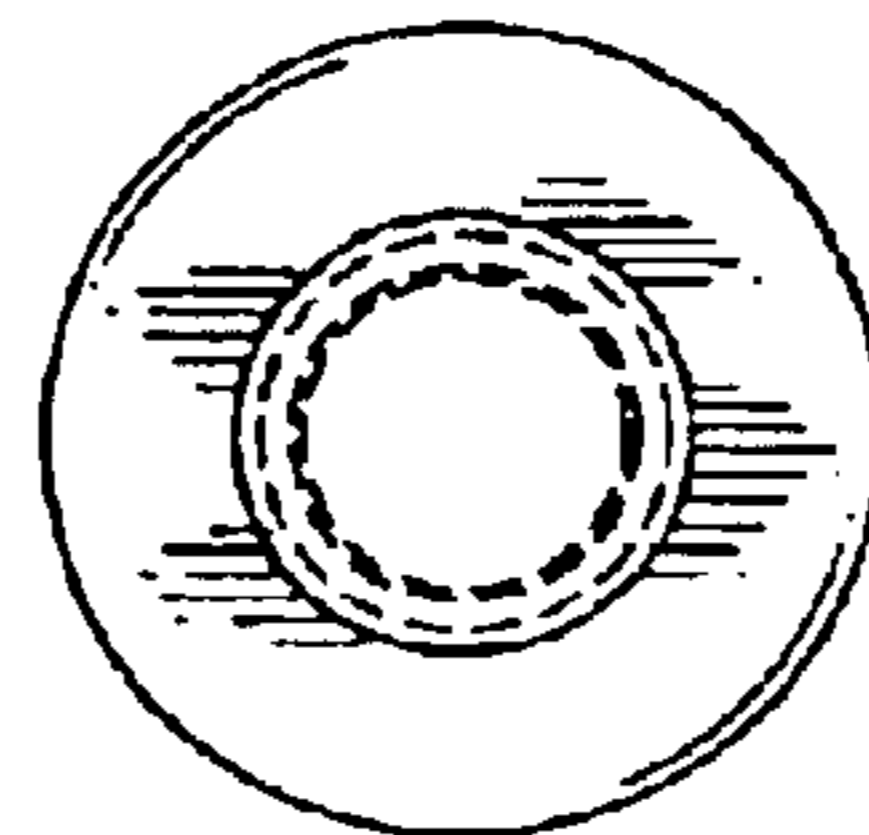


Fig. 4

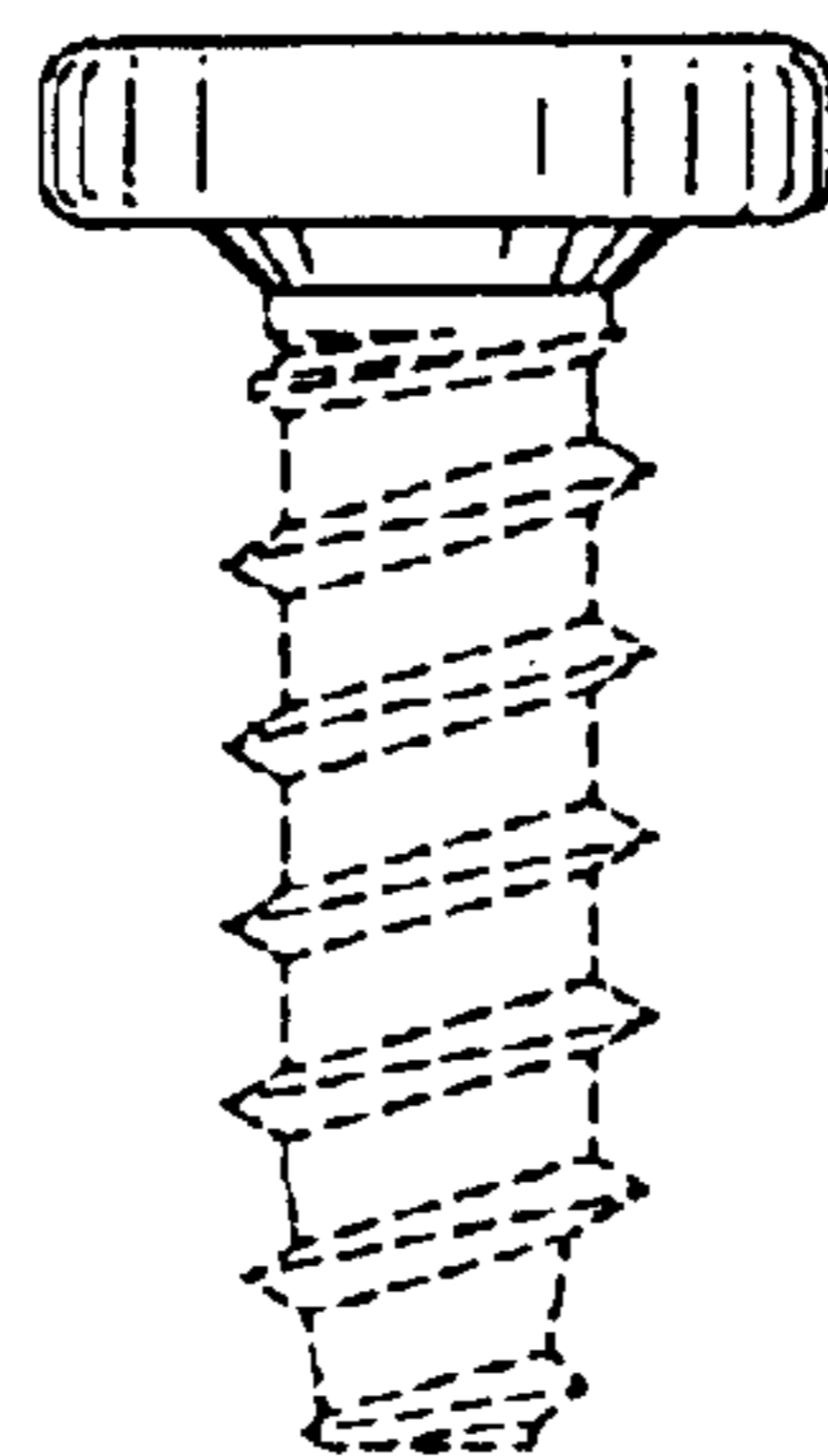


Fig. 5

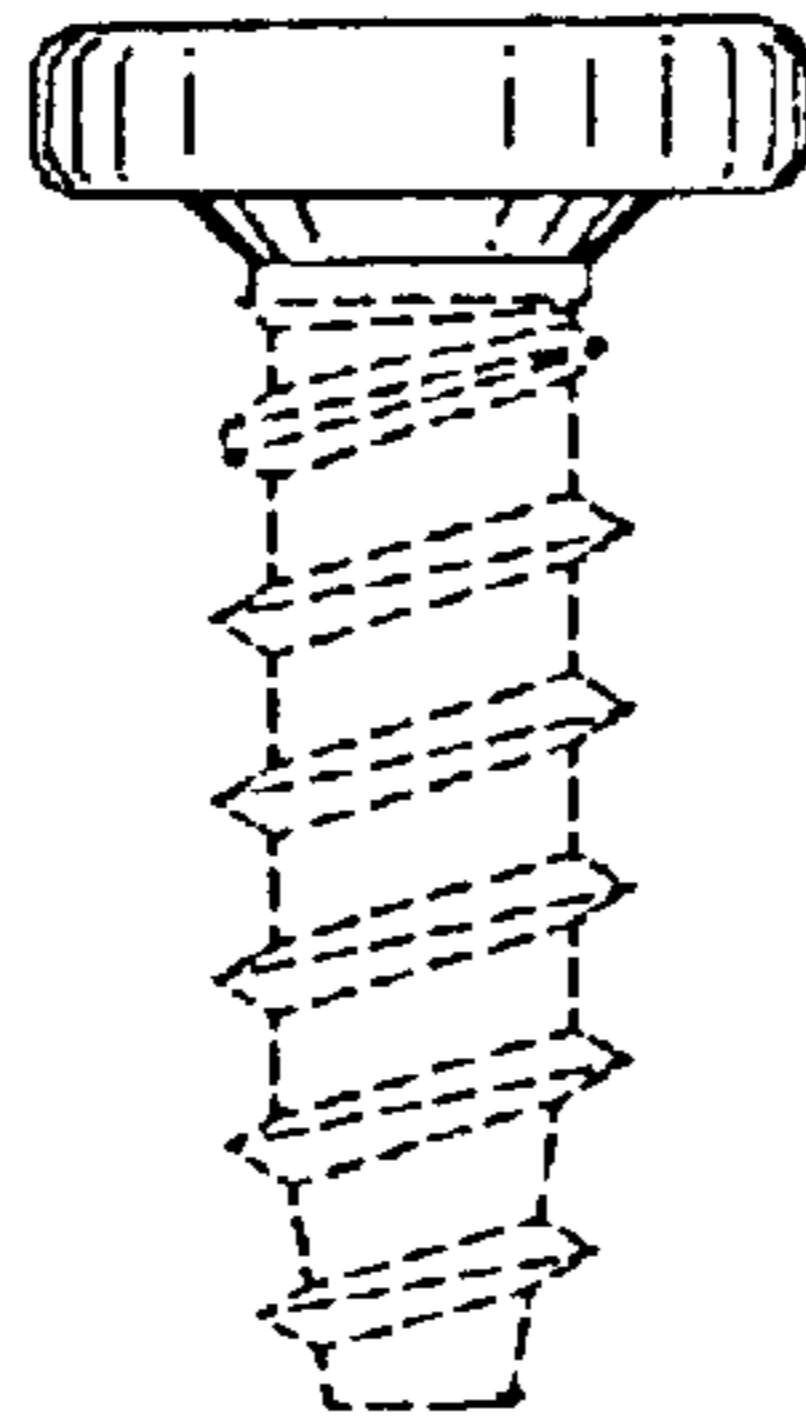


Fig. 6

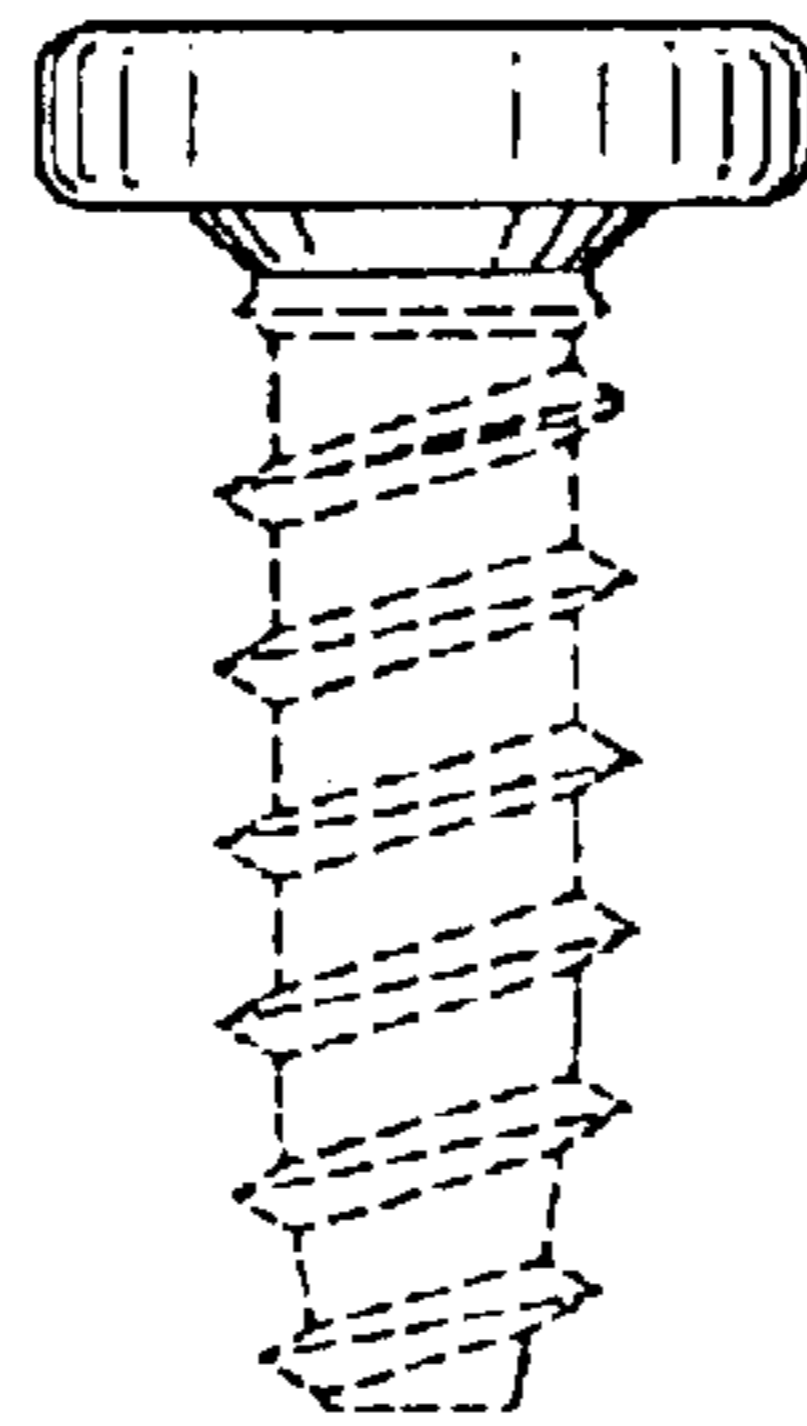


Fig. 7



Fig. 8

