



US00D493096S1

(12) **United States Design Patent**
Sittig

(10) **Patent No.:** **US D493,096 S**
(45) **Date of Patent:** **** Jul. 20, 2004**

(54) **BED ELEVATOR**

D423,340 S * 4/2000 Sittig D8/374

(76) Inventor: **Kenneth W. Sittig**, 25 Keegan La.,
#5B, Greenfield, MA (US) 01301

* cited by examiner

(**) Term: **14 Years**

Primary Examiner—Holly Baynham
(74) *Attorney, Agent, or Firm*—Steven N. Fox, Esq.

(21) Appl. No.: **29/183,084**

(57) **CLAIM**

(22) Filed: **Jun. 5, 2003**

The ornamental design of a “bed elevator,” as shown and described.

(51) **LOC (7) Cl.** **08-05**

DESCRIPTION

(52) **U.S. Cl.** **D8/374**

(58) **Field of Search** D8/374; 248/188.2,
248/346.11; 5/658, 663

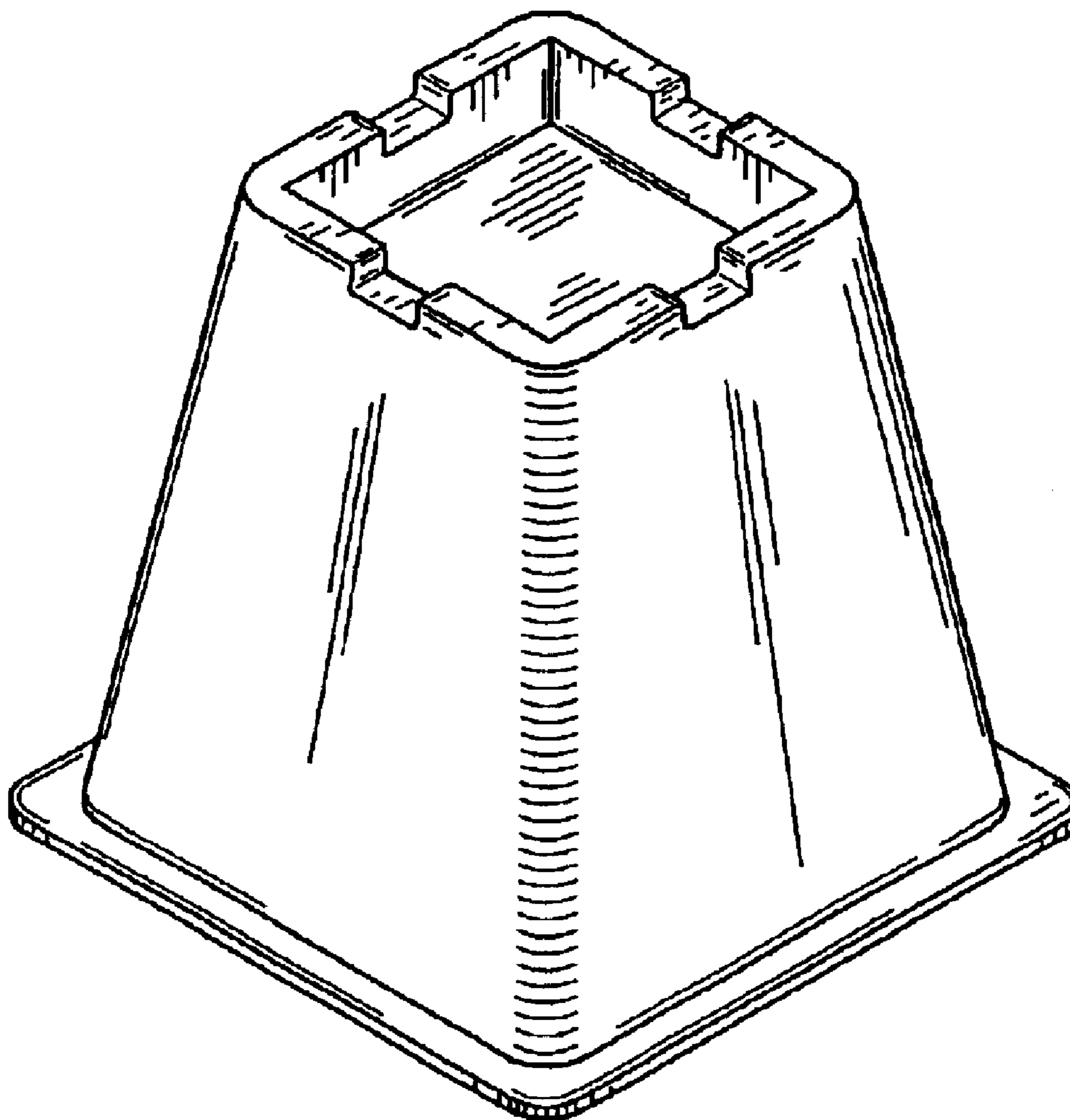
FIG. 1 is a perspective view of the present invention;
FIG. 2 is a top plan view of the present invention;
FIG. 3 is a front elevation view of the present invention
which is also illustrative of all side elevation and rear
elevation views of the present invention; and,
FIG. 4 is a bottom plan view of the present invention.

(56) **References Cited**

U.S. PATENT DOCUMENTS

- 3,028,703 A * 4/1962 Matter 248/188.3
- D336,843 S * 6/1993 Hurst D8/374
- D404,992 S * 2/1999 Sittig D8/374

1 Claim, 1 Drawing Sheet



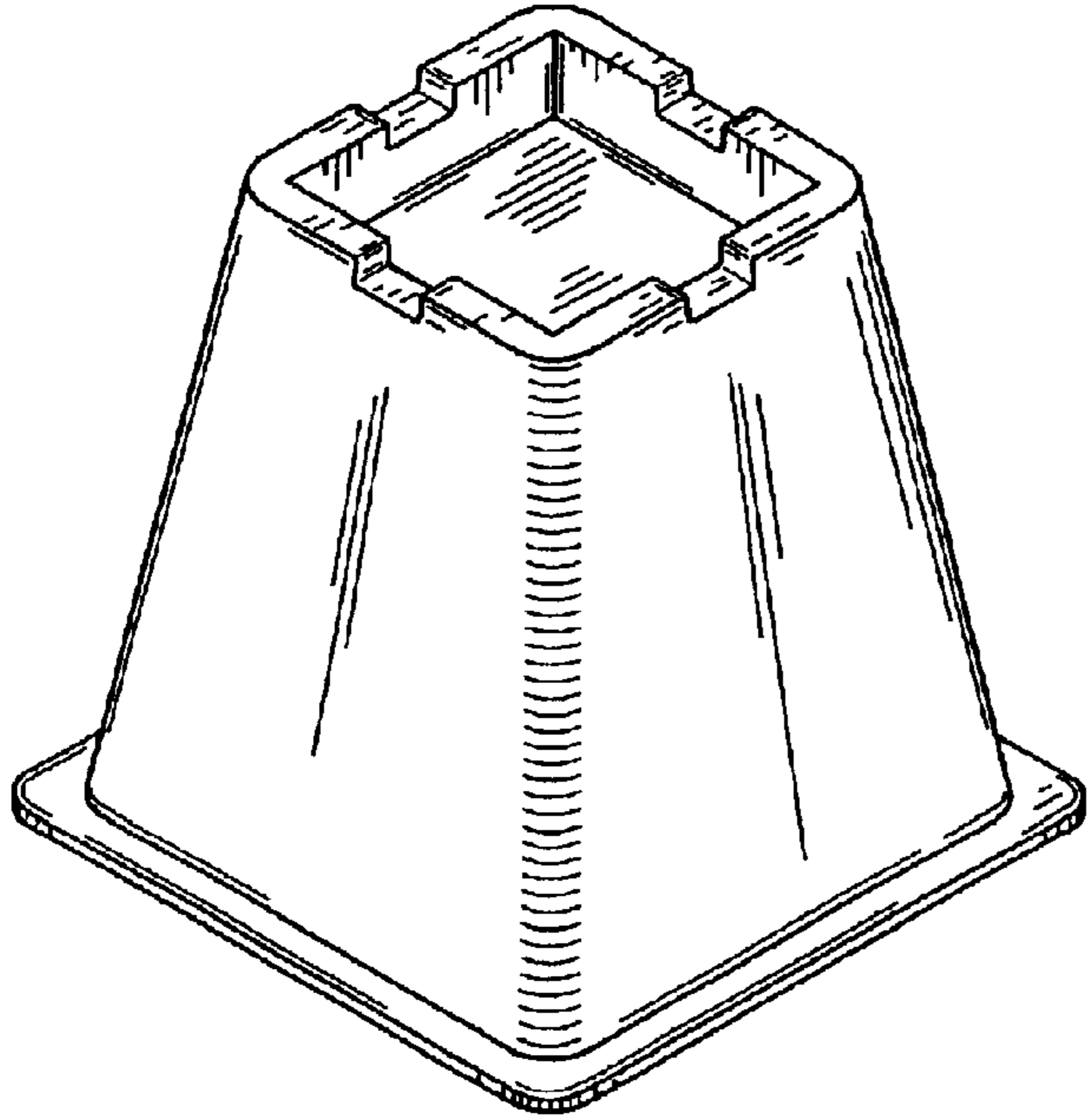


FIG. 1

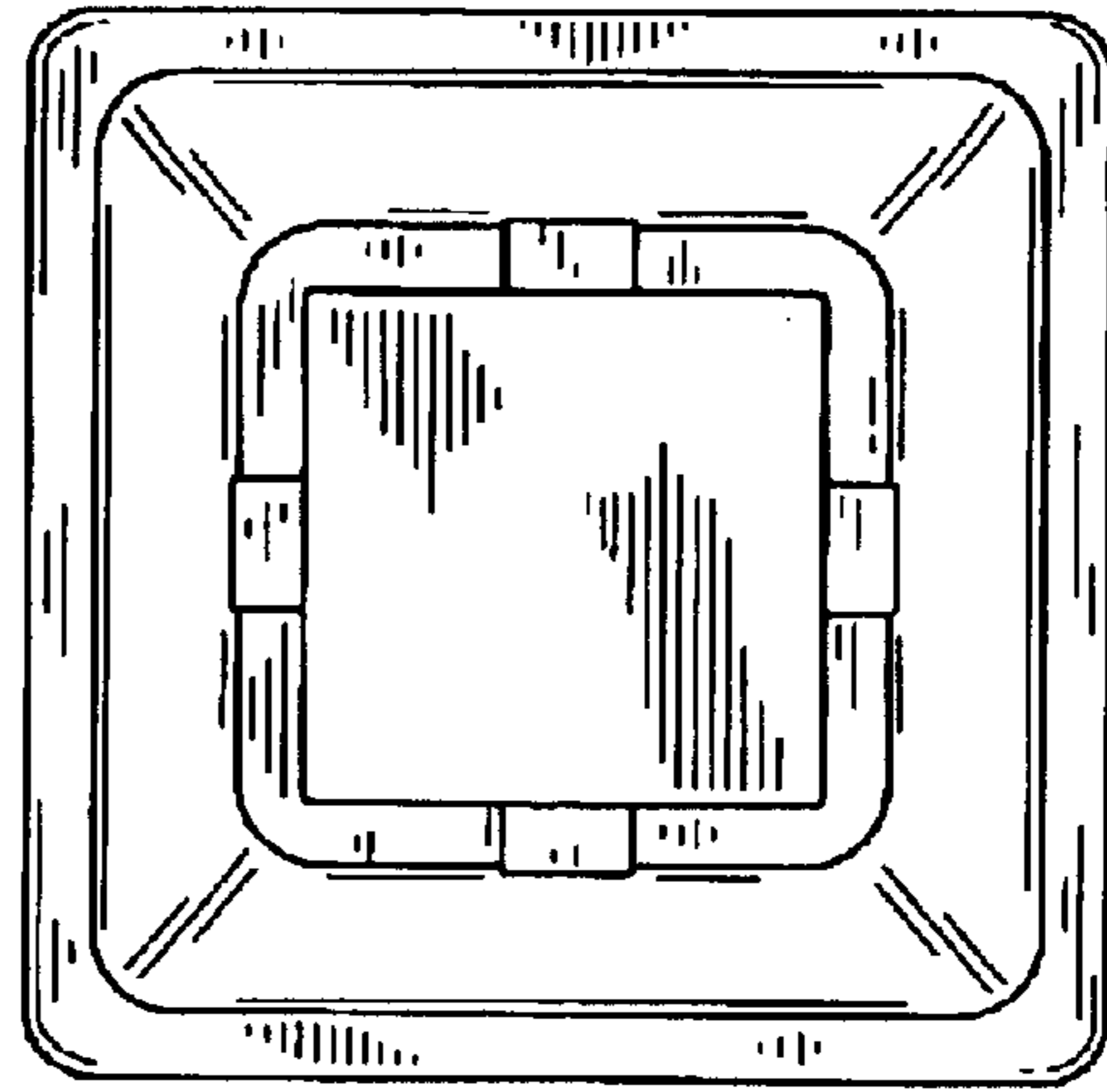


FIG. 2

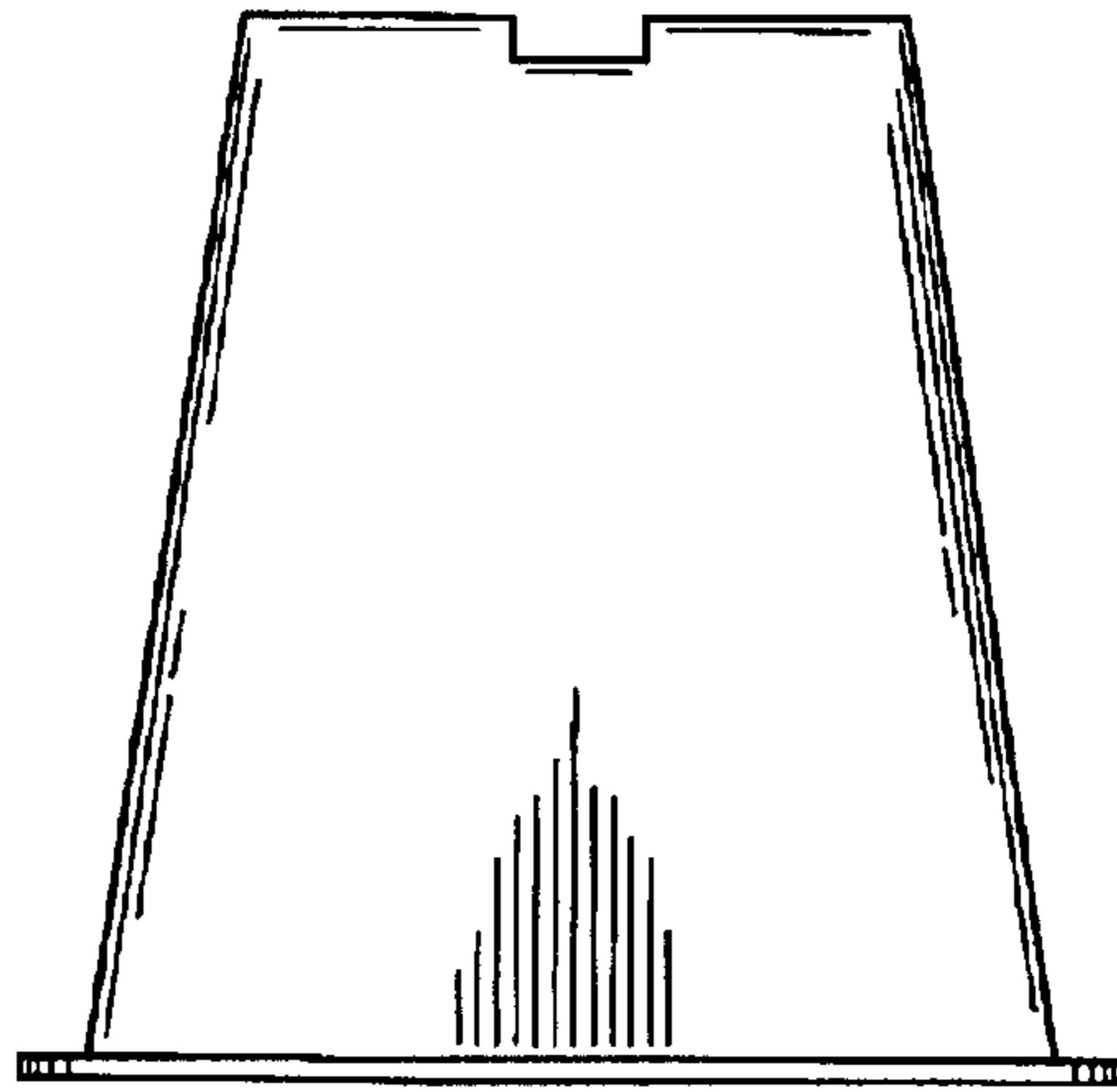


FIG. 3

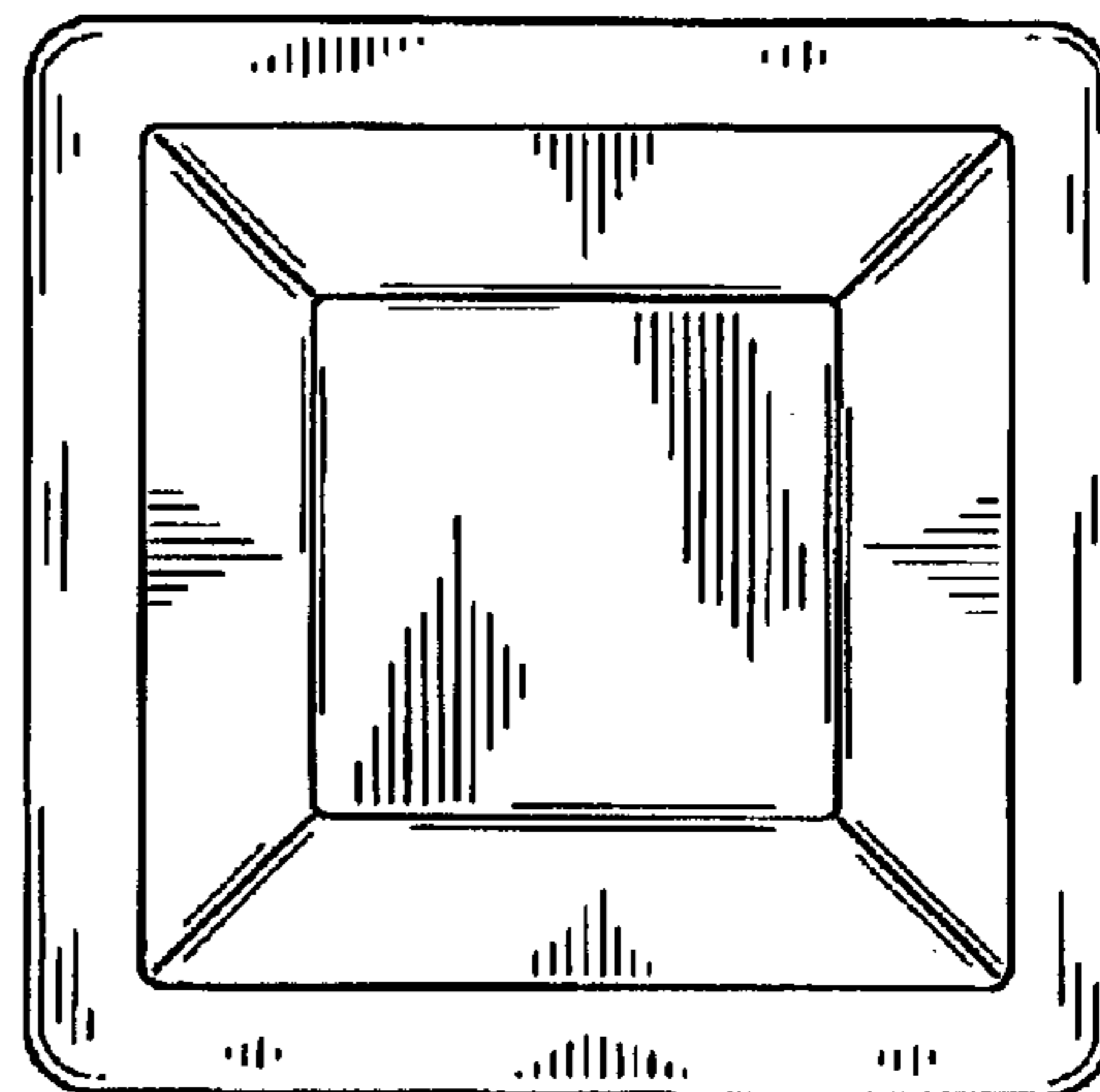


FIG. 4