

US00D493093S1

(12) **United States Design Patent**
Goodman et al.

(10) **Patent No.: US D493,093 S**
(45) **Date of Patent: ** Jul. 20, 2004**

(54) **HAT AND COAT HOOK WITH MOUNTING PLATE**

(75) Inventors: **Sheldon H. Goodman**, 30905 Stratford Dr., Solon, OH (US) 44139; **Kent W. Murphy**, Wooster, OH (US)

(73) Assignee: **Sheldon H. Goodman**, Solon, OH (US)

(**) Term: **14 Years**

(21) Appl. No.: **29/193,966**

(22) Filed: **Nov. 17, 2003**

(51) **LOC (7) Cl.** **08-05**

(52) **U.S. Cl.** **D8/367**

(58) **Field of Search** D8/367, 372, 363;
D6/323; 248/301, 304, 215

(56) **References Cited**

U.S. PATENT DOCUMENTS

632,234	A	*	9/1899	Burgess	248/304
4,082,243	A	*	4/1978	Watt et al.	248/205.1
D343,066	S	*	1/1994	Hsu	D6/323
D390,012	S		2/1998	Goodman et al.		
D401,840	S		12/1998	Goodman et al.		
D425,316	S	*	5/2000	Snell	D6/323
D456,695	S		5/2002	Goodman et al.		
D472,059	S	*	3/2003	Hoernig	D6/323
D473,453	S		4/2003	Goodman et al.		

OTHER PUBLICATIONS

Spectrum New For 2002 New Products Brochure, Circa 2002, Cover page and 7 pages.

Spectrum Hooks and Holders Brochure, Circa 2002, Cover page and 7 pages.

Spectrum Wire Storage Brochure, Circa 2002, Cover page and 5 pages.

* cited by examiner

Primary Examiner—Holly Baynham

(74) *Attorney, Agent, or Firm*—Fay, Sharpe, Fagan, Minnich & McKee, LLP

(57) **CLAIM**

The ornamental design for a hat and coat hook with mounting plate, as shown and described.

DESCRIPTION

FIG. 1 is a perspective view of a hat and coat hook with mounting plate showing our new design;

FIG. 2 is a left side elevational view thereof, with the right side elevational view being a mirror image thereof;

FIG. 3 is a front elevational view thereof;

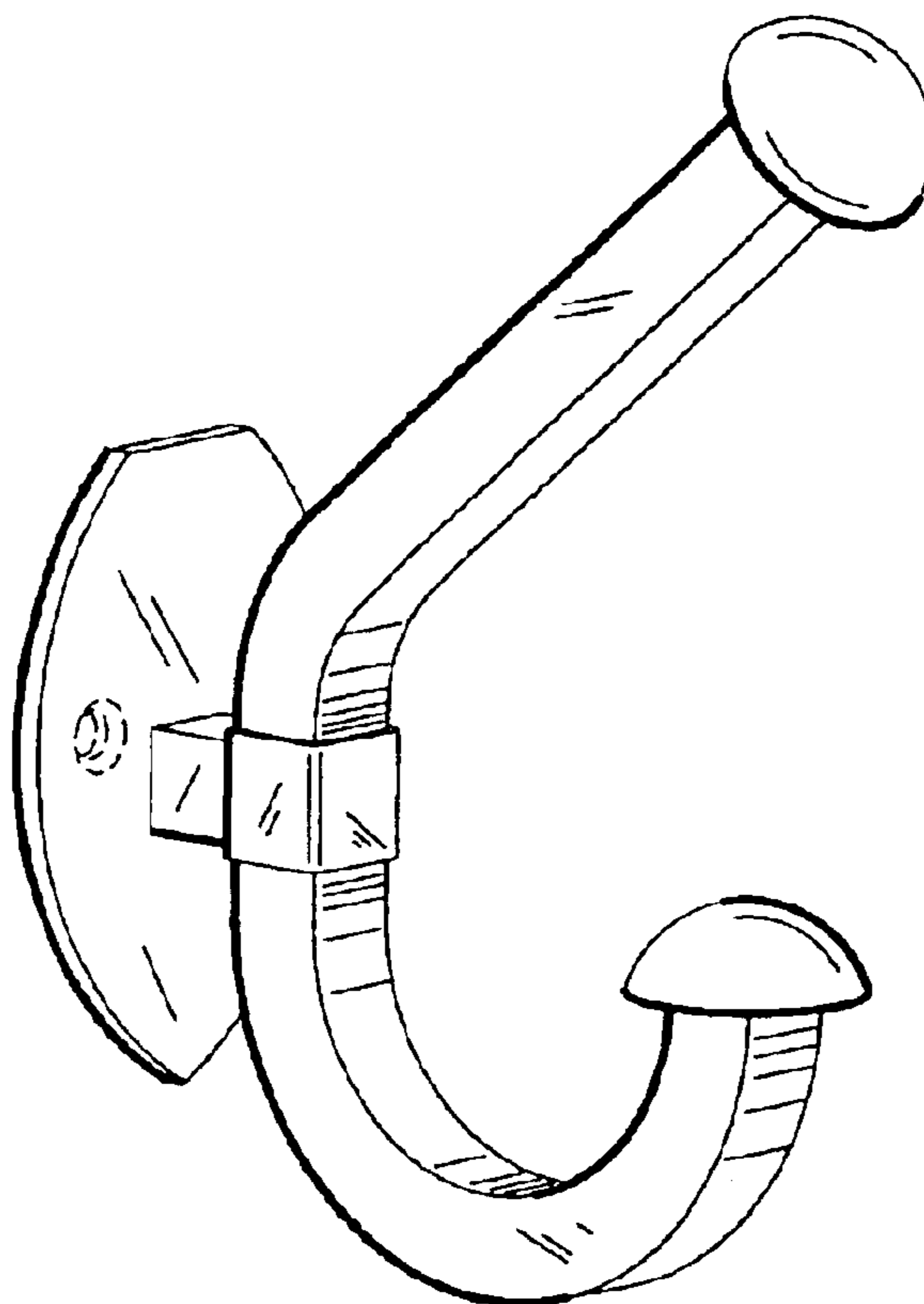
FIG. 4 is a rear elevational view thereof;

FIG. 5 is a top plan view thereof; and,

FIG. 6 is a bottom plan view thereof.

The portions shown in broken lines in FIGS. 1, 3 and 4 form no part of the claimed design.

1 Claim, 2 Drawing Sheets



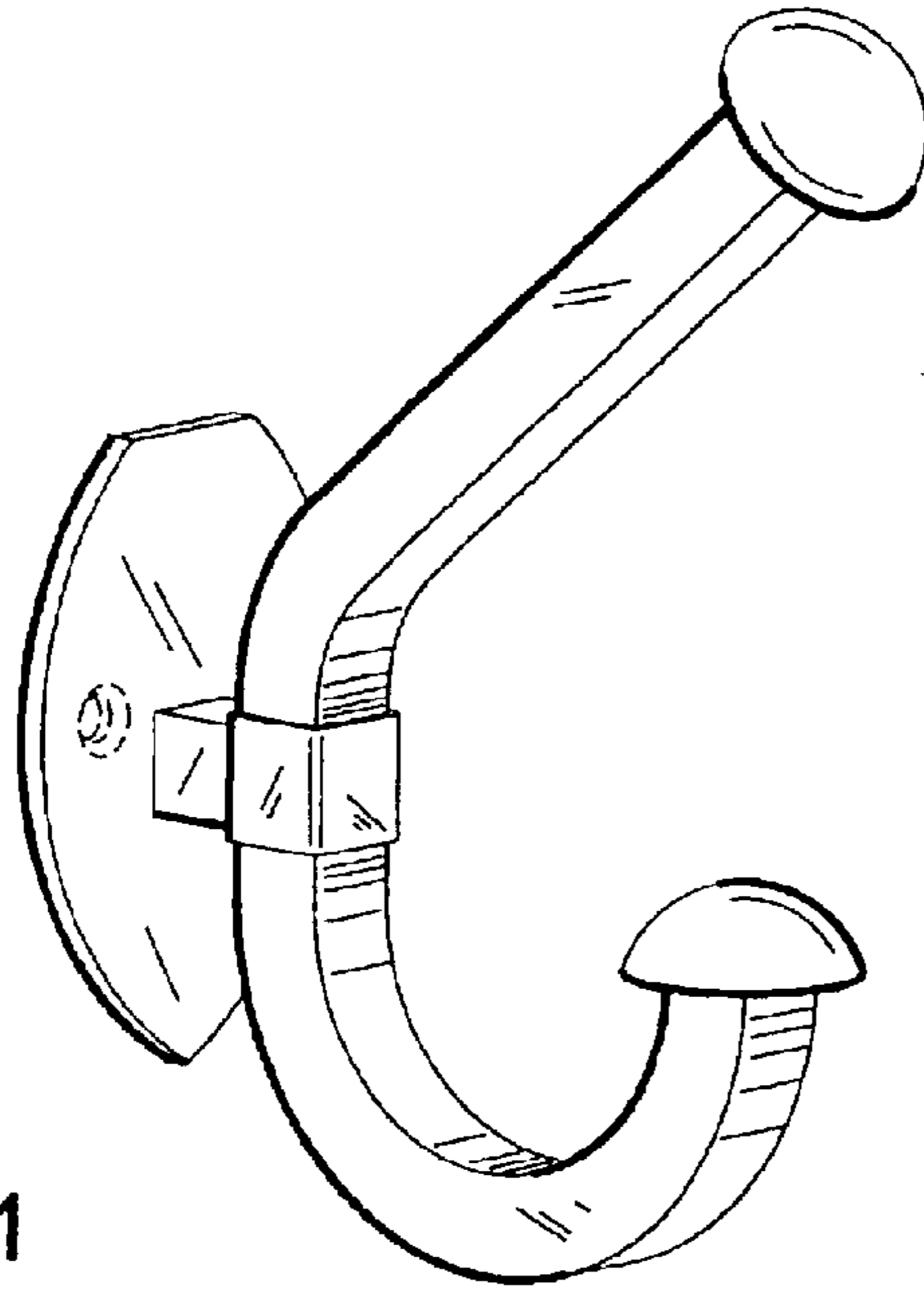


FIG. 1

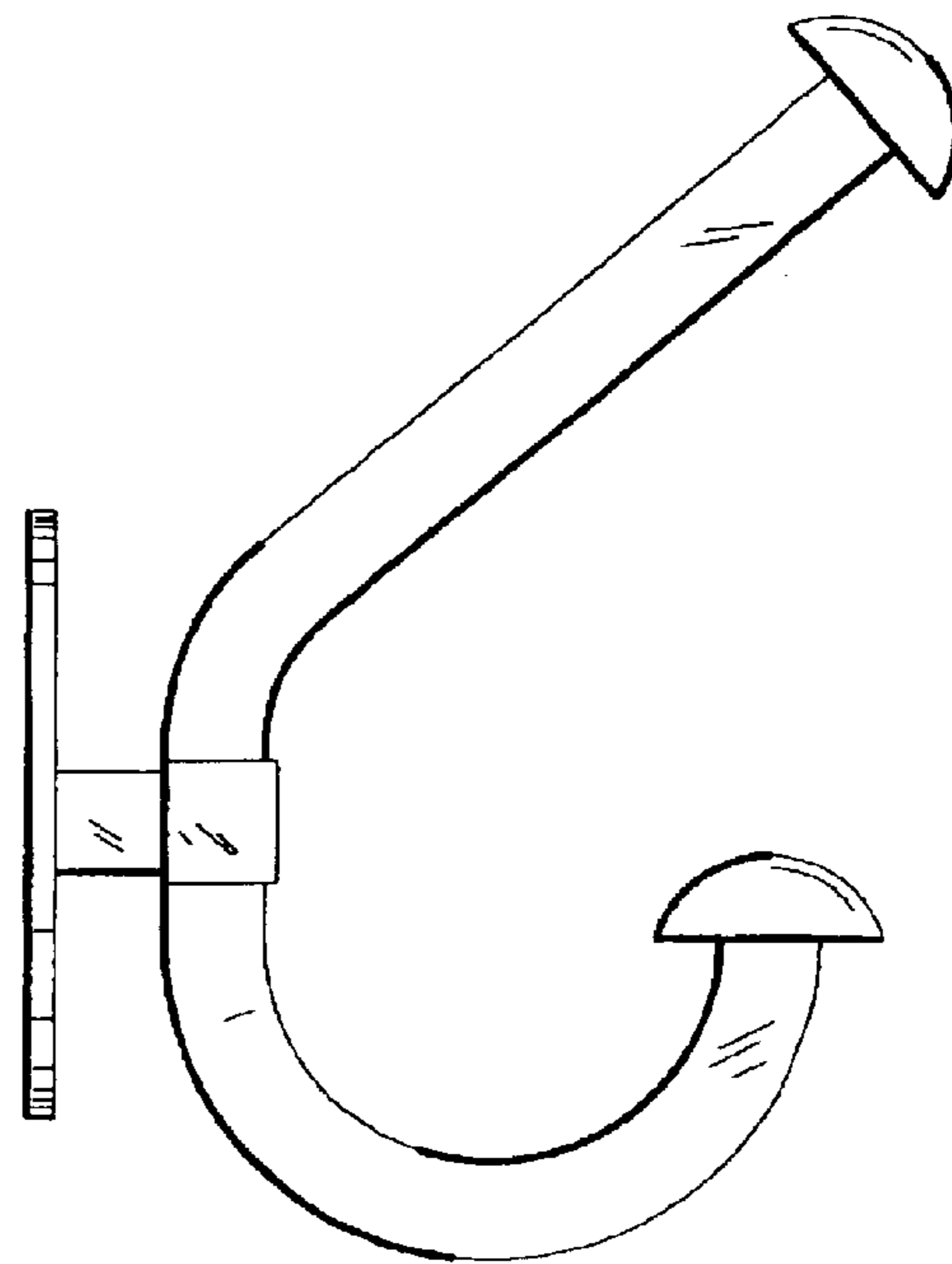


FIG. 2

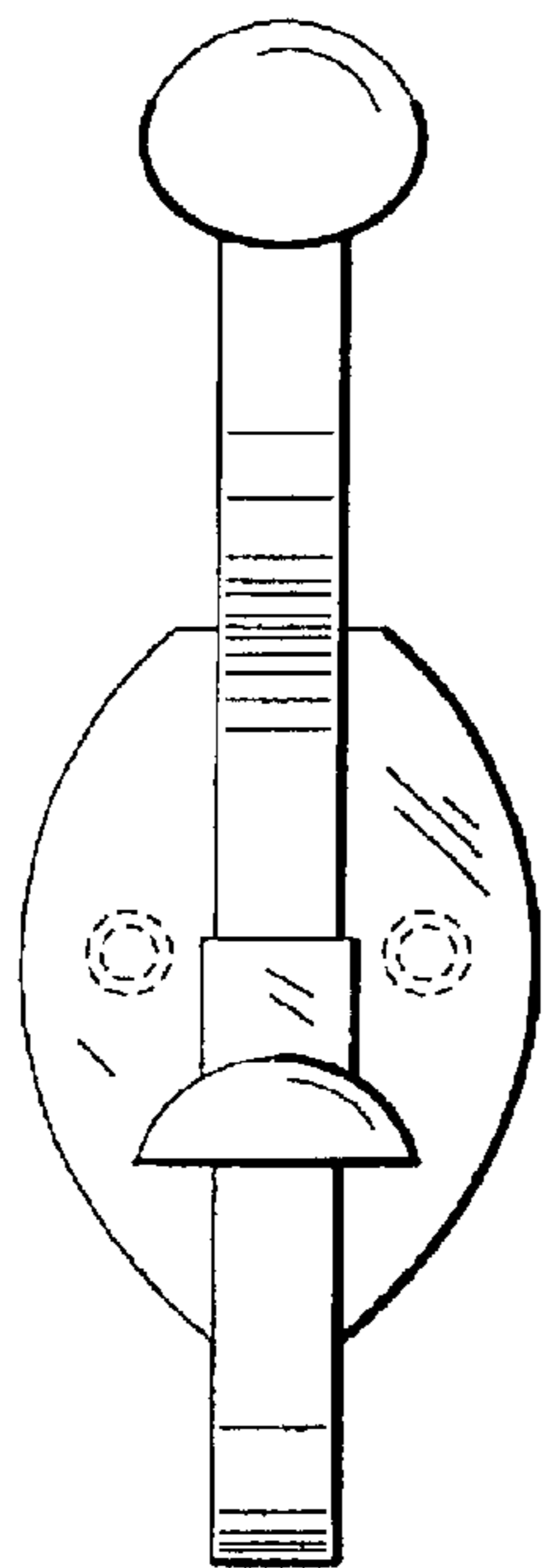


FIG. 3

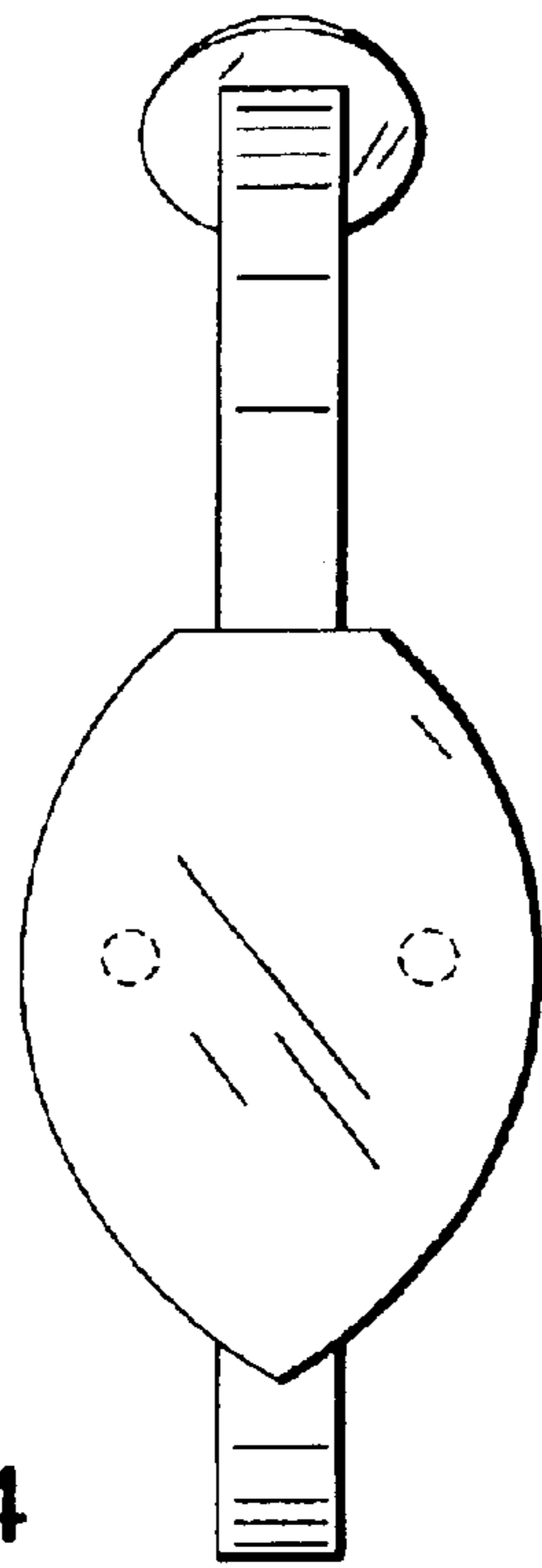


FIG. 4

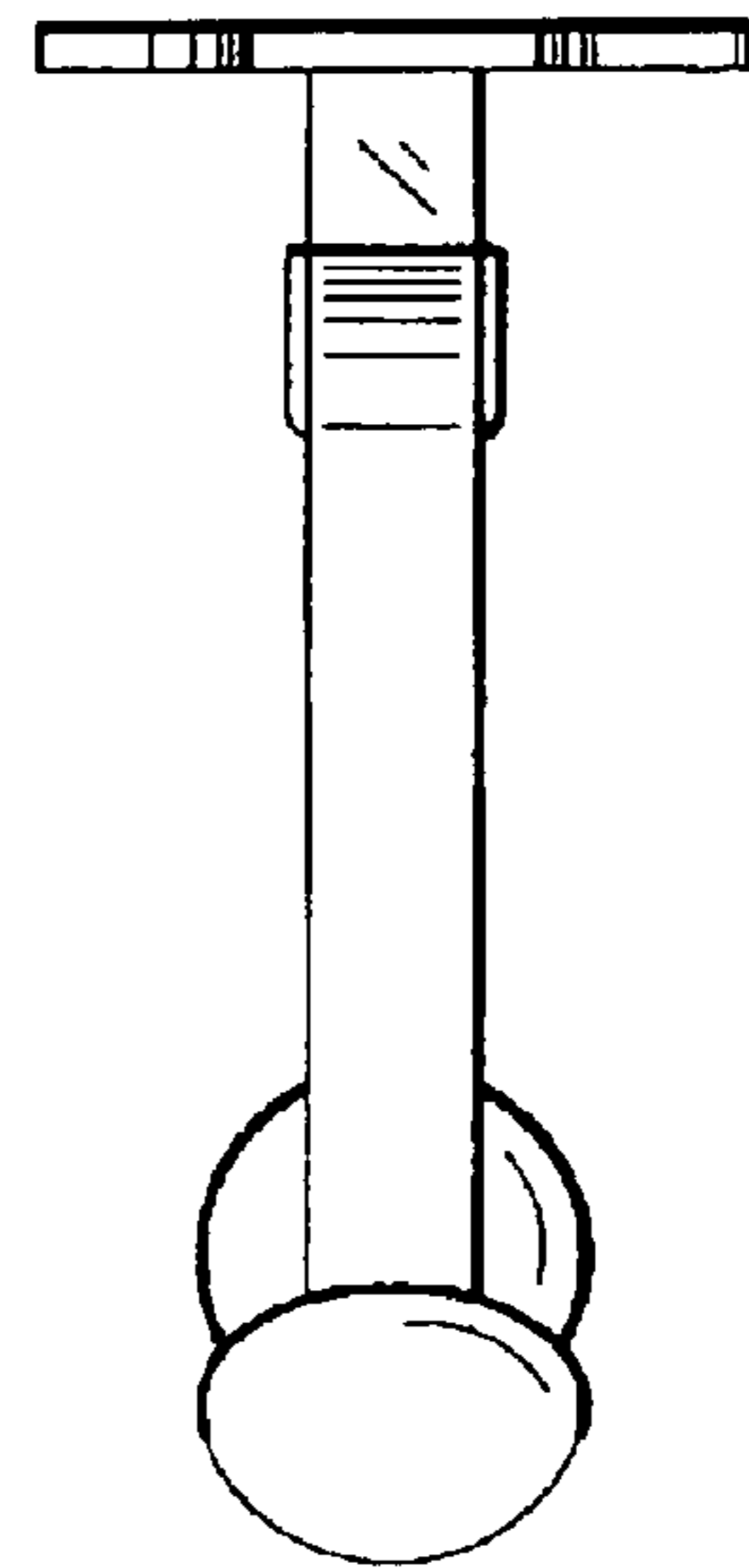


FIG. 5

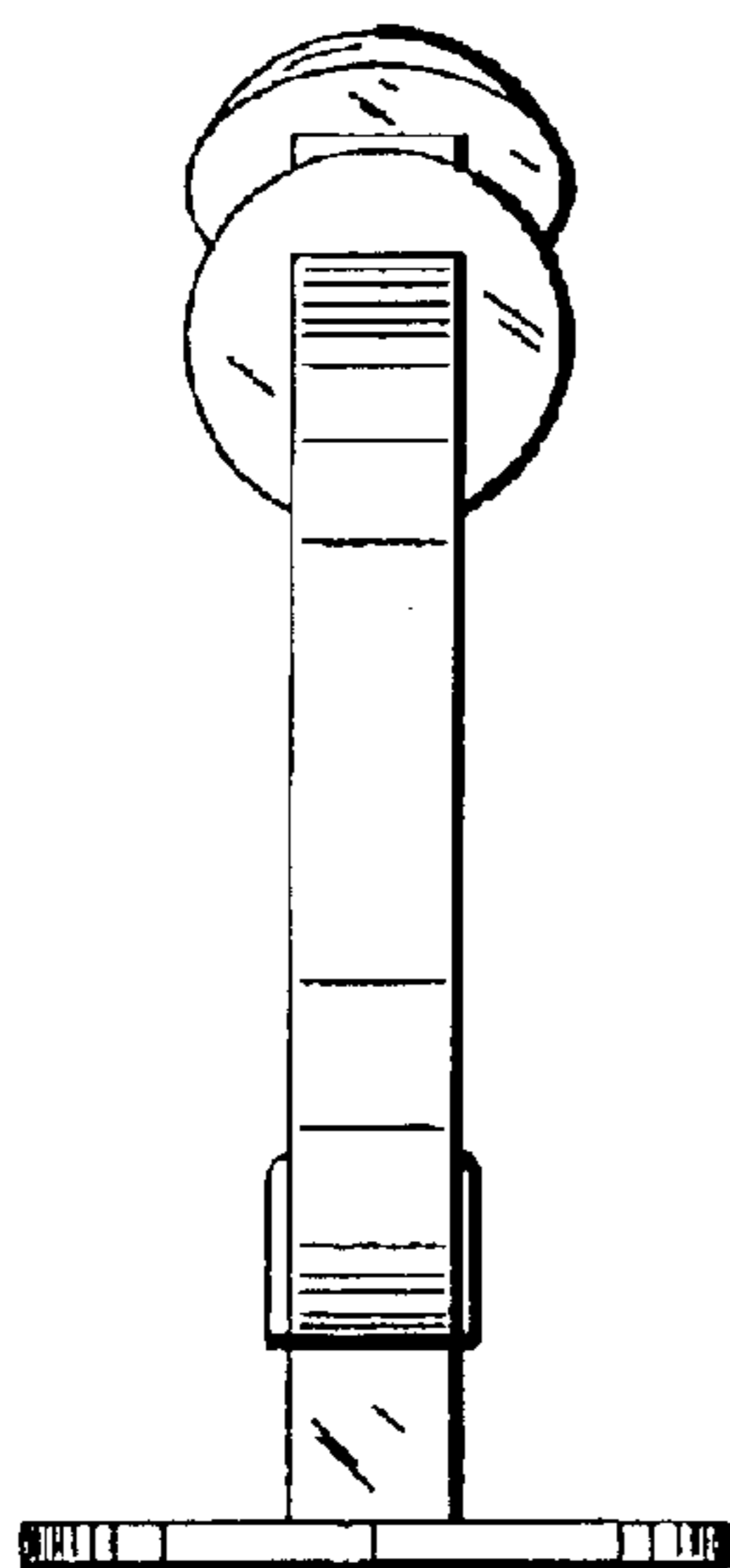


FIG. 6