

US00D493090S1

(12) **United States Design Patent**  
**Chen et al.**

(10) **Patent No.:** **US D493,090 S**  
(45) **Date of Patent:** **\*\* Jul. 20, 2004**

(54) **ROTARY CONTROL KNOB FOR AN APPLIANCE**

(75) Inventors: **Xiaojian James Chen**, Cleveland, TN (US); **Gary B. Jackovin**, Ankeny, IA (US)

(73) Assignee: **Maytag Corporation**, Newton, IA (US)

(\*\*) Term: **14 Years**

(21) Appl. No.: **29/180,658**

(22) Filed: **Apr. 29, 2003**

(51) **LOC (7) Cl.** ..... **08-06**

(52) **U.S. Cl.** ..... **D8/310**

(58) **Field of Search** ..... D8/300-302, 307, D8/352, DIG. 2, 310-311; D13/158, 171, 174; 116/309, 311-312, 317-319, DIG. 28, 298; 200/329, 336, 341; 292/169, 336.3, 347; 16/309, 441

(56) **References Cited**

**U.S. PATENT DOCUMENTS**

D67,443 S	6/1925	Burke	
D67,444 S	6/1925	Burke	
1,552,052 A	9/1925	Danielson et al.	
D68,989 S	12/1925	Riehle	
D149,415 S	* 4/1948	Johnson	..... D8/311
D165,672 S	1/1952	Stewart	
2,899,841 A	8/1959	Melloy	
D186,982 S	1/1960	Mozneck	
3,125,064 A	3/1964	Zeutschel	

4,499,630 A	2/1985	Harris	
D284,064 S	* 6/1986	Poissant	..... D8/311
5,123,123 A	* 6/1992	Hart et al.	..... 16/441
5,450,653 A	9/1995	Howie, Jr.	
5,509,174 A	4/1996	Worrell	
5,669,104 A	9/1997	Howie, Jr.	
D402,269 S	12/1998	Waters	
6,463,630 B1	10/2002	Howie, Jr.	

\* cited by examiner

*Primary Examiner*—Nanda Bondade

(74) *Attorney, Agent, or Firm*—Diederiks & Whitelaw, PLC

(57) **CLAIM**

The ornamental design for a rotary control knob for an appliance, as shown and described.

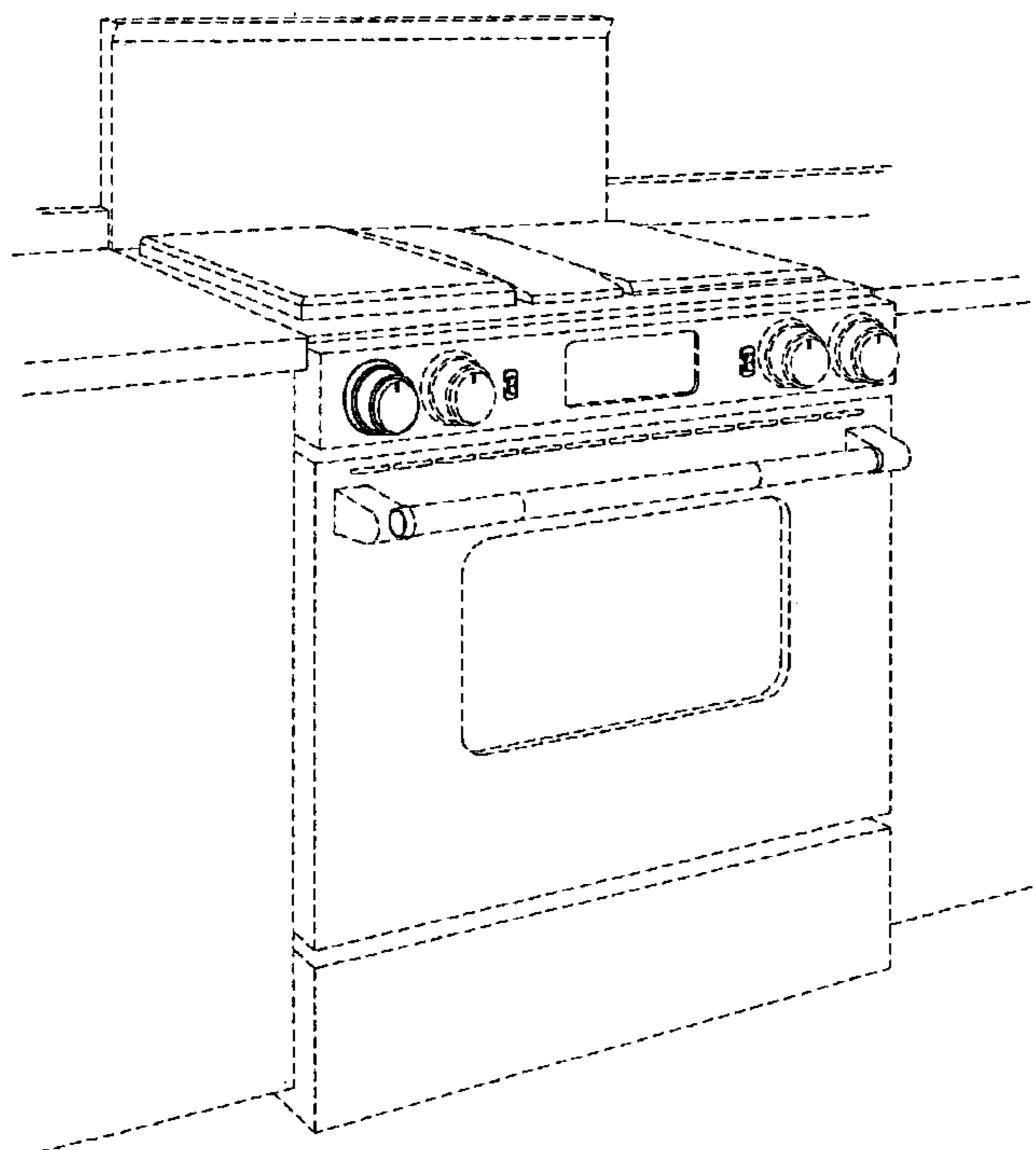
**DESCRIPTION**

FIG. 1 is a upper left perspective view of a rotary control knob for an appliance, showing my new design; FIG. 2 is an enlarged, upper right perspective view of the rotary control knob of the invention; FIG. 3 is a side elevational view of the rotary control knob of the invention, the remaining sides being identical; and, FIG. 4 is a top plan view of the rotary control knob of the invention.

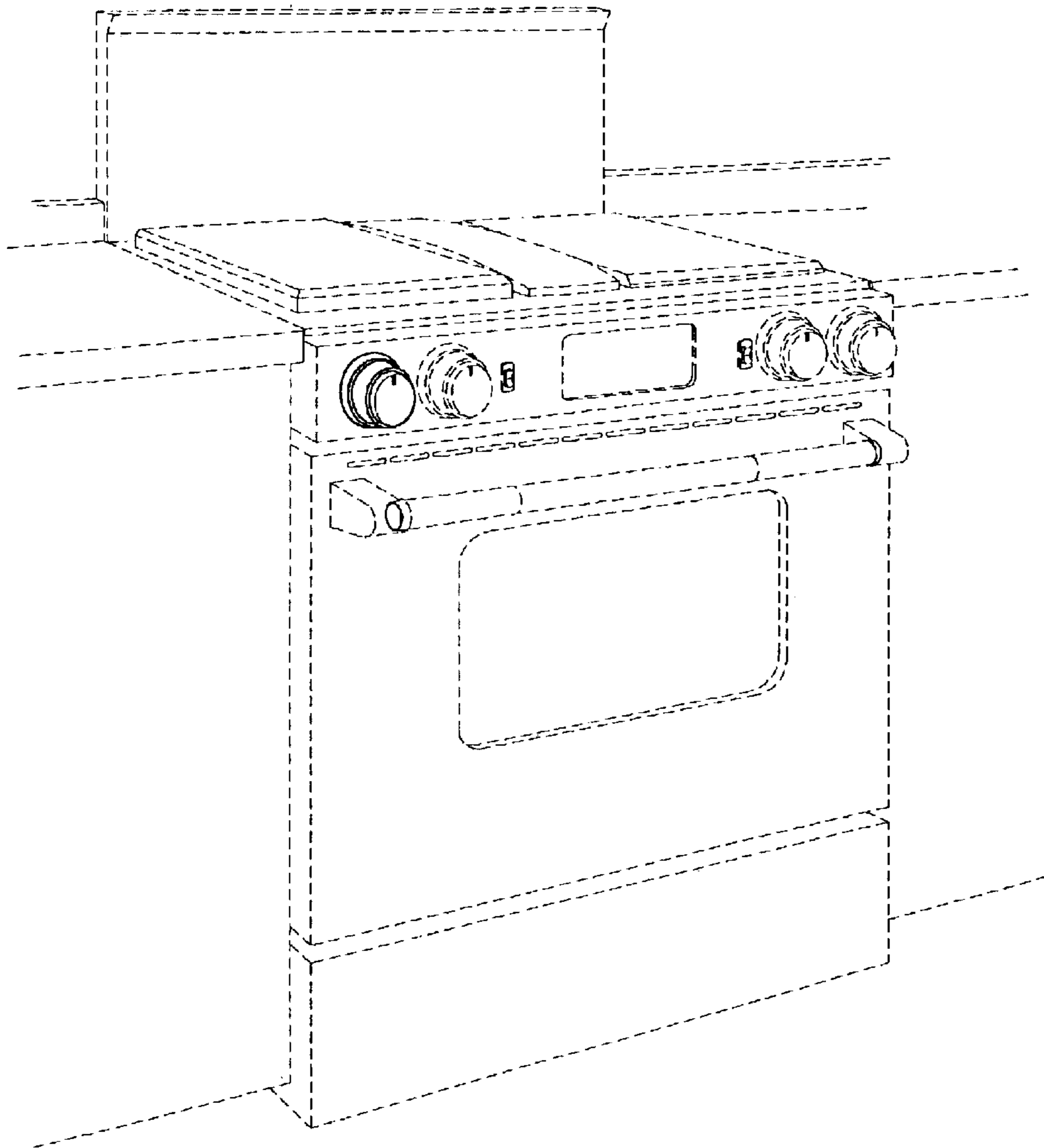
The bottom of the control knob does not form part of the invention and is therefore not depicted.

The broken line showing in FIG. 1 is for illustrative purposes only and forms no part of the claimed design.

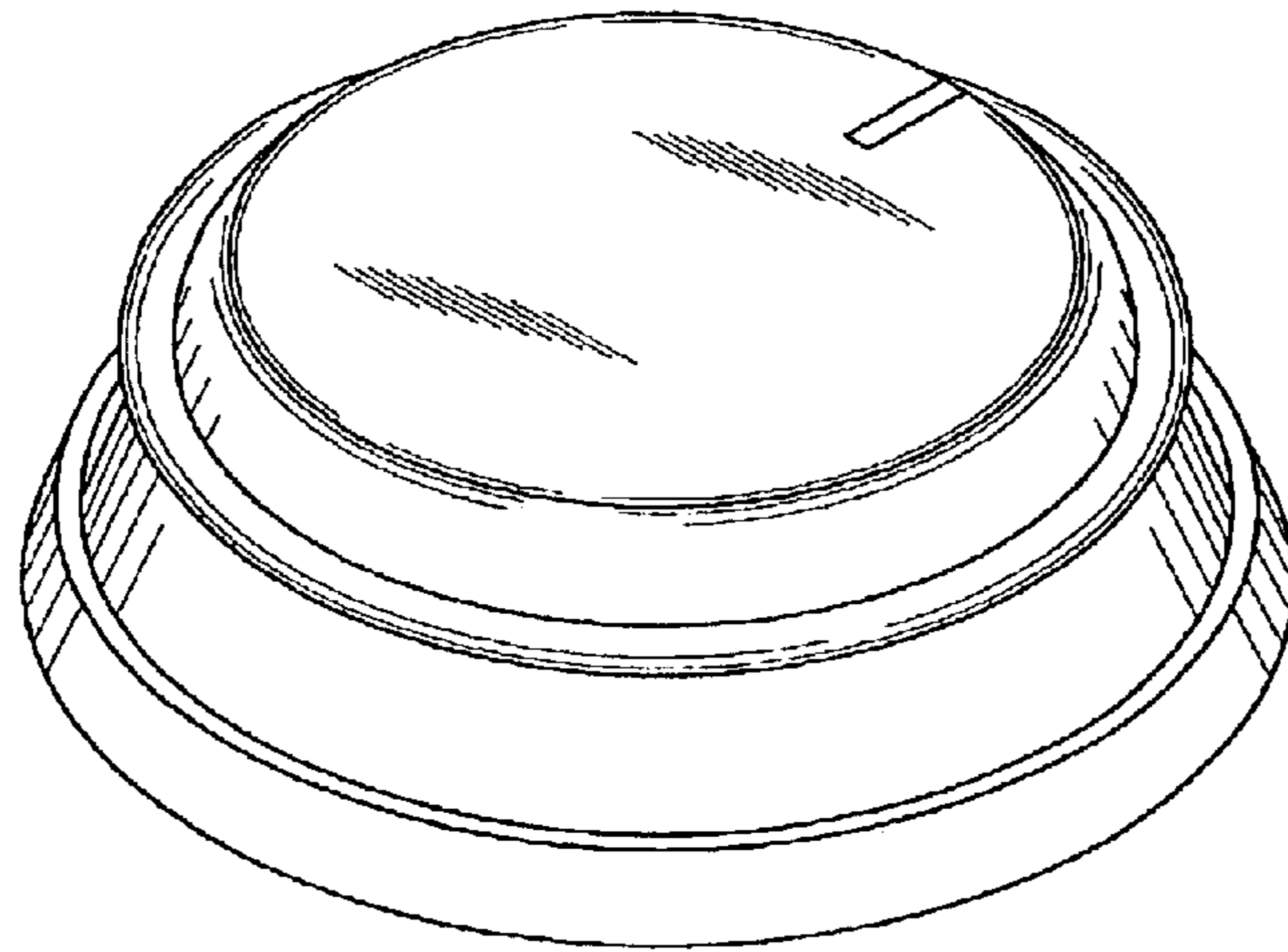
**1 Claim, 2 Drawing Sheets**



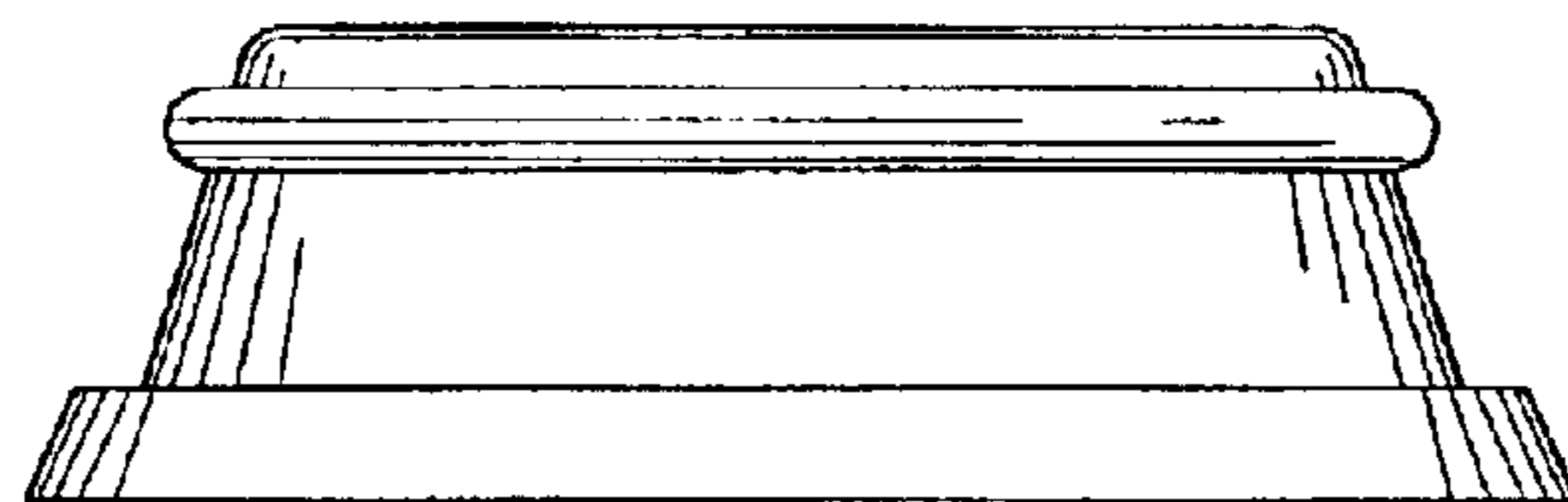
*FIG. 1*



*FIG. 2*



*FIG. 3*



*FIG. 4*

