

US00D493084S1

(12) **United States Design Patent**
Yang

(10) **Patent No.:** **US D493,084 S**

(45) **Date of Patent:** **** Jul. 20, 2004**

(54) **NAILING GUN BODY**

6,296,167 B1 * 10/2001 Jen 227/120
D459,185 S * 6/2002 Buck D8/69
6,494,355 B2 * 12/2002 Adachi et al. 227/120

(75) **Inventor:** **Brad Yang**, Taichung Hsien (TW)

(73) **Assignee:** **Testo Industry Corp.**, Taichung Hsien (TW)

(**) **Term:** **14 Years**

* cited by examiner

Primary Examiner—Doris V. Coles

Assistant Examiner—T. Chase Nelson

(74) *Attorney, Agent, or Firm*—Donald C. Casey

(21) **Appl. No.:** **29/170,044**

(57) **CLAIM**

(22) **Filed:** **Oct. 31, 2002**

The ornamental design for a nailing gun body, as shown and described.

(51) **LOC (7) Cl.** **08-05**

(52) **U.S. Cl.** **D8/68**

(58) **Field of Search** D8/61, 62, 63,
D8/64, 65, 66, 67, 68, 69, 70; 81/57.11,
429, 464, 465, 466, 469, 489; 173/13, 169,
178, 213, 217; 227/8, 114, 120, 130, 136,
142; 310/50; 408/20, 124, 125, 234, 241 R;
451/358

DESCRIPTION

FIG. 1 is a perspective view of a nailing gun body of this invention.

FIG. 2 is a right side view of a nailing gun body of this invention;

FIG. 3 is a left side view of a nailing gun body of this invention;

FIG. 4 is a rear view of a nailing gun body of this invention;

FIG. 5 is a front view of a nailing gun body of this invention;

FIG. 6 is a top view of a nailing gun body of this invention;

FIG. 7 is a bottom view of a nailing gun body of this invention; and,

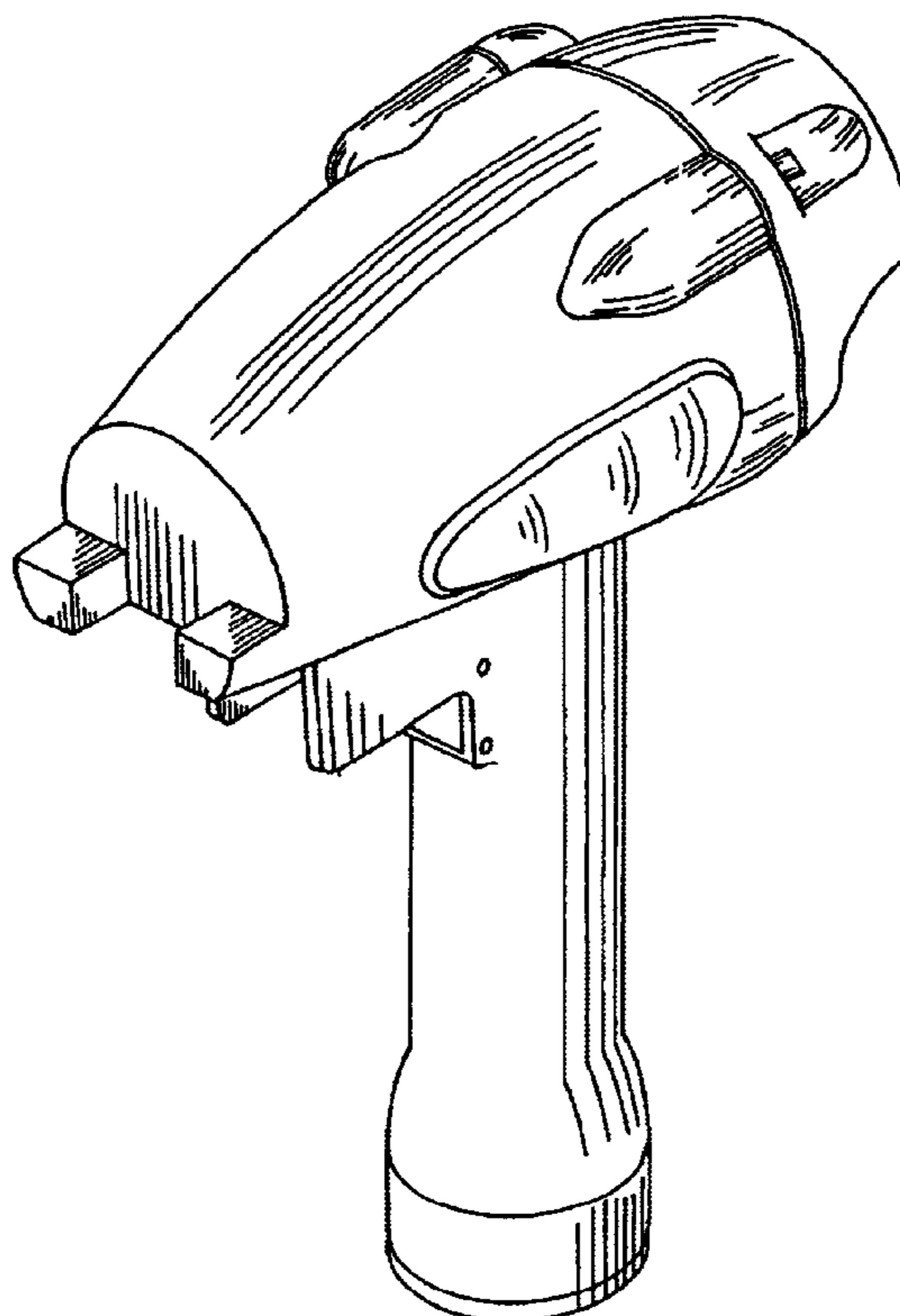
FIG. 8 is a side view of the nailing gun body at this invention as part of the fully assembled nailing gun. The broken lines show environmental structure which forms no part of the claimed design.

(56) **References Cited**

U.S. PATENT DOCUMENTS

D353,664 S	*	12/1994	Eminger et al.	D8/69
5,564,614 A	*	10/1996	Yang	227/142
D377,592 S	*	1/1997	Hattori	D8/69
D383,657 S	*	9/1997	Kaiser	D8/69
5,720,422 A	*	2/1998	Ichikawa et al.	227/120
5,842,625 A	*	12/1998	Kimura	227/120
D410,182 S	*	5/1999	Etter et al.	D8/69
6,036,072 A	*	3/2000	Lee	227/120
D435,769 S	*	1/2001	Etter et al.	D8/68

1 Claim, 8 Drawing Sheets



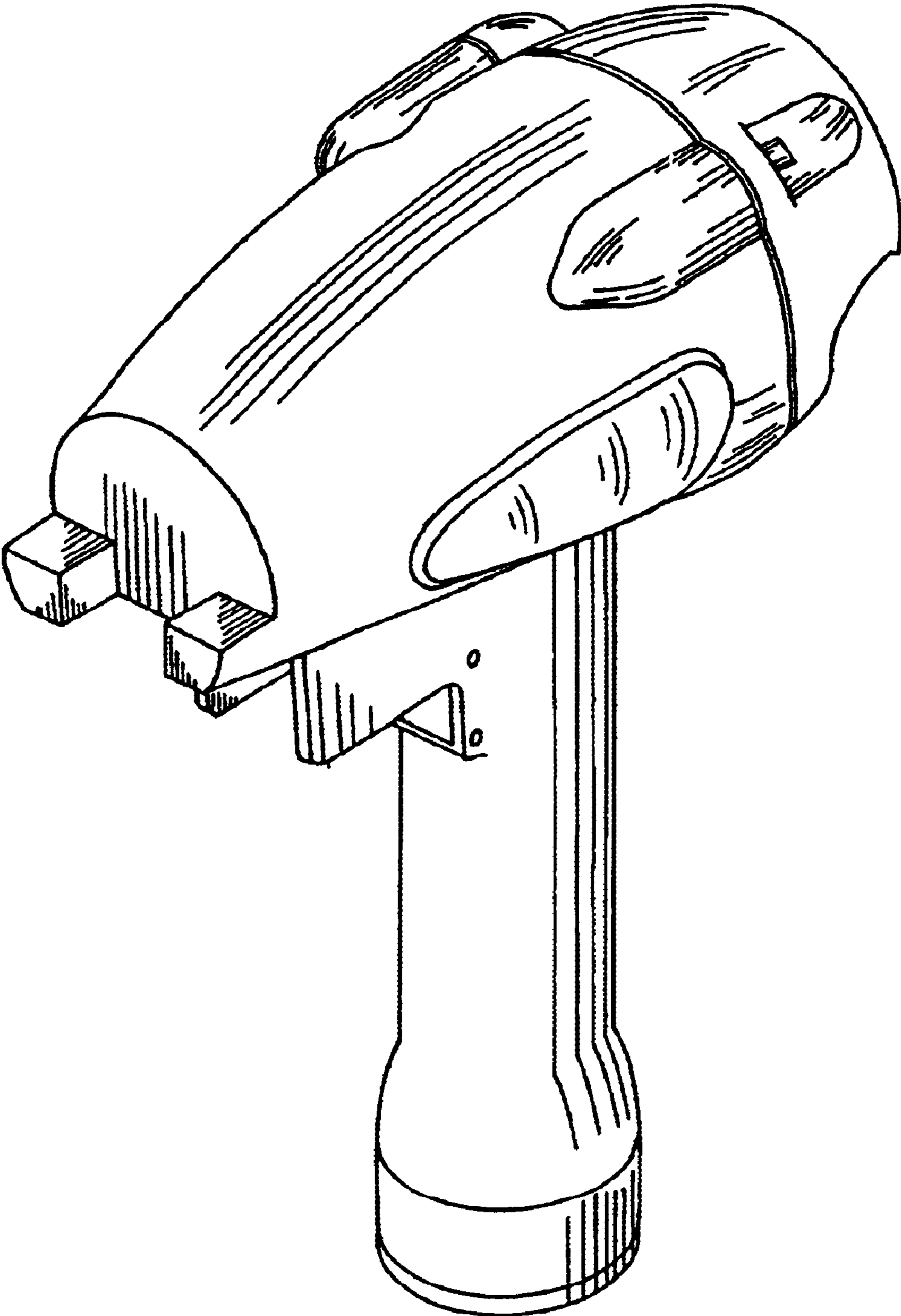


FIG. 1

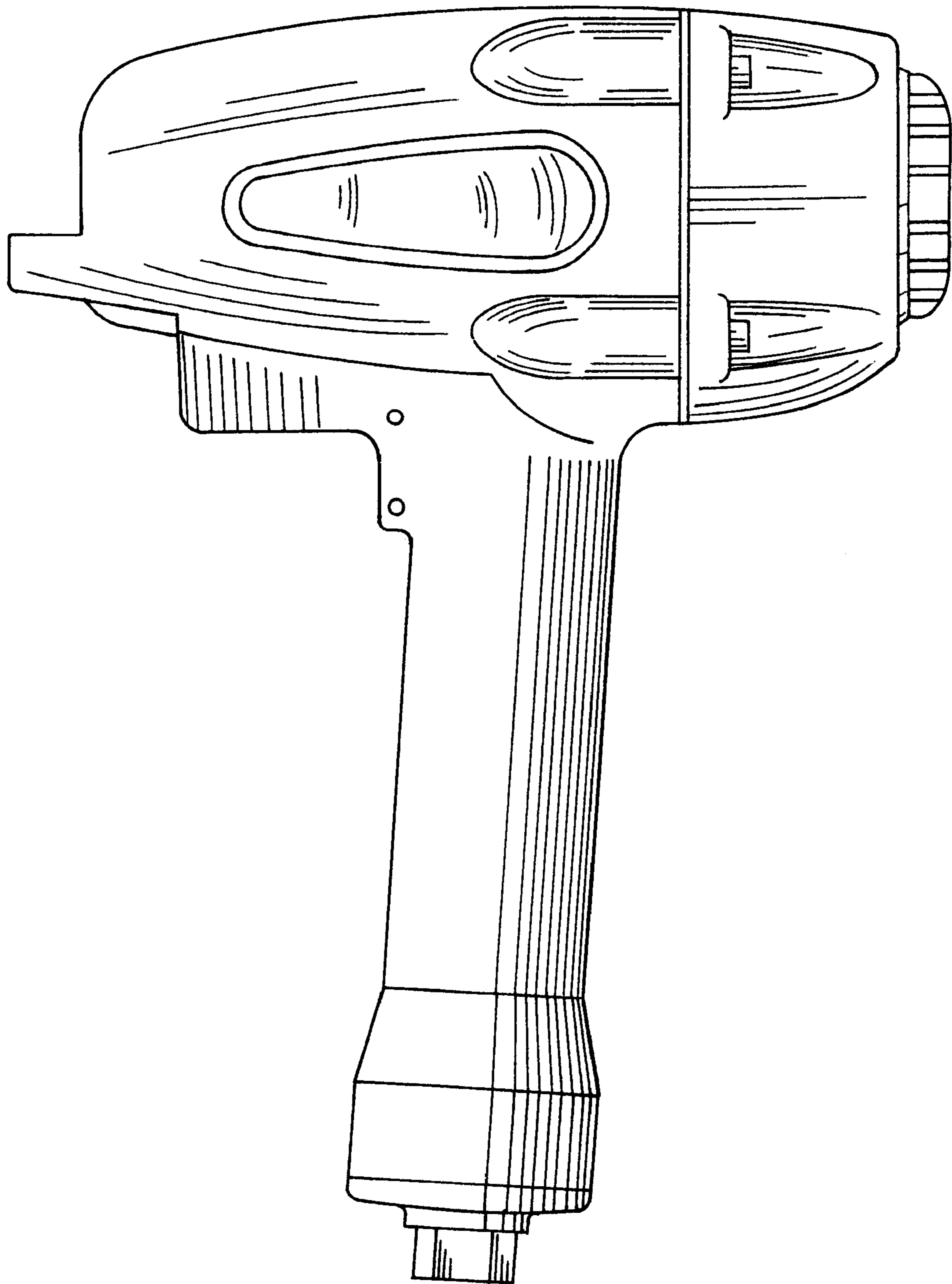


FIG. 2

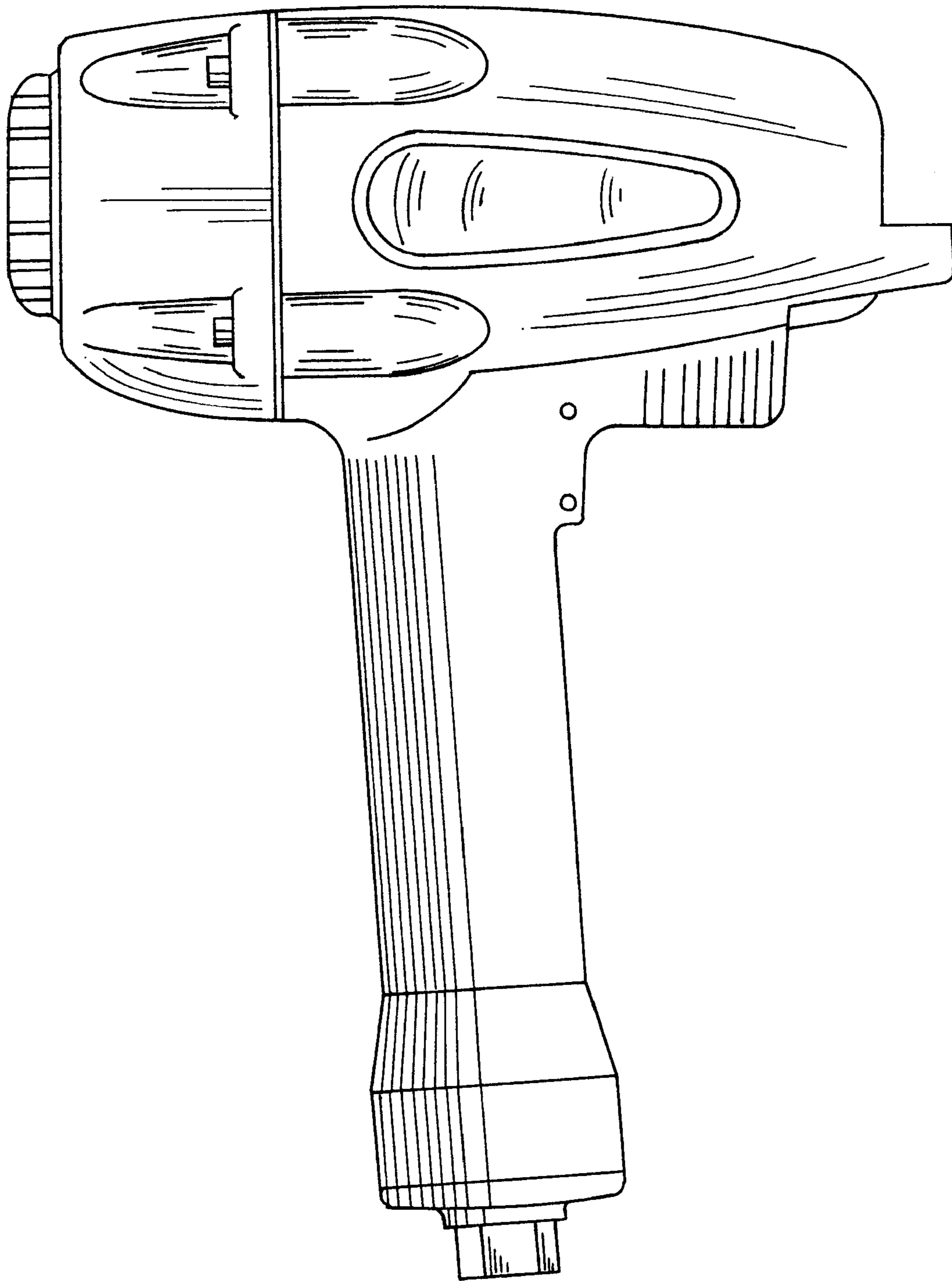


FIG. 3

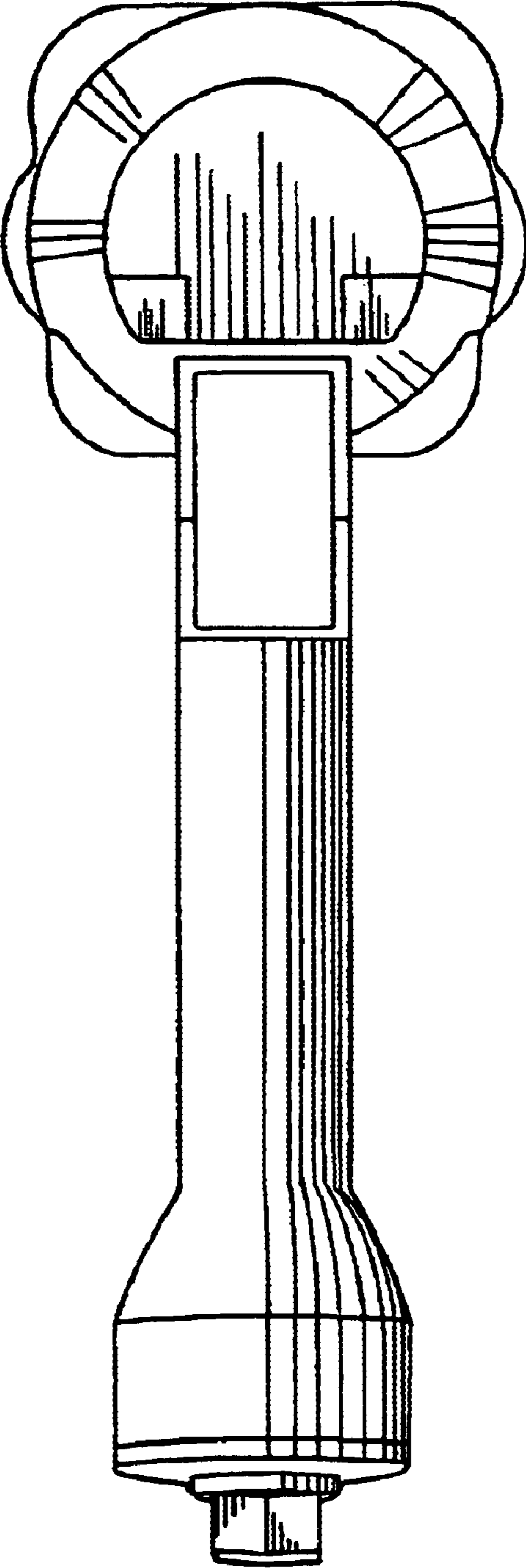


FIG. 4

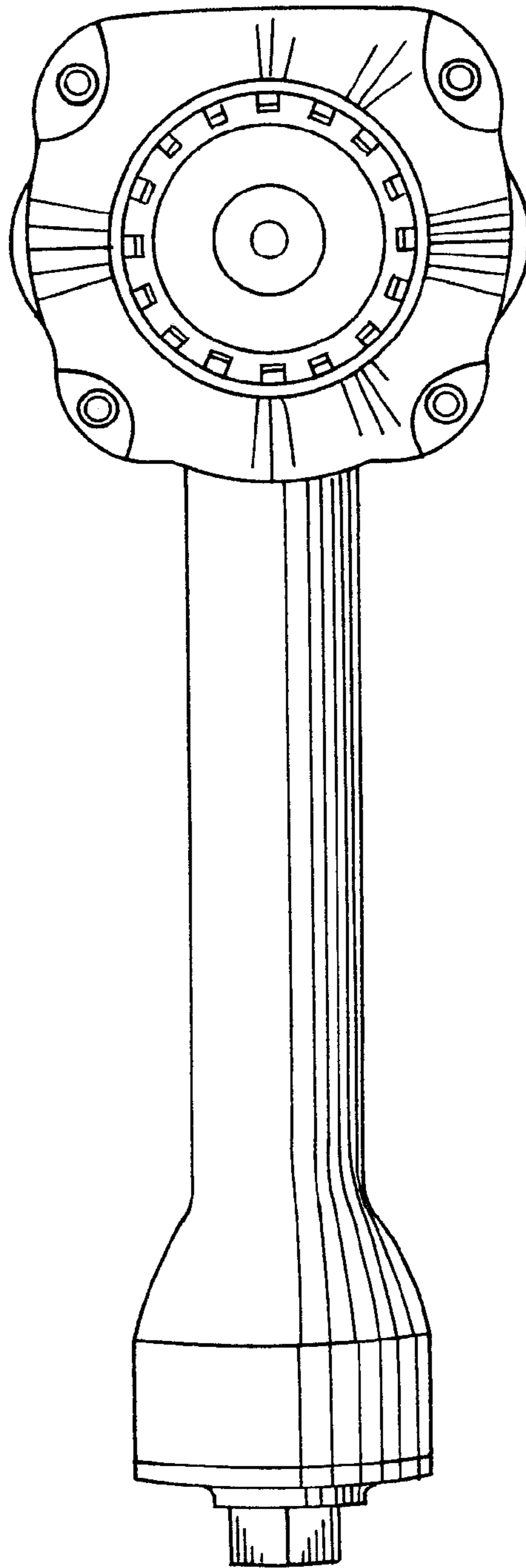


FIG. 5

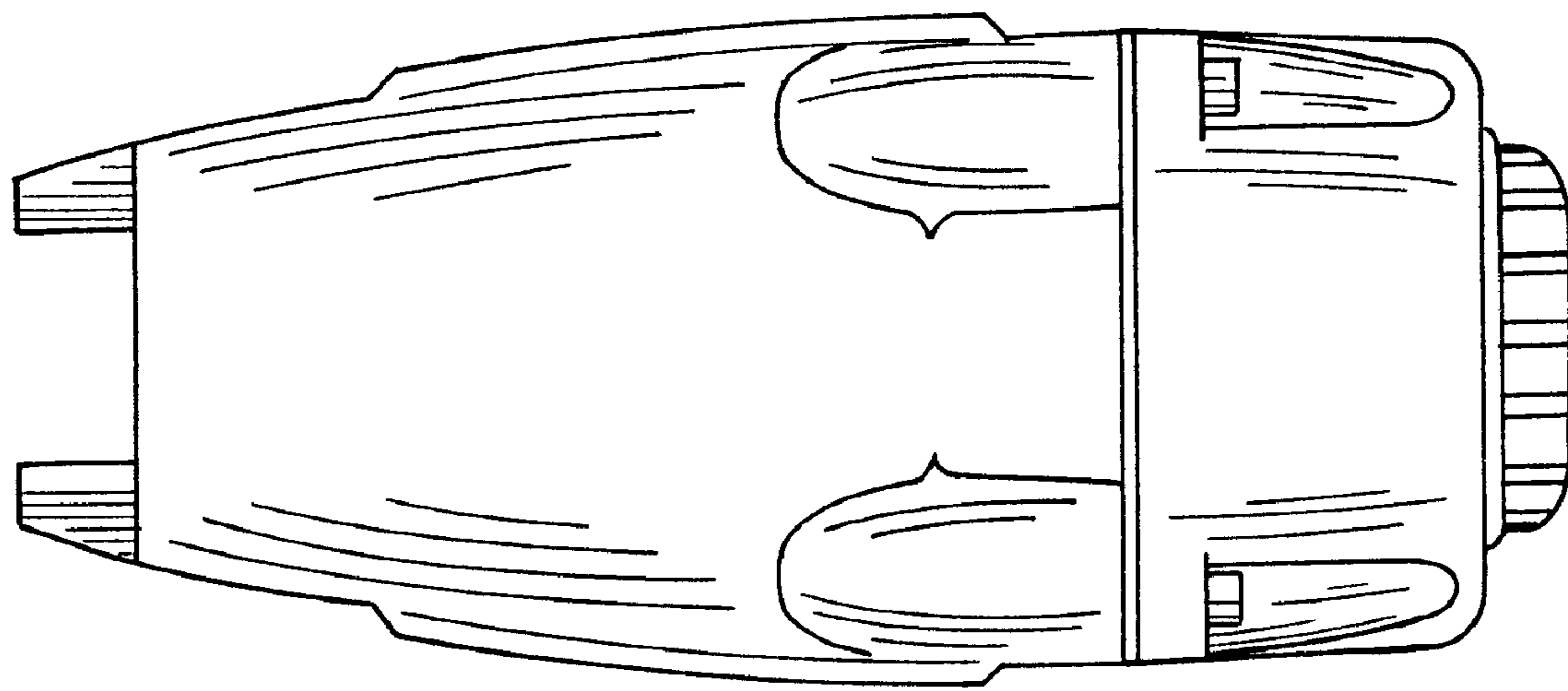


FIG. 6

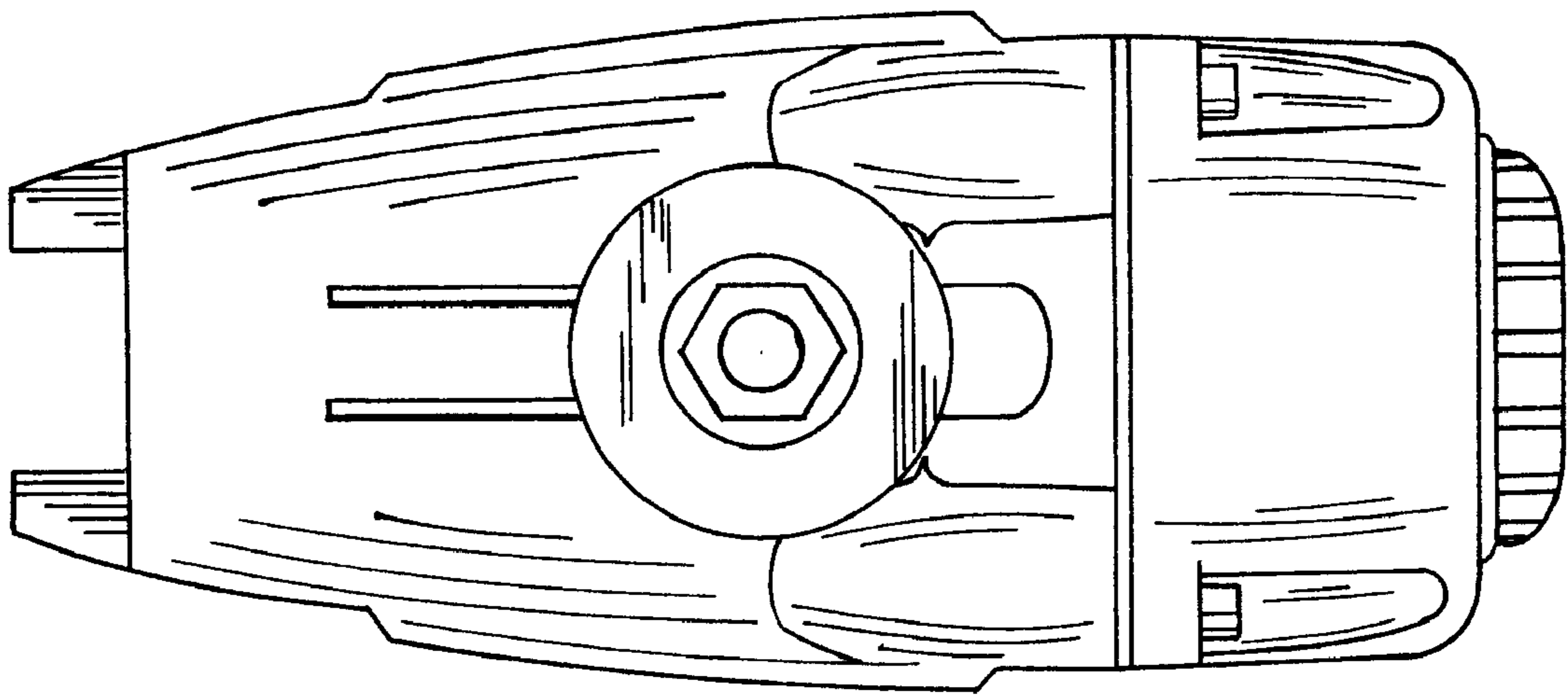


FIG. 7

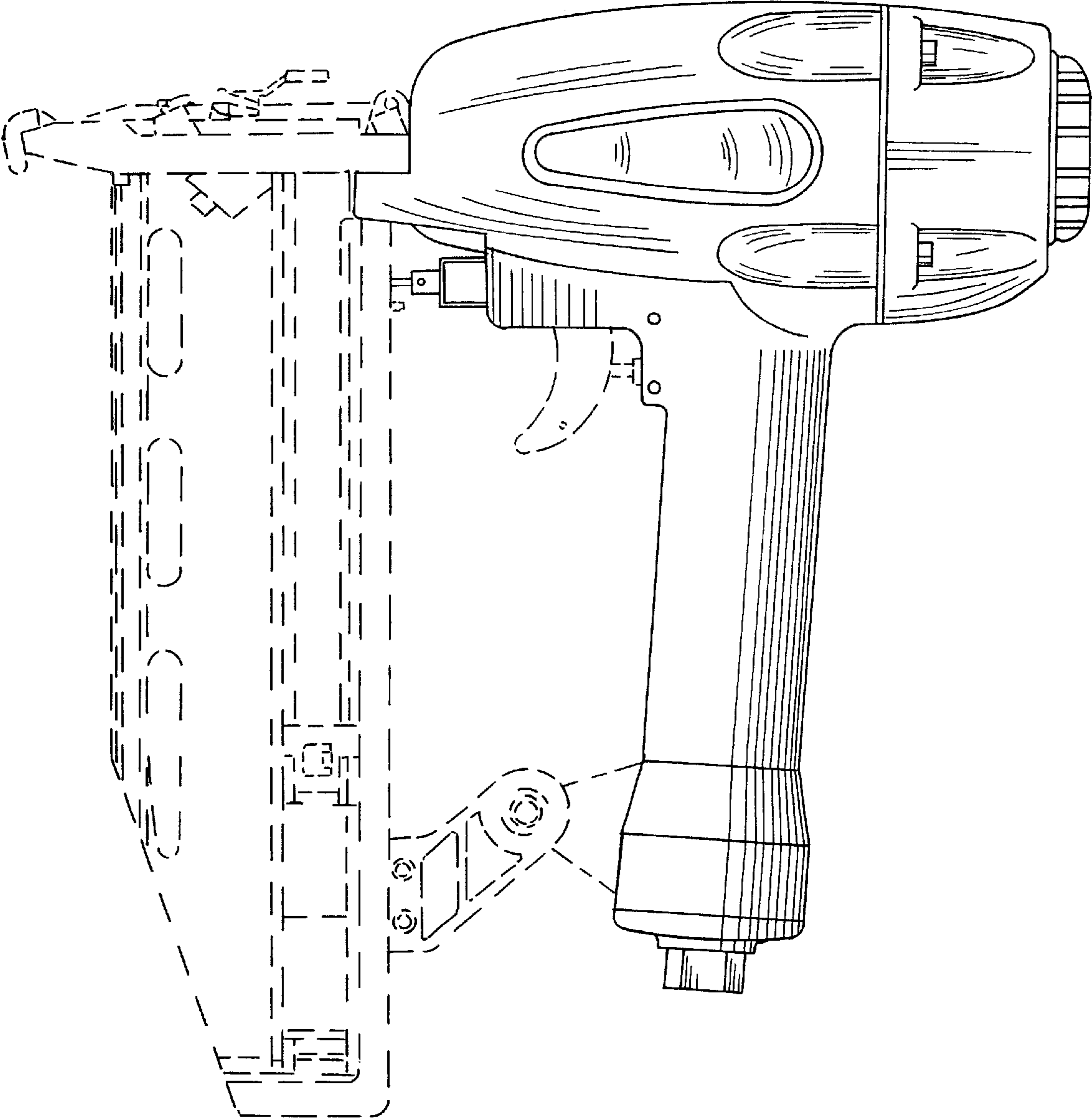


FIG. 8