

US00D493083S1

(12) **United States Design Patent**
Lammers et al.

(10) **Patent No.:** **US D493,083 S**
(45) **Date of Patent:** **** Jul. 20, 2004**

(54) **POWERED STAPLER**

(75) Inventors: **Anthony J. Lammers**, Gates Mills, OH (US); **John R. Nottingham**, Bratenahl, OH (US); **John W. Spirk**, Gates Mills, OH (US); **Jeffrey Scott Plantz**, Cleveland, OH (US); **Patrick W. Brown**, Mantua, OH (US)

(73) Assignee: **InnoDesk Home, Inc.**, Beachwood, OH (US)

(**) Term: **14 Years**

(21) Appl. No.: **29/190,775**

(22) Filed: **Sep. 26, 2003**

(51) **LOC (7) Cl.** **19-02**

(52) **U.S. Cl.** **D8/50; D19/72**

(58) **Field of Search** **D8/49, 50, 61; D19/72; 227/120, 127, 128, 131, 132, 134, 156**

(56) **References Cited**

U.S. PATENT DOCUMENTS

D118,380 S * 1/1940 Maynard D8/49
D158,401 S * 5/1950 Nyberg D8/50

4,014,493 A * 3/1977 Wolfe 227/156
D305,293 S * 1/1990 Trotman et al. D8/50
D339,043 S * 9/1993 Chi D8/50
D352,434 S * 11/1994 Chi D8/50
D431,167 S * 9/2000 Brown D8/50

* cited by examiner

Primary Examiner—Adir Aronovich

(74) *Attorney, Agent, or Firm*—DKW Law Group, LLC

(57) **CLAIM**

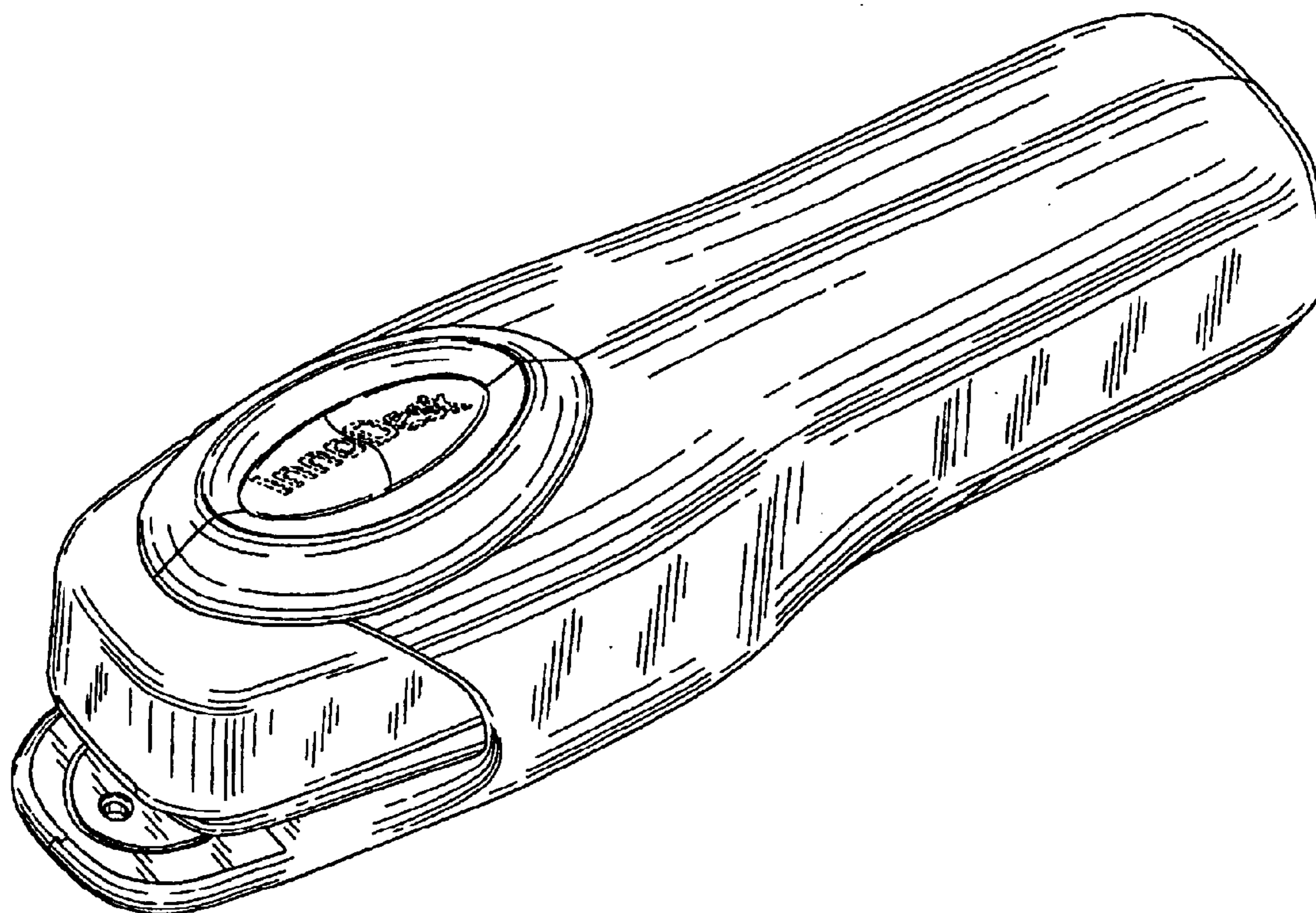
The ornamental design for a powered stapler, as shown and described.

DESCRIPTION

FIG. 1 is a perspective view of a powered stapler;
FIG. 2 is right side view of the powered stapler;
FIG. 3 is a right side view thereof;
FIG. 4 is a top plan view thereof;
FIG. 5 is a bottom plan view thereof;
FIG. 6 is a front elevational view thereof; and,
FIG. 7 is a rear elevational view thereof.

The design of the logo and lettering show in broken lines are for illustrative purposes only and form no part of the claimed design.

1 Claim, 2 Drawing Sheets



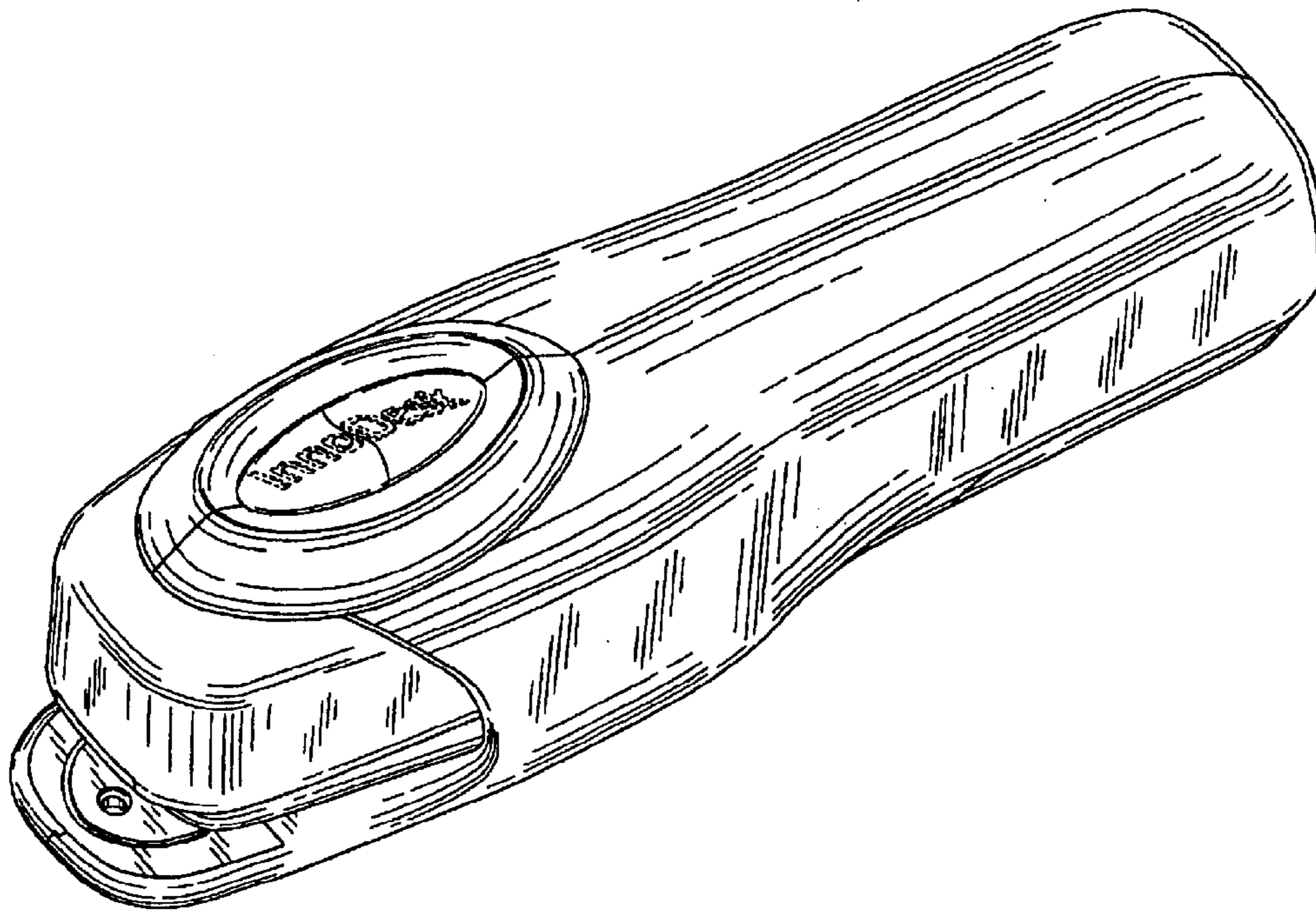


Fig. 1

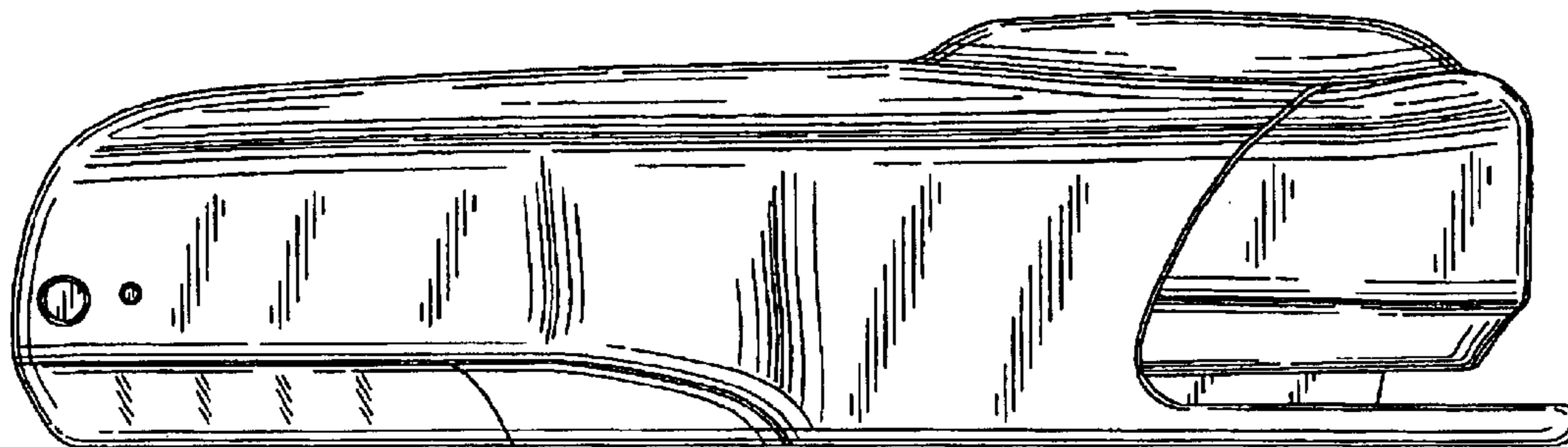


Fig. 2

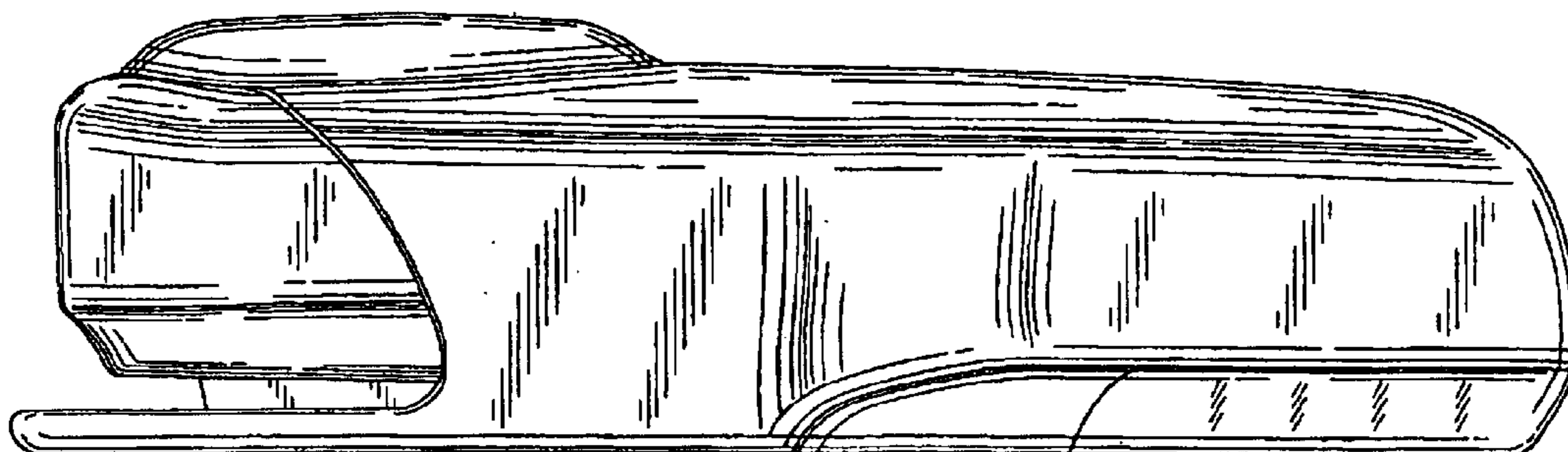


Fig. 3

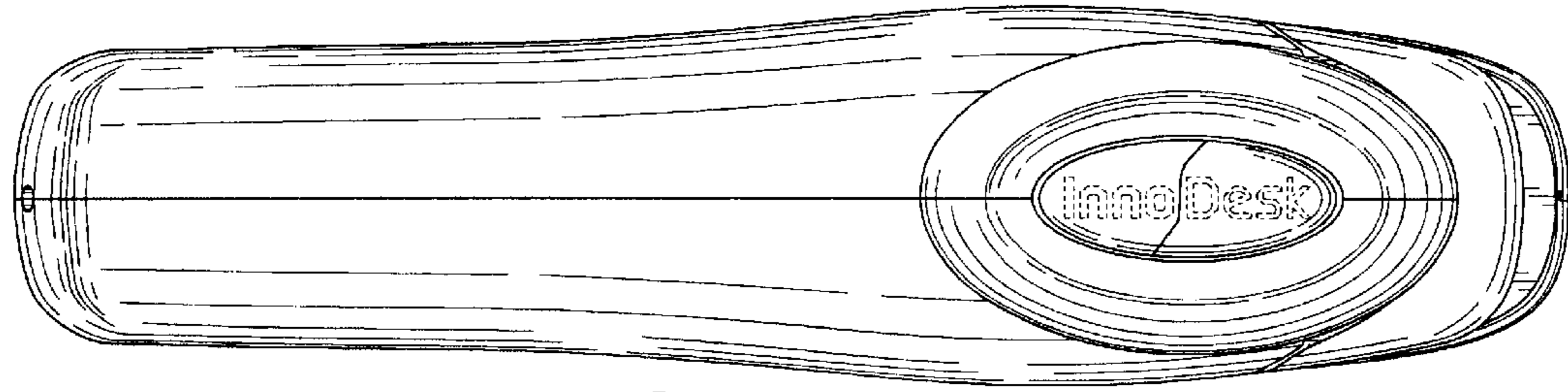


Fig. 4

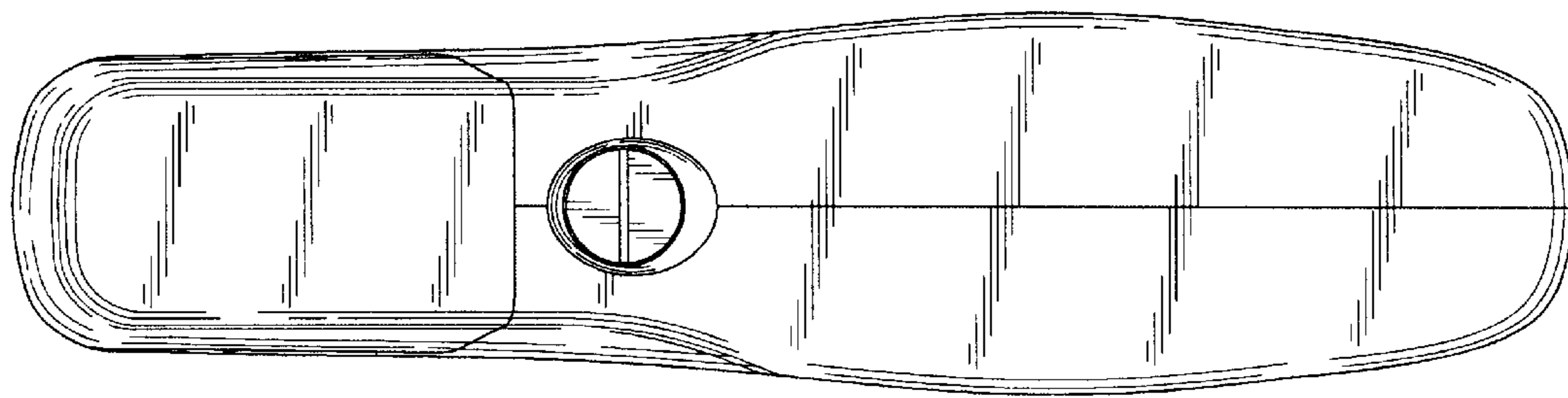


Fig. 5

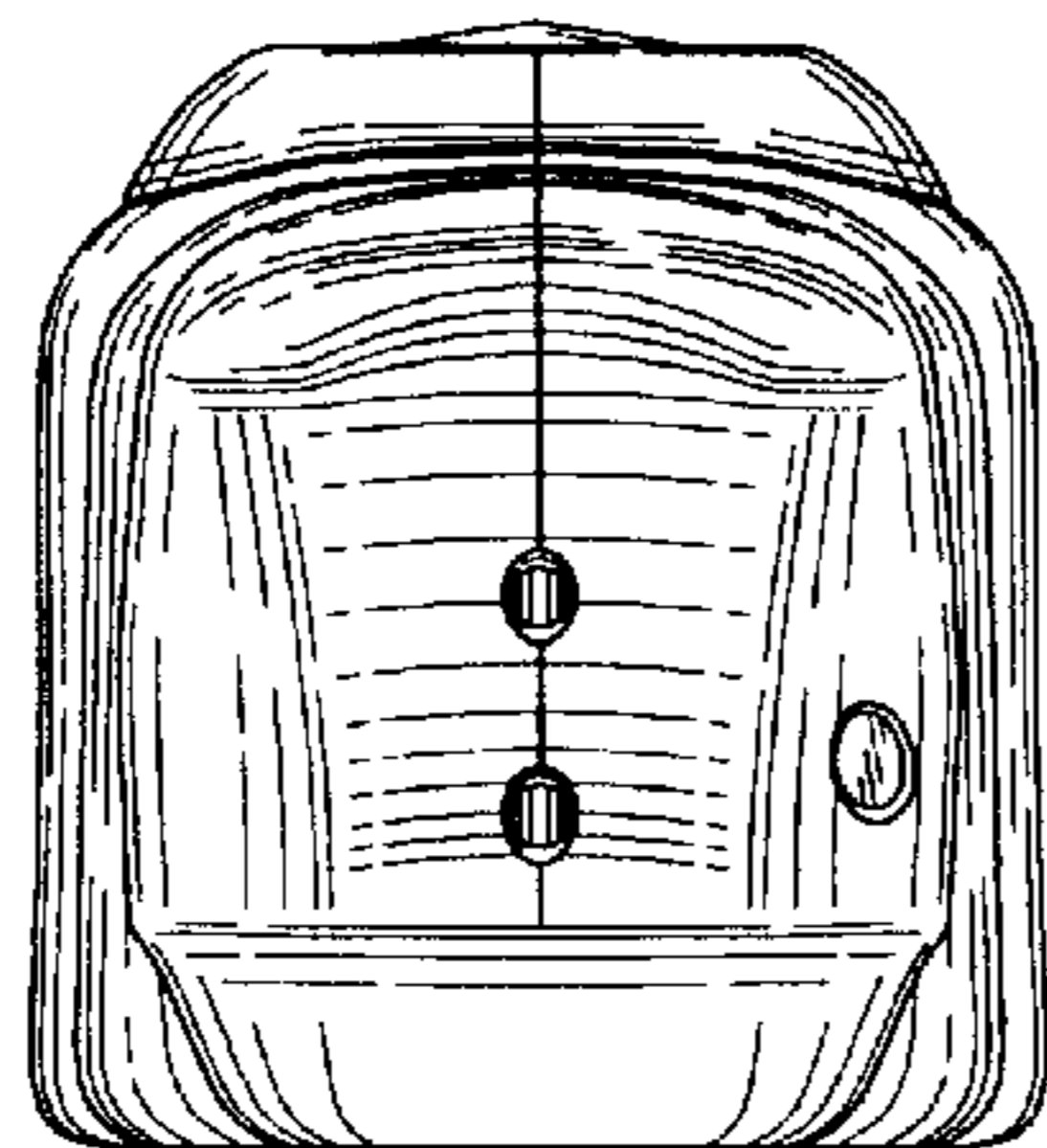


Fig. 6

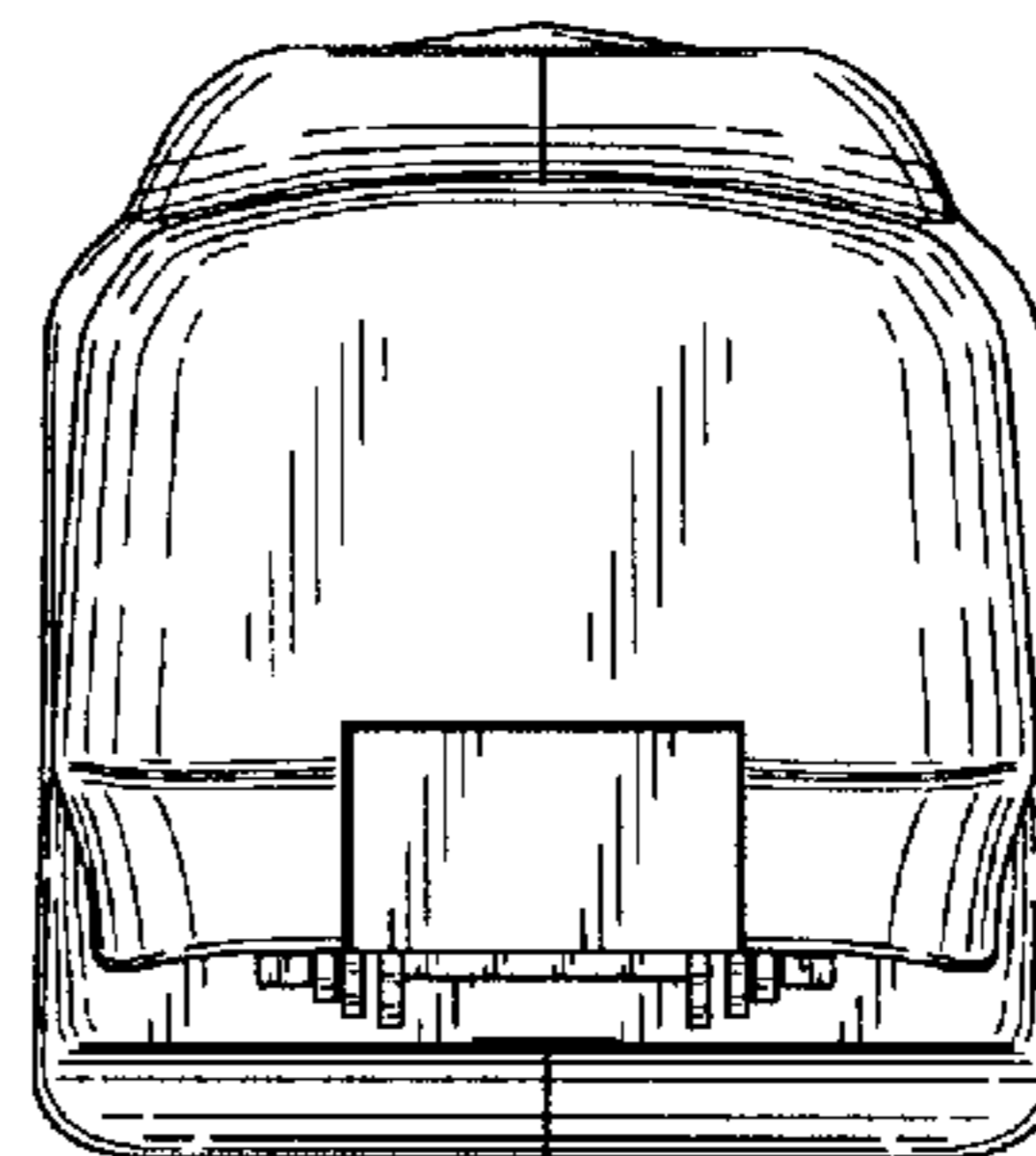


Fig. 7