

US00D493077S1

(12) **United States Design Patent**
Lamon

(10) **Patent No.:** **US D493,077 S**
(45) **Date of Patent:** **** Jul. 20, 2004**

(54) **PNEUMATIC HIDE REMOVAL DEVICE**

(76) **Inventor:** **George N. Lamon**, W219 Country Rd.
PP, Elmwood, WI (US) 54740-8007

(**) **Term:** **14 Years**

(21) **Appl. No.:** **29/177,858**

(22) **Filed:** **Mar. 18, 2003**

(51) **LOC (7) Cl.** **08-05**

(52) **U.S. Cl.** **D8/14**

(58) **Field of Search** D8/14, 31; 81/15.7

(56) **References Cited**

U.S. PATENT DOCUMENTS

3,235,951	A	*	2/1966	Sanders	29/213.1
3,945,273	A	*	3/1976	Wolk	81/15.7
4,763,546	A	*	8/1988	Yeh et al.	81/15.7
5,347,697	A	*	9/1994	Stallings	29/280
6,170,361	B1	*	1/2001	Yates	81/15.7

* cited by examiner

Primary Examiner—Holly Baynham

(74) *Attorney, Agent, or Firm*—Merchant & Gould P.C.

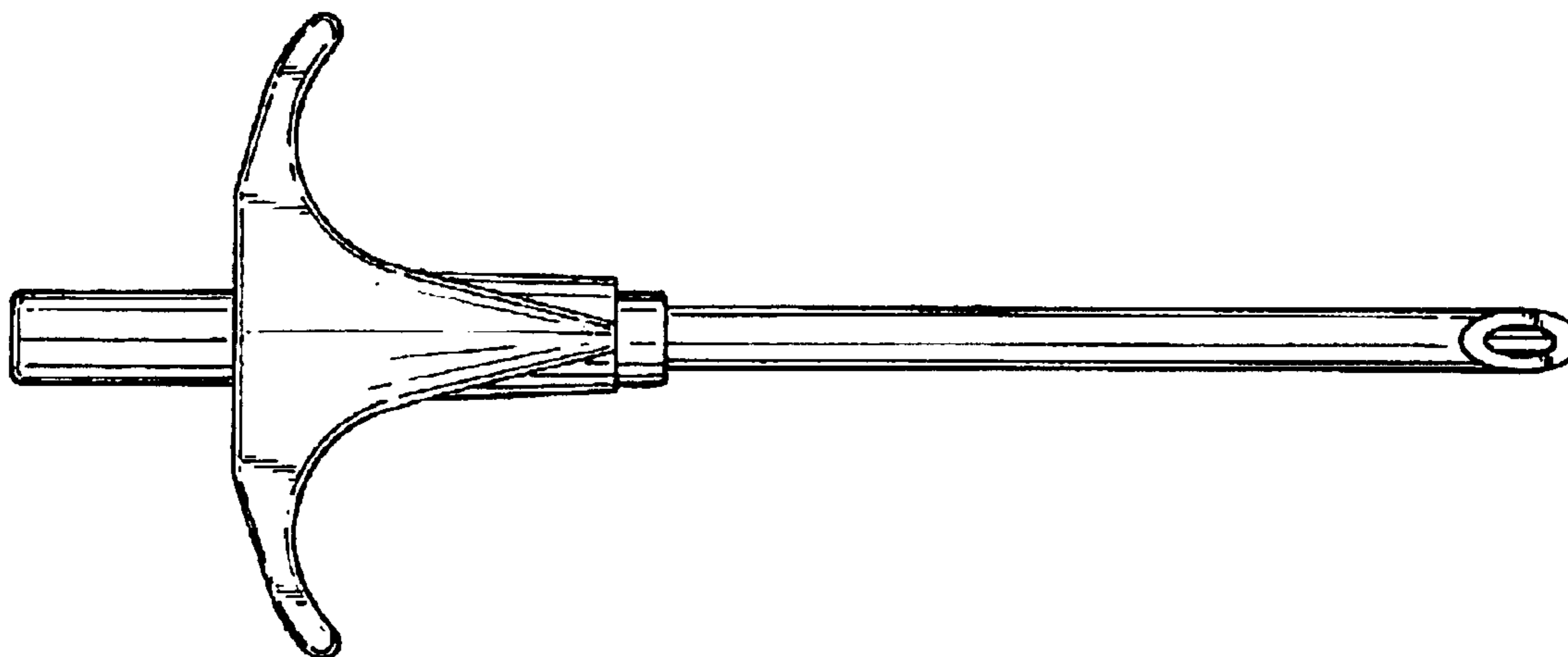
(57) **CLAIM**

The ornamental design for pneumatic hide removal device, as shown and described.

DESCRIPTION

FIG. 1 is a top view of a one embodiment.
FIG. 2 is a side view of the embodiment of FIG. 1.
FIG. 3 is a bottom view of the embodiment of FIG. 1.
FIG. 4 is a first end view of the embodiment of FIG. 1.
FIG. 5 is a second end view of the embodiment of FIG. 1.
FIG. 6 is a top view of a second embodiment.
FIG. 7 is a side view of the embodiment of FIG. 6; and,
FIG. 8 is an end view of the embodiment of FIG. 6.
The broken line showing of removal prong is for illustrative purposes only and forms no part of the claimed design.

1 Claim, 2 Drawing Sheets



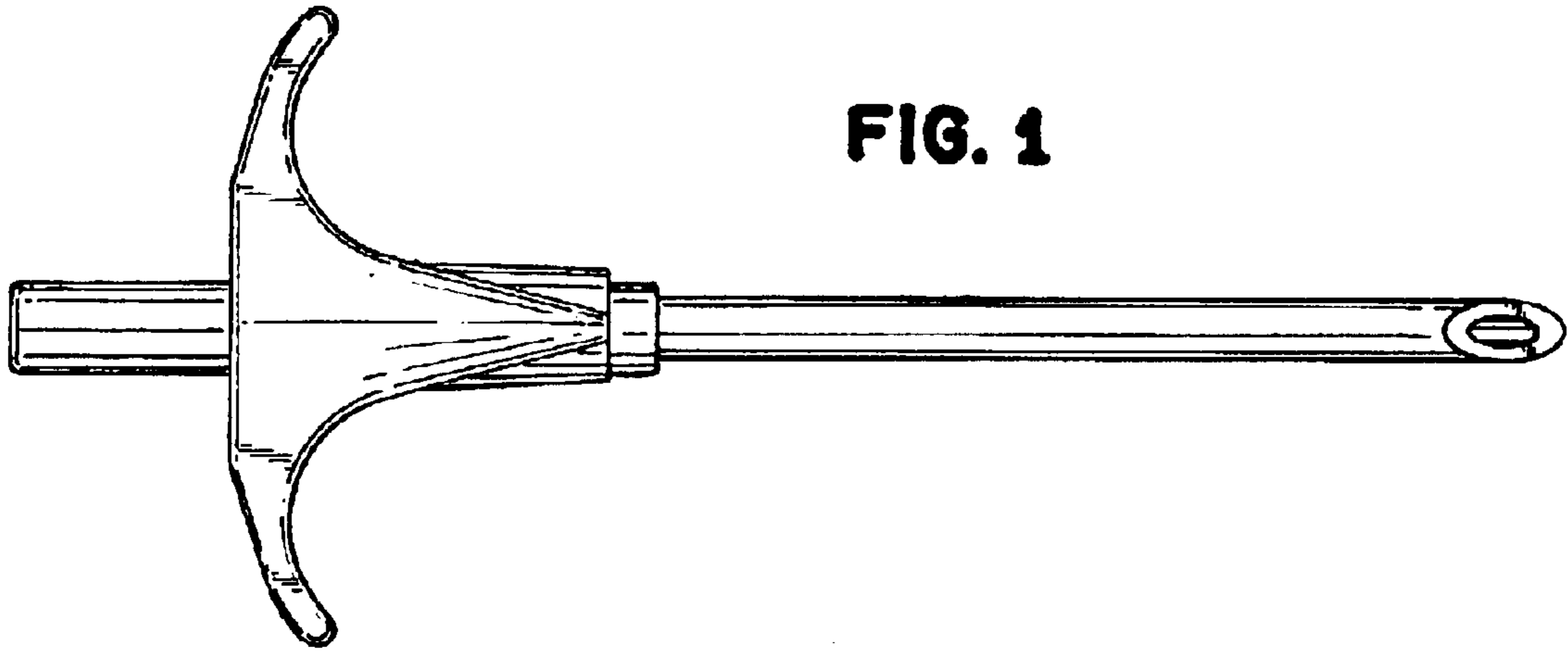


FIG. 1

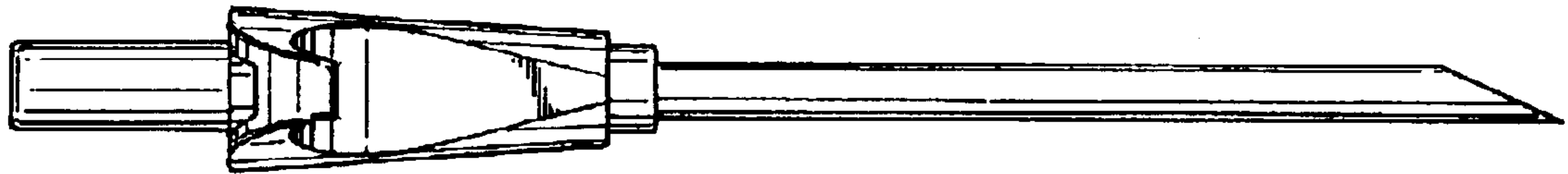


FIG. 2

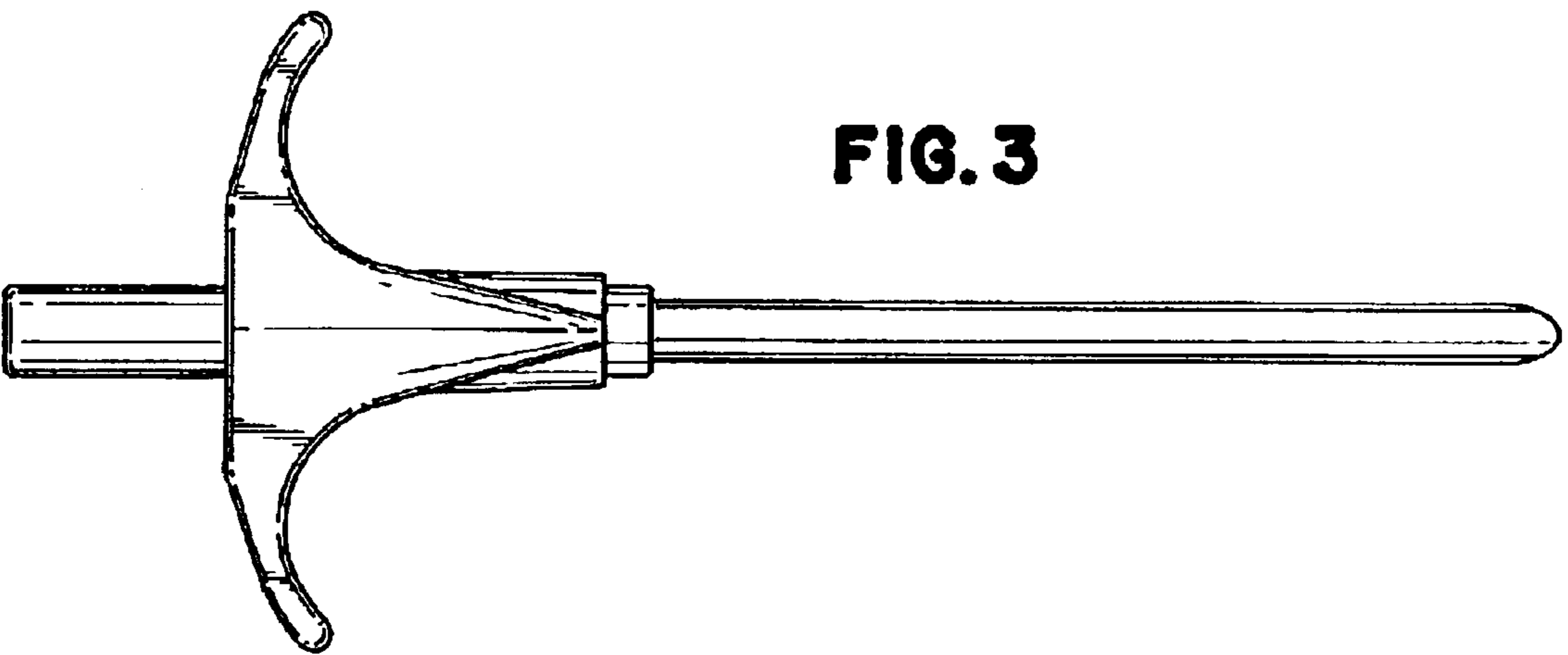


FIG. 3

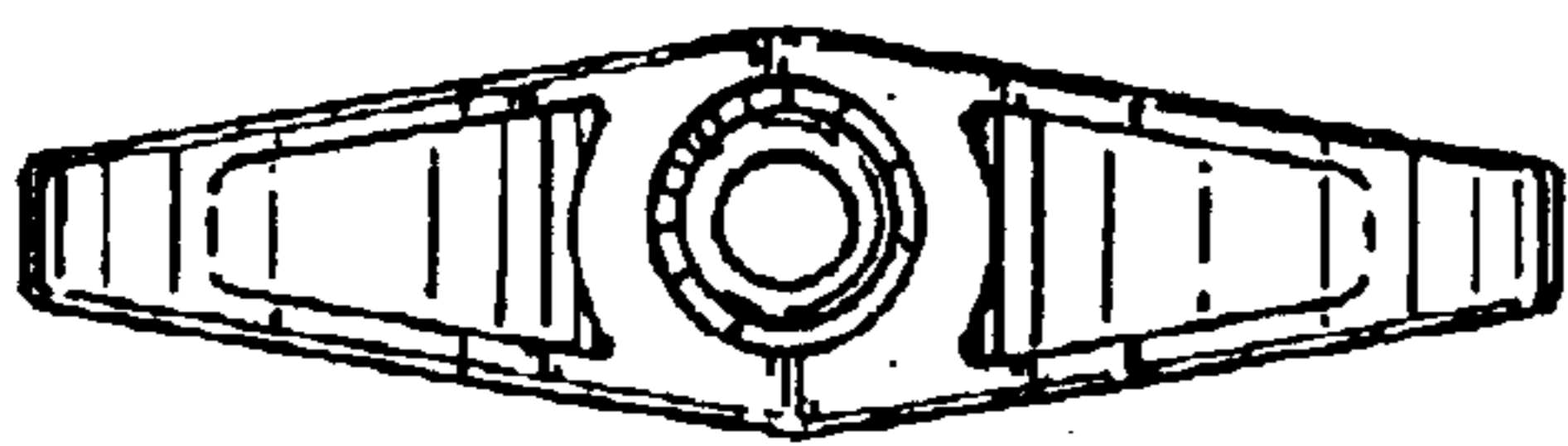


FIG. 4

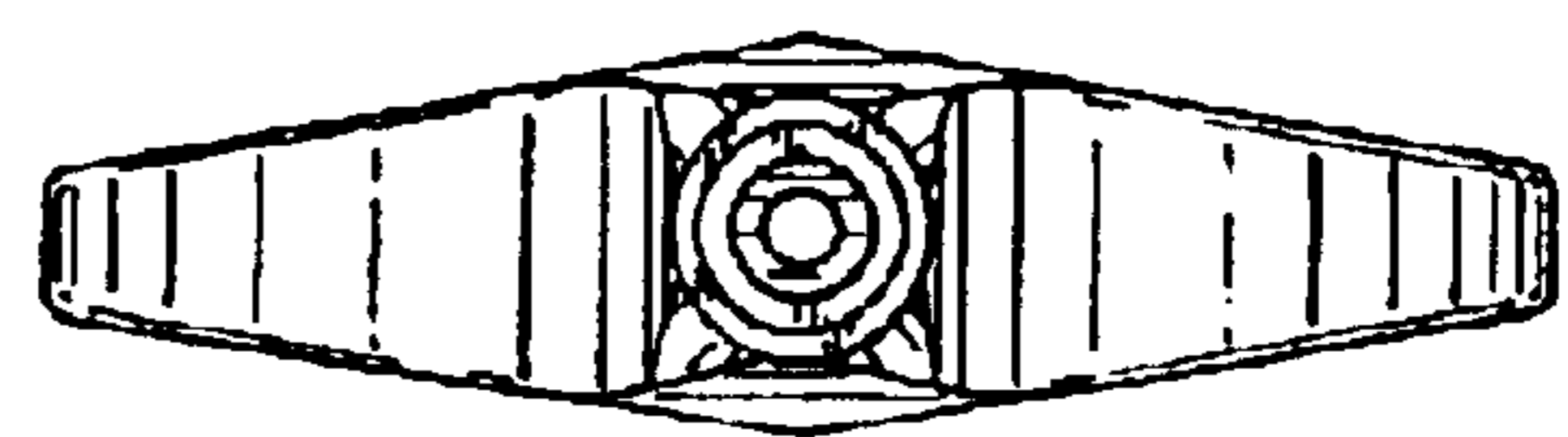


FIG. 5

FIG. 6

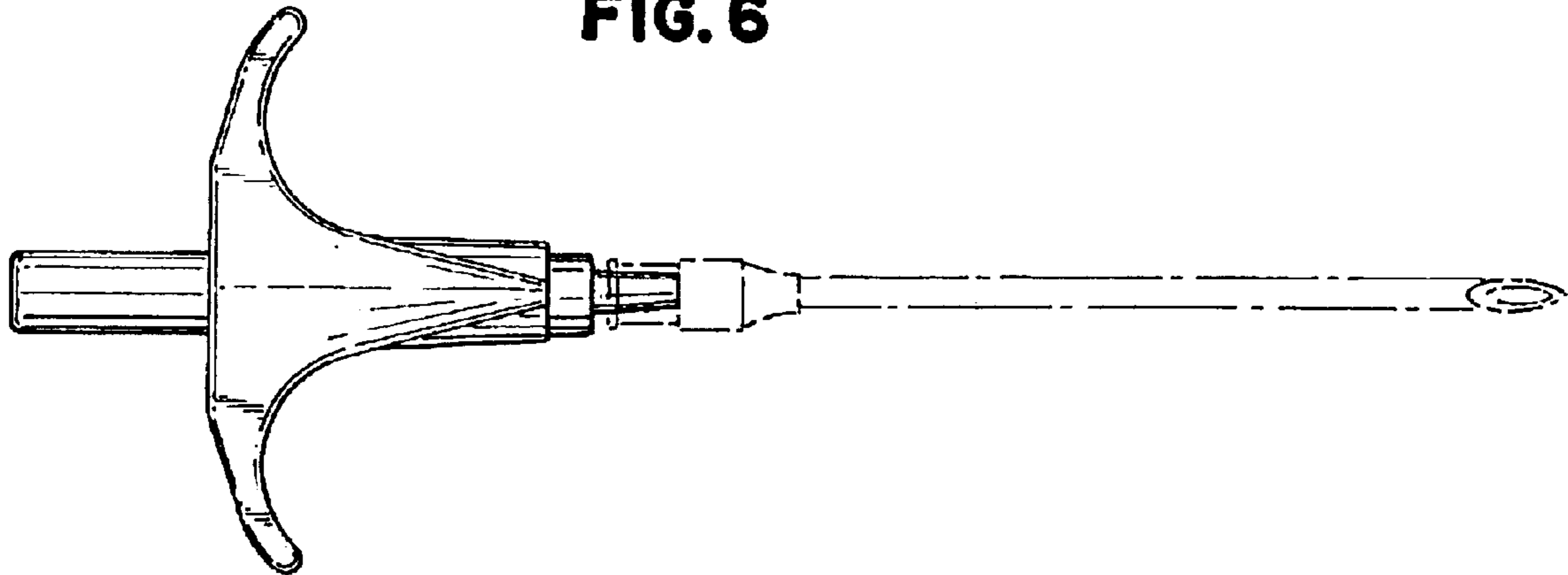


FIG. 7

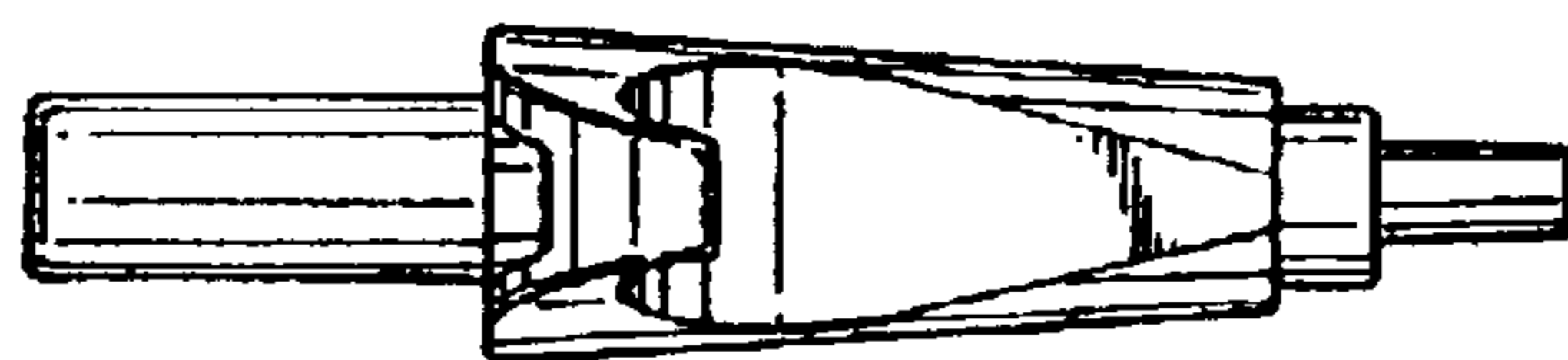


FIG. 8

