

US00D493076S1

(12) **United States Design Patent**
Garrett et al.

(10) **Patent No.: US D493,076 S**
(45) **Date of Patent: ** Jul. 20, 2004**

(54) **PLANT WATERING DEVICE WITH ANTI-FLOW STOPPAGE TILT THEREFOR**

(76) Inventors: **Donald Lee Garrett**, 1322 Scenic Dr.,
Clarkesville, IN (US) 47129; **Steven E. Nelson**, P.O. Box 872, Brooks, KY
(US) 40109

(**) Term: **14 Years**

(21) Appl. No.: **29/169,038**

(22) Filed: **Oct. 15, 2002**

(51) **LOC (7) Cl. 08-01**

(52) **U.S. Cl. D8/1**

(58) **Field of Search D8/1; 47/79-81,**
47/66.1, 65.5, 48.5

(56) **References Cited**

U.S. PATENT DOCUMENTS

| | | | | | | |
|-----------|----|---|--------|---------------|-------|---------|
| 6,182,394 | B1 | * | 2/2001 | Bassler | | 47/65.5 |
| 6,219,969 | B1 | * | 4/2001 | Dion | | 47/79 |
| 6,345,470 | B1 | * | 2/2002 | Slaght et al. | | 47/79 |
| 6,418,663 | B1 | * | 7/2002 | Smith | | 47/79 |

* cited by examiner

Primary Examiner—Holly Baynham

(57) **CLAIM**

The ornamental design for a plant watering device with anti-flow stoppage tilt therefor, as shown and described.

DESCRIPTION

FIG. 1 is a perspective view of a plant watering device with anti-flow stoppage tilt therefor;

FIG. 2 is a top perspective view thereof;

FIG. 3 is a bottom elevational view thereof;

FIG. 4 is a rear elevational view thereof;

FIG. 5 is a side elevational view thereof;

FIG. 6 is a front elevational view thereof;

FIG. 7. is a cross-sectional view of FIG. 2 taken along line 1a—1a showing the anti-flow stoppage tilt in a resting condition;

FIG. 8 is the cross-sectional view in FIG. 7 showing the anti-flow stoppage tilt in a condition of use;

FIG. 9 is another top perspective view showing a modified alternate plan view showing my new design;

FIG. 10 is a bottom plan view of FIG. 10 thereof;

FIG. 11 is a rear plan view thereof;

FIG. 12 is a side plan view thereof; and,

FIG. 13 is a front plan view thereof.

The broken line shown in FIG. 1 is for illustrative purposes only and forms no part of the claimed design.

The opposing side view shown in FIGS. 5 and 12 are mirror images thereof.

1 Claim, 6 Drawing Sheets

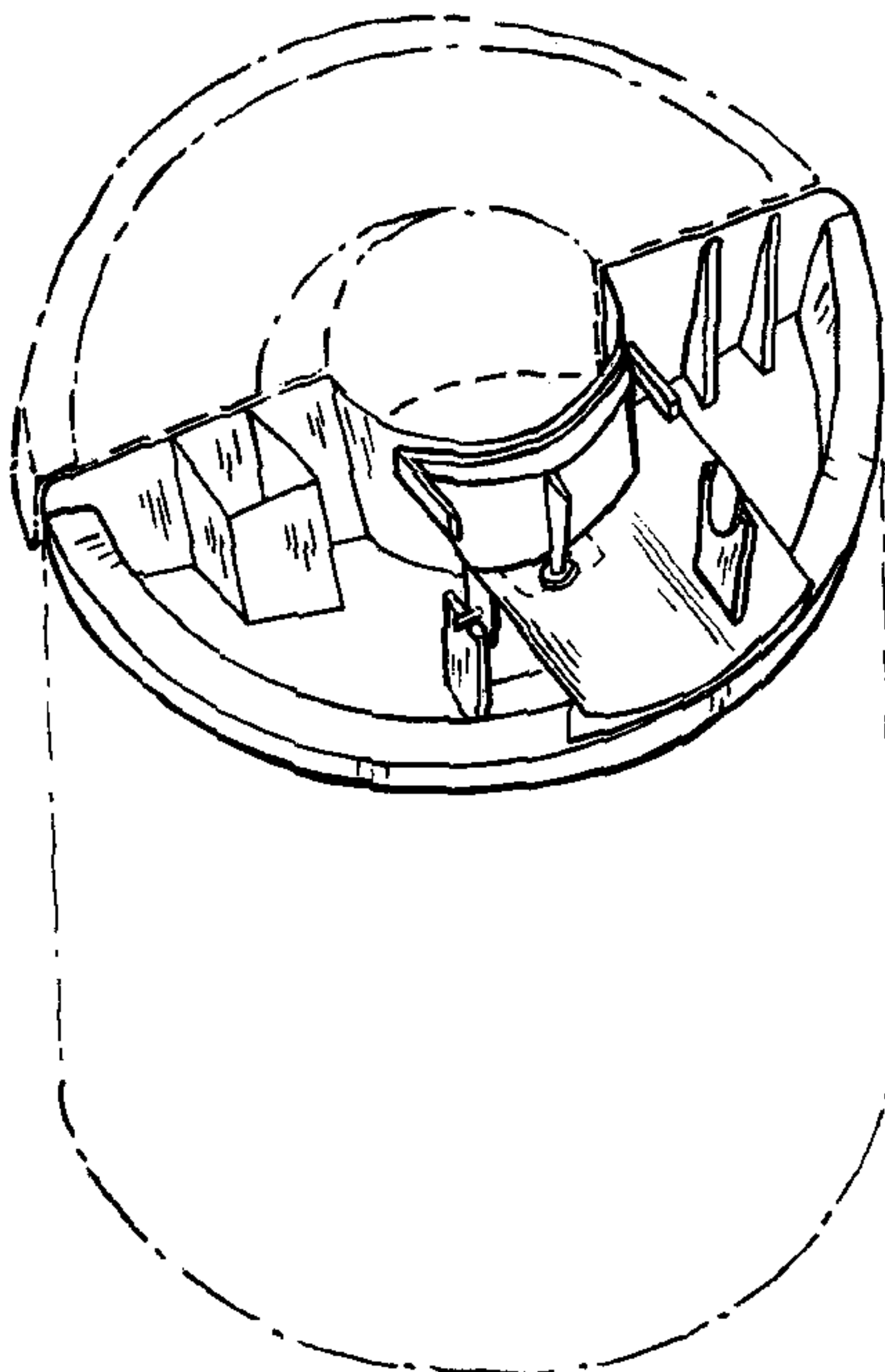
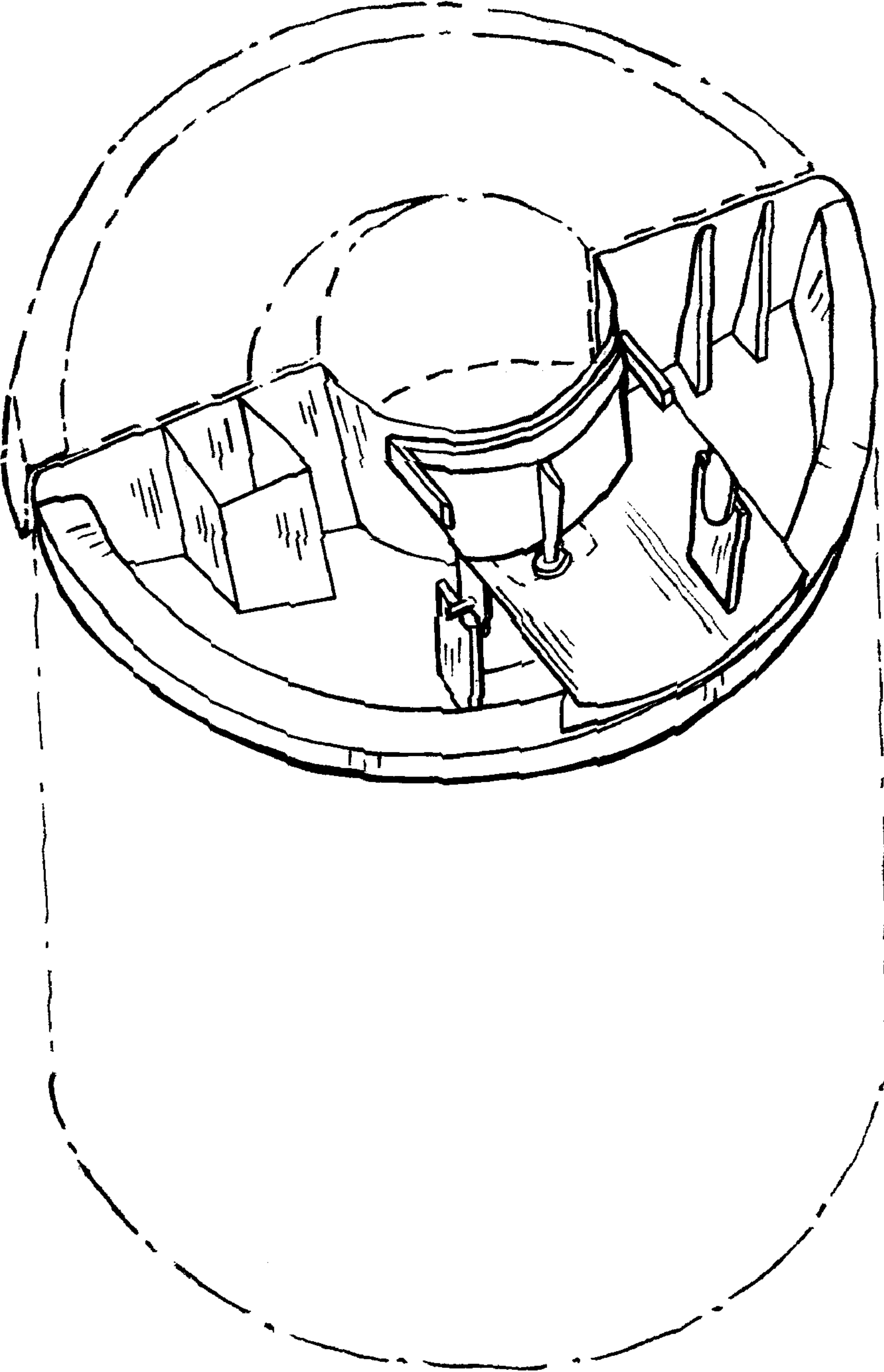


FIG. 1



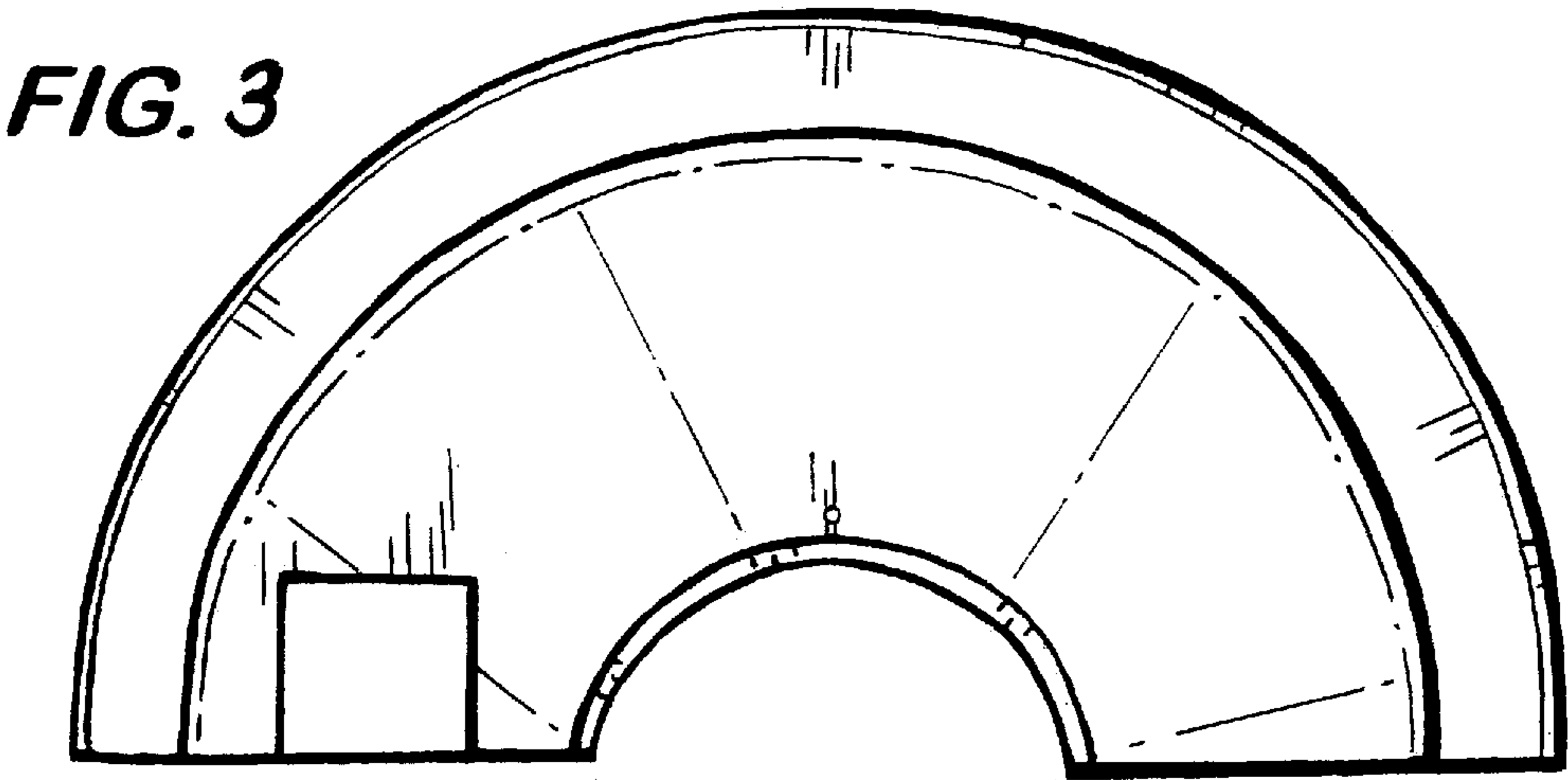
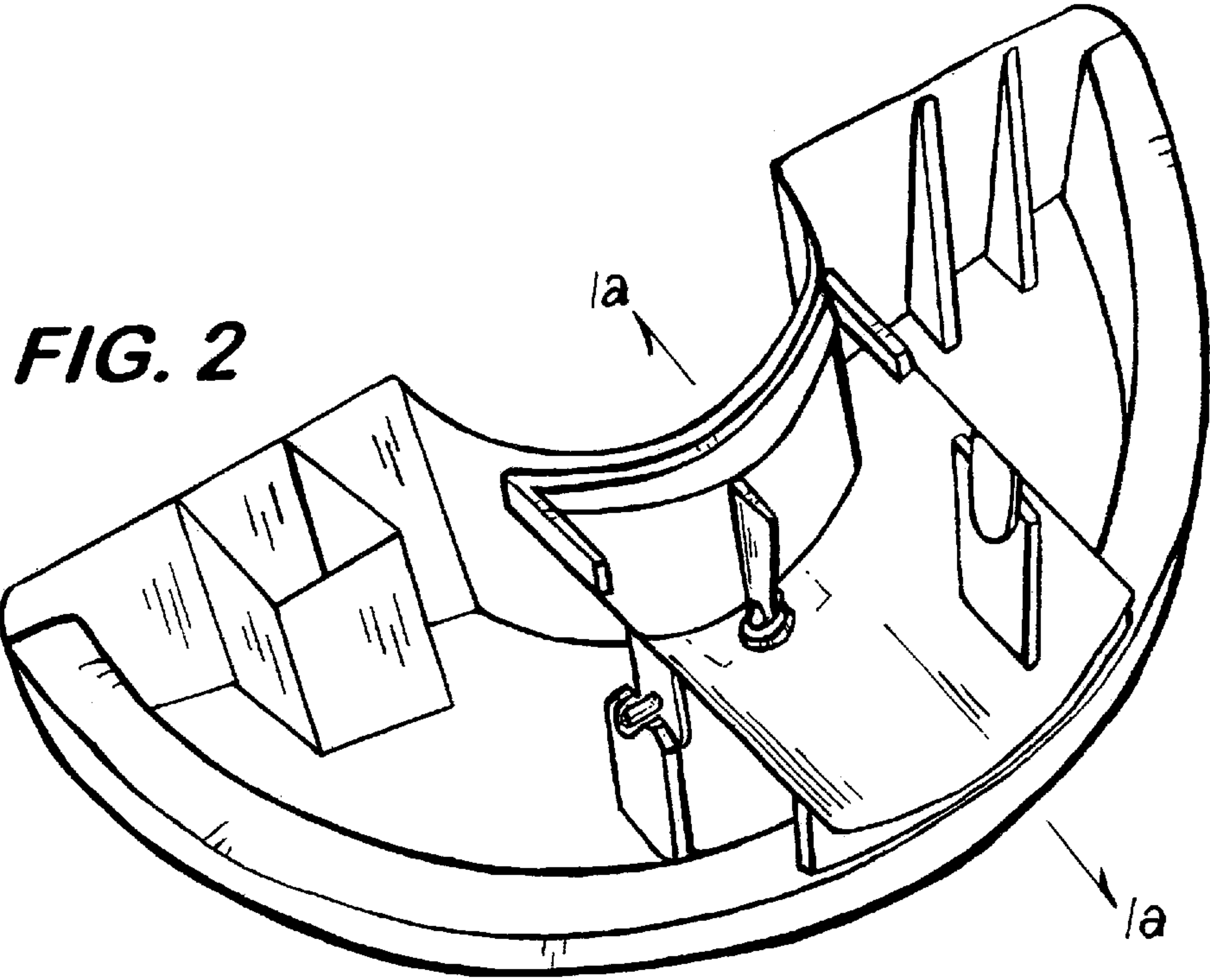


FIG. 4

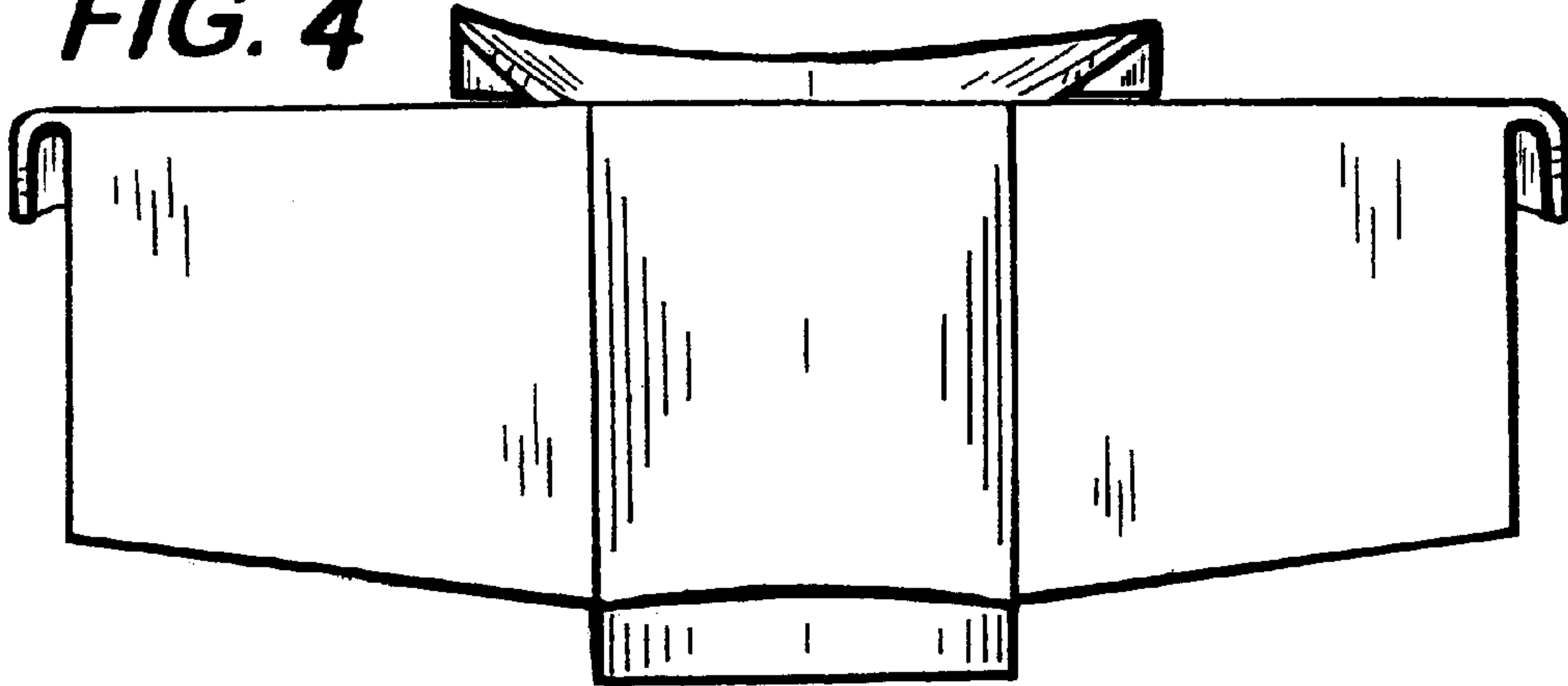


FIG. 5

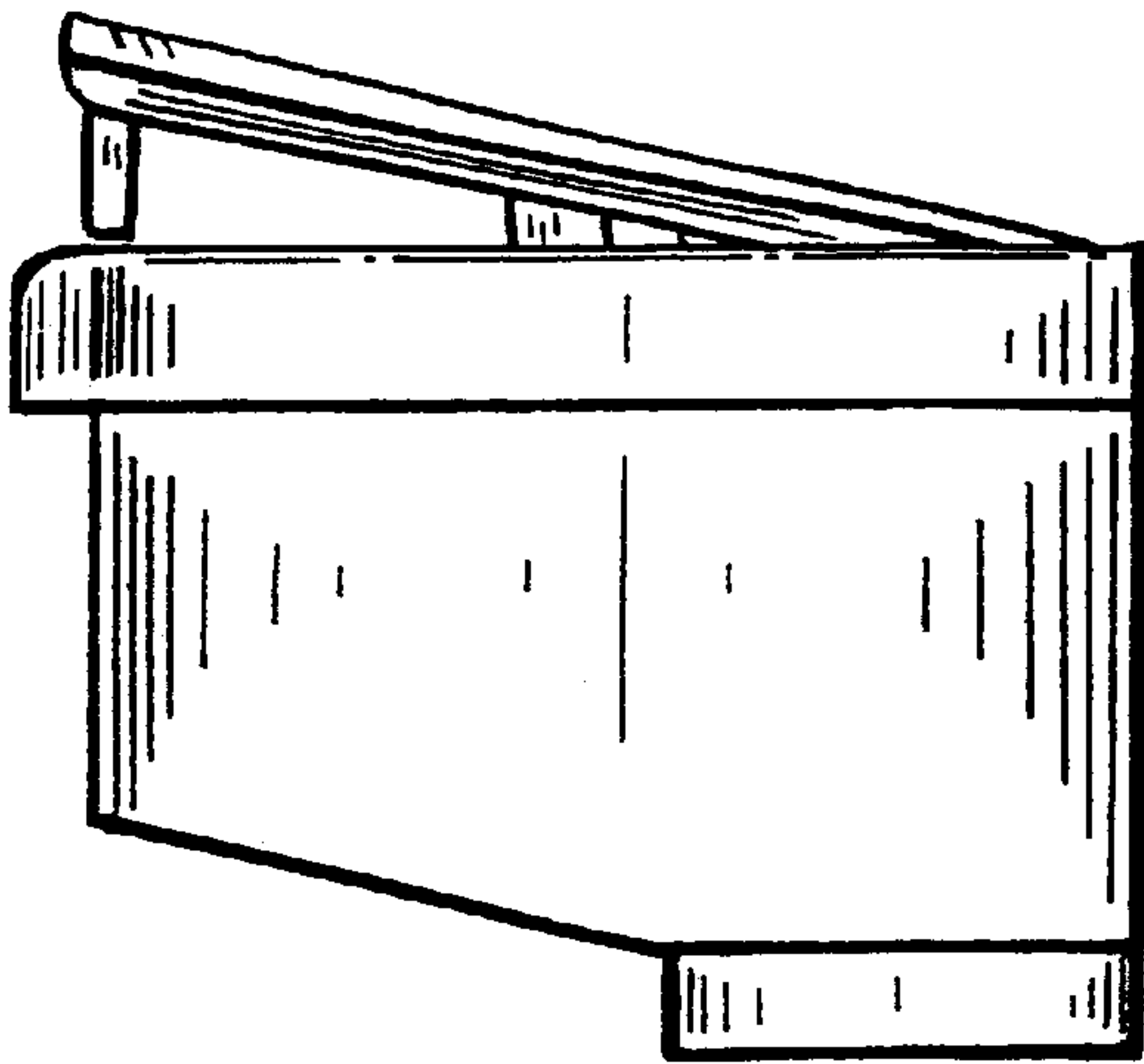


FIG. 6

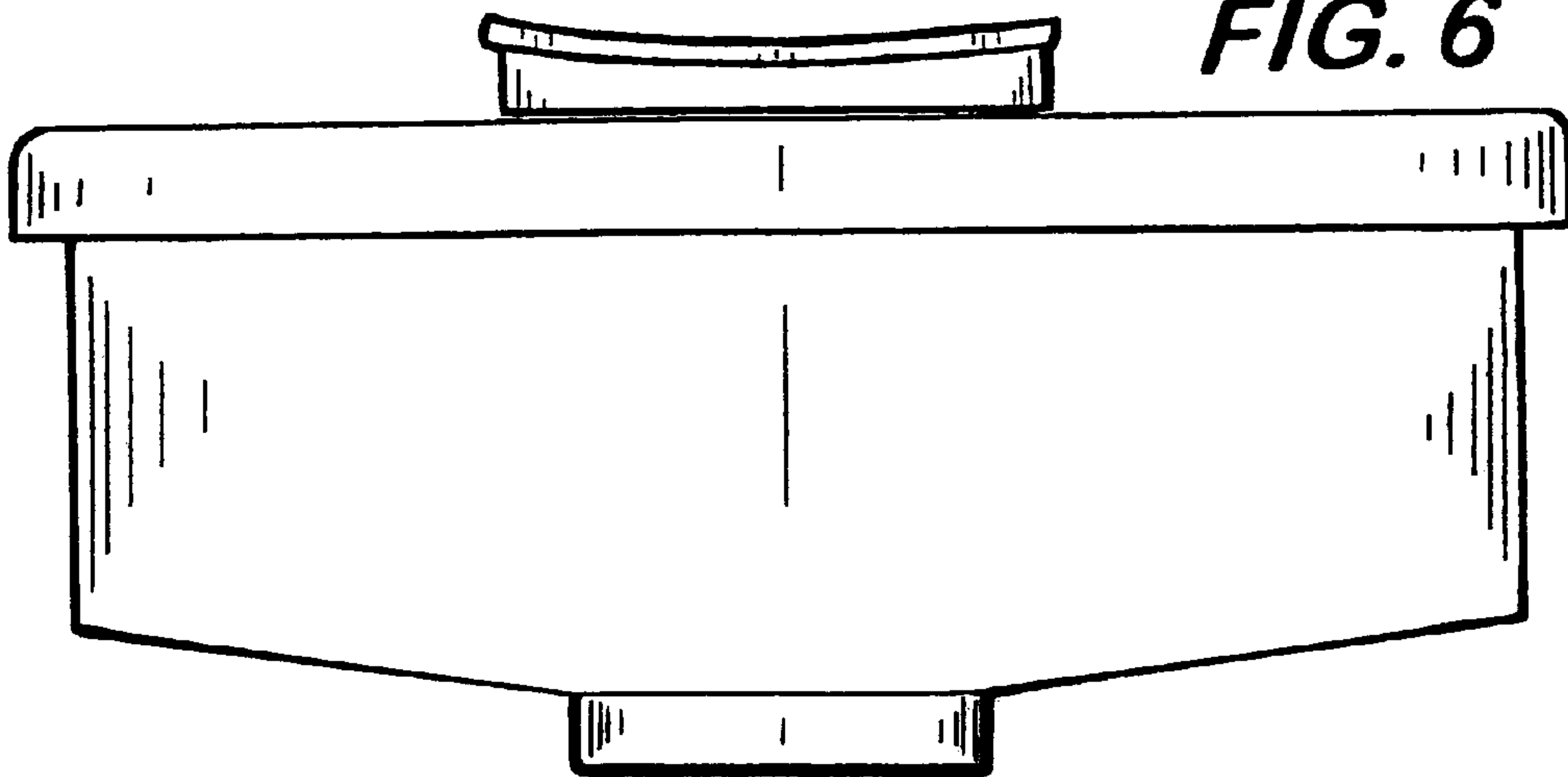


FIG. 7

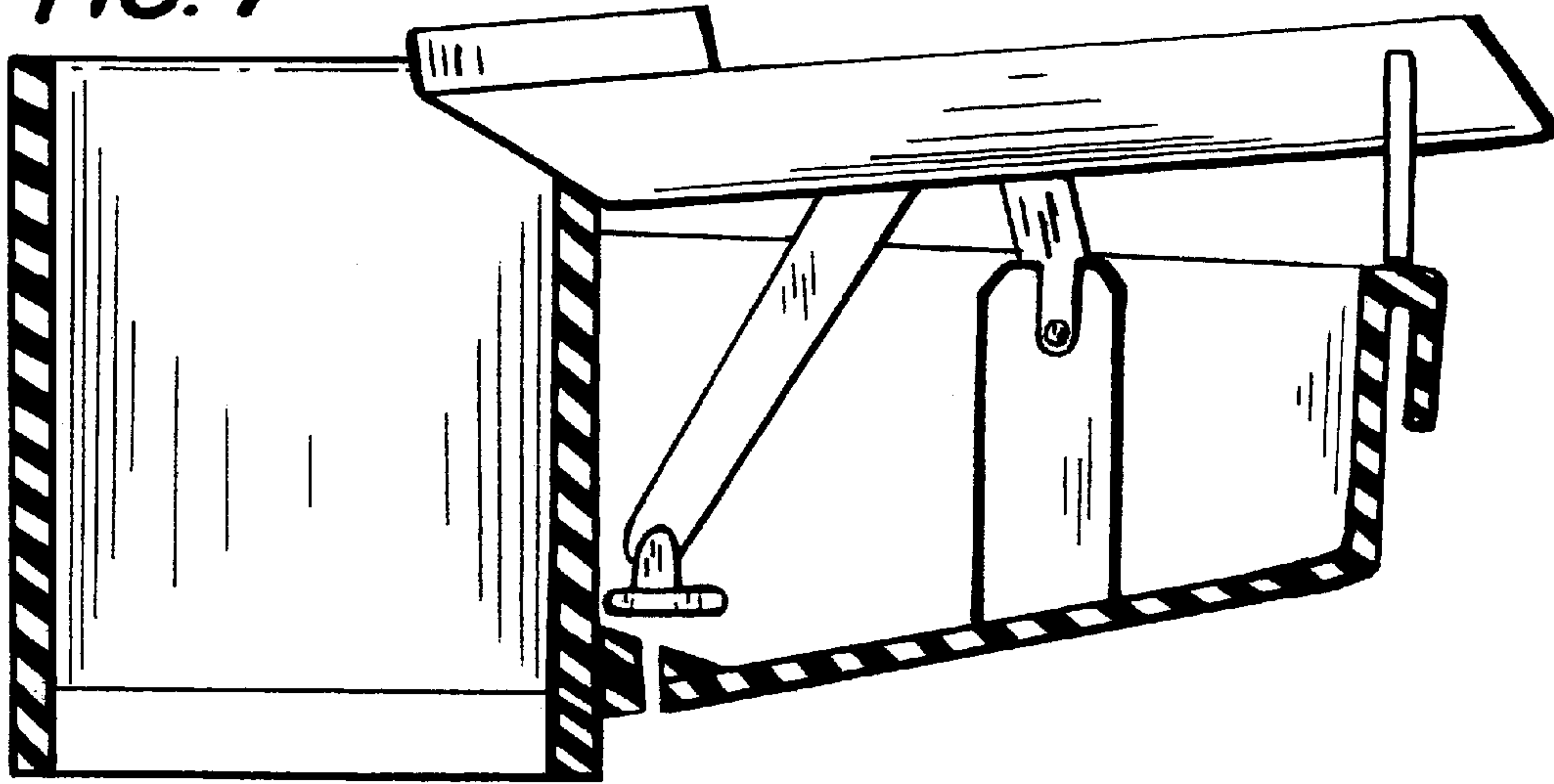


FIG. 8

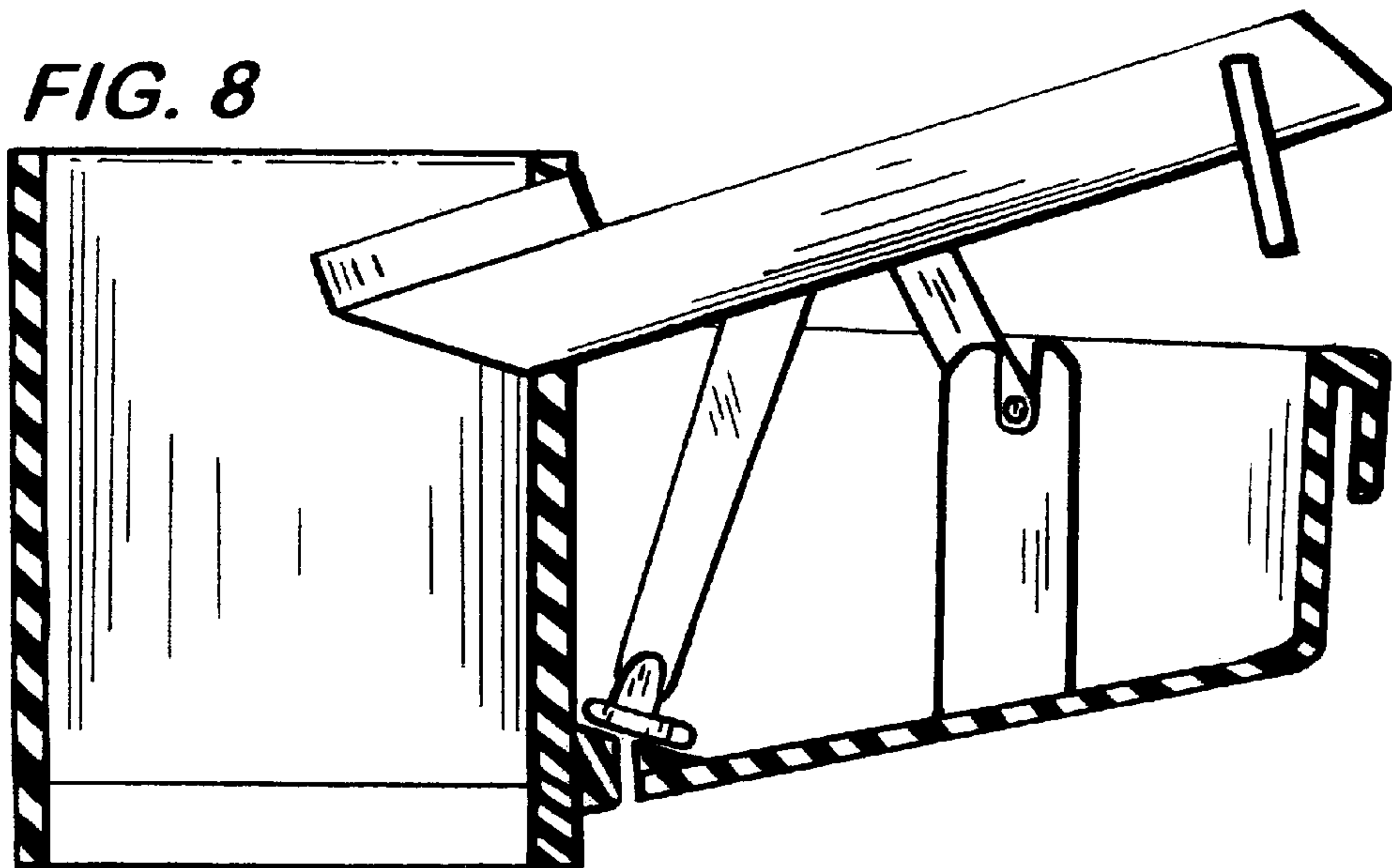


FIG. 9

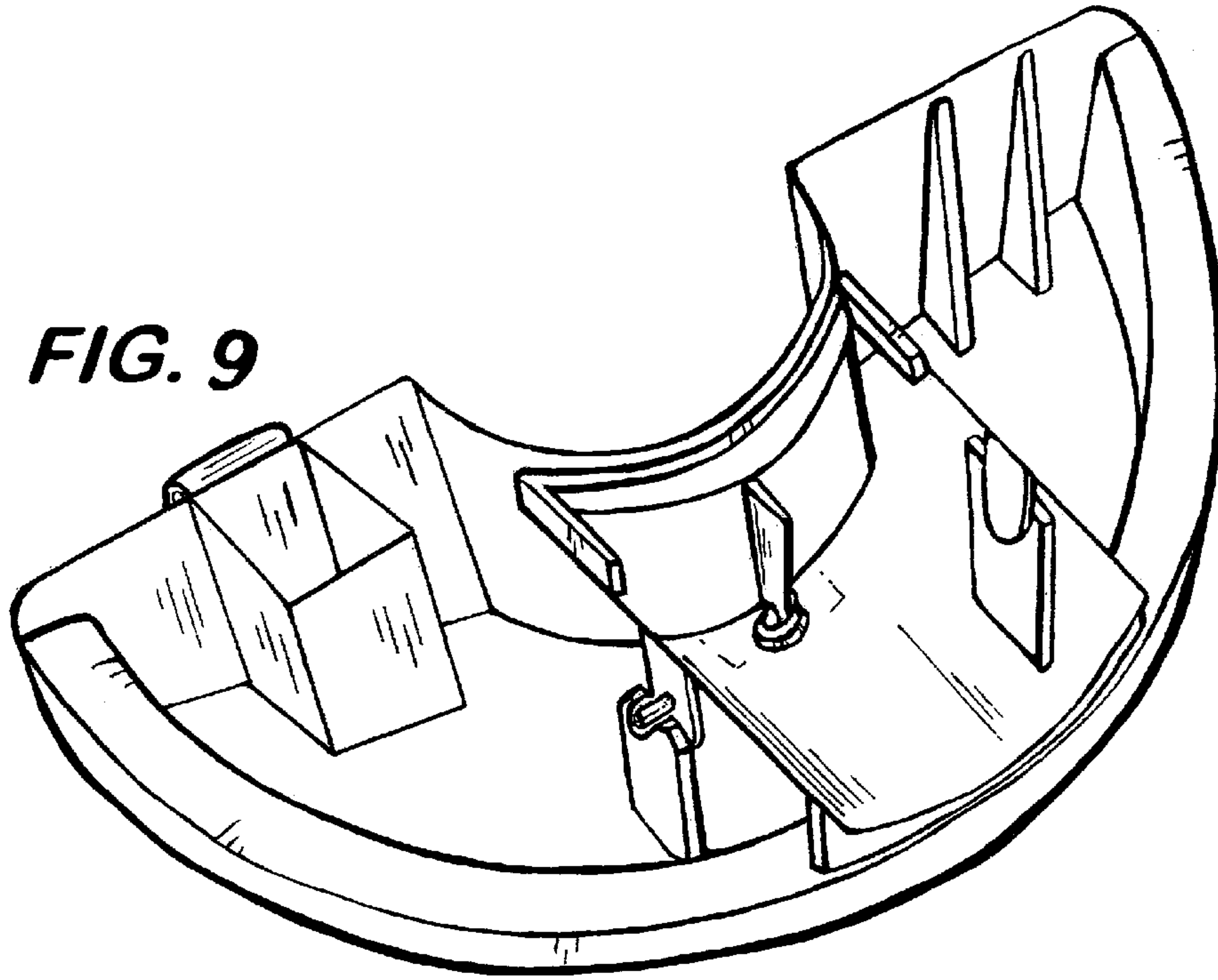


FIG. 10

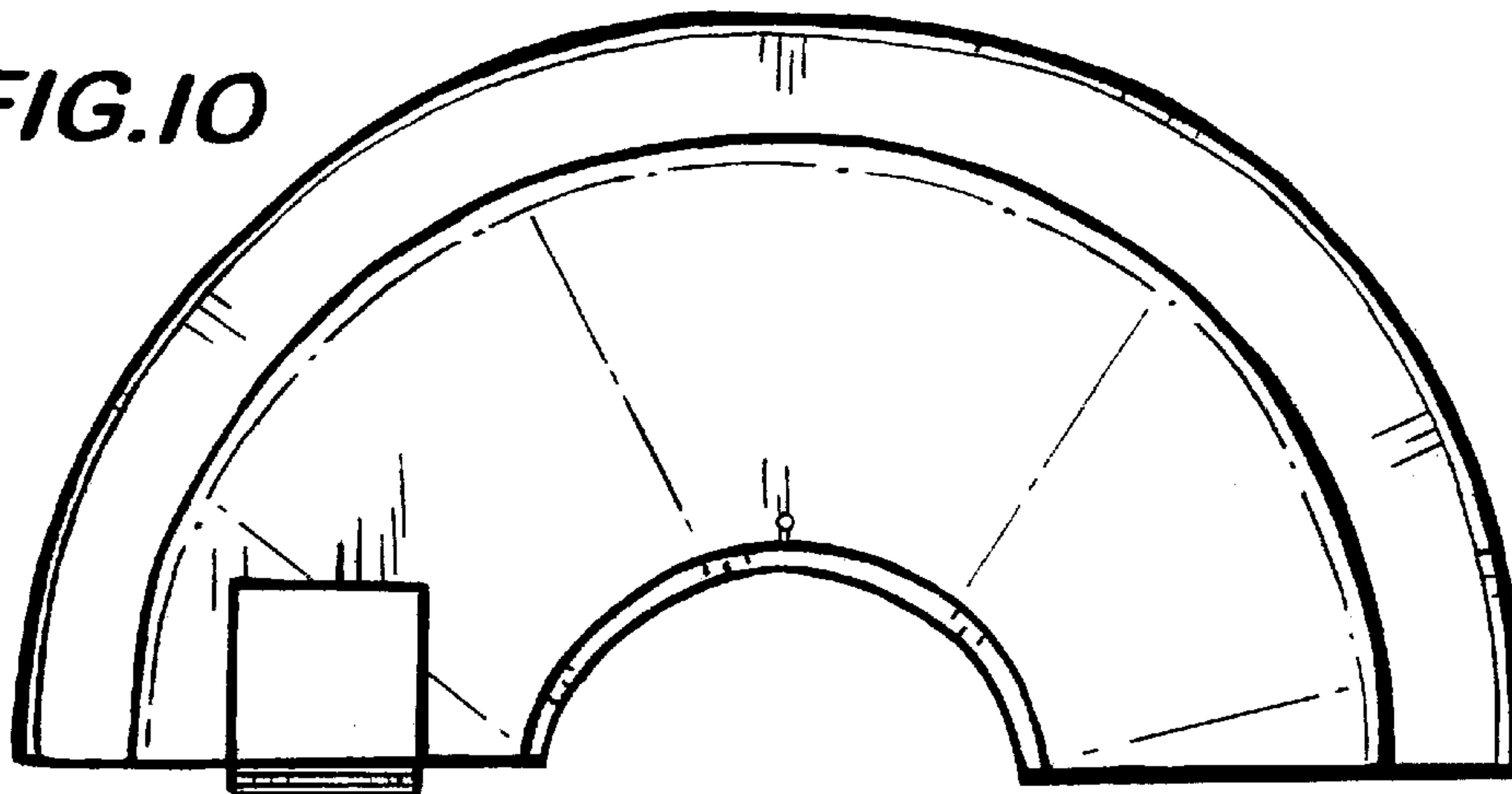


FIG. 11

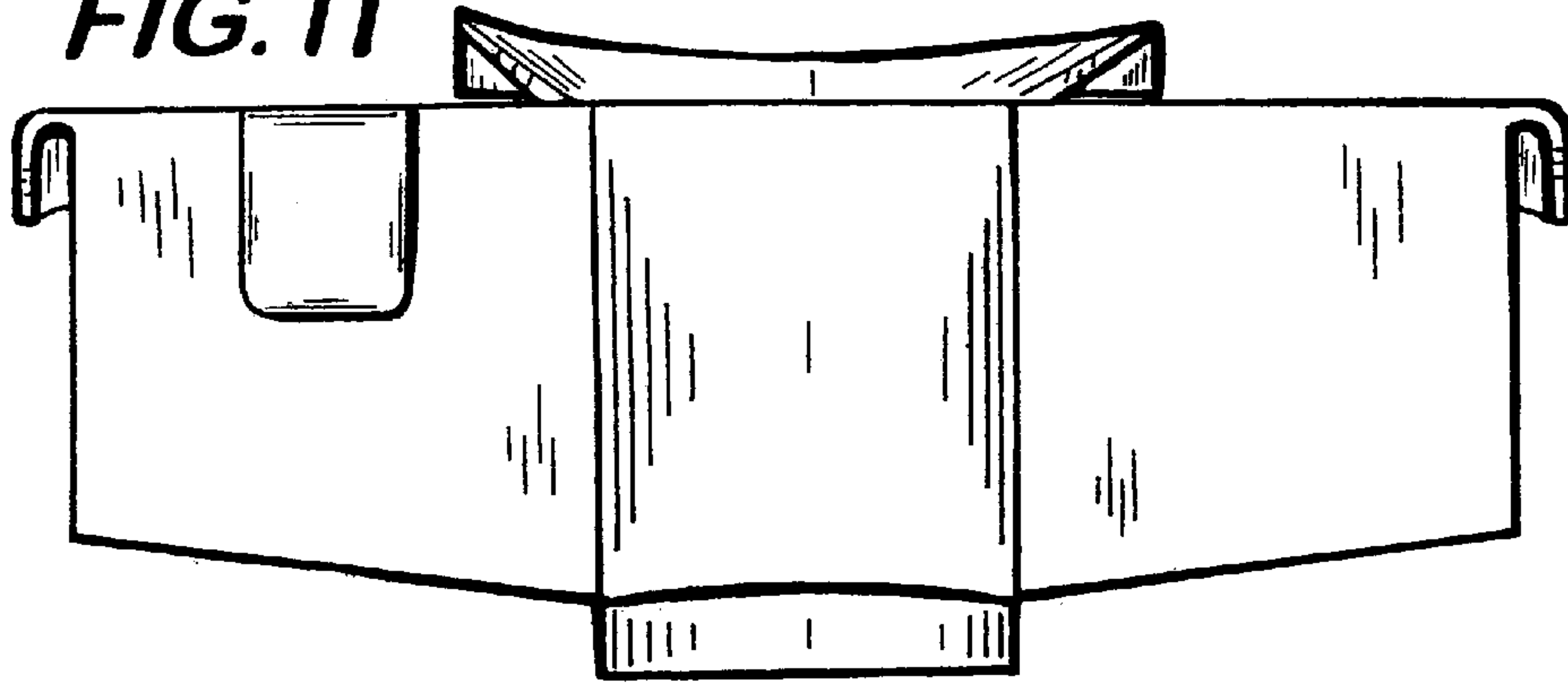


FIG. 12

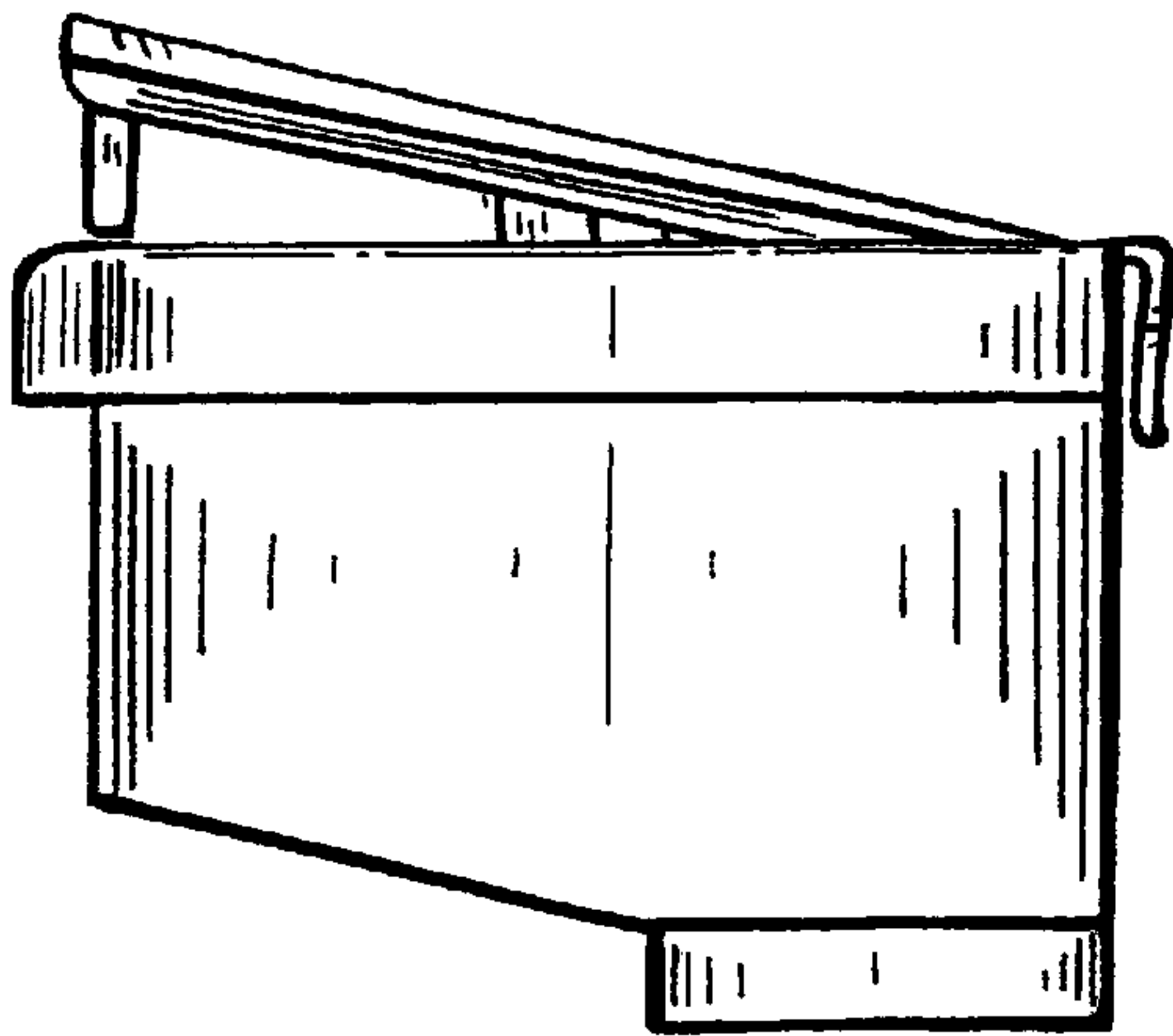


FIG. 13

