

US00D493074S1

(12) **United States Design Patent** (10) **Patent No.:** **US D493,074 S**
Brousseau et al. (45) **Date of Patent:** **** Jul. 20, 2004**

(54) **ROTARY GRATER**

(75) Inventors: **Yvan Brousseau**, Montreal (CA);
Francois Duval, Terrebonne (CA);
Derek Hunziker, Montreal (CA);
Patrick Mainville, Montreal (CA);
Jean Marcoux, Montreal (CA); **Gad Shaanan**, La Jolla, CA (US)

(73) Assignee: **Wilton Industries, Inc.**, Woodridge, IL (US)

(**) Term: **14 Years**

(21) Appl. No.: **29/186,059**

(22) Filed: **Jul. 9, 2003**

(51) **LOC (7) Cl.** **07-04**

(52) **U.S. Cl.** **D7/678**

(58) **Field of Search** D7/678, 372, 373, D7/381, 679; 99/495, 510-513; 241/92, 93, 95, 168, 169, 169.1, 273.1-273.4

(56) **References Cited**

U.S. PATENT DOCUMENTS

2,271,175 A	1/1942	Mantelet	
D235,501 S	6/1975	Mantelet	
D247,414 S	3/1978	Watkins et al.	
D276,202 S	11/1984	Shun	
5,148,995 A *	9/1992	Hurst	241/169.1
5,364,037 A	11/1994	Bigelow	

5,660,341 A	8/1997	Perkins et al.	
D395,380 S *	6/1998	Arita et al.	D7/678
5,803,378 A	9/1998	Wolters	
D409,453 S	5/1999	Blaise	
6,409,107 B1	6/2002	Romano	

* cited by examiner

Primary Examiner—Terry A. Wallace
(74) *Attorney, Agent, or Firm*—Piper Rudnick LLP

(57) **CLAIM**

The ornamental design for the rotary grater, as shown.

DESCRIPTION

FIG. 1 is a front top perspective view of the rotary grater; FIG. 2 is a rear bottom perspective view of the rotary grater; FIG. 3 is a top plan view of the rotary grater; FIG. 4 is a front elevational view of the rotary grater; FIG. 5 is a rear elevational view of the rotary grater; FIG. 6 is a left side elevational view of the rotary grater; FIG. 7 is a right side elevational view of the rotary grater; FIG. 8 is a bottom plan view of the rotary grater; FIG. 9 is a front top perspective view of the rotary grater with a container; FIG. 10 is a rear bottom perspective view of the rotary grater with a container; and, FIG. 11 is a top plan view of the rotary grater with a container.

The grater is shown without the container in FIGS. 1-8 for clarity of illustration.

1 Claim, 7 Drawing Sheets

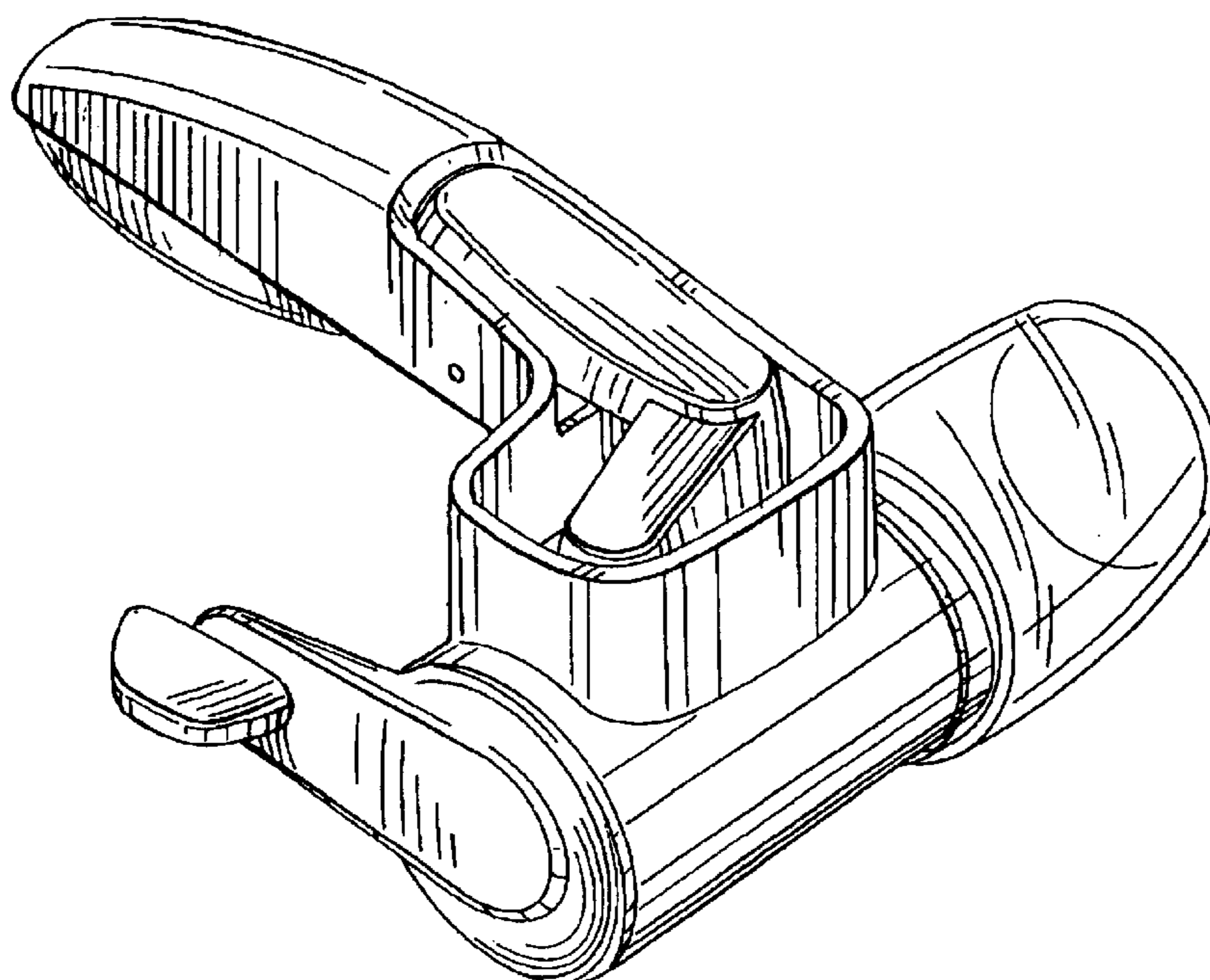


FIG. 1

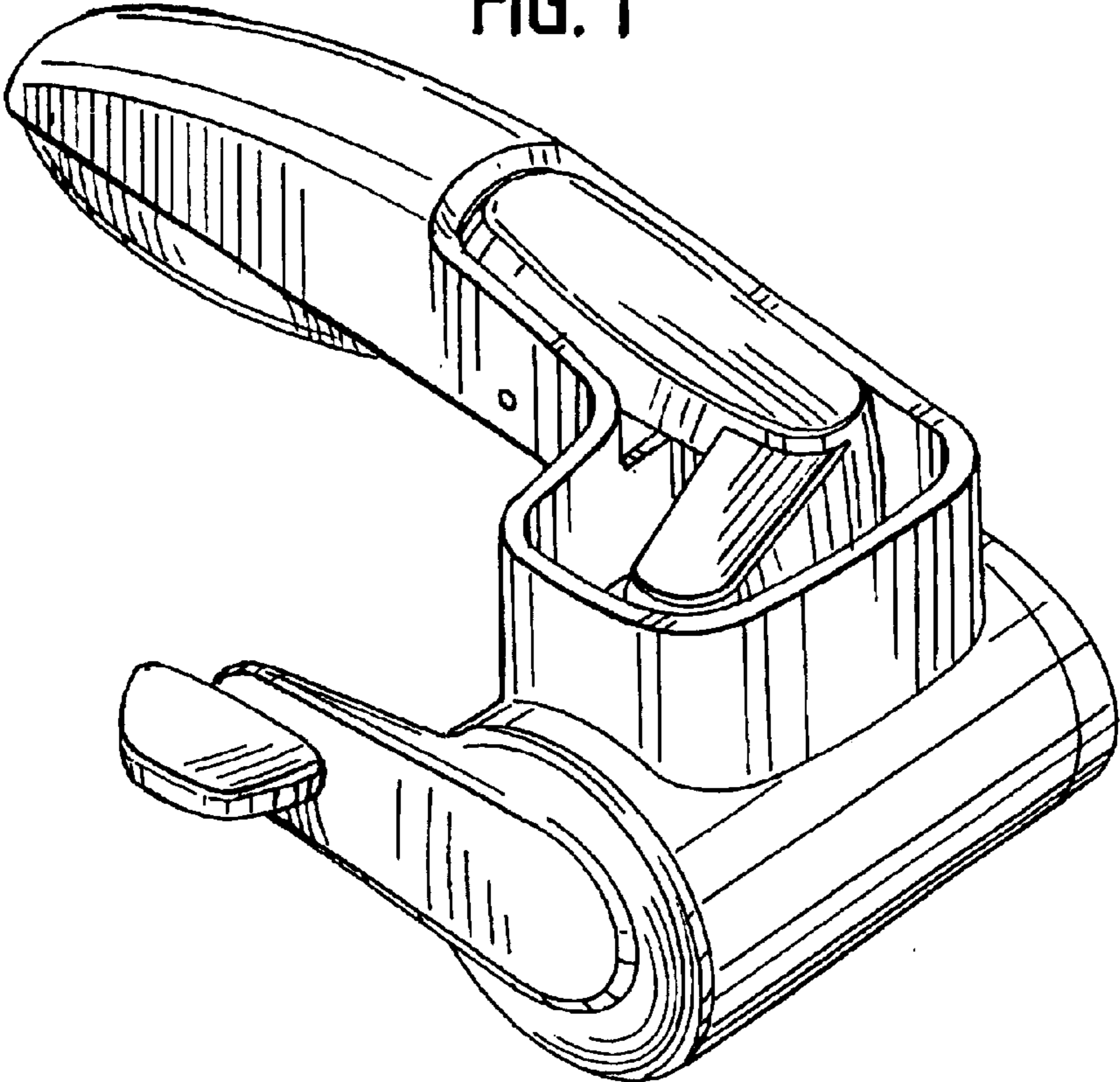


FIG. 2

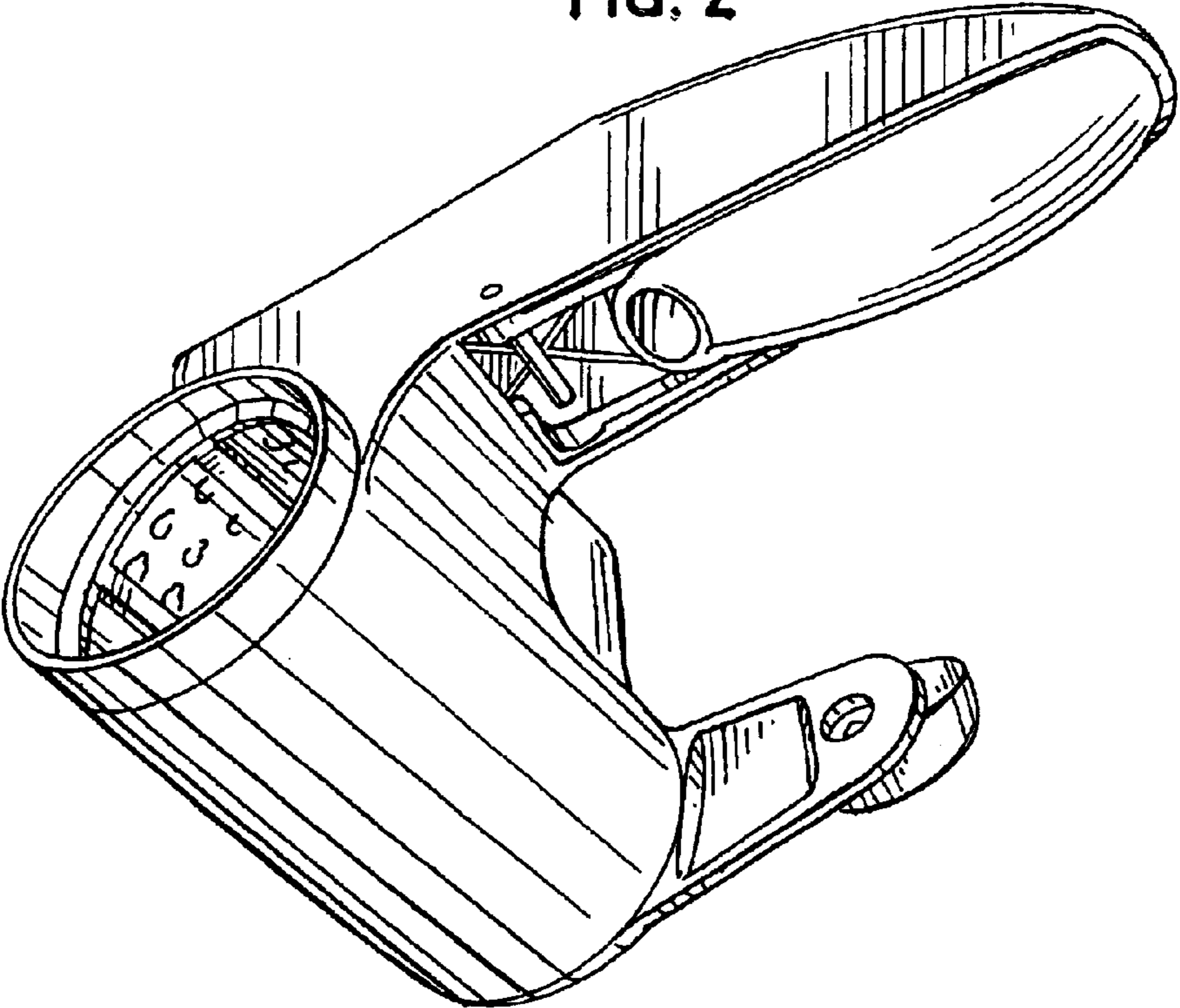


FIG. 3

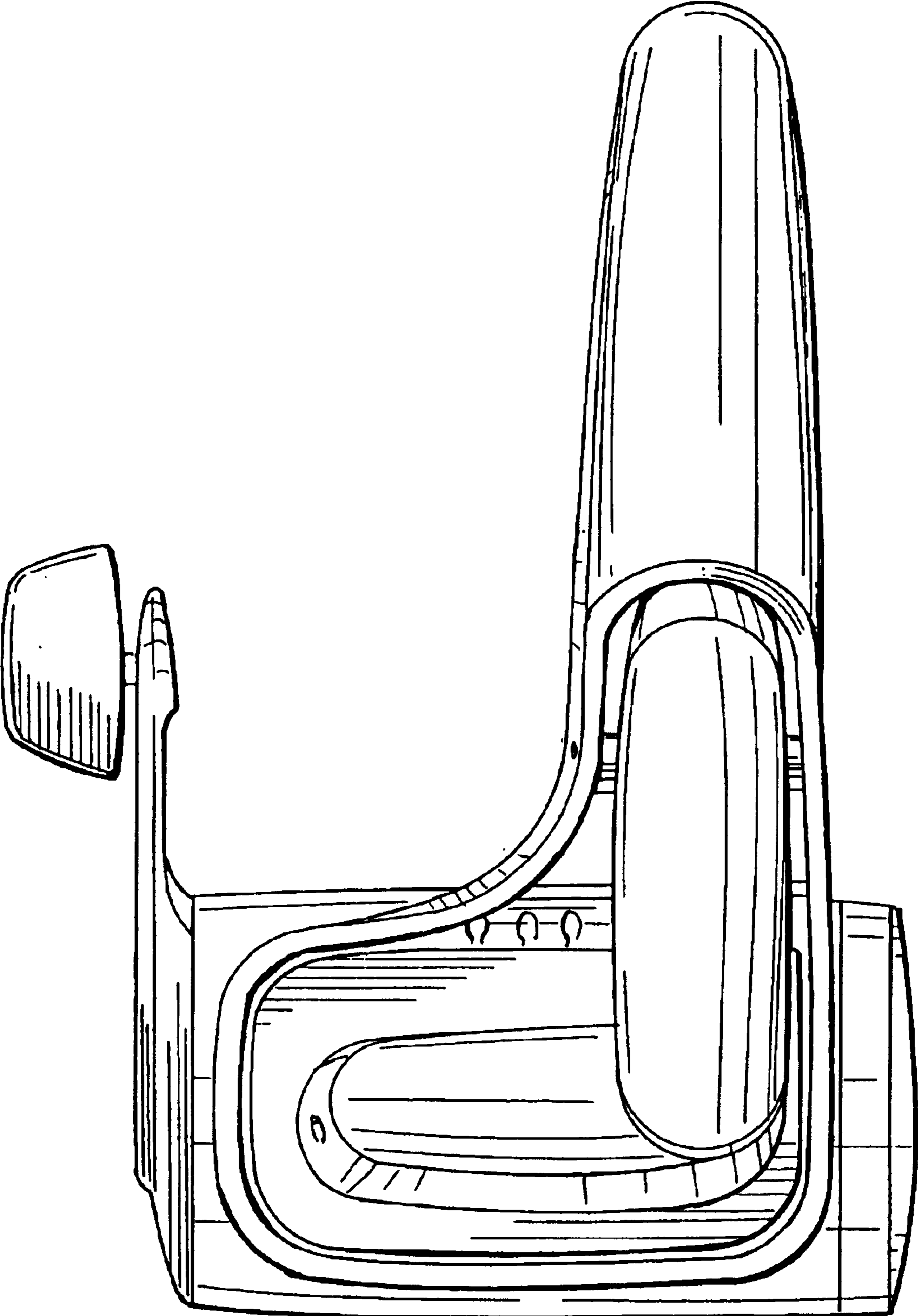


FIG. 4

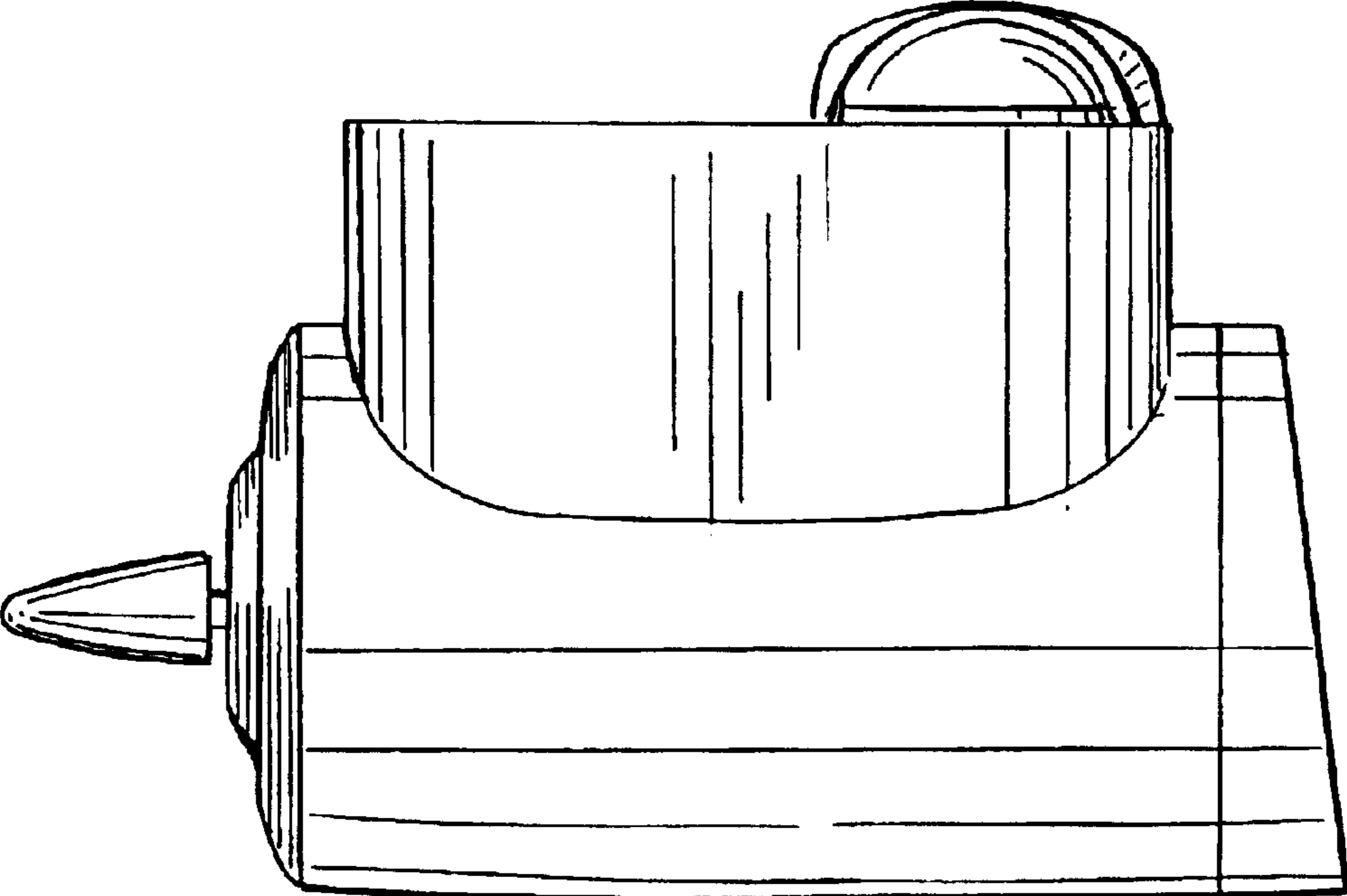


FIG. 5

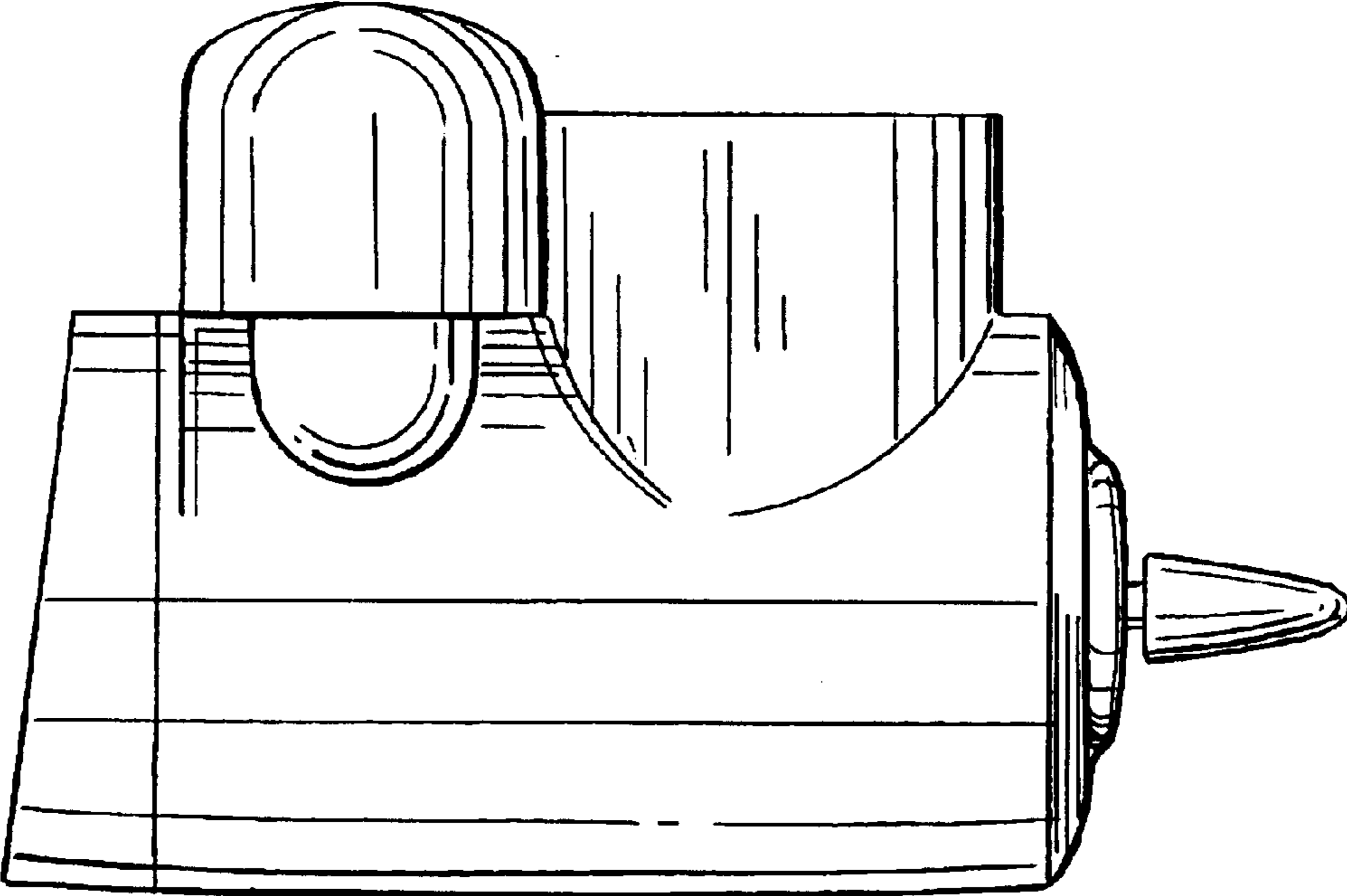


FIG. 6

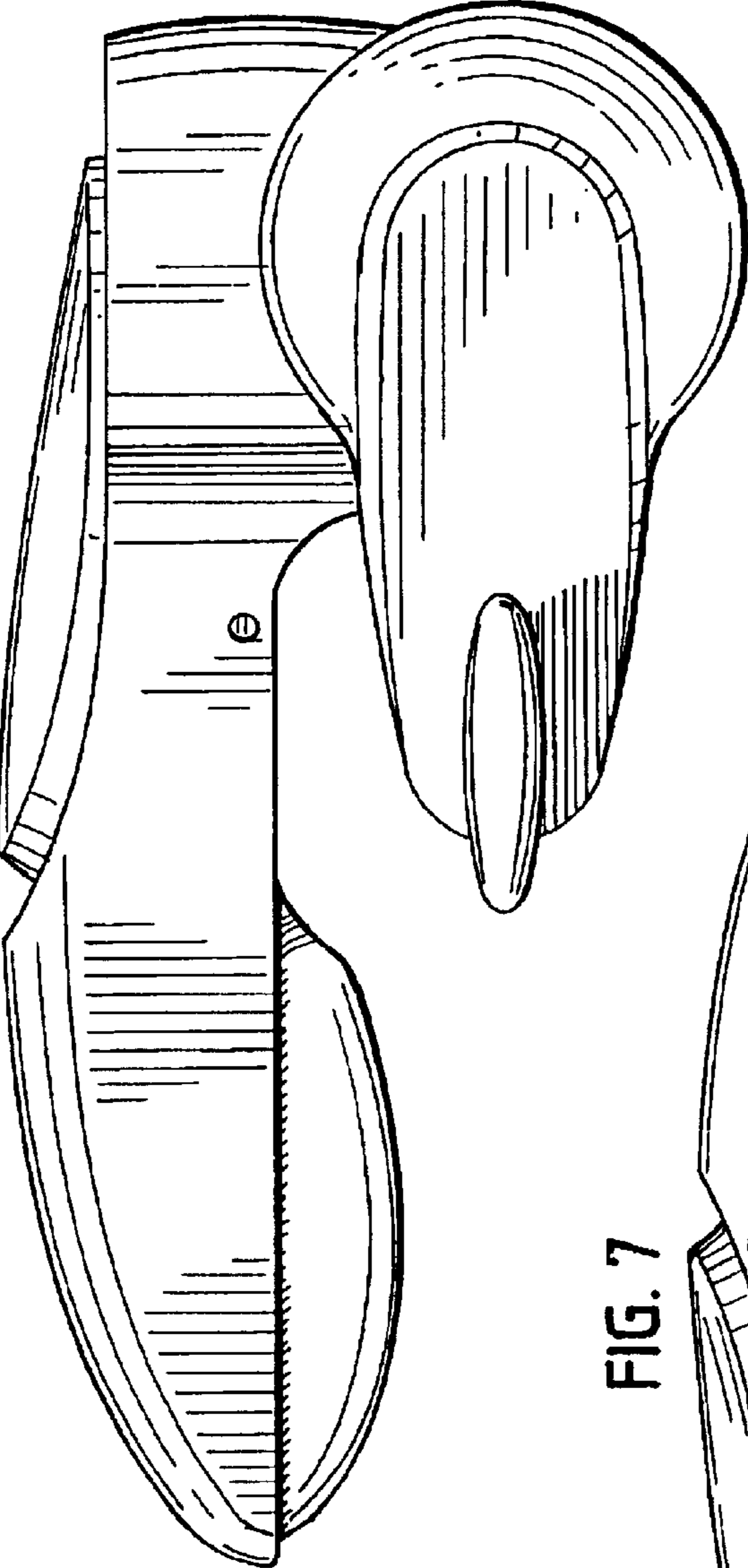


FIG. 7

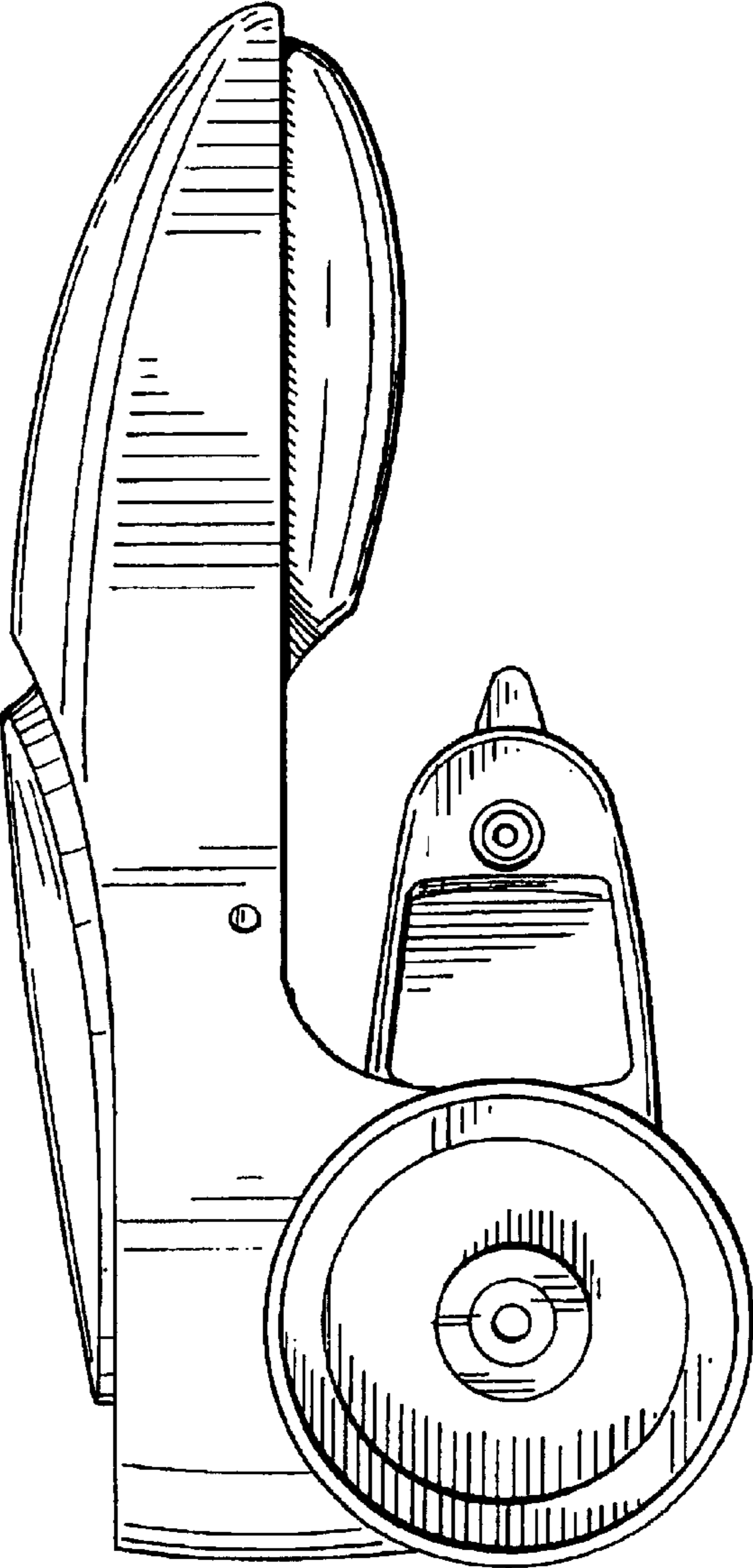


FIG. 8

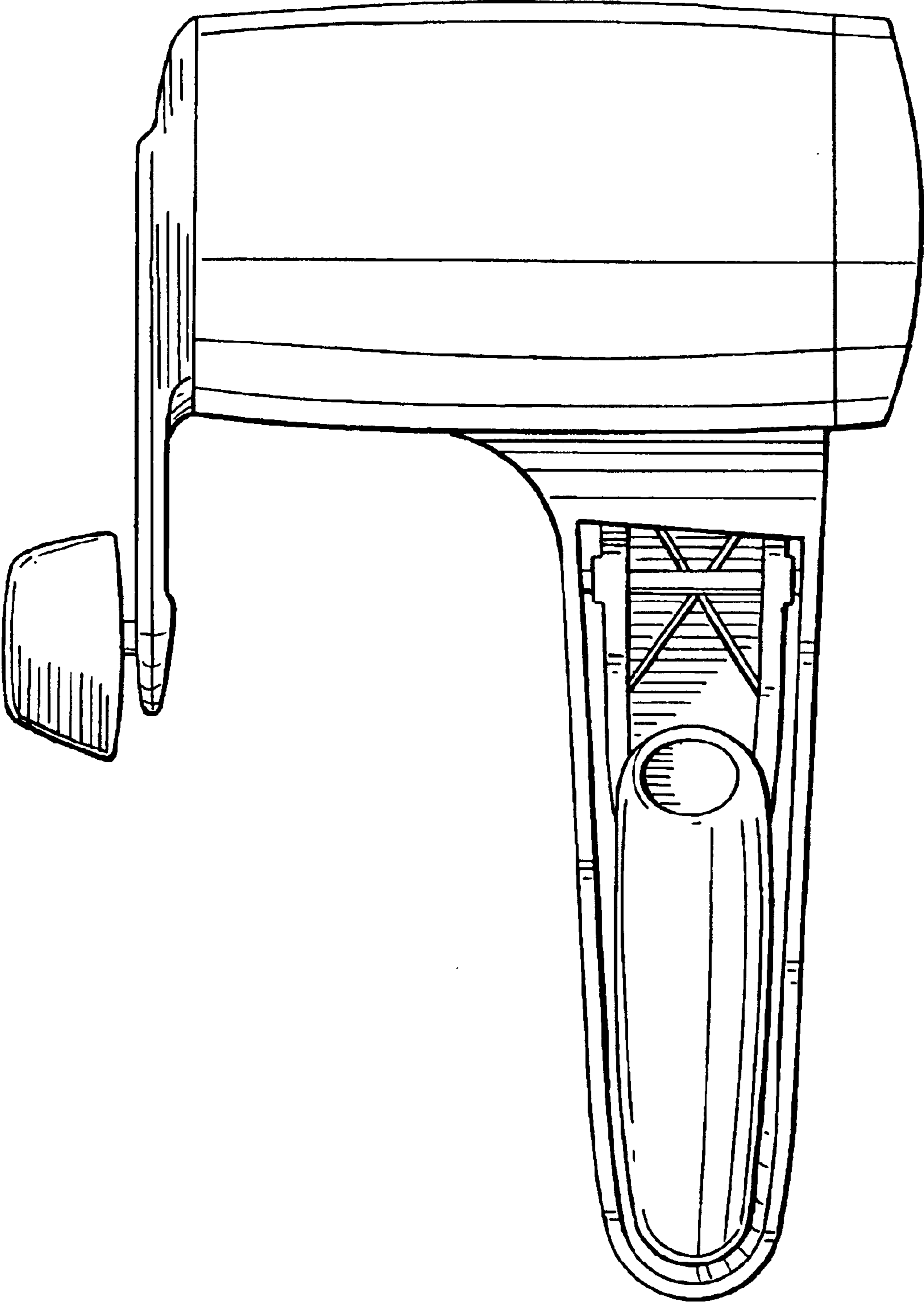


FIG. 9

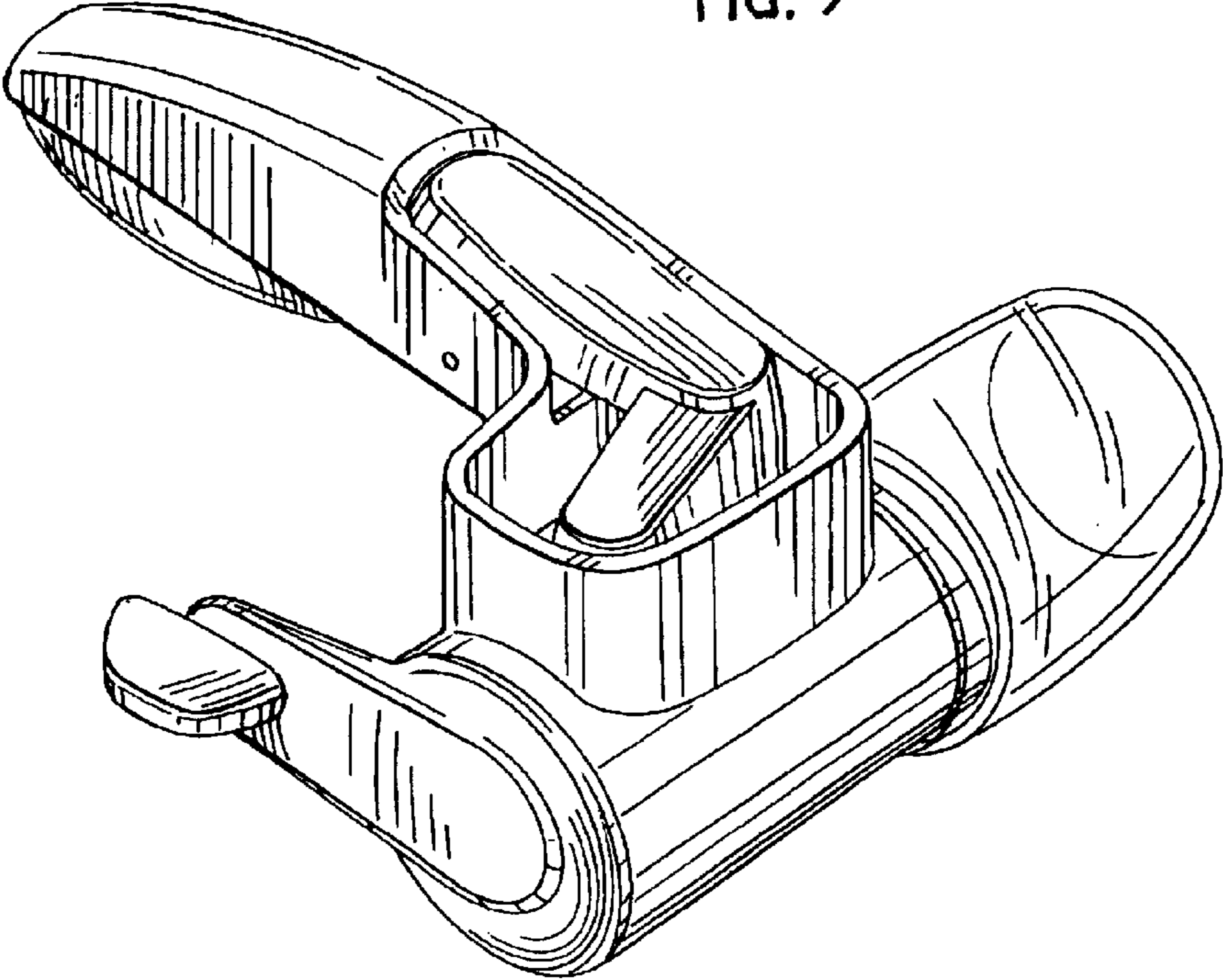


FIG. 10

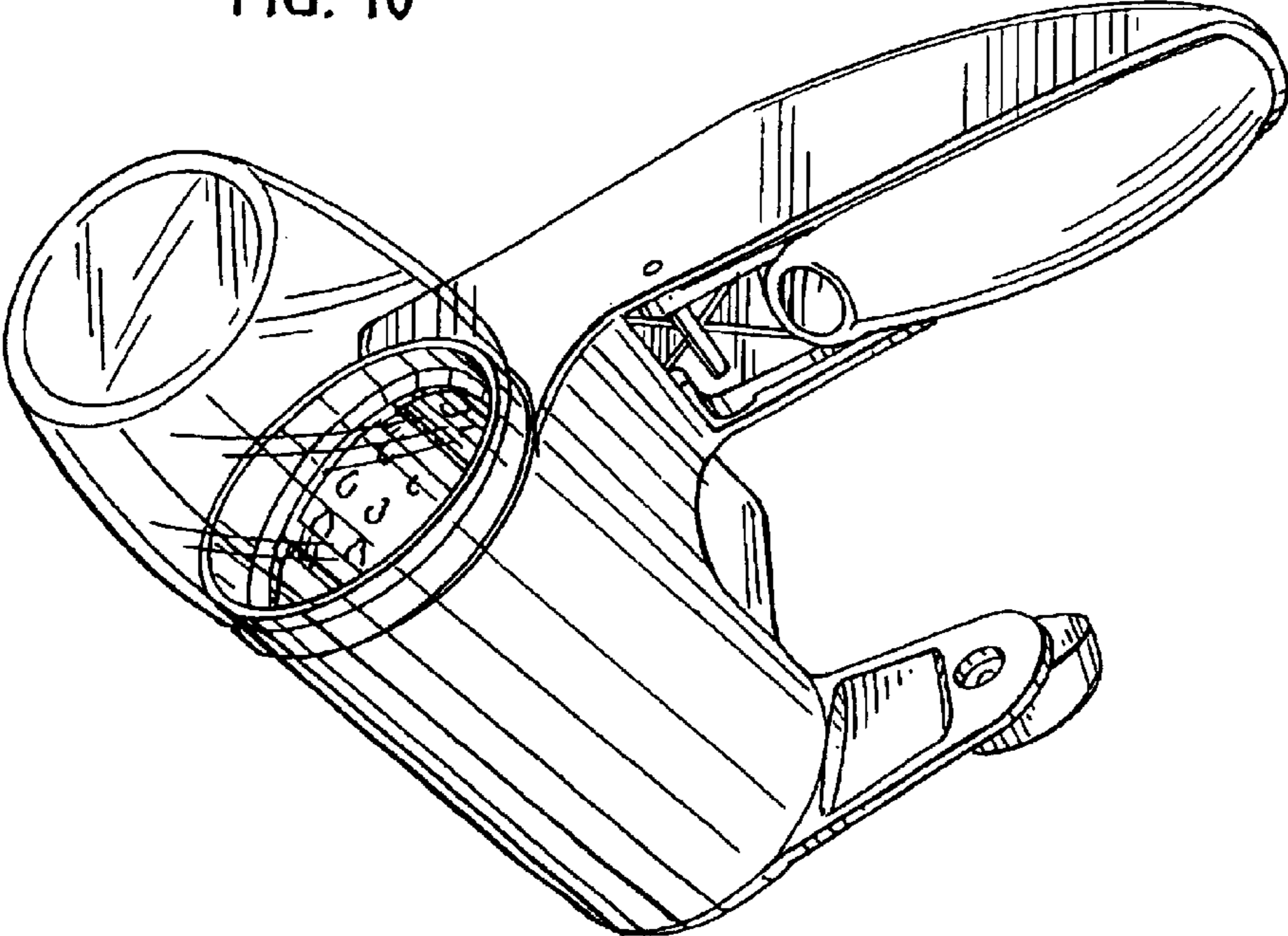


FIG. 11

