



US00D493073S1

(12) **United States Design Patent**  
**Kim**

(10) **Patent No.:** **US D493,073 S**

(45) **Date of Patent:** **\*\* Jul. 20, 2004**

(54) **CONTAINER FOR STORING FOODS**

D356,256 S \* 3/1995 Romanoff ..... D9/425  
D452,374 S \* 12/2001 Kim ..... D3/302  
D455,321 S \* 4/2002 Jung et al. .... D7/629

(75) **Inventor:** **Chang-Ho Kim, Incheon (KR)**

\* cited by examiner

(73) **Assignee:** **Hana Cobi Co., Ltd., Incheon (KR)**

*Primary Examiner*—Terry A. Wallace

(\*\*) **Term:** **14 Years**

(74) *Attorney, Agent, or Firm*—Brich, Stewart, Kolasch & Birch, LLP

(21) **Appl. No.:** **29/177,295**

(22) **Filed:** **Mar. 10, 2003**

(57) **CLAIM**

(51) **LOC (7) Cl.** ..... **07-01**

The ornamental design for a container for storing foods, as shown.

(52) **U.S. Cl.** ..... **D7/629**

(58) **Field of Search** ..... D7/601, 602, 629,  
D7/538–542; D9/414, 424, 425, 430–432;  
220/281, 662, 675, 780–799, 574, 574.1;  
D3/201, 203, 205, 206, 273, 274, 302

**DESCRIPTION**

(56) **References Cited**

**U.S. PATENT DOCUMENTS**

D244,353 S \* 5/1977 Skjelby et al. .... D9/425  
D248,090 S \* 6/1978 Box ..... D9/424  
D308,340 S \* 6/1990 Ilsen et al. .... D9/425

FIG. 1 is a Perspective view of the container for storing foods according to the present invention;  
FIG. 2 is a Front view thereof;  
FIG. 3 is a Rear view thereof;  
FIG. 4 is a Left-side view thereof;  
FIG. 5 is a Right-side view thereof;  
FIG. 6 is a Top Plan view thereof; and,  
FIG. 7 is a Bottom Plan view thereof.

**1 Claim, 4 Drawing Sheets**

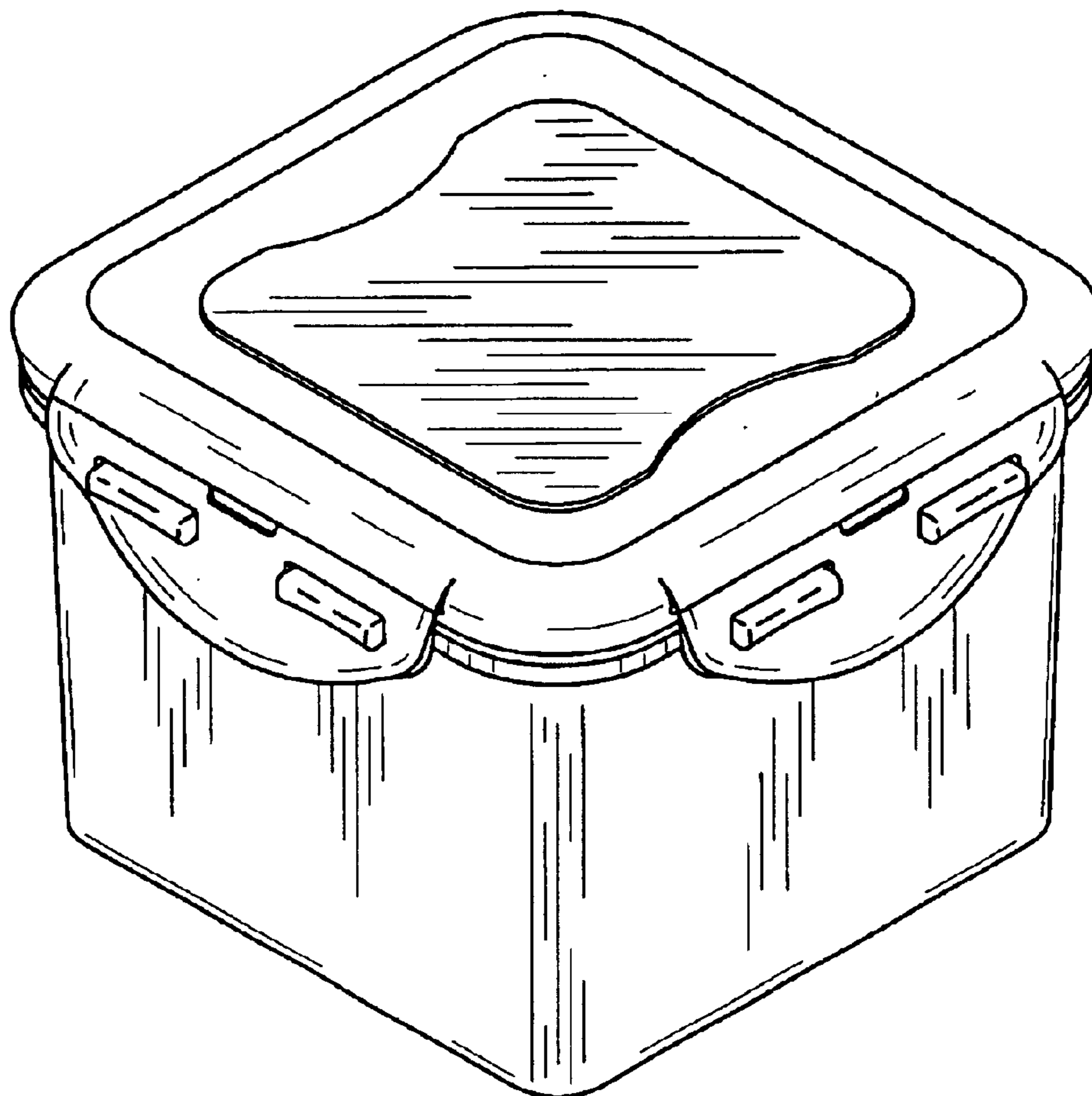


Fig. 1

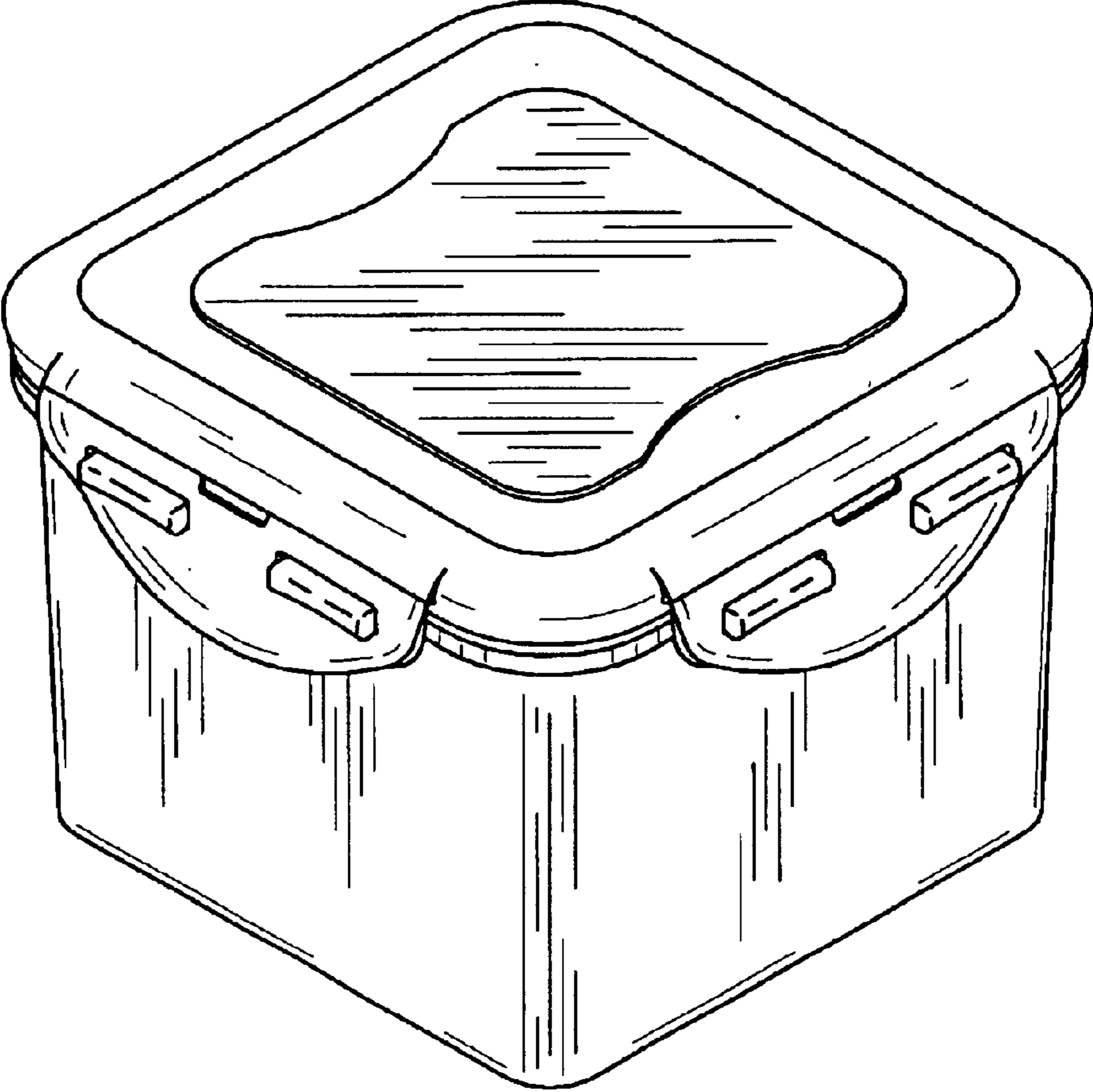


Fig.2

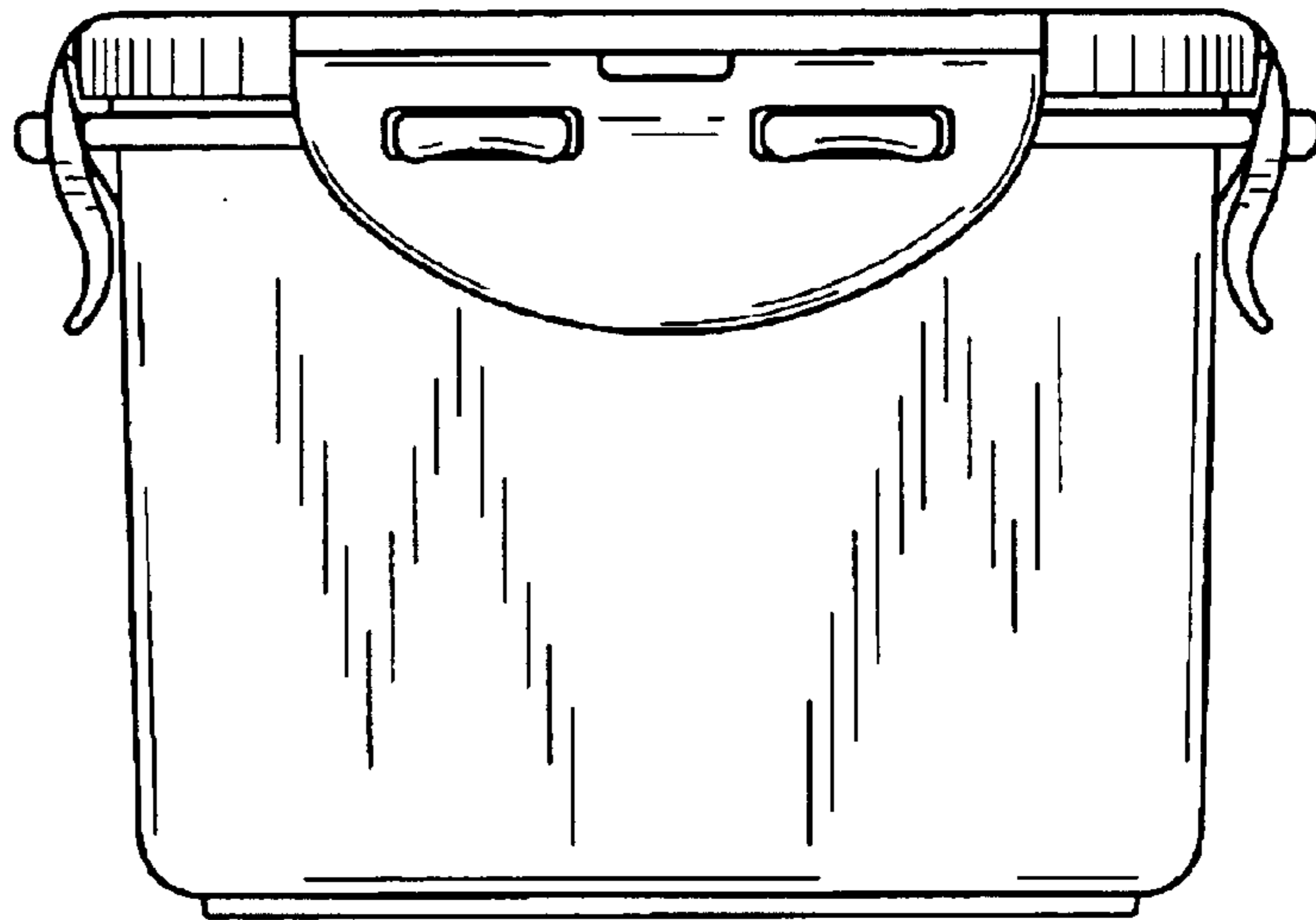


Fig.3

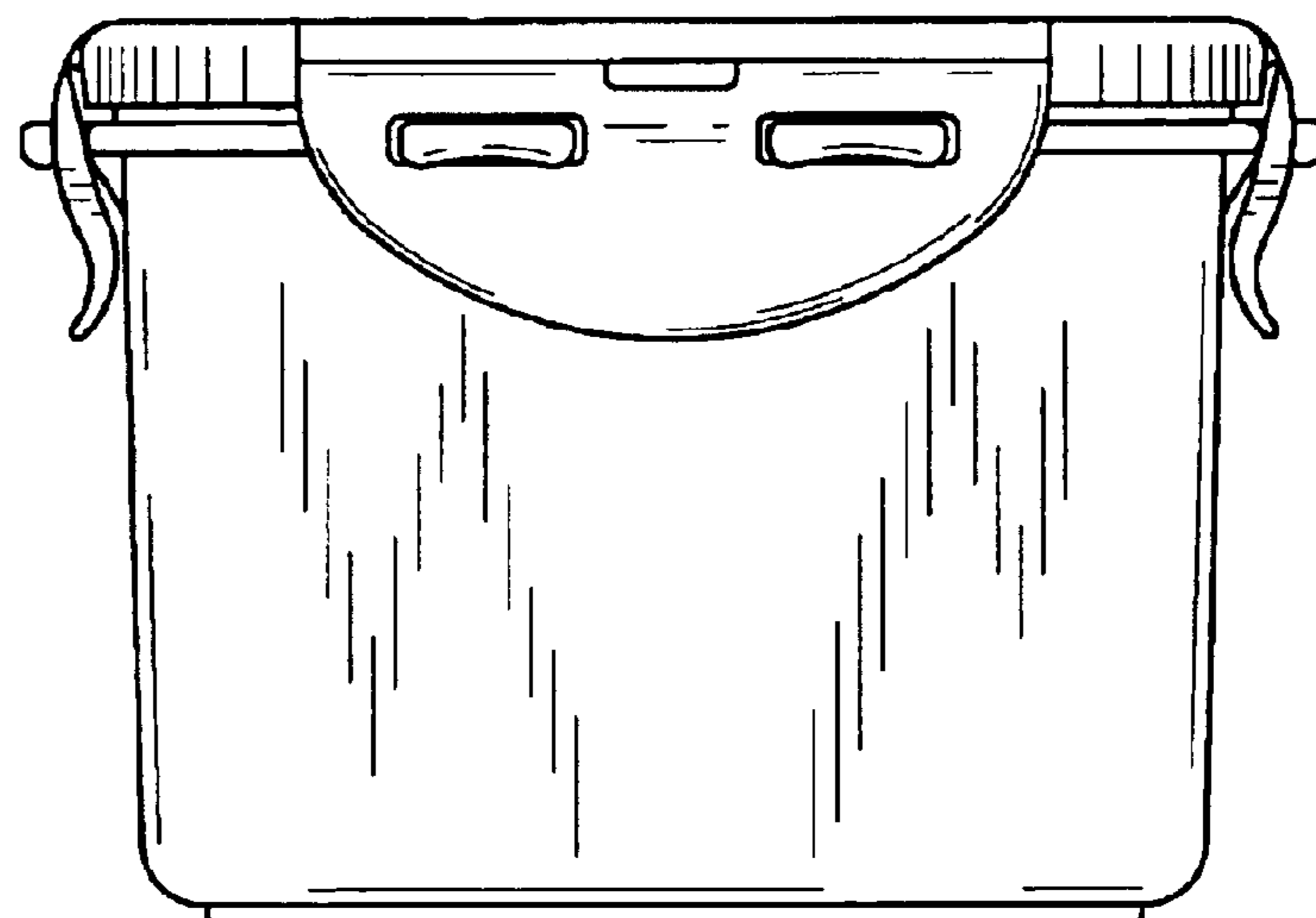


Fig.4

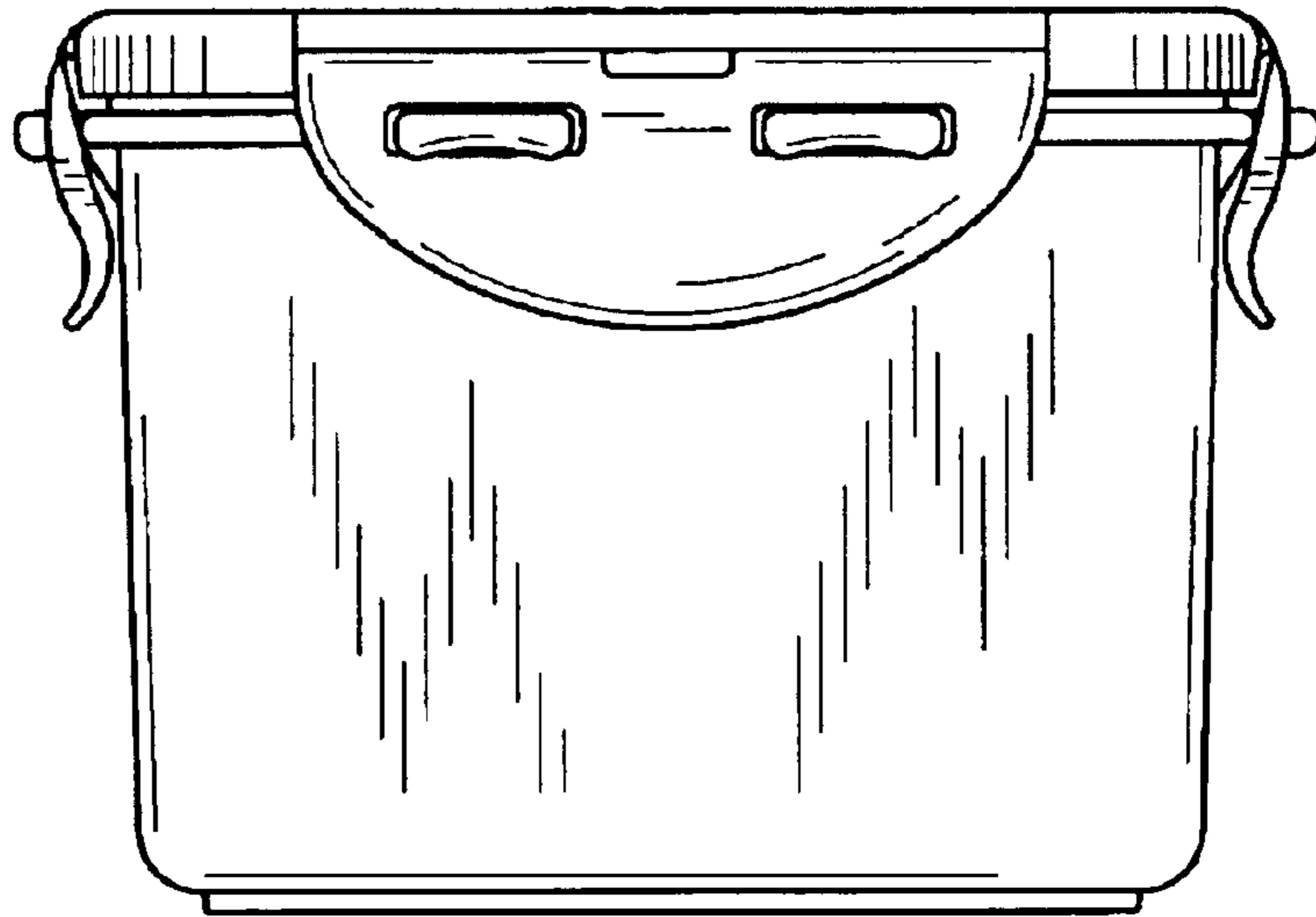


Fig.5

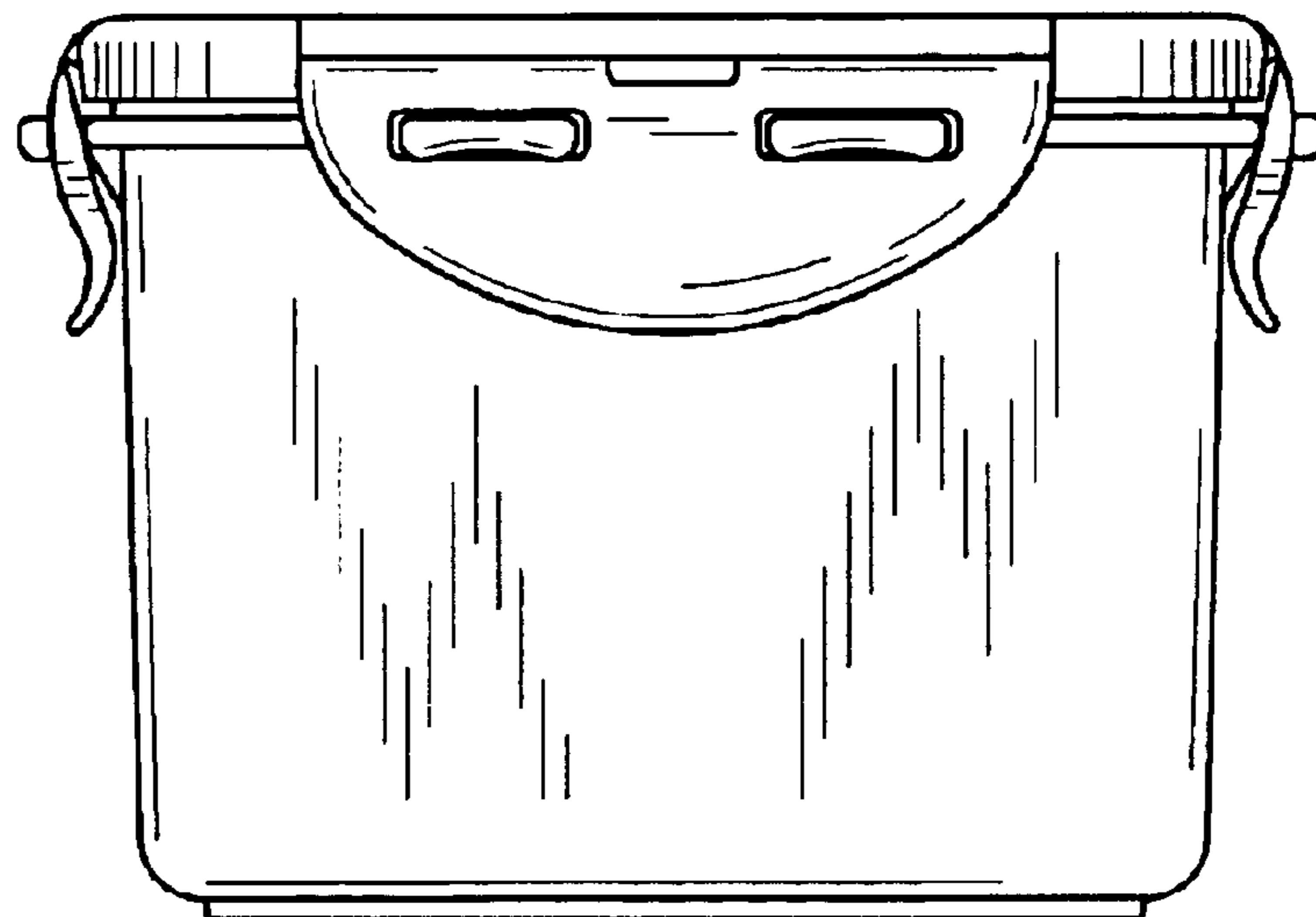


Fig.6

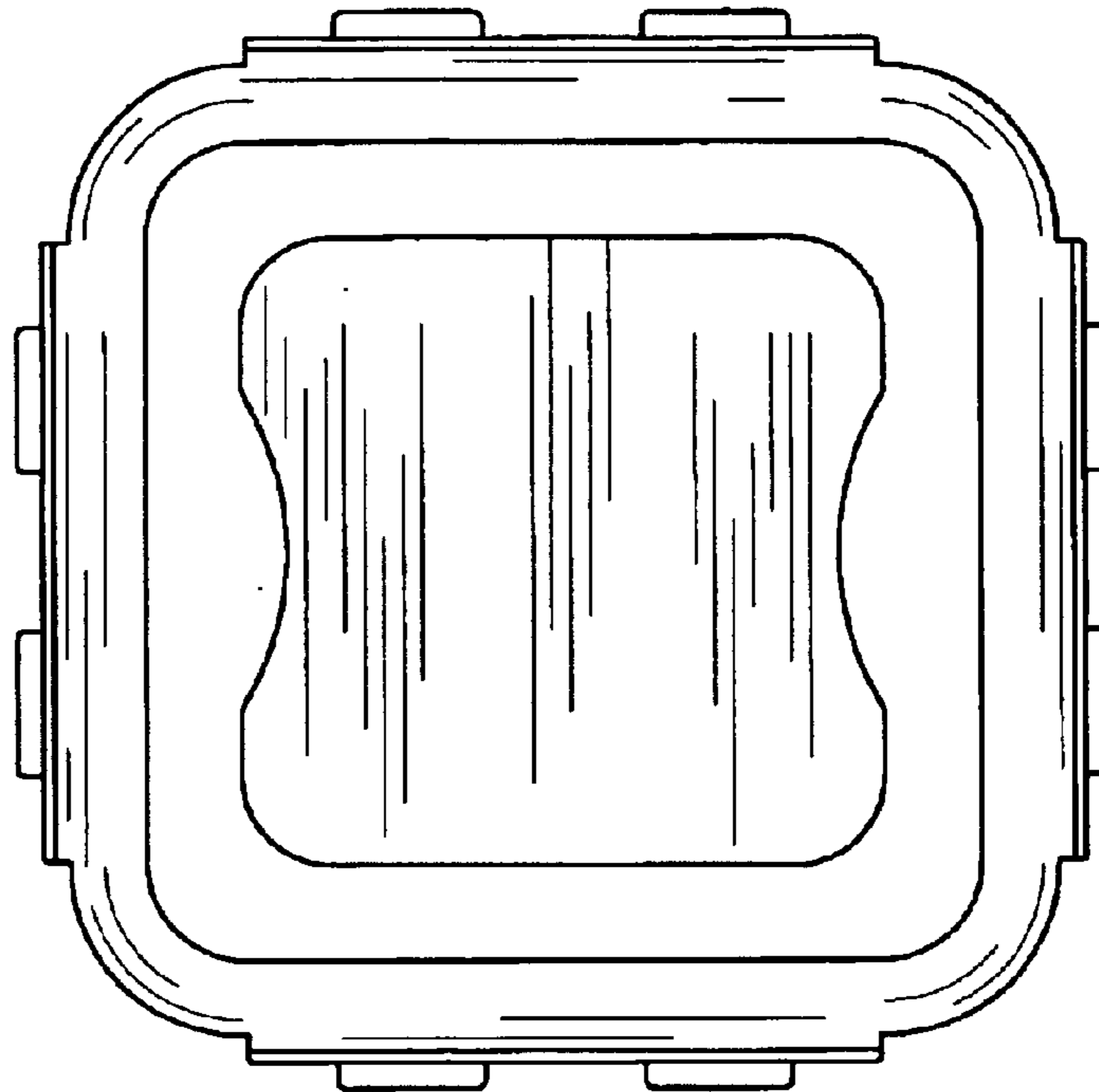


Fig.7

