

US00D493072S1

(12) **United States Design Patent**
Palmer

(10) **Patent No.:** **US D493,072 S**
(45) **Date of Patent:** **** Jul. 20, 2004**

(54) **ADJUSTABLE CUP HOLDER**

5,996,957 A 12/1999 Kurtz
6,036,071 A 3/2000 Hartmann et al.

(76) Inventor: **Kymberlee J. Palmer**, 2295 Coburg Rd., Suite 205G, Eugene, OR (US) 97401

* cited by examiner

(**) Term: **14 Years**

Primary Examiner—Terry A. Wallace
(74) *Attorney, Agent, or Firm*—David S. Alavi

(21) Appl. No.: **29/187,894**

(57) **CLAIM**

(22) Filed: **Aug. 8, 2003**

The ornamental design for an adjustable cup holder, as shown and described.

Related U.S. Application Data

DESCRIPTION

(63) Continuation of application No. 10/113,031, filed on Apr. 1, 2002, now abandoned.

(51) **LOC (7) Cl.** **07-06**

(52) **U.S. Cl.** **D7/620**

(58) **Field of Search** D7/619.1-620;
D12/411, 419, 420; 211/71.01, 74, 75;
248/309.1, 311.2, 312.1, 313

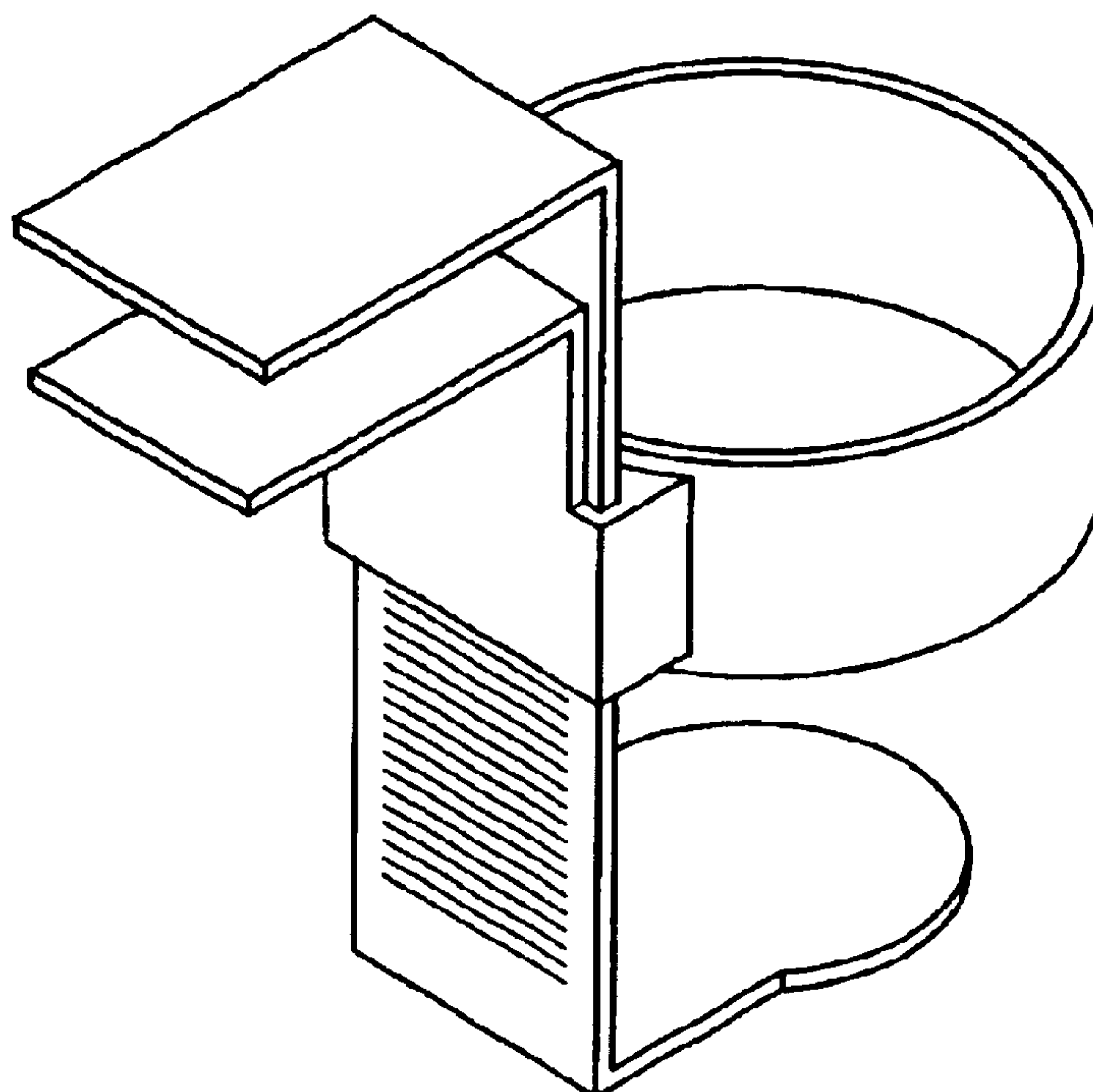
FIG. 1 is a rear isometric view of an adjustable cup holder showing my new design;
FIG. 2 is a front isometric view thereof;
FIG. 3 is a front elevation view thereof;
FIG. 4 is a rear elevation view thereof;
FIG. 5 is a left side elevation view thereof;
FIG. 6 is a right side elevation view thereof;
FIG. 7 is a top plan view thereof;
FIG. 8 is a bottom plan view thereof;
FIG. 9 is a left side elevation view thereof shown in an alternate configuration;
FIG. 10 is a rear elevation view thereof shown in an alternate configuration;
FIG. 11 is a left side elevation view of an alternate adjustable cup holder;
FIG. 12 is a rear elevation view of FIG. 11;
FIG. 13 is a left side elevation view of FIG. 11 shown in an alternate configuration; and,
FIG. 14 is a rear elevation view of FIG. 11 shown in an alternate configuration.

(56) **References Cited**

U.S. PATENT DOCUMENTS

- 1,760,346 A 5/1930 Correa
- 3,021,106 A 2/1962 Kramer
- 3,120,308 A 2/1964 Pierro
- D226,623 S * 4/1973 Shuford D7/620
- 3,939,986 A 2/1976 Pierro
- 4,606,523 A * 8/1986 Statz et al. 248/311.2
- 4,984,722 A 1/1991 Moore
- 5,280,870 A 1/1994 Chick et al.
- D379,288 S * 5/1997 Azar D7/620
- 5,842,671 A 12/1998 Gibbs
- D407,952 S * 4/1999 Kendrick D7/620

1 Claim, 7 Drawing Sheets



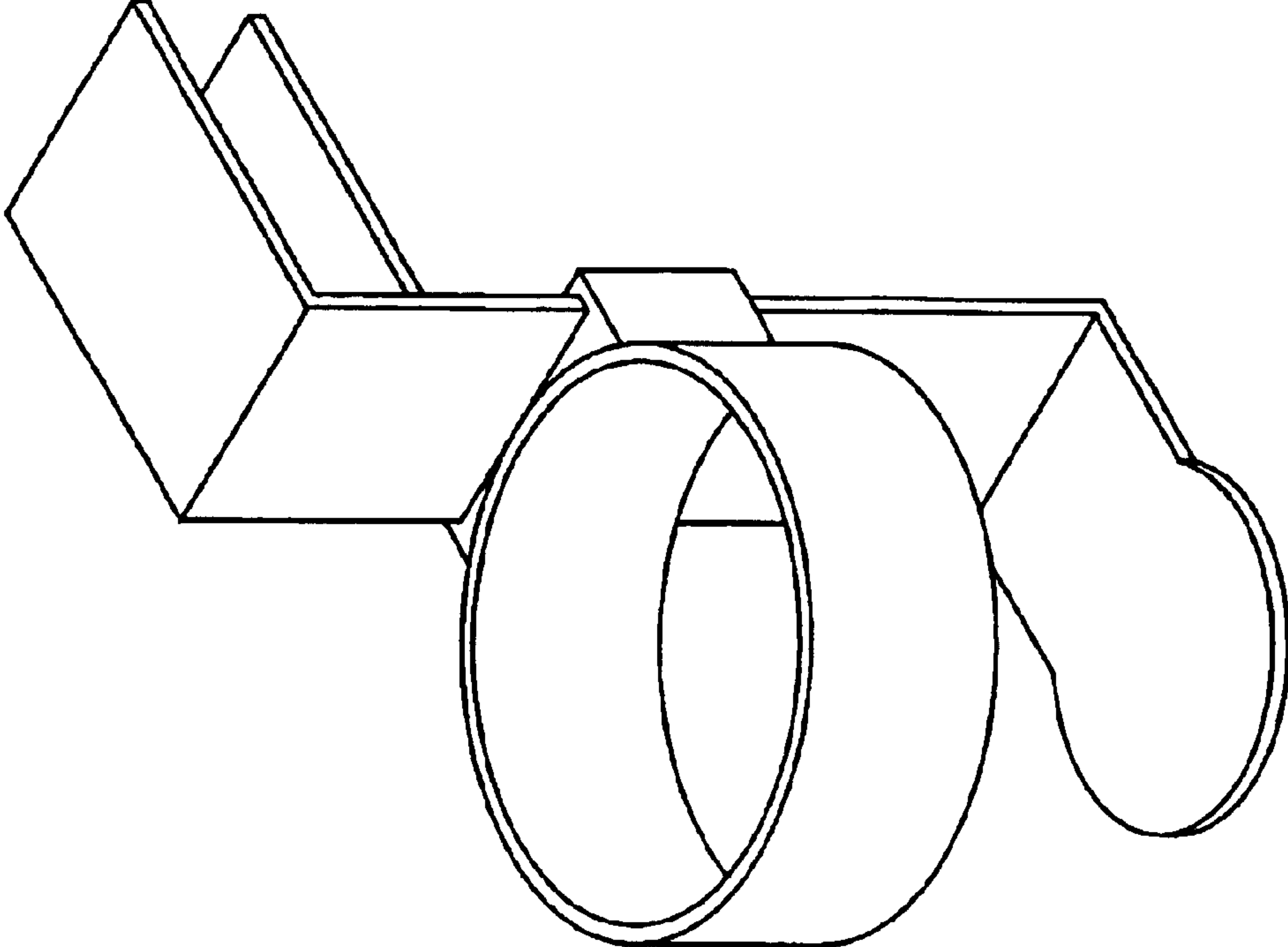


FIG. 2

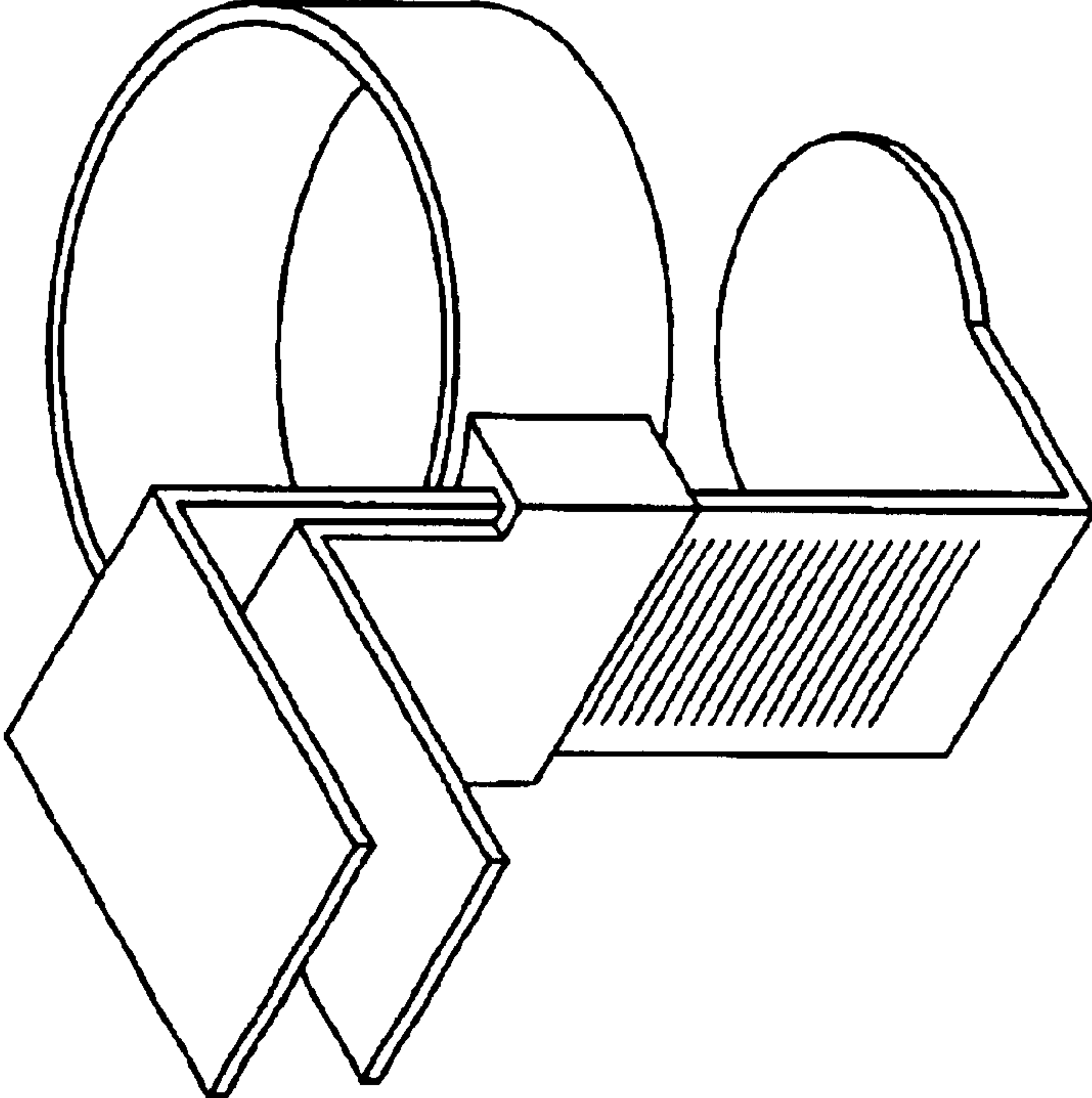


FIG. 1

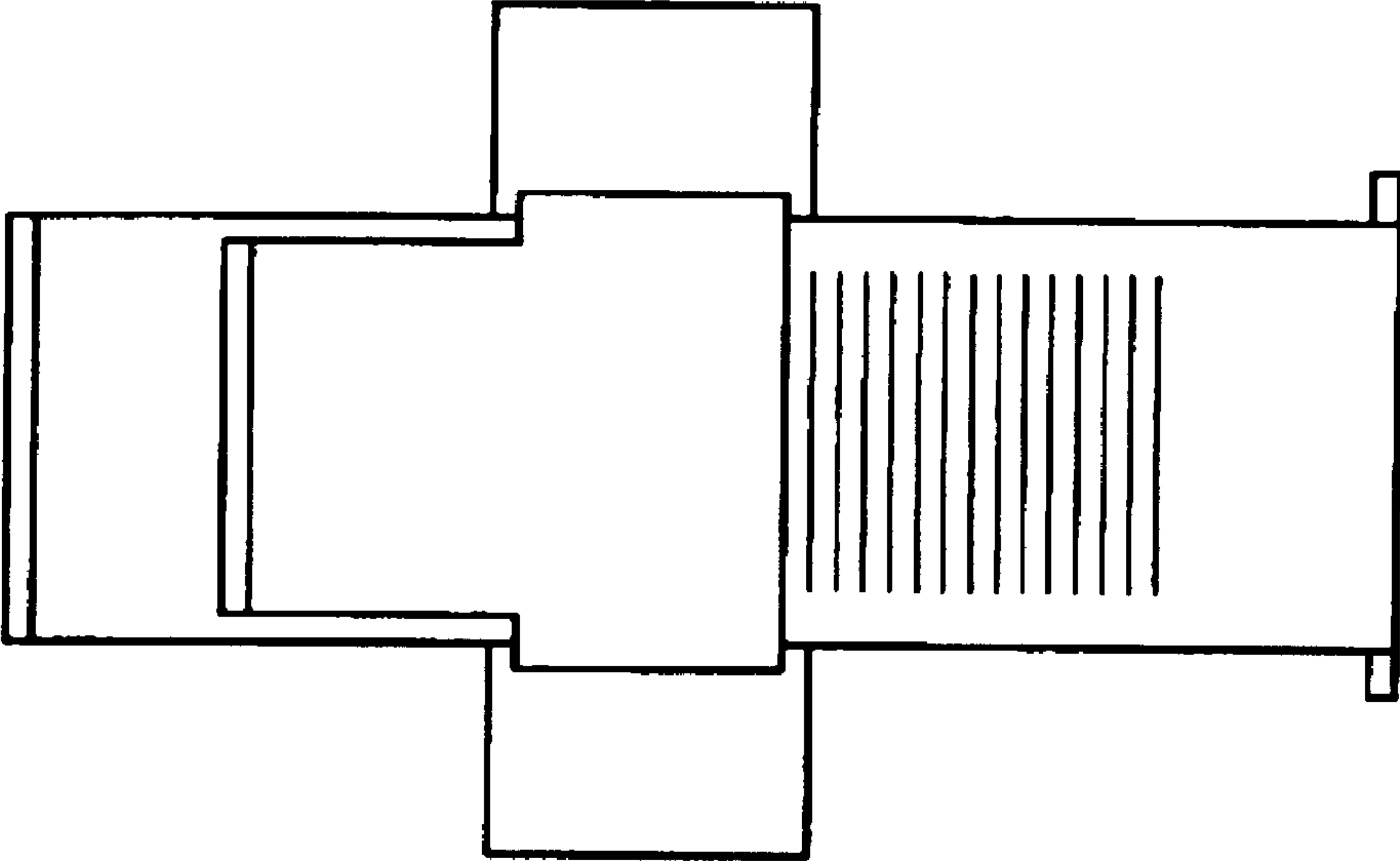


FIG. 3

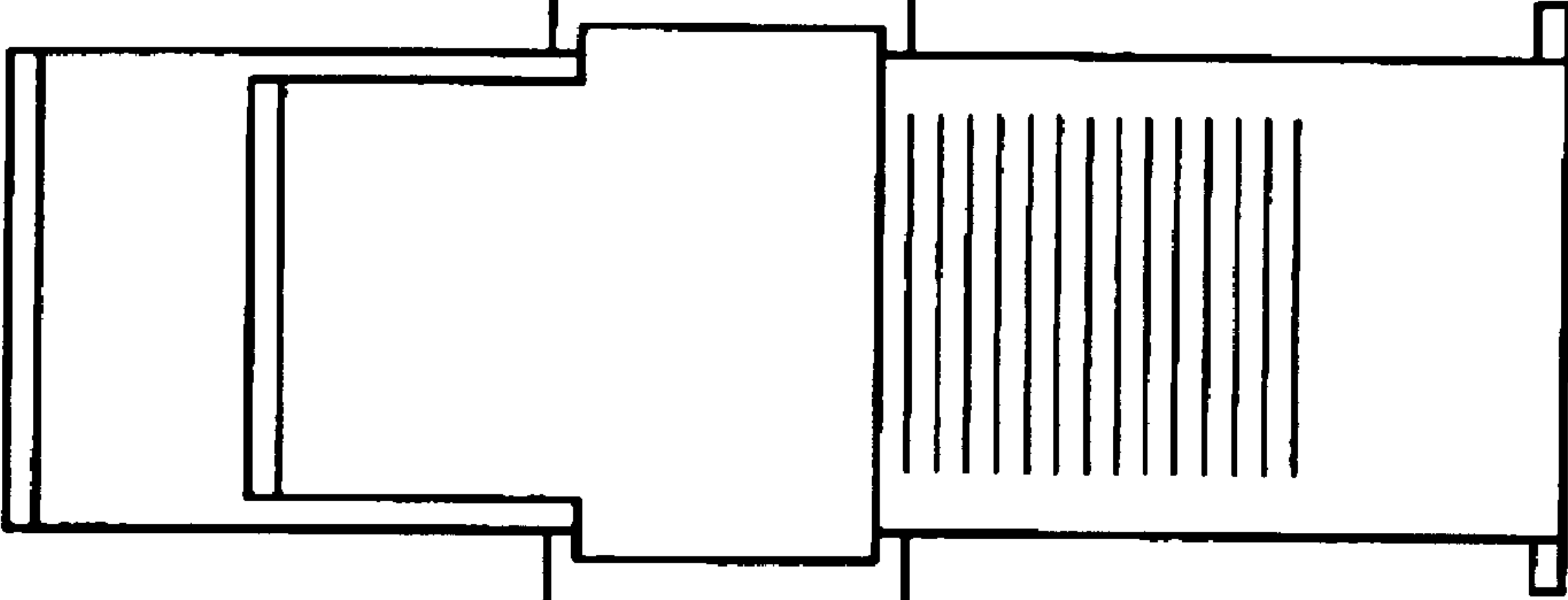


FIG. 4

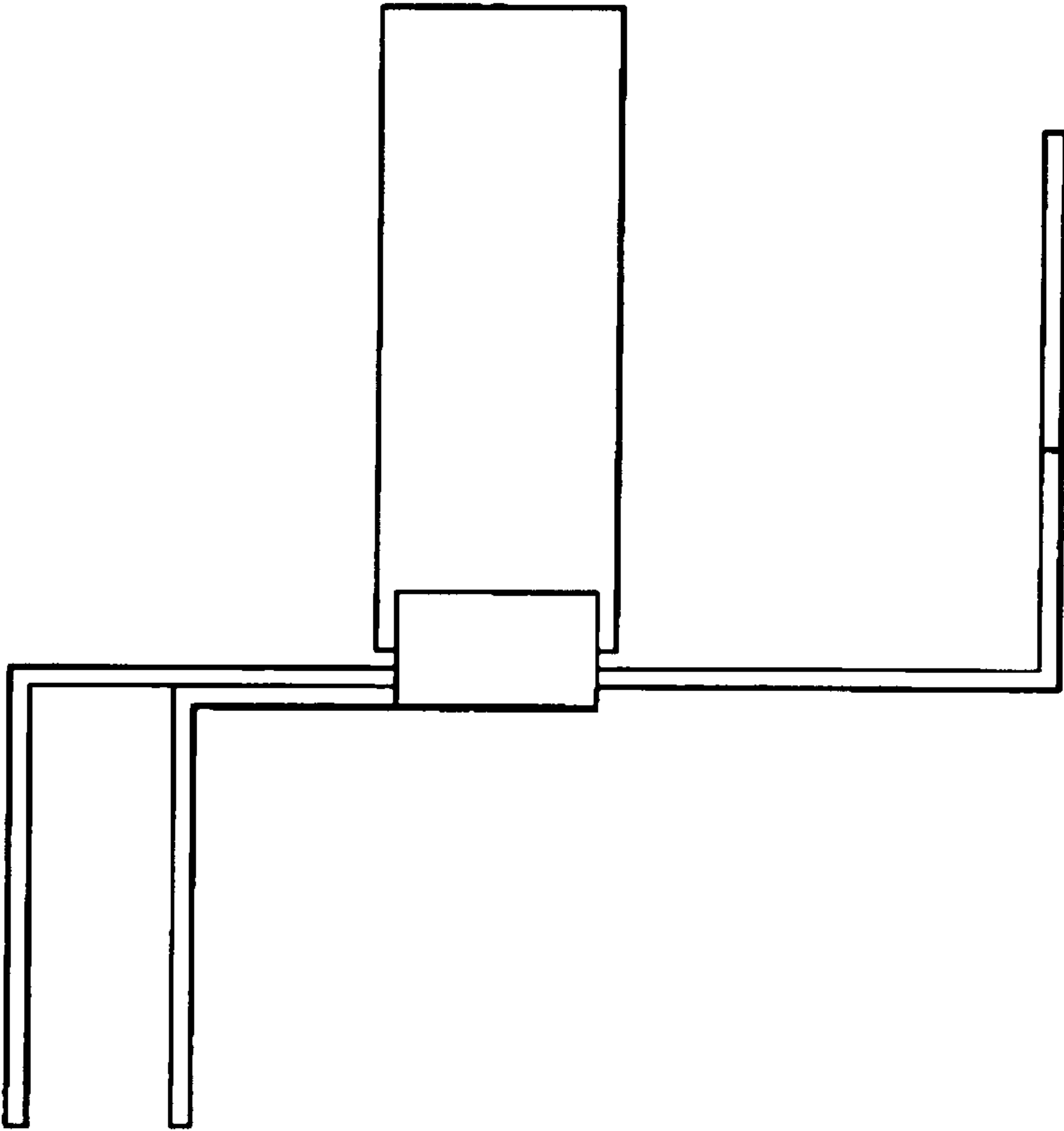


FIG. 5

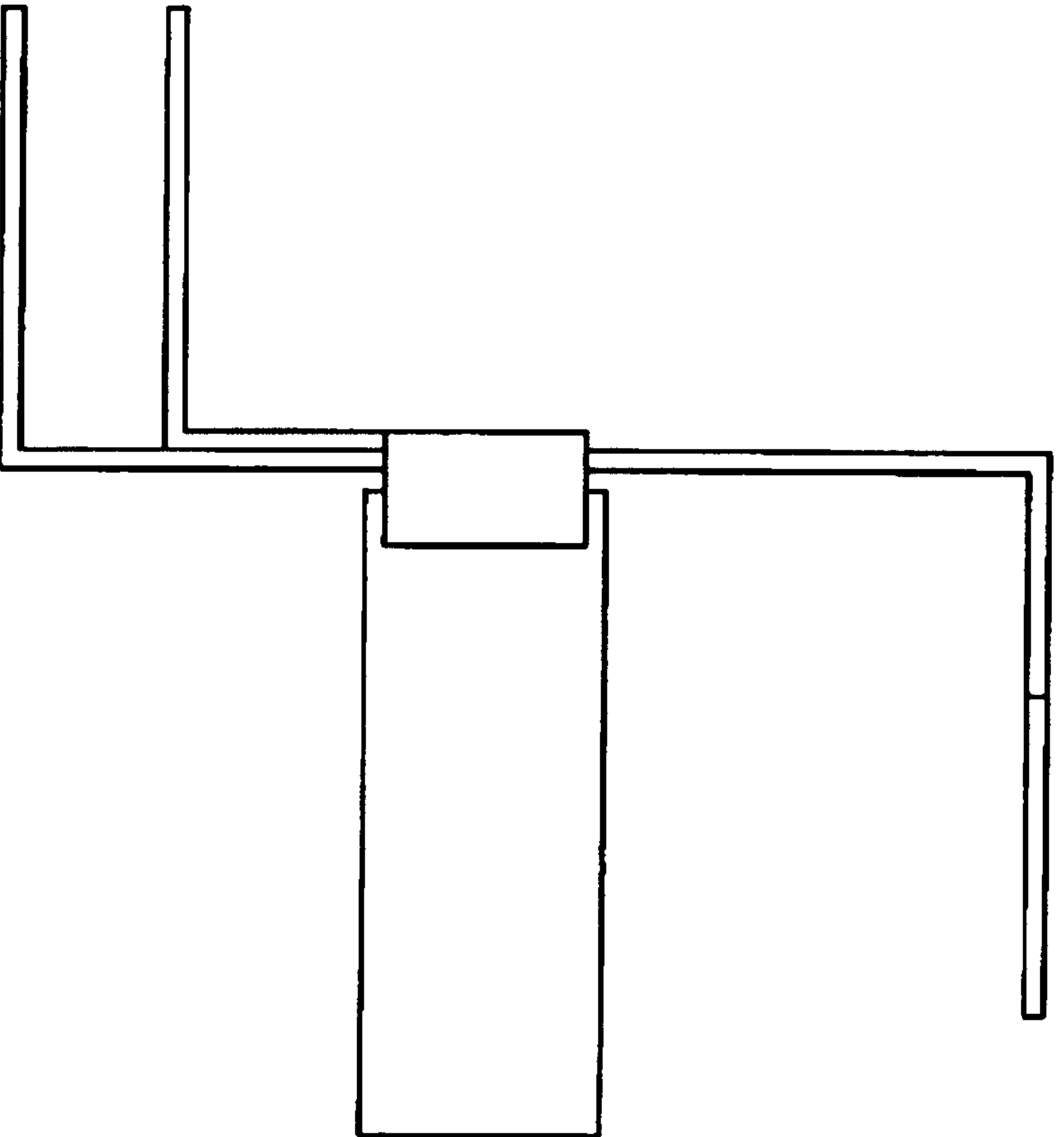


FIG. 6

FIG. 7

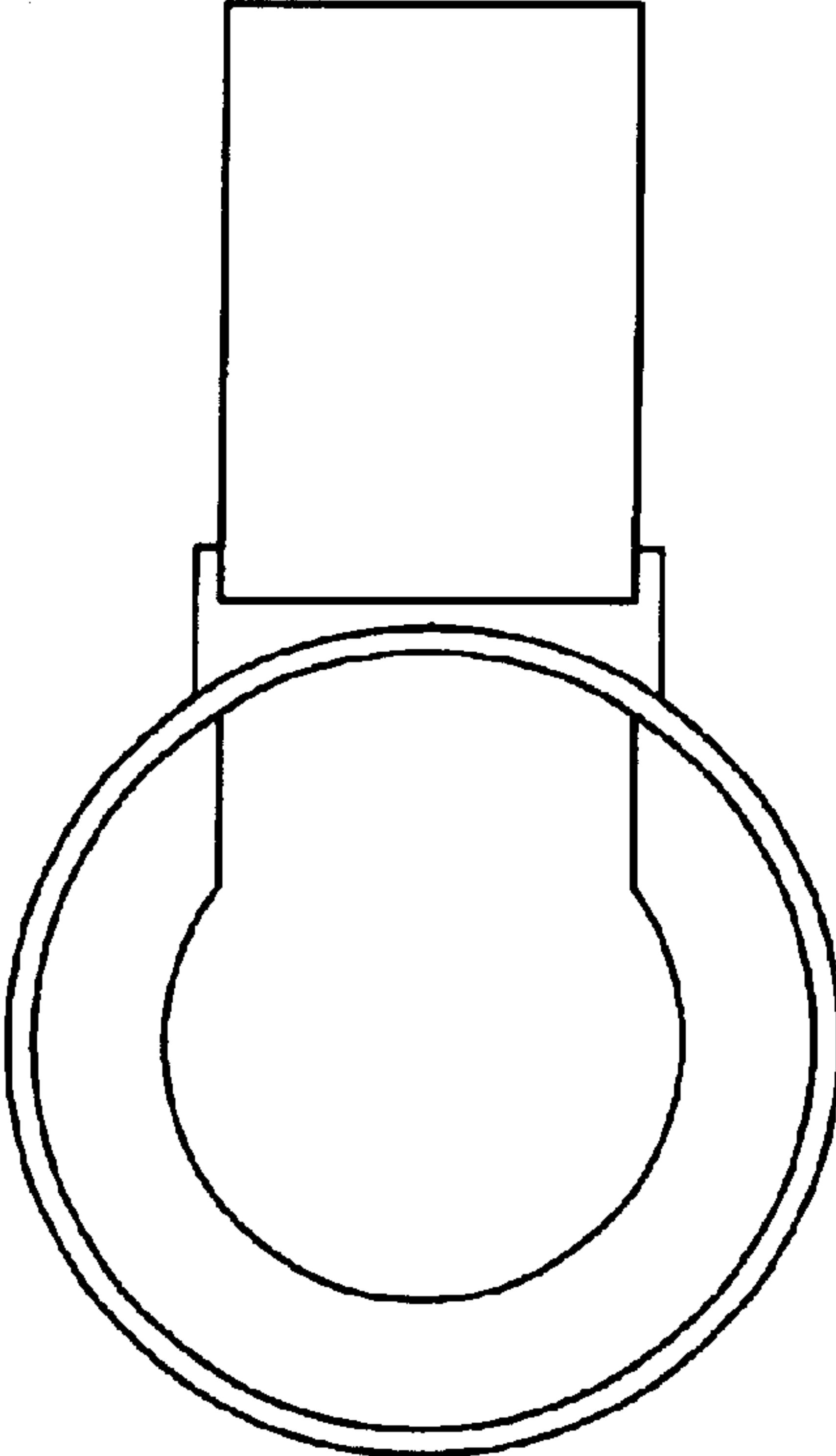
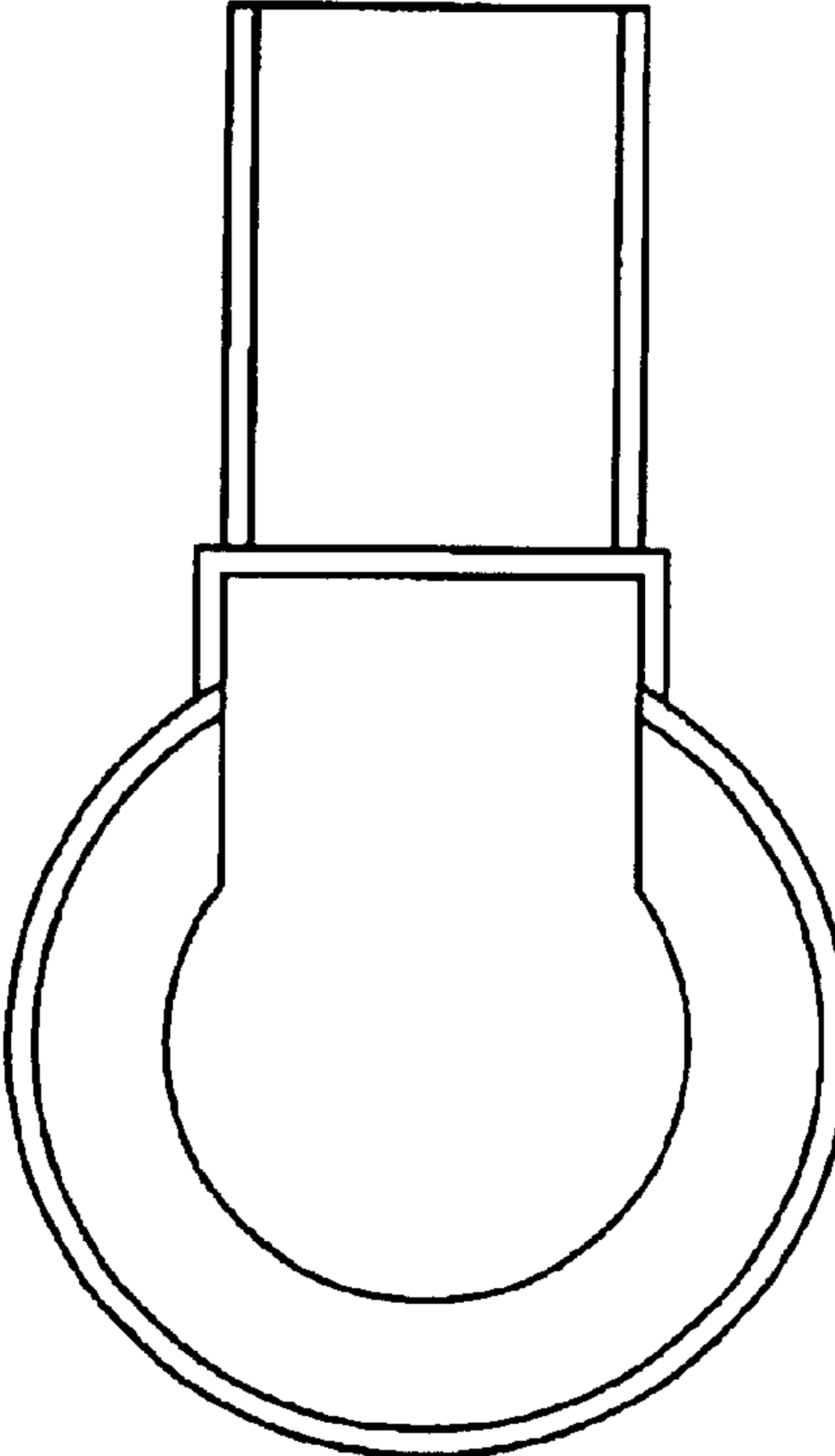


FIG. 8



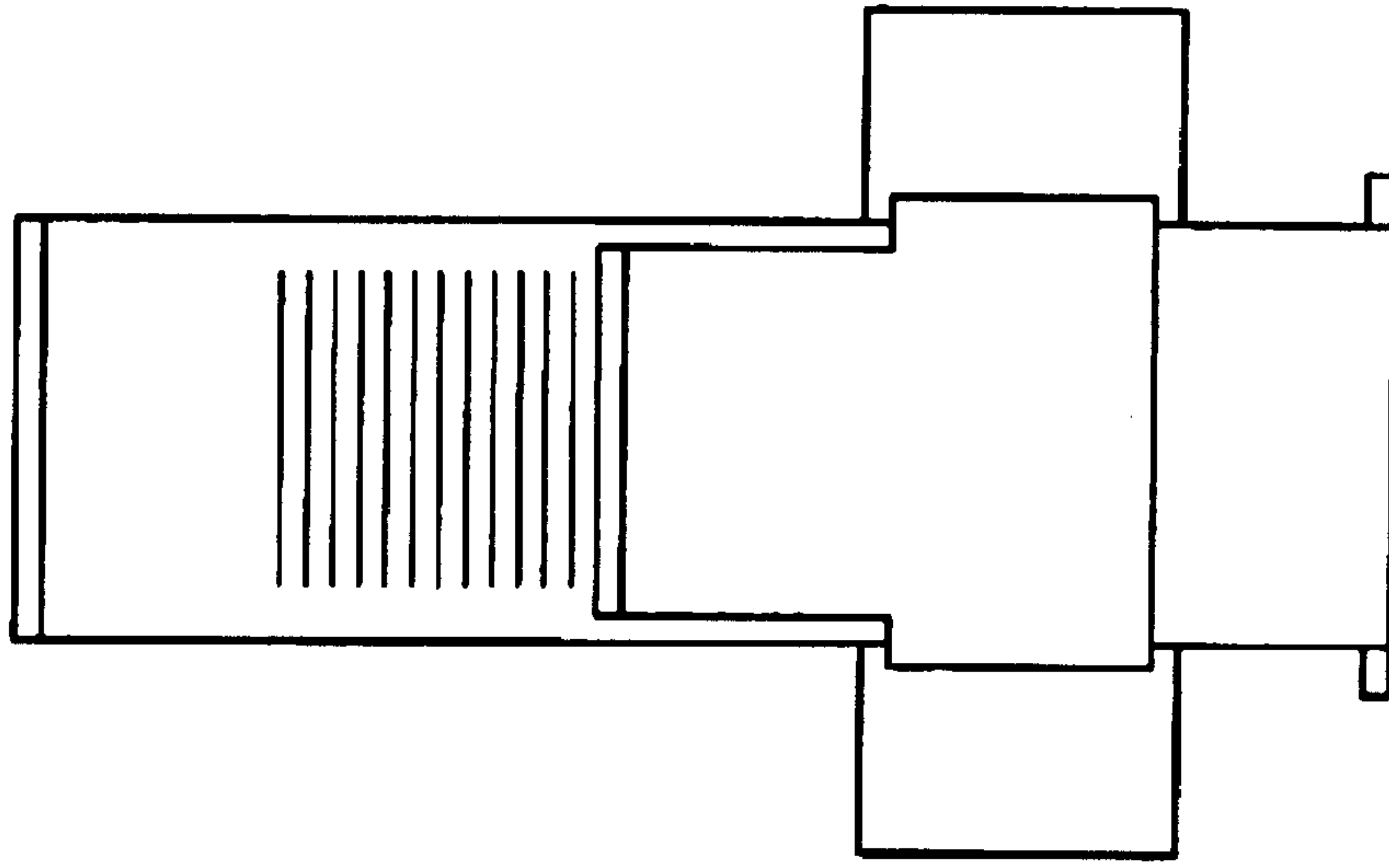


FIG. 10

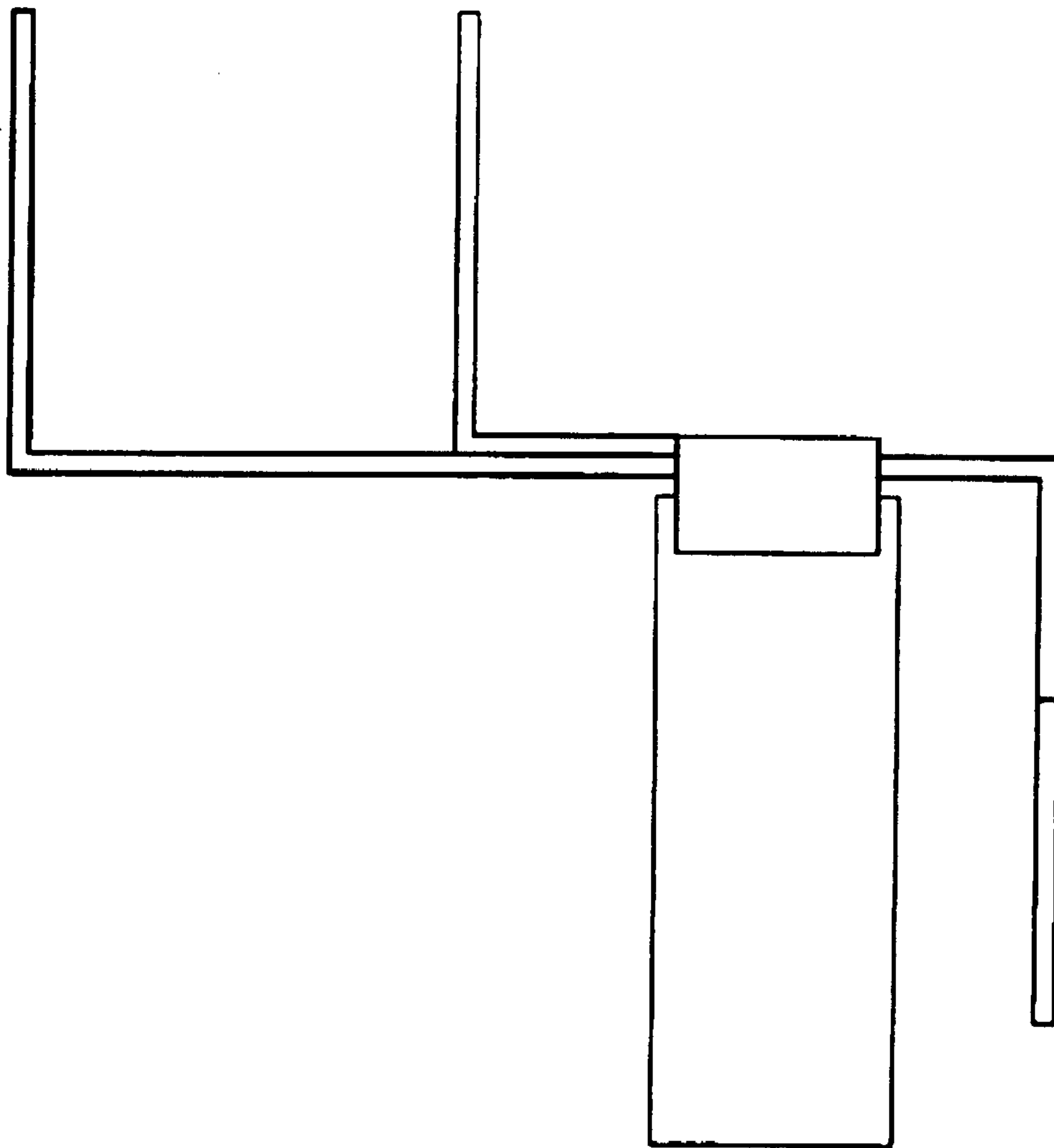


FIG. 9

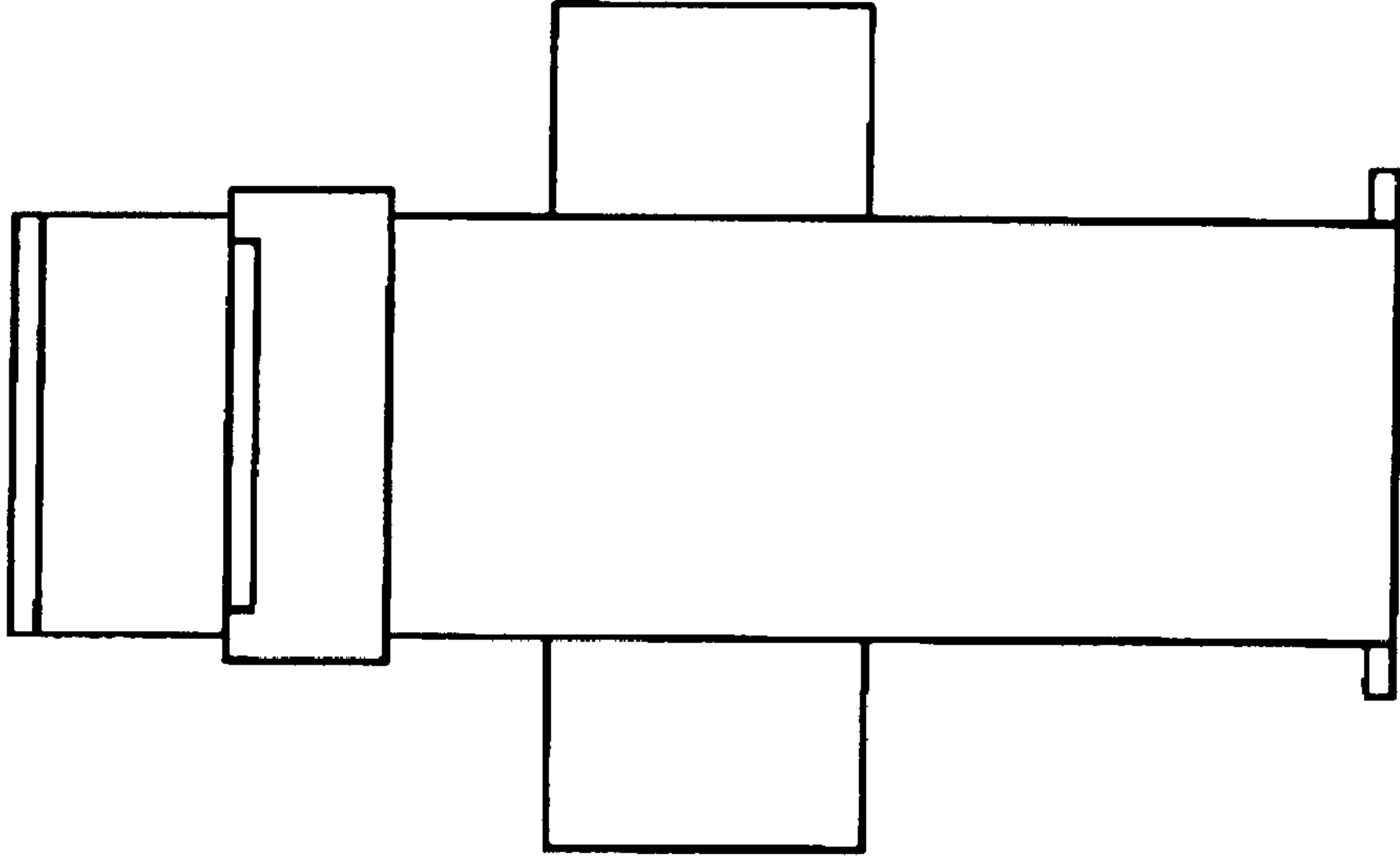


FIG. 11

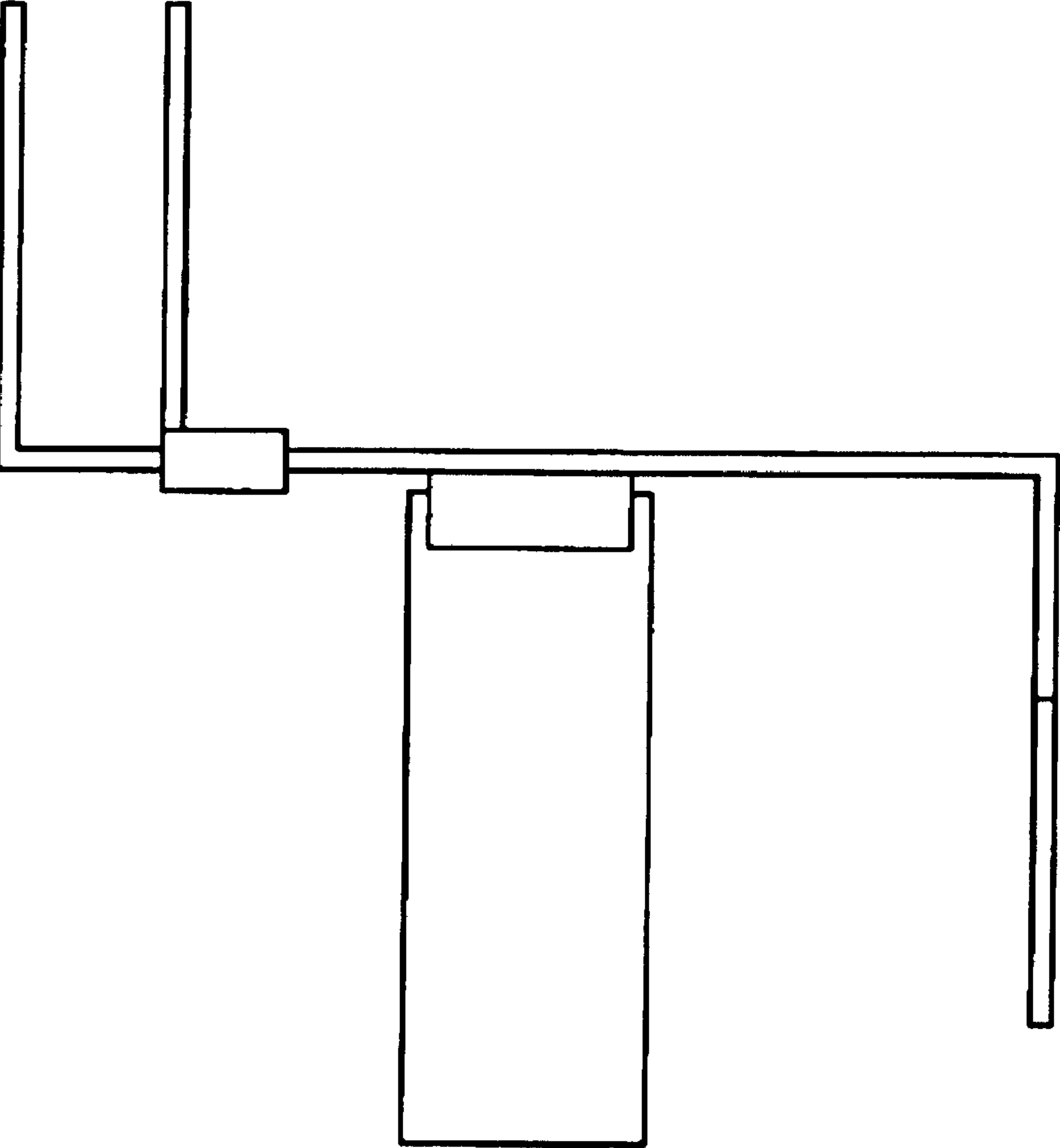


FIG. 12

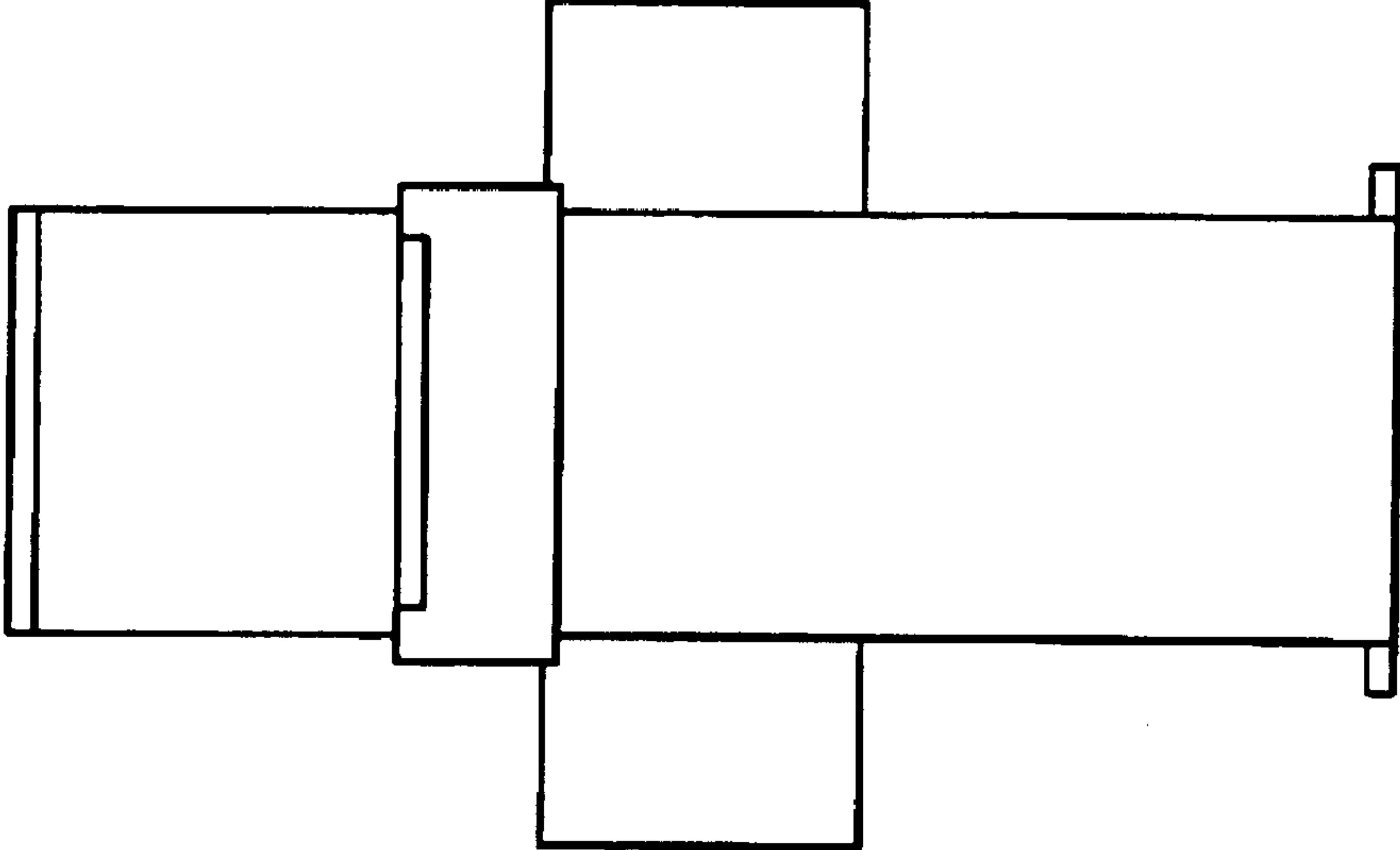


FIG. 14

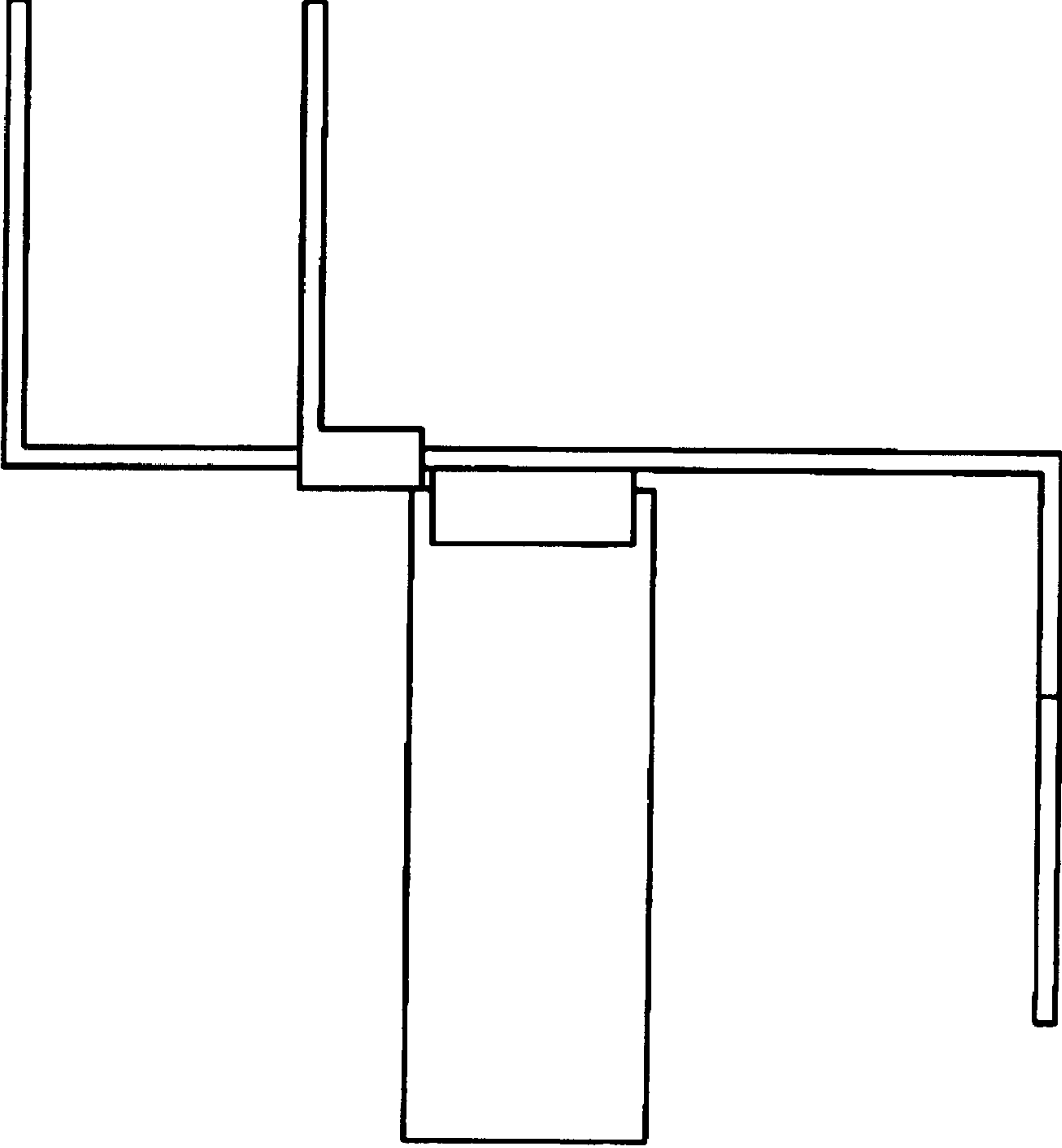


FIG. 13