

US00D493071S1

(12) **United States Design Patent** (10) **Patent No.:** **US D493,071 S**  
**Fasula et al.** (45) **Date of Patent:** **\*\* Jul. 20, 2004**

(54) **FROTHY BEER MUG COOLER**

(57) **CLAIM**

(76) Inventors: **Mark D. Fasula**, 1731 Jackie Rd.,  
Mosinee, WI (US) 54455; **Mark J.**  
**Totz**, 4676 Bedfordshire Dr., Loves  
Park, IL (US) 61111

We claim the ornamental design for a frothy beer mug cooler, as shown and described.

(\*\*) Term: **14 Years**

**DESCRIPTION**

(21) Appl. No.: **29/168,957**

FIG. 1 is an enlarged isometric top rear view of an embodi-  
ment of the present invention;  
FIG. 2 is a front view thereof;  
FIG. 3 is bottom view thereof;  
FIG. 4 is a right side view thereof;  
FIG. 5 is a left side view thereof;  
FIG. 6 is a back view thereof;  
FIG. 7 is a top view thereof.

(22) Filed: **Oct. 11, 2002**

(51) **LOC (7) Cl.** ..... **07-01**

(52) **U.S. Cl.** ..... **D7/606; D7/623**

(58) **Field of Search** ..... D7/605-608, 619.1-625,  
D7/509, 533-536; 62/457.1-457.7, 371,  
372; 220/592.03, 592.09, 915.1, 915.2;  
215/12.1, 12.2, 13.1, 6

FIG. 8 is an unassembled enlarged isometric top rear view  
thereof;  
FIG. 9 is an unassembled front view thereof;  
FIG. 10 is an unassembled bottom view thereof;  
FIG. 11 is an unassembled right side view thereof;  
FIG. 12 is an unassembled left side view thereof;  
FIG. 13 is an unassembled back view thereof;  
FIG. 14 is an unassembled top view thereof;  
FIG. 15 a cross-section view of the lid portion thereof;  
FIG. 16 a cross-section view of the lid portion in an  
alternative embodiment;  
FIG. 17 a top view of the lid portion shown in FIG. 15;  
FIG. 18 is a top view of the lid portion shown in FIG. 16;  
FIG. 19 is a front view of the bottom portion in a first  
alternative embodiment;  
FIG. 20 is a front view of the bottom portion in a second  
alternative embodiment;  
FIG. 21 is a front view of the bottom portion in a third  
alternative embodiment; and,  
FIG. 22 is a front view of the bottom portion in a fourth  
alternative embodiment.

(56) **References Cited**

**U.S. PATENT DOCUMENTS**

D4,707 S	3/1871	Ladner	
D200,812 S	4/1965	Schmidt	
3,680,330 A	8/1972	Canosa	
D230,239 S	2/1974	Dodge	
D245,138 S	7/1977	Iwashita	
D247,540 S	3/1978	Iwashita	
D290,571 S	* 6/1987	Rowe	..... D7/622
4,928,848 A	5/1990	Ballway	
5,040,719 A	8/1991	Ballway	
5,067,328 A	11/1991	Medina et al.	
D336,825 S	* 6/1993	Ivey	..... D7/605
5,739,758 A	4/1998	Driska et al.	
6,050,414 A	4/2000	Saffron et al.	
D431,160 S	9/2000	Stadtler, II	
6,140,932 A	10/2000	Frank et al.	

The lid and bottom portion are shown separately for clarity of illustration.

\* cited by examiner

*Primary Examiner*—Terry A. Wallace

(74) *Attorney, Agent, or Firm*—Leydig, Voit & Mayer, Ltd.

**1 Claim, 12 Drawing Sheets**

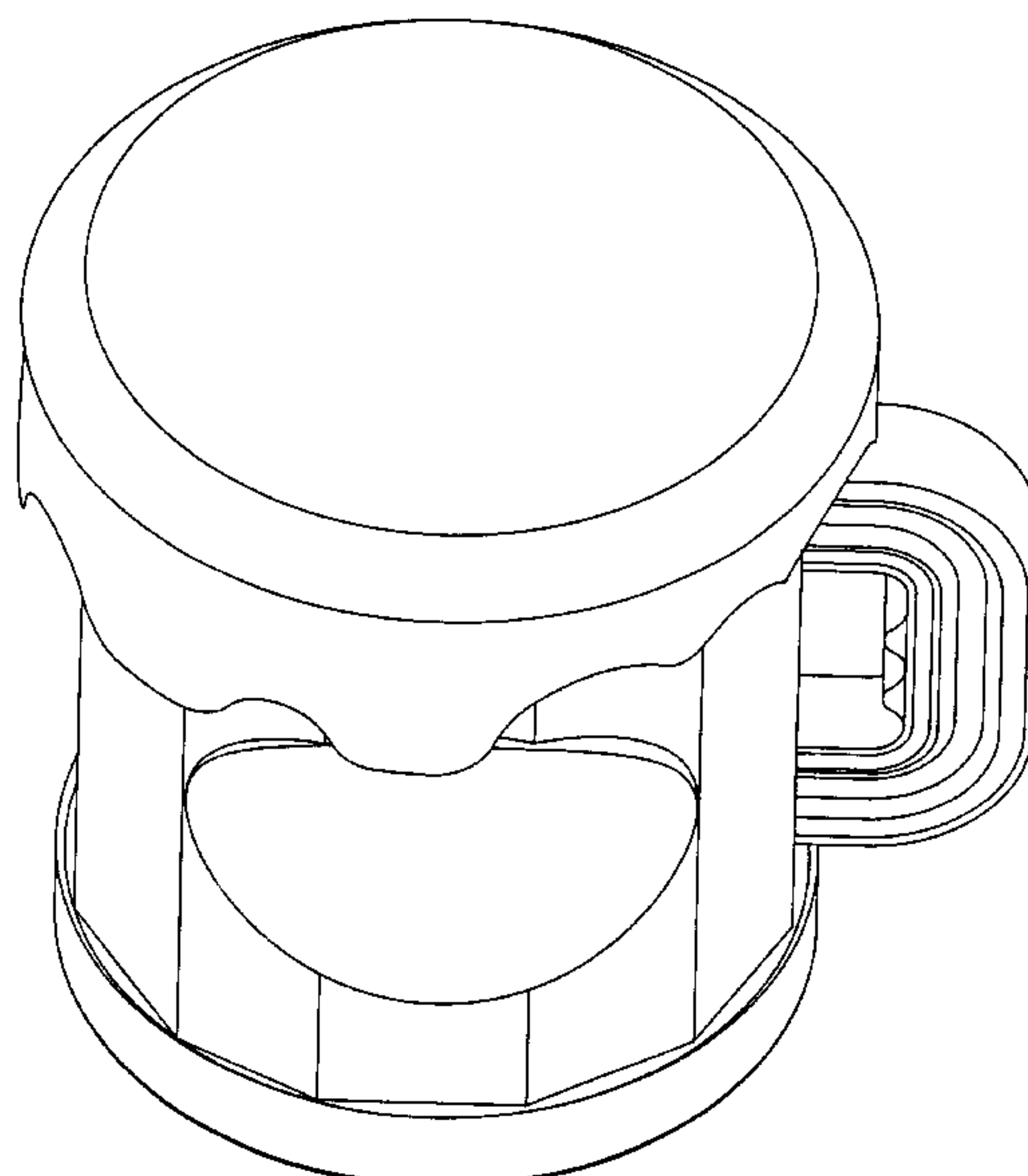


FIG. 1

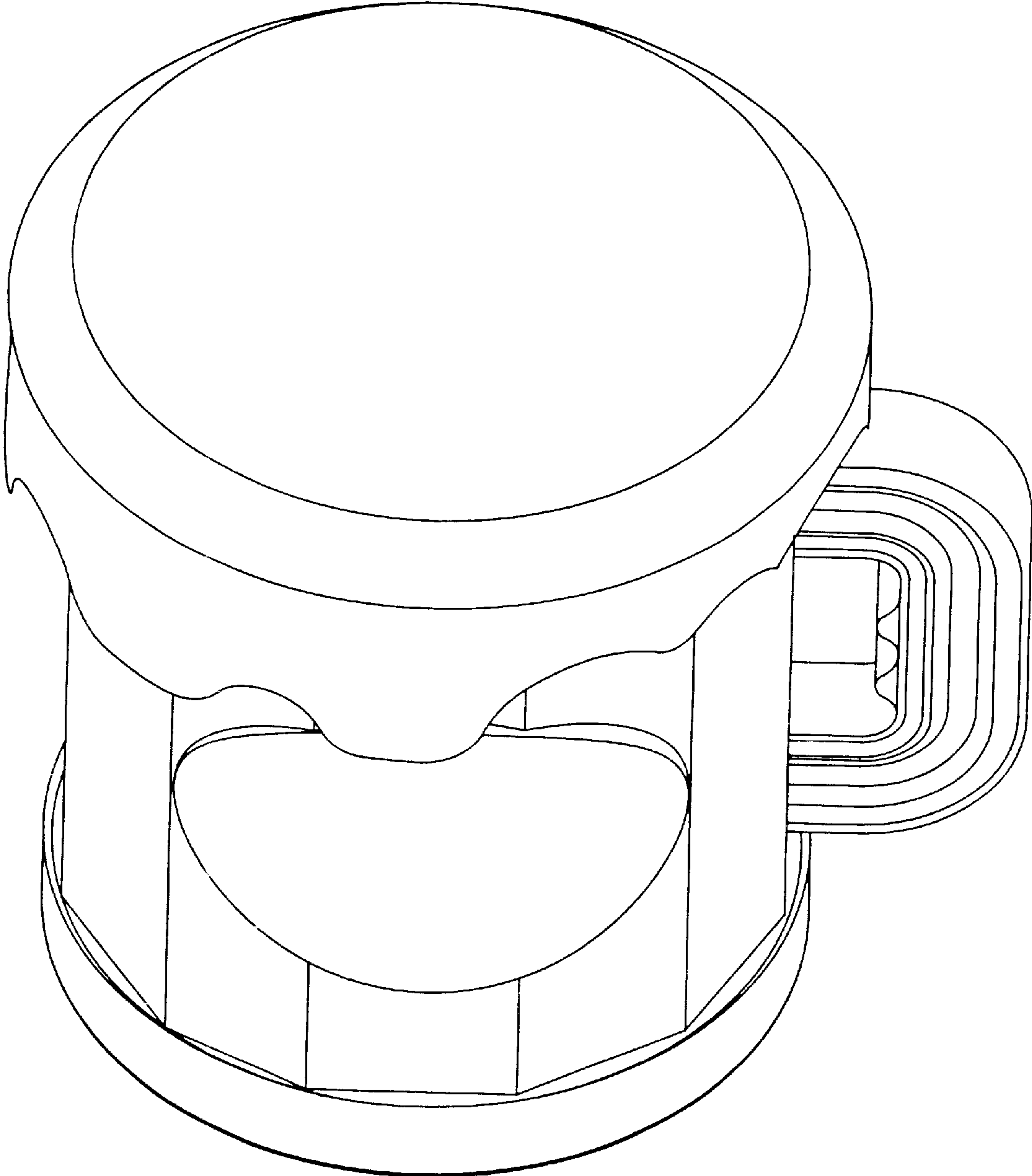


FIG. 2

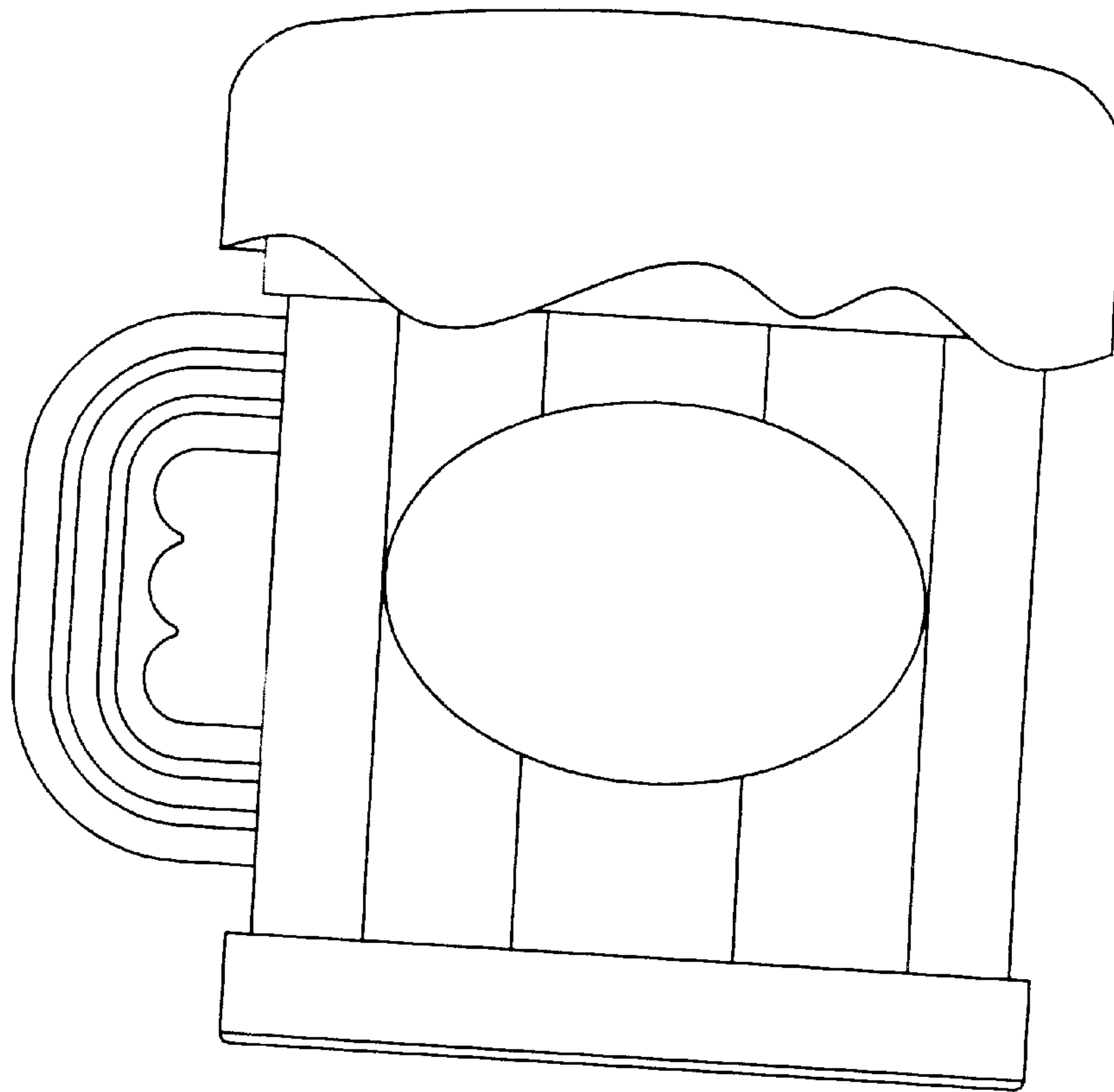


FIG. 3

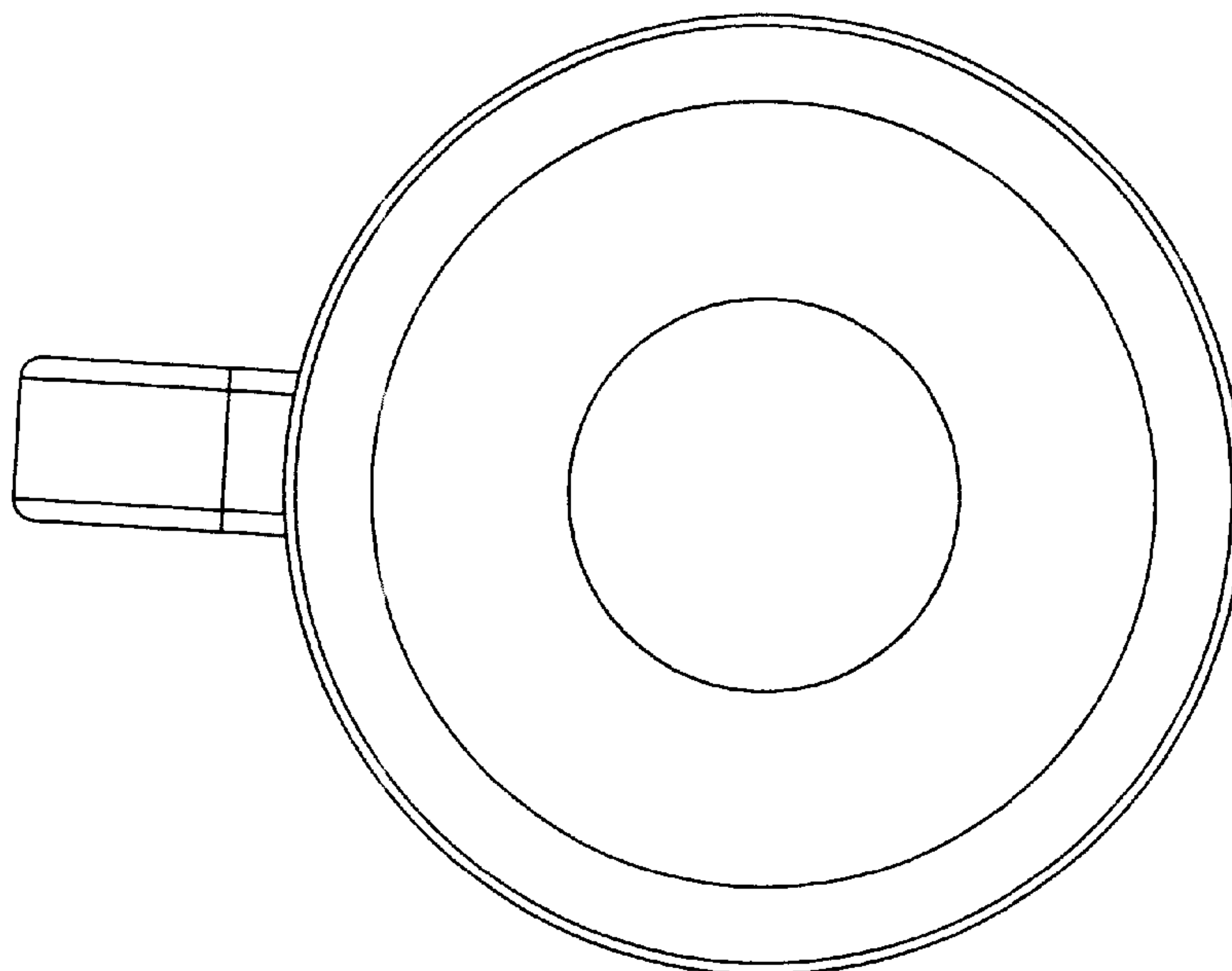


FIG. 5

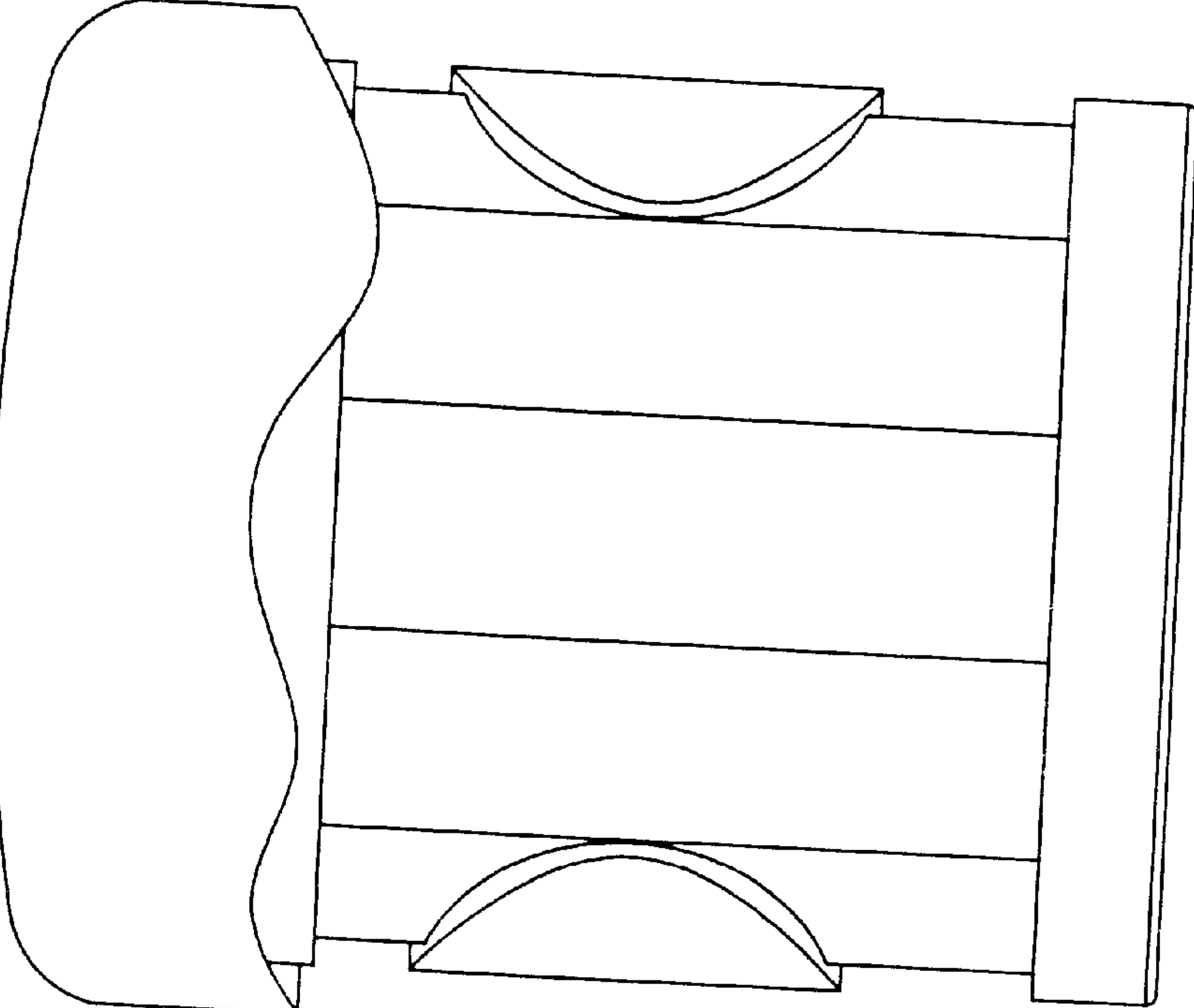


FIG. 4

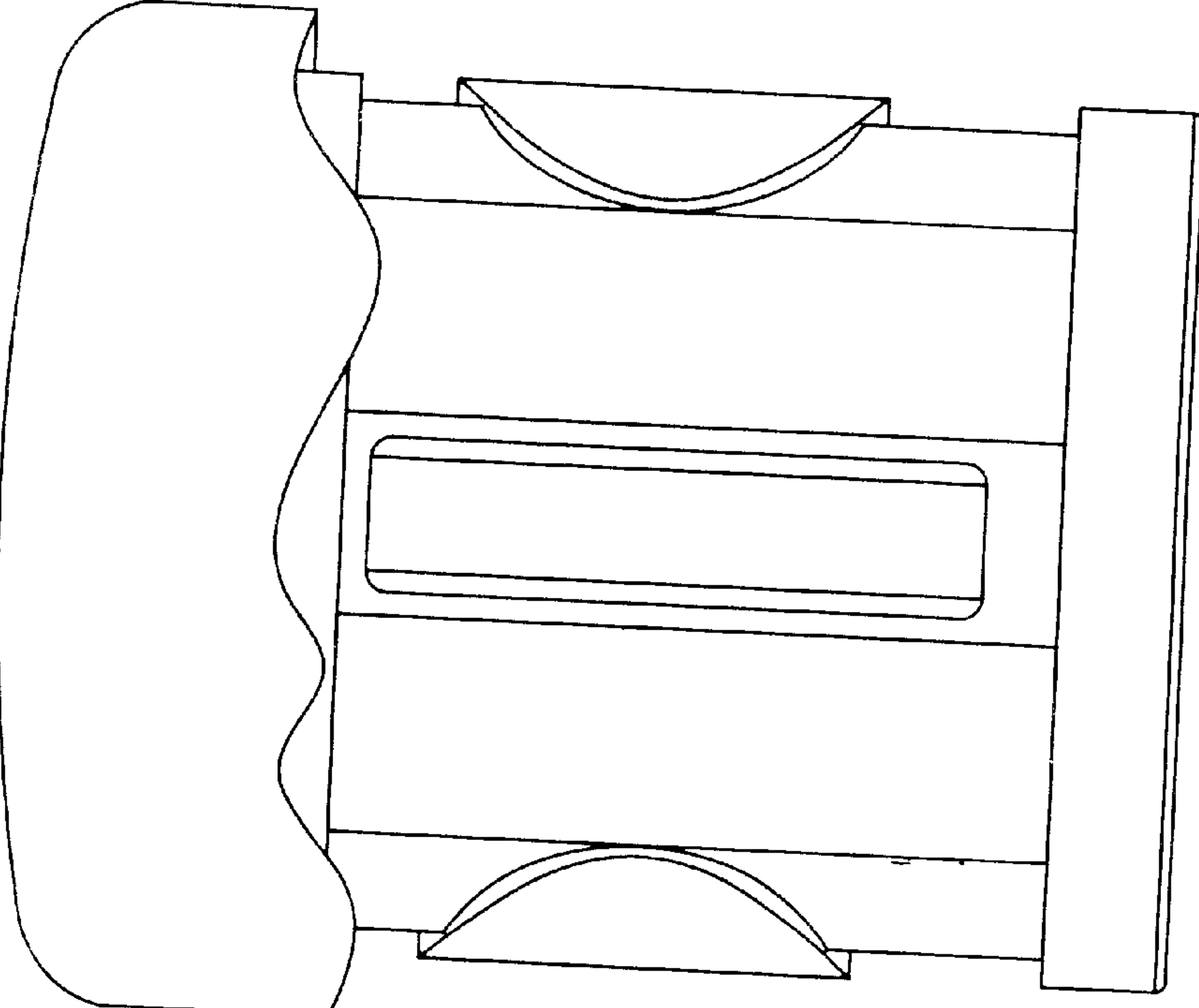


FIG. 6

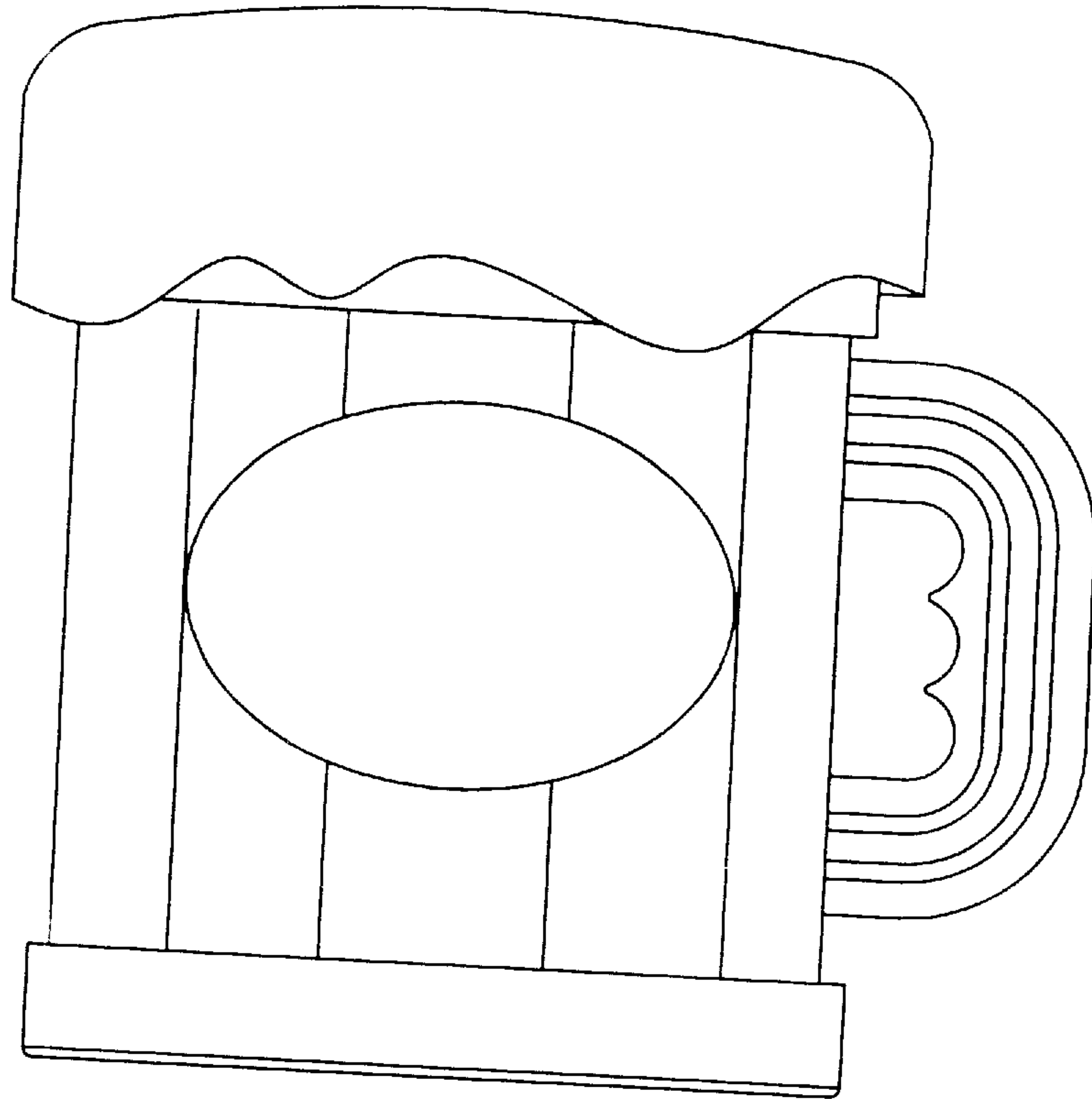
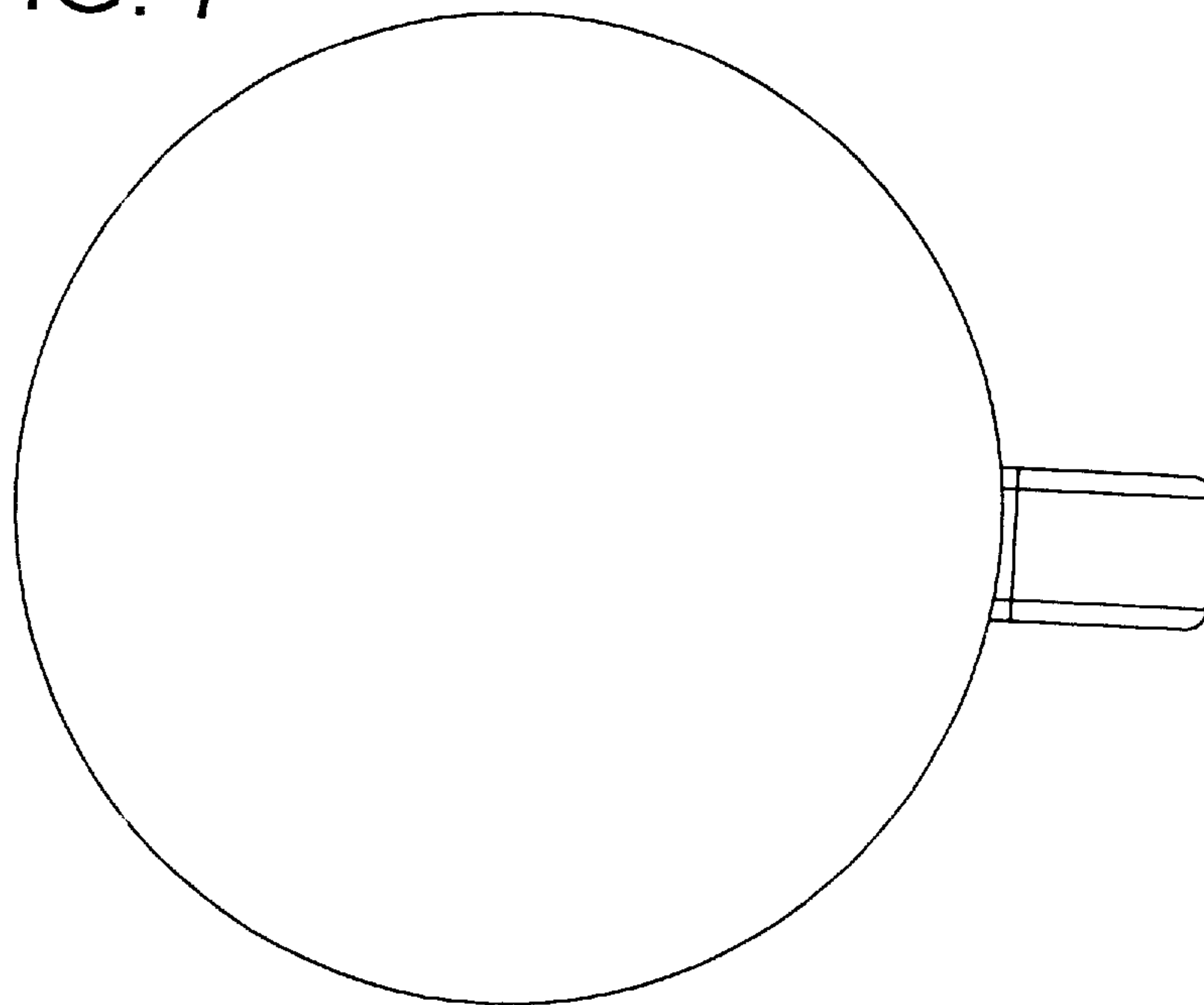


FIG. 7



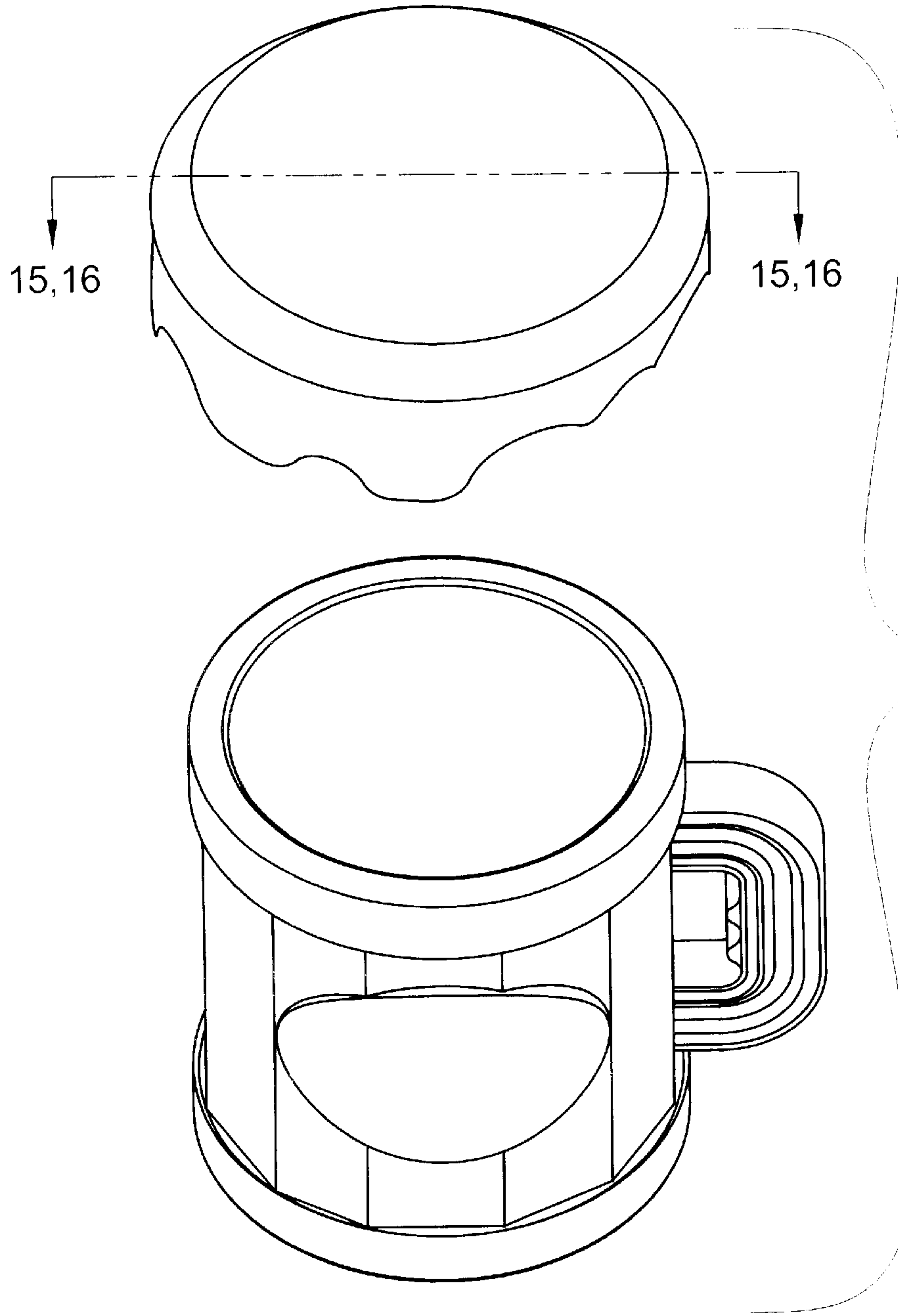


FIG. 8



FIG. 9

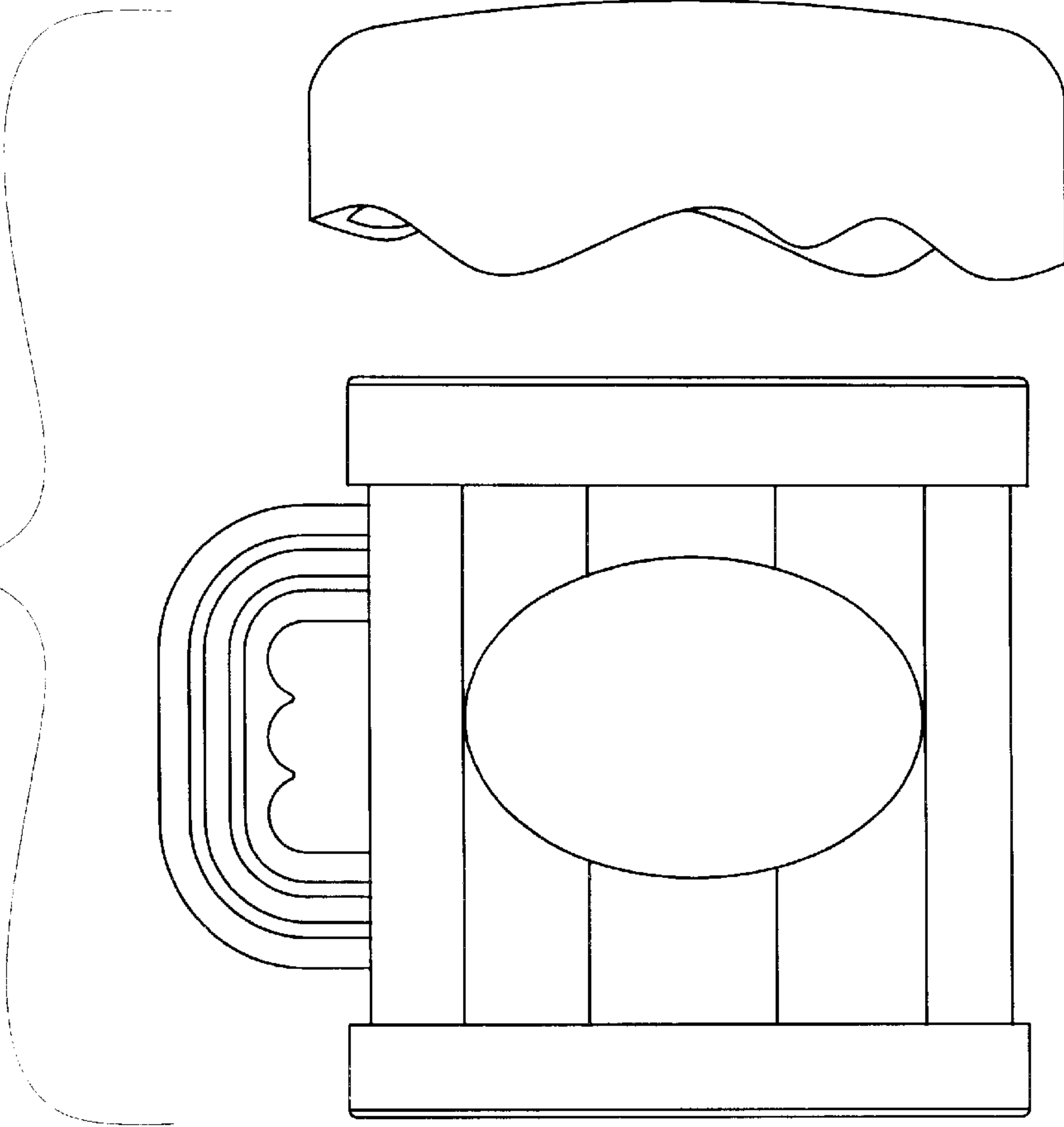


FIG. 10

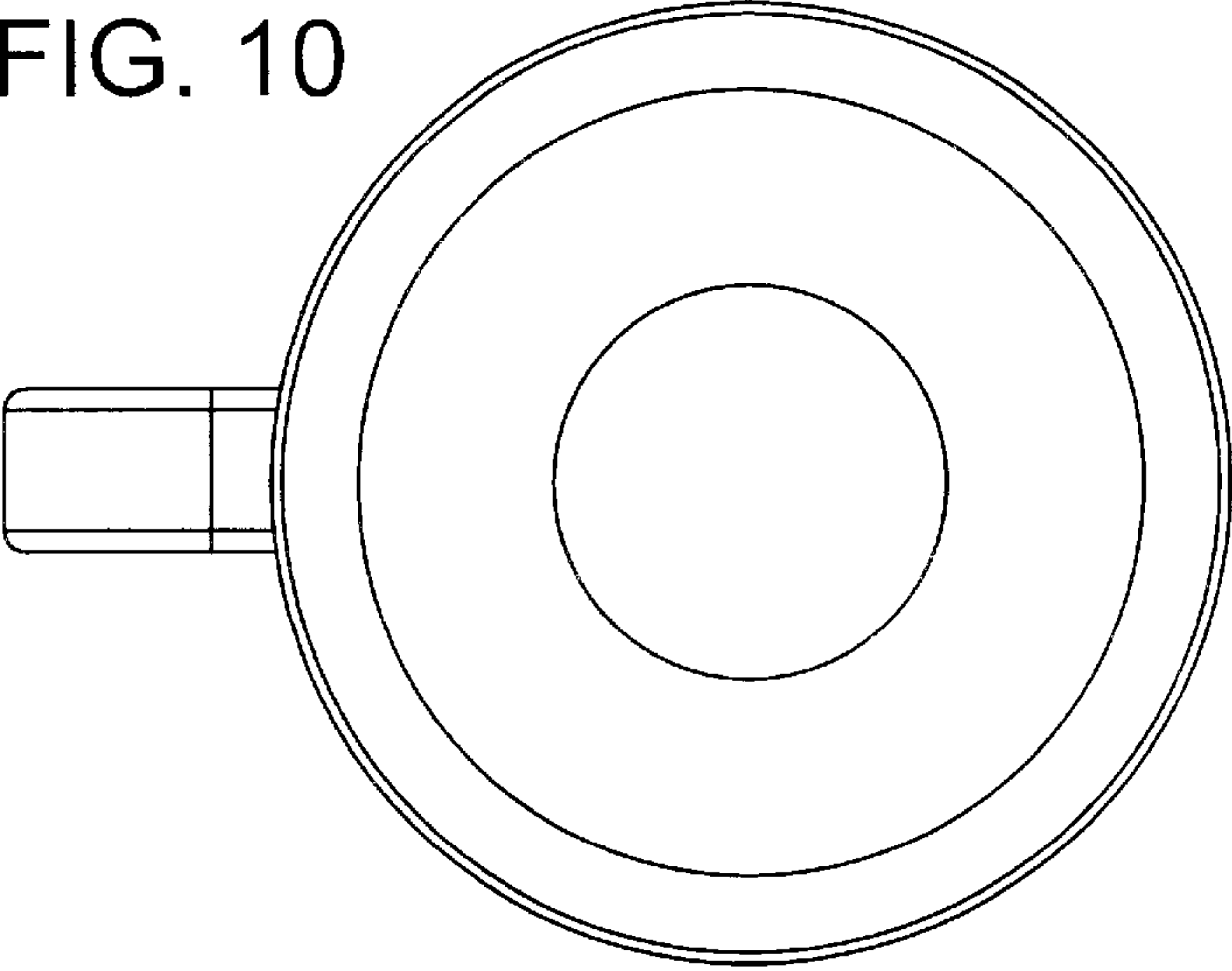


FIG. 11

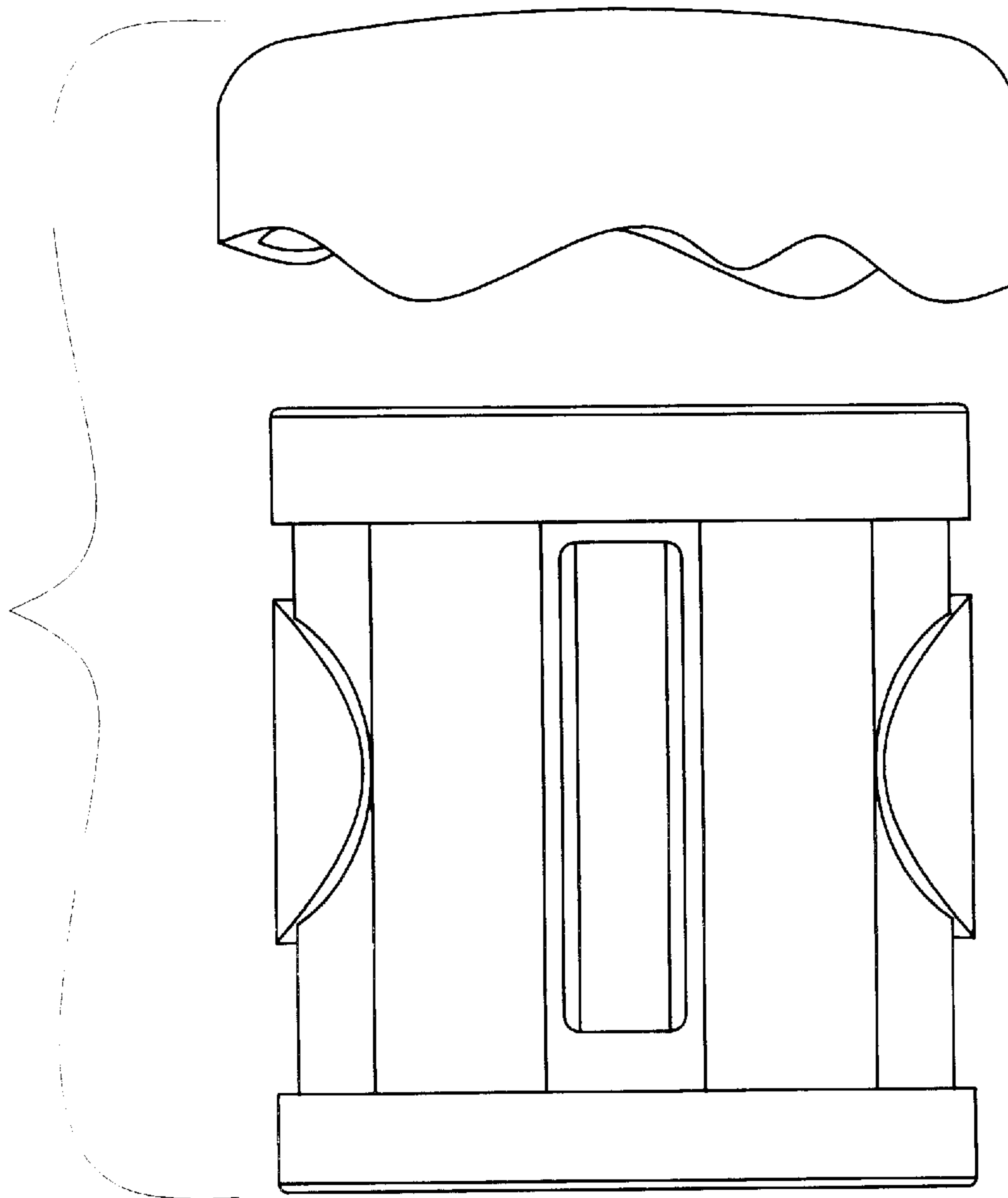
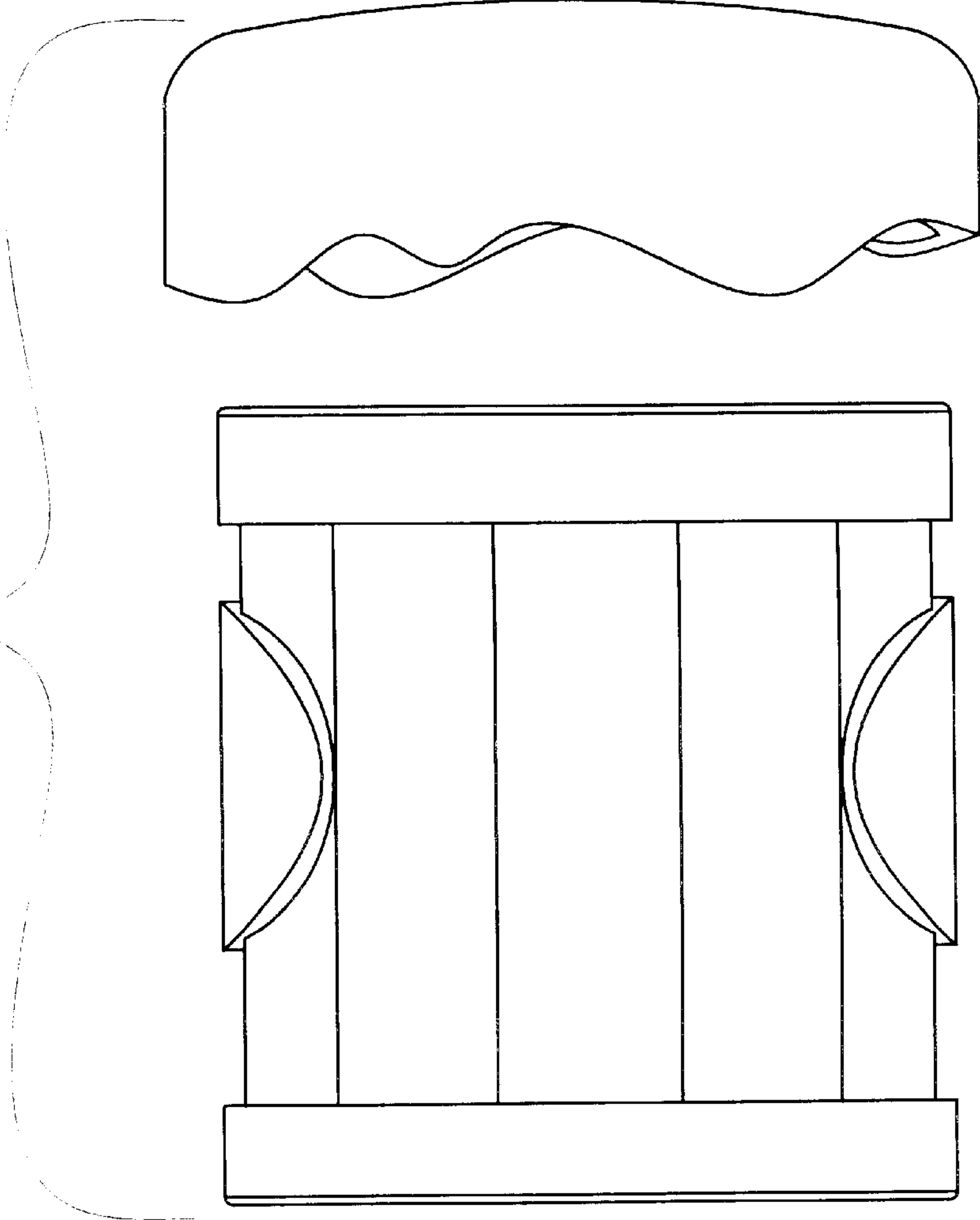




FIG. 12



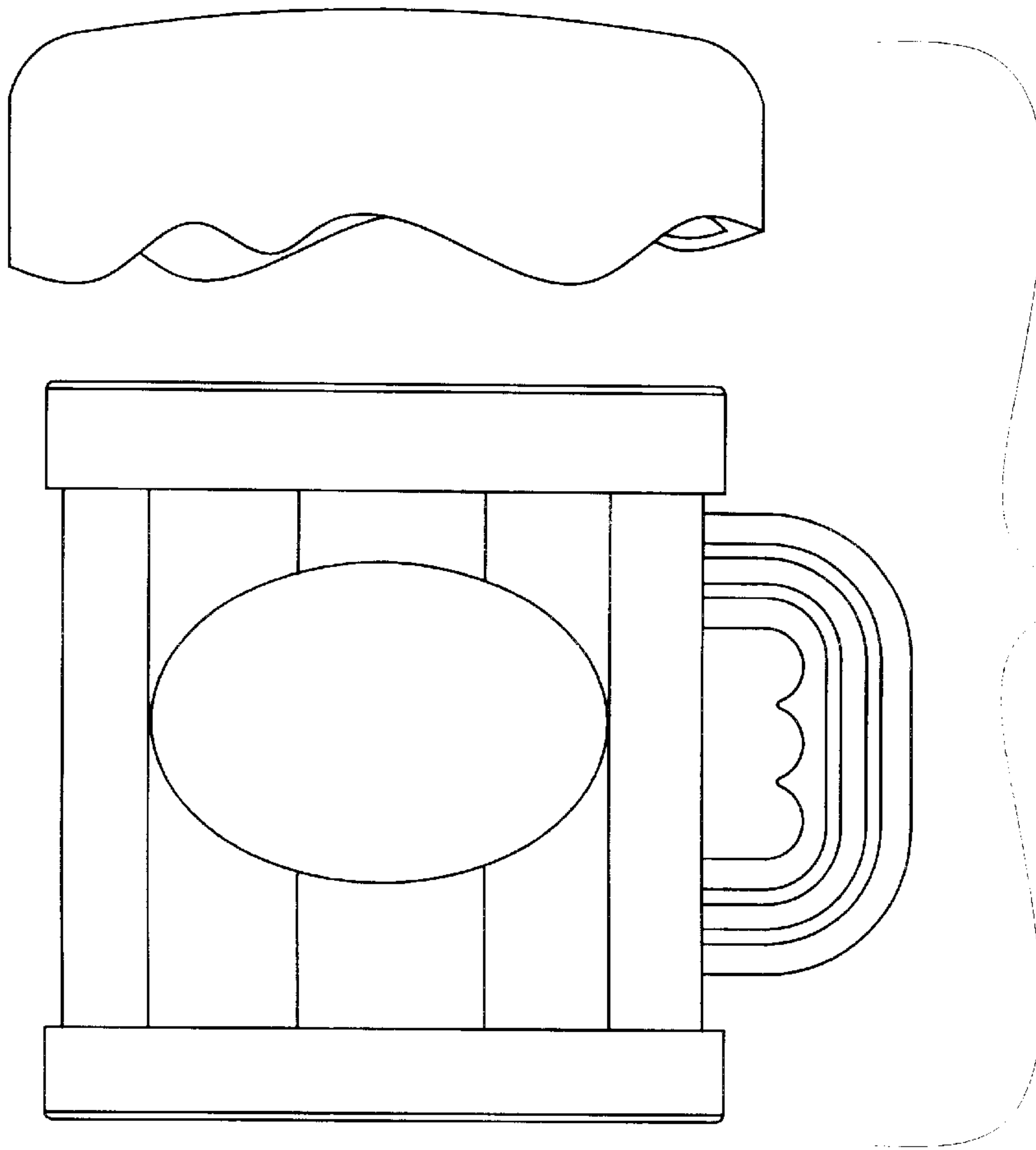


FIG. 13

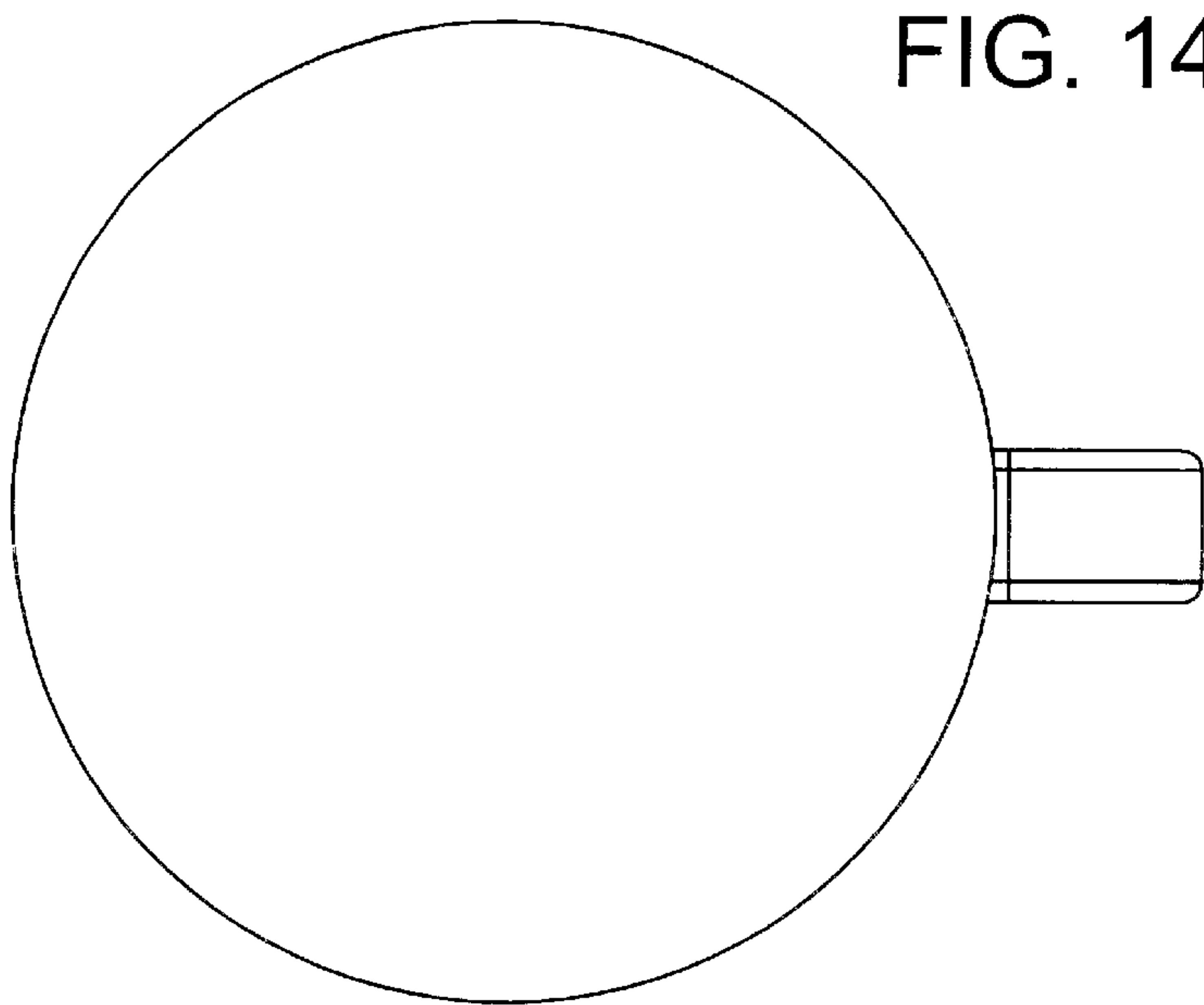


FIG. 14

FIG. 15

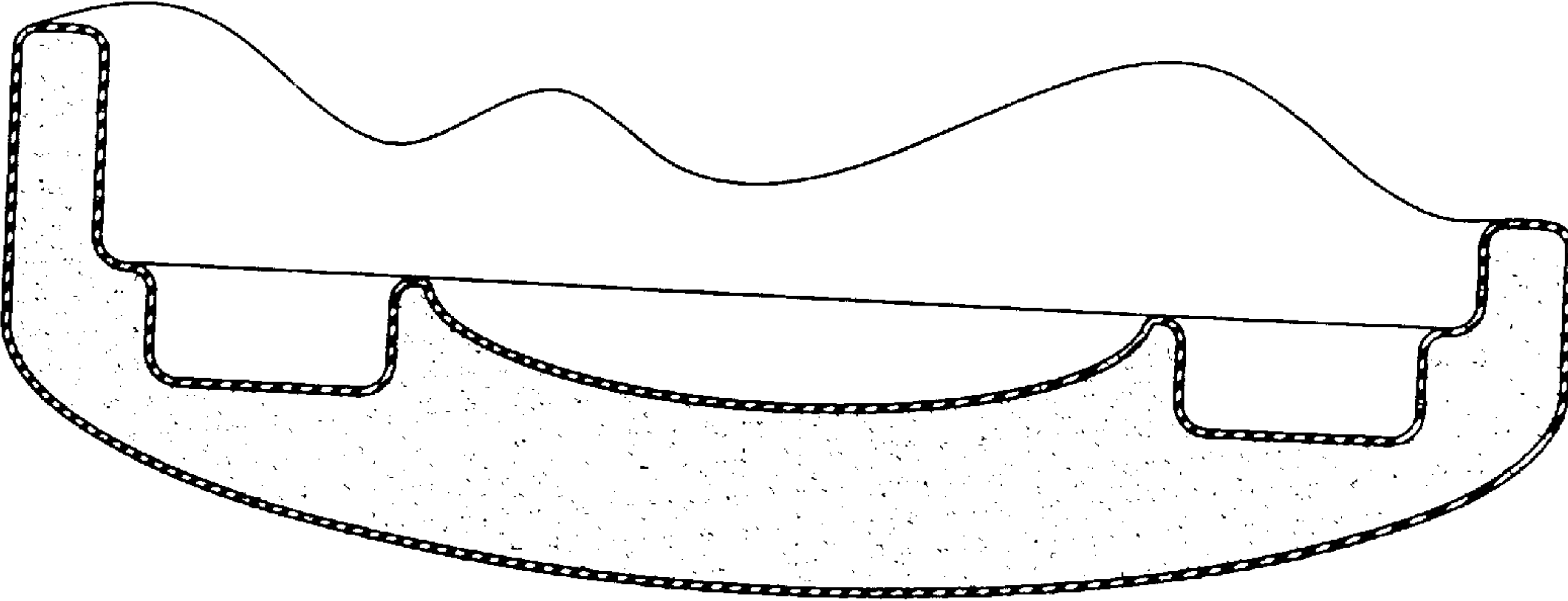


FIG. 16

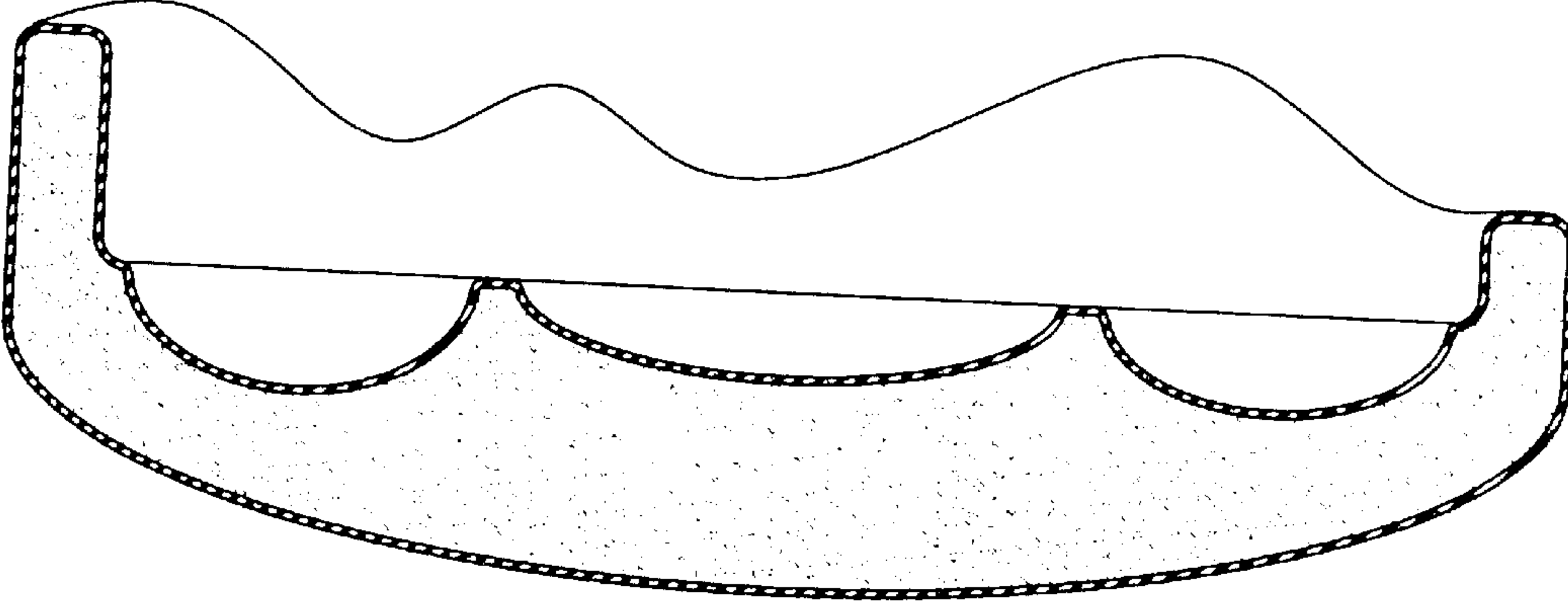


FIG. 17

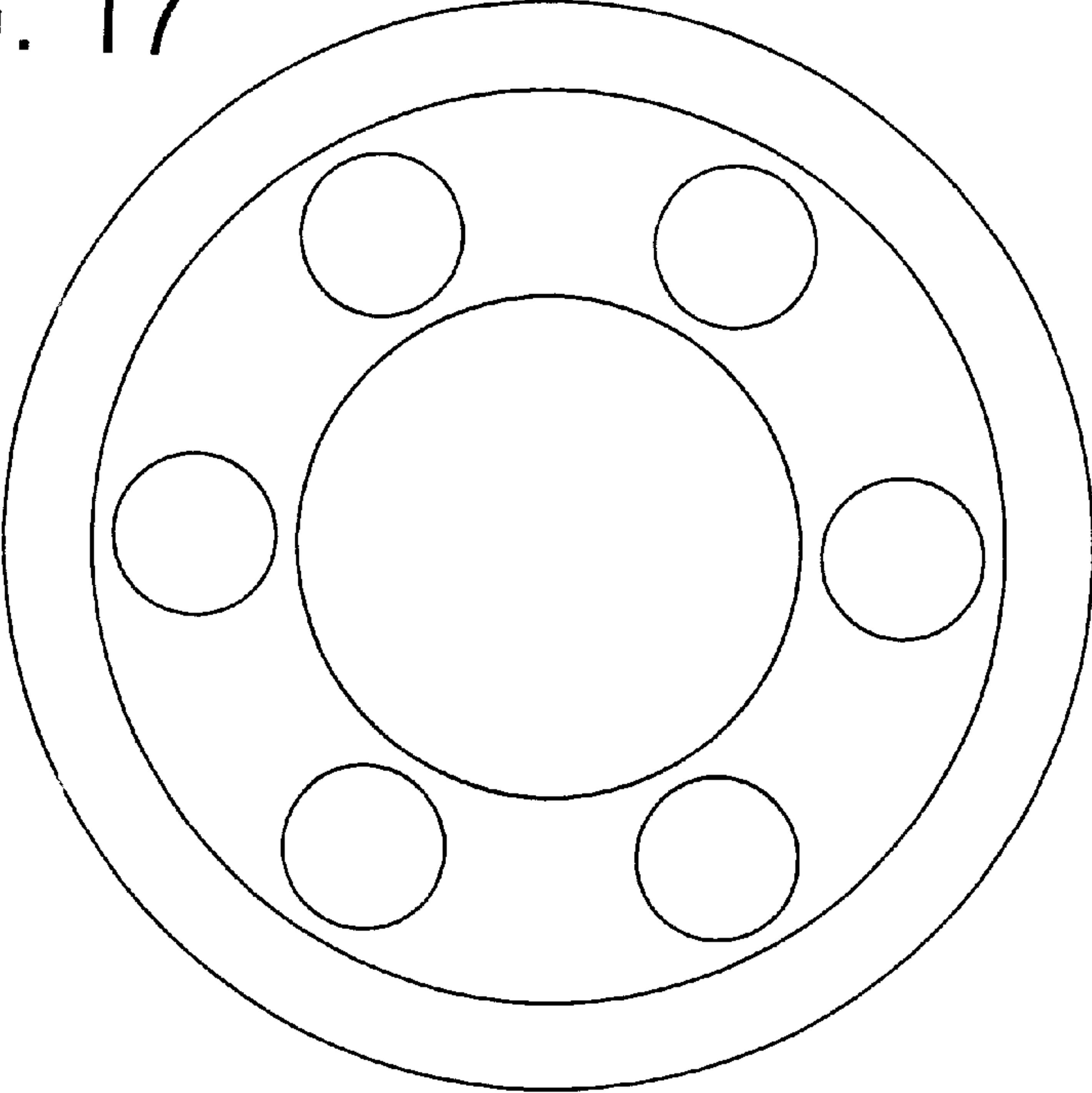
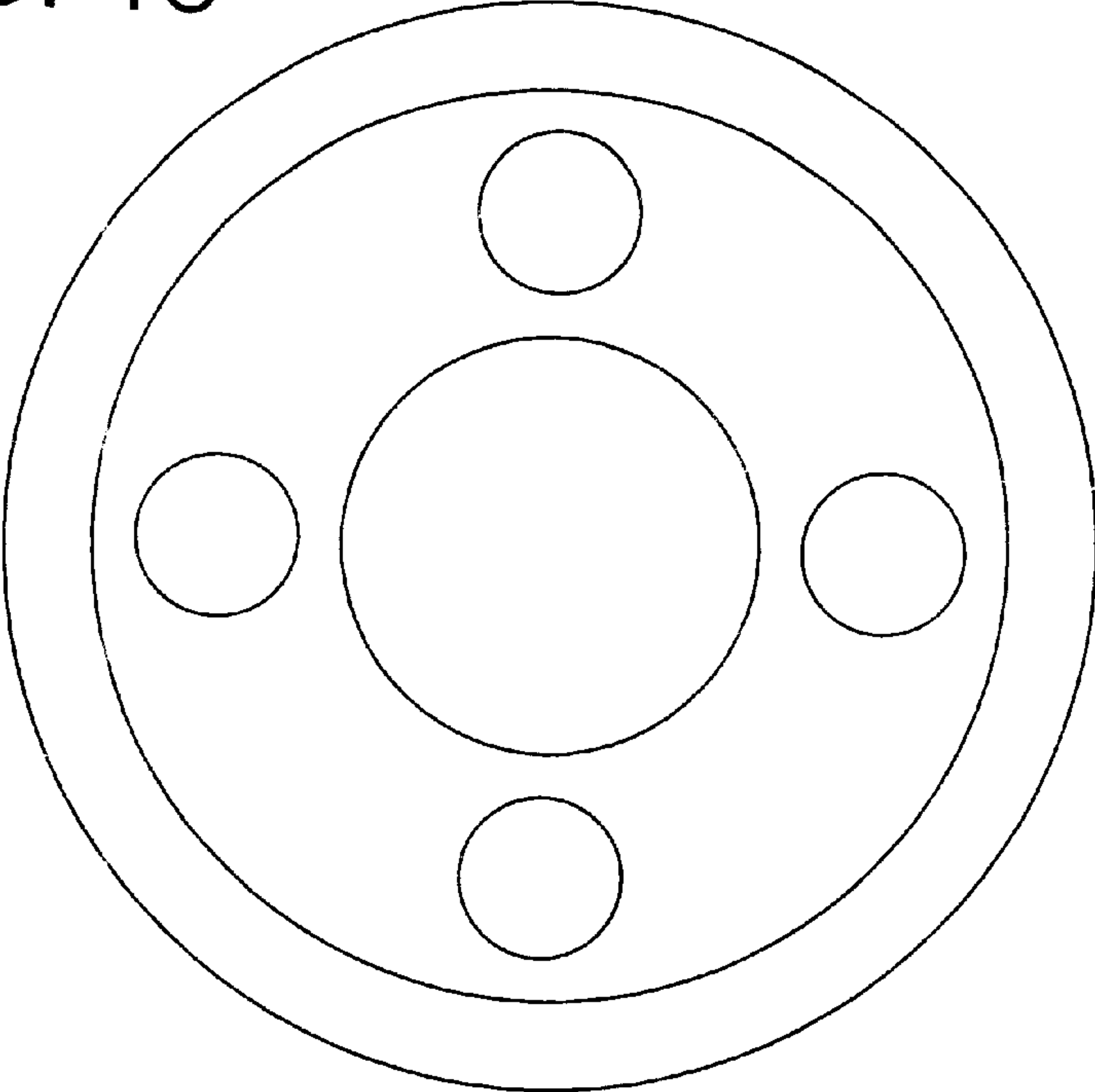


FIG. 18



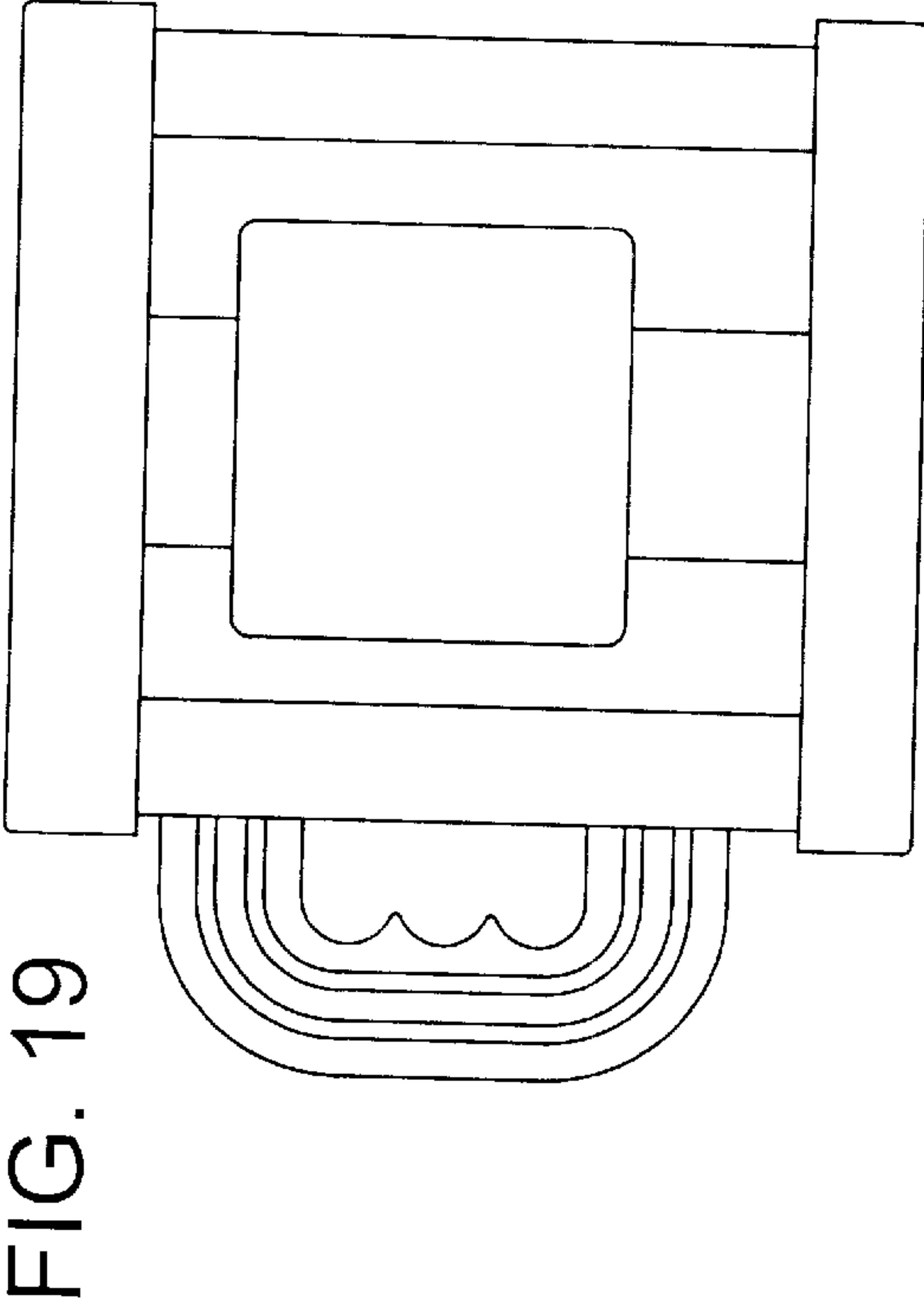


FIG. 19

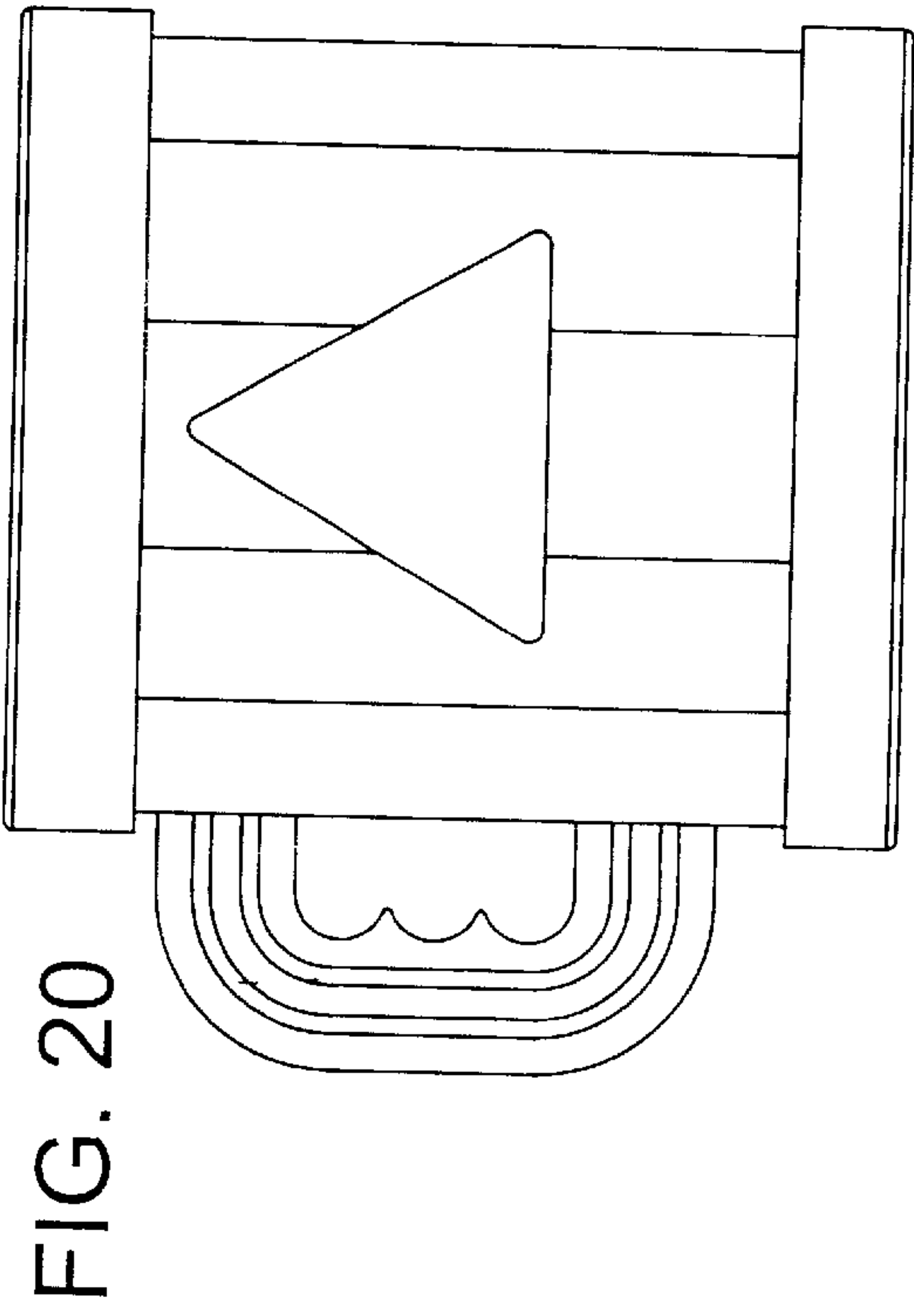


FIG. 20

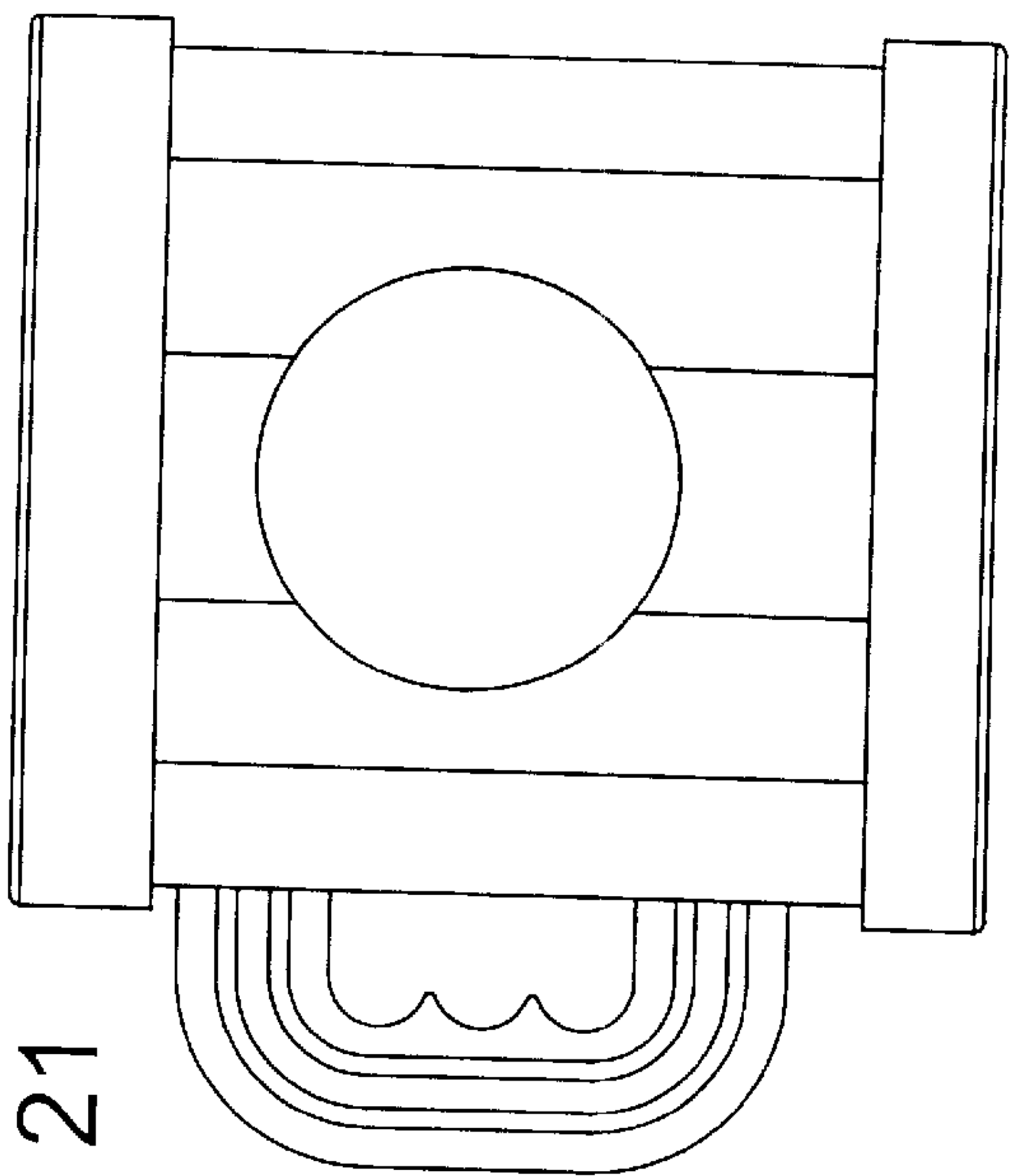


FIG. 21

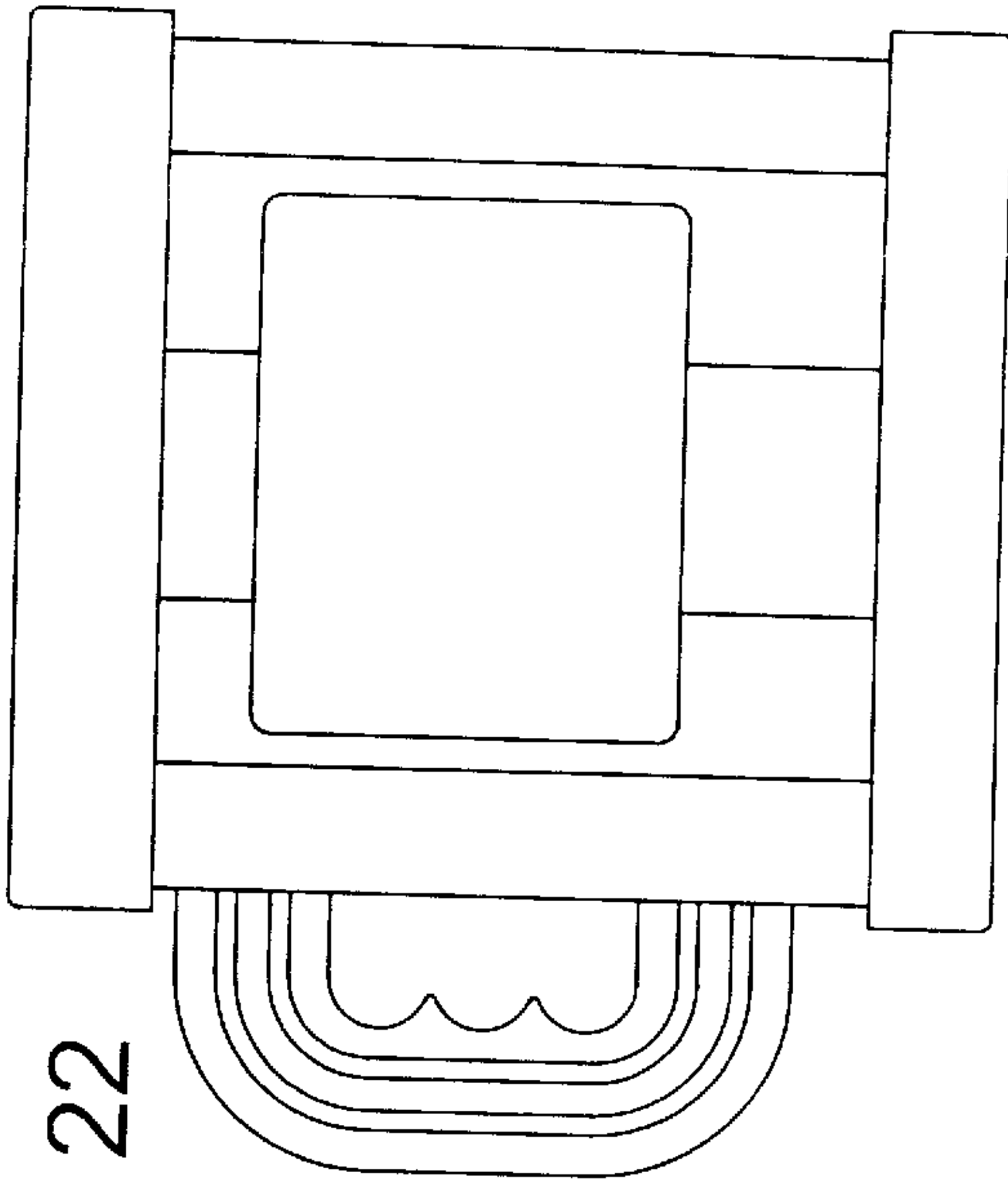


FIG. 22