

US00D493070S1

(12) **United States Design Patent**  
**Worthy**

(10) **Patent No.:** **US D493,070 S**

(45) **Date of Patent:** **\*\* Jul. 20, 2004**

(54) **FAT SKIMMER**

(76) **Inventor:** **Maria Worthy**, 2131 Northern Dr.,  
Beaver Creek, OH (US) 45431

(\*\*) **Term:** **14 Years**

(21) **Appl. No.:** **29/180,147**

(22) **Filed:** **Apr. 21, 2003**

(51) **LOC (7) Cl.** ..... **07-06**

(52) **U.S. Cl.** ..... **D7/600**

(58) **Field of Search** ..... D7/368, 590, 598,  
D7/600, 310, 312, 316-318, 320, 321;  
210/236, 238, 469, 473, 244, 514; 222/109,  
156, 498, 556

(56) **References Cited**

**U.S. PATENT DOCUMENTS**

4,555,339 A \* 11/1985 Graves et al. .... 210/244

D291,645 S \* 9/1987 Bruno ..... D7/321  
5,322,196 A \* 6/1994 Burton ..... 222/109  
D458,514 S \* 6/2002 Dorion ..... D7/600

\* cited by examiner

*Primary Examiner*—Terry A. Wallace

(57) **CLAIM**

The ornamental design for a fat skimmer, as shown and described.

**DESCRIPTION**

FIG. 1 is a front elevated view of a fat skimmer showing my new design;  
FIG. 2 is a side elevated view of the fat skimmer;  
FIG. 3 is a rear elevated view of the fat skimmer;  
FIG. 4 is a top plan view of the fat skimmer; and,  
FIG. 5 is a bottom plan view of the fat skimmer.

**1 Claim, 5 Drawing Sheets**

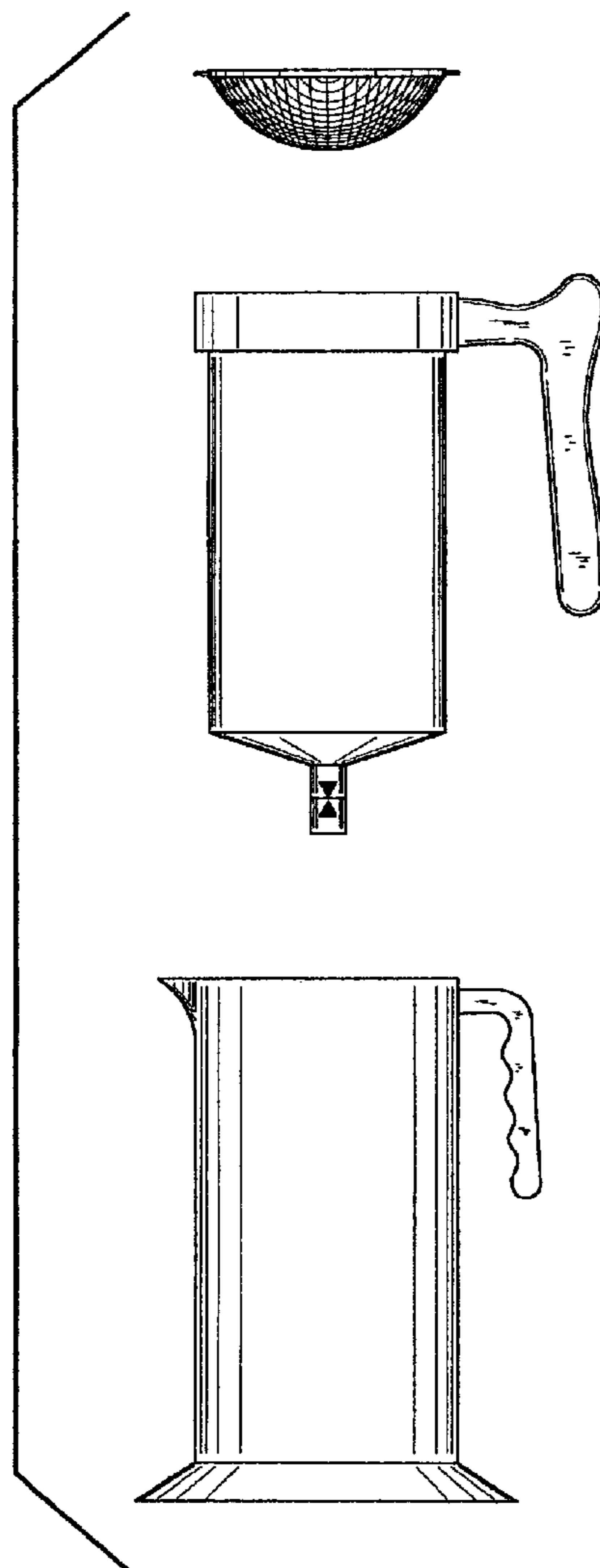
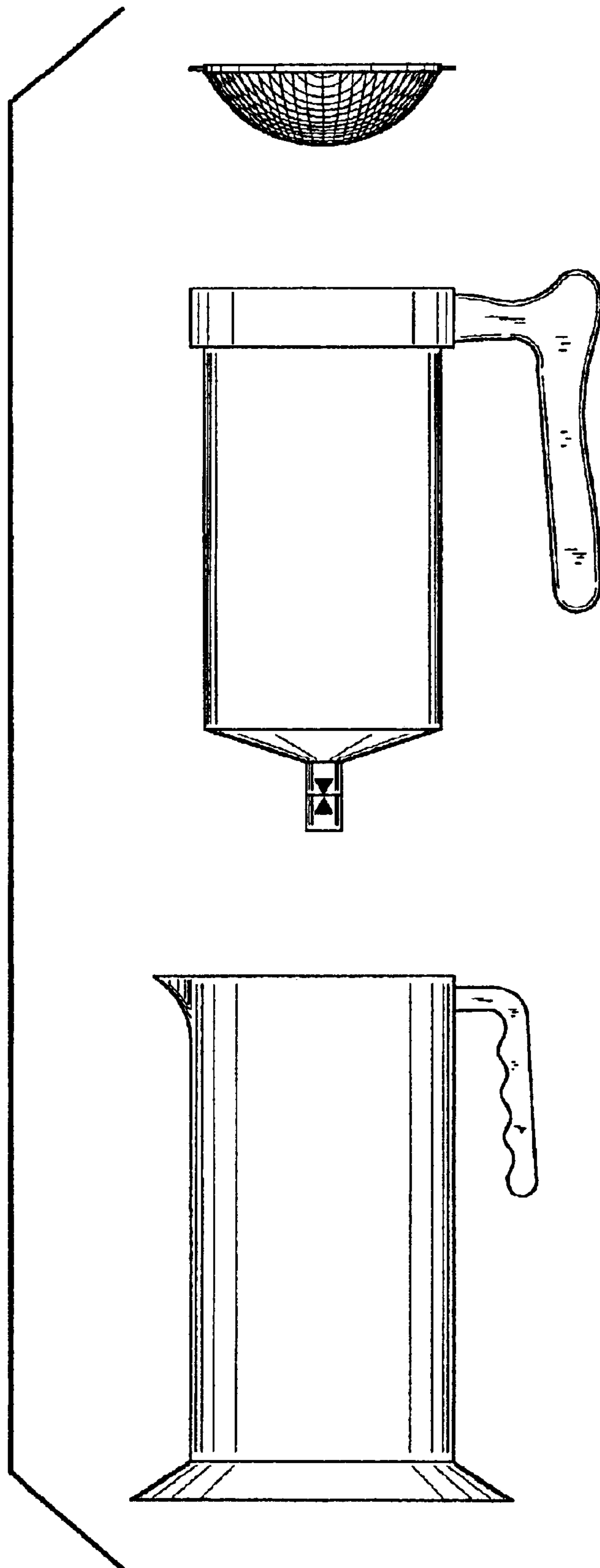


FIG. 1



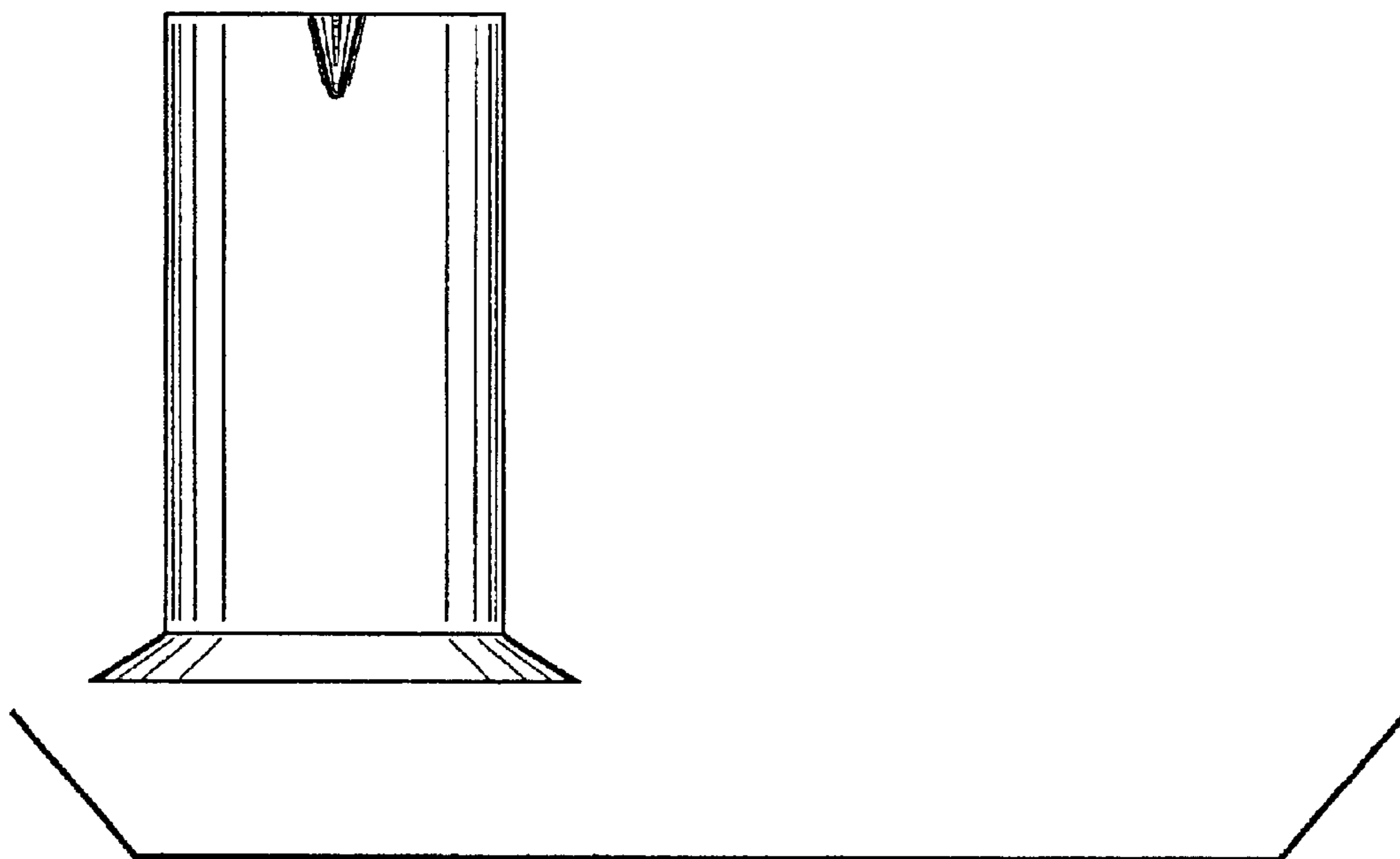
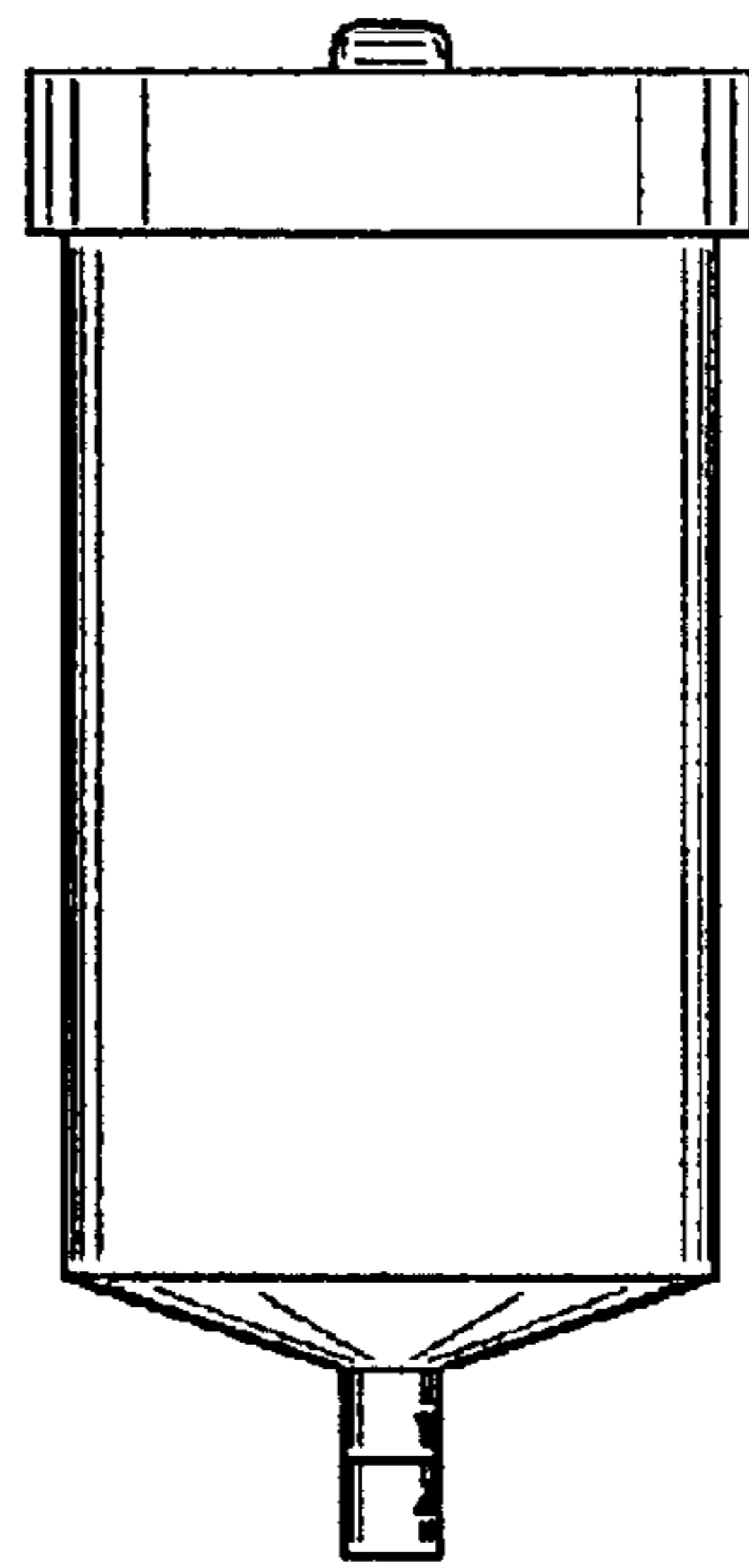
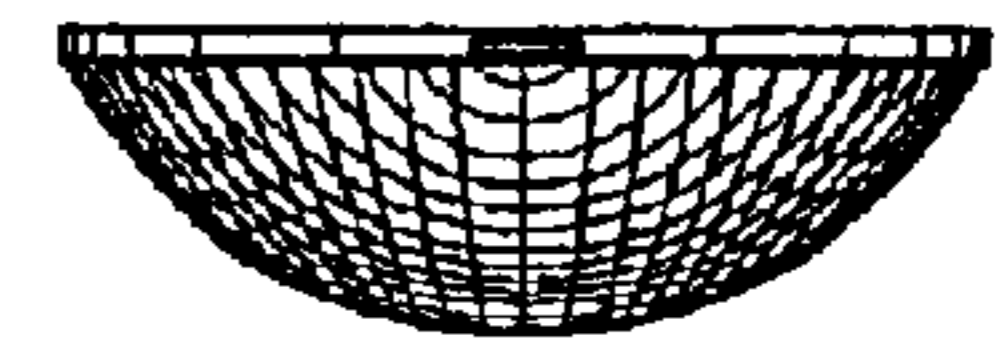


FIG. 2

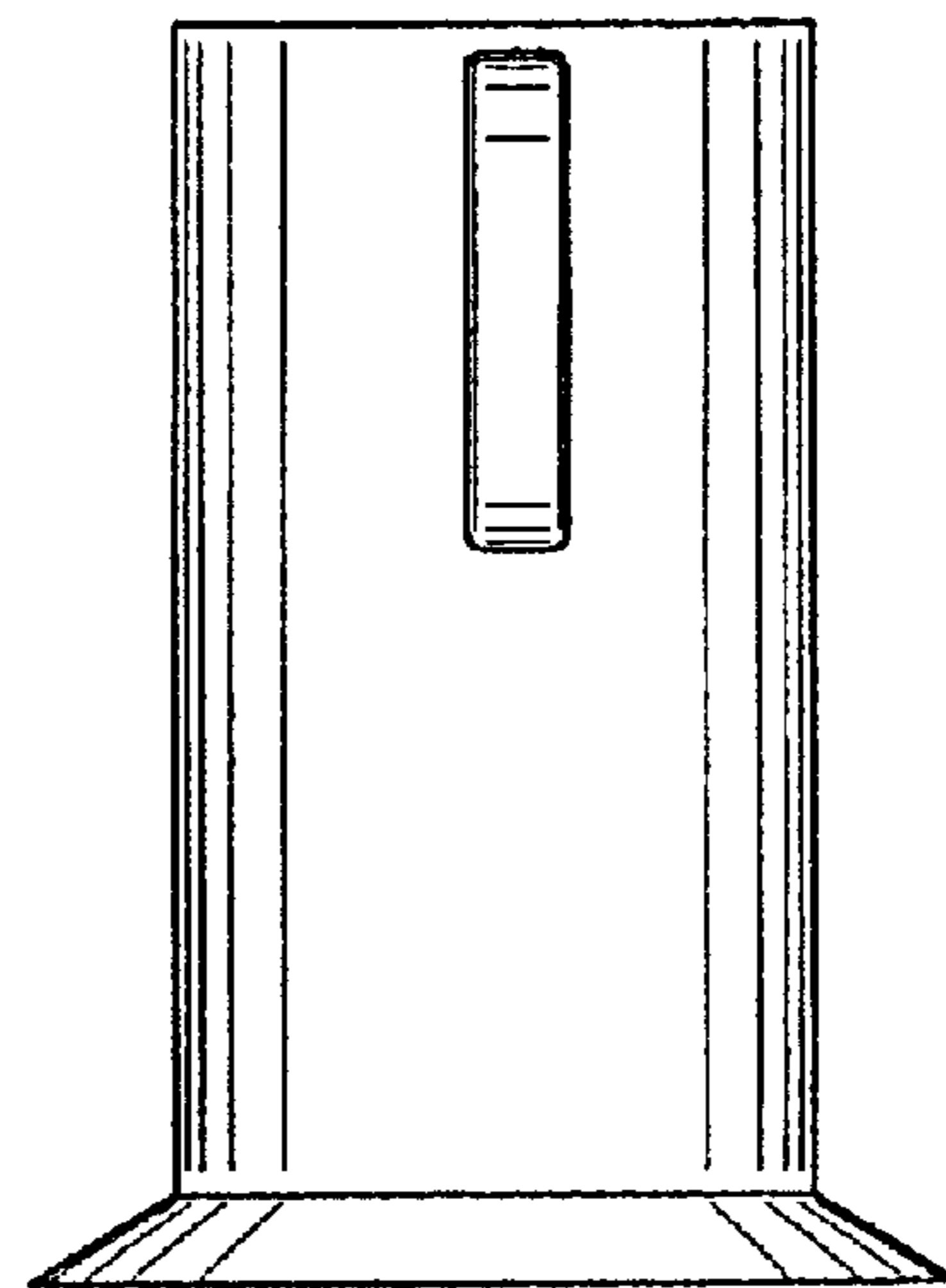
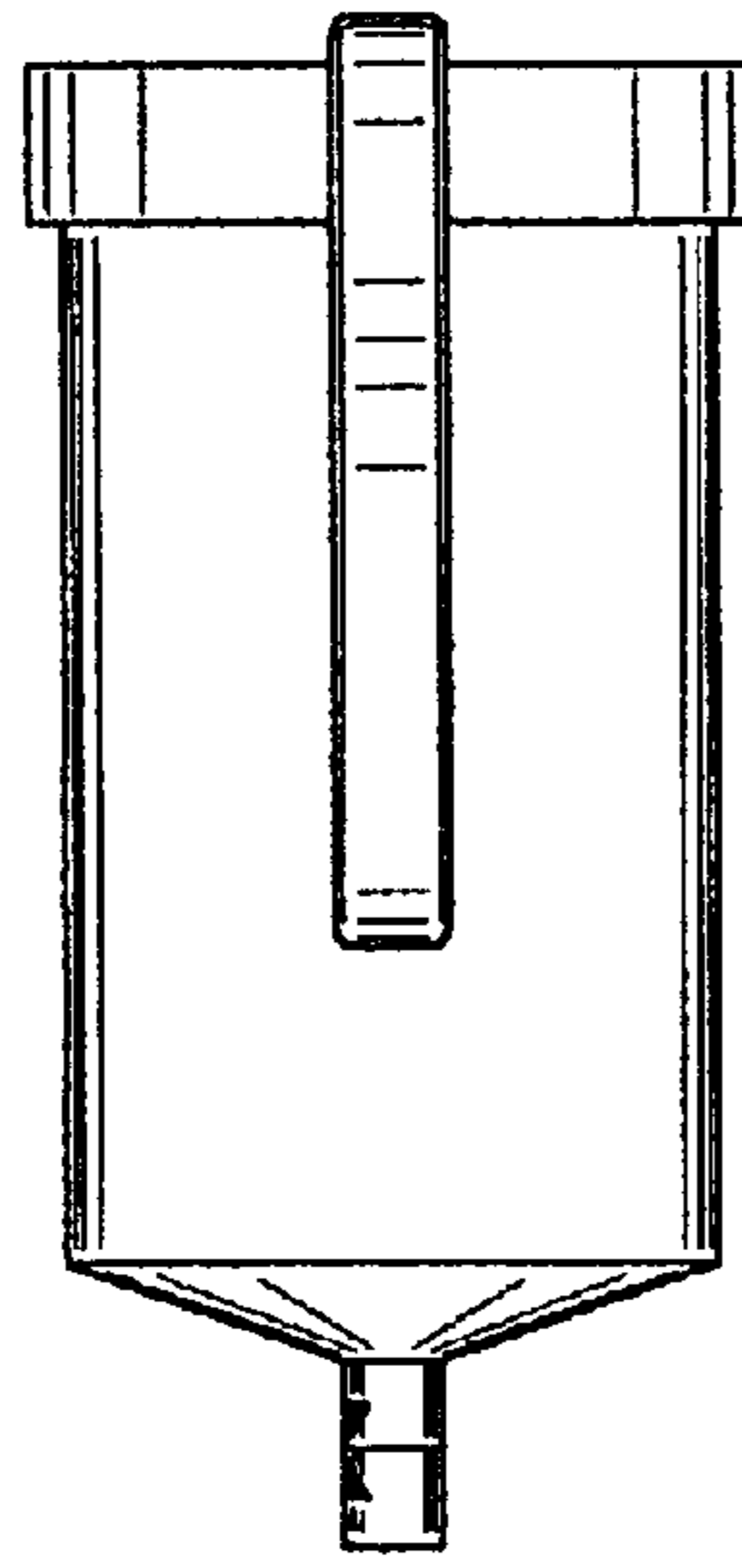
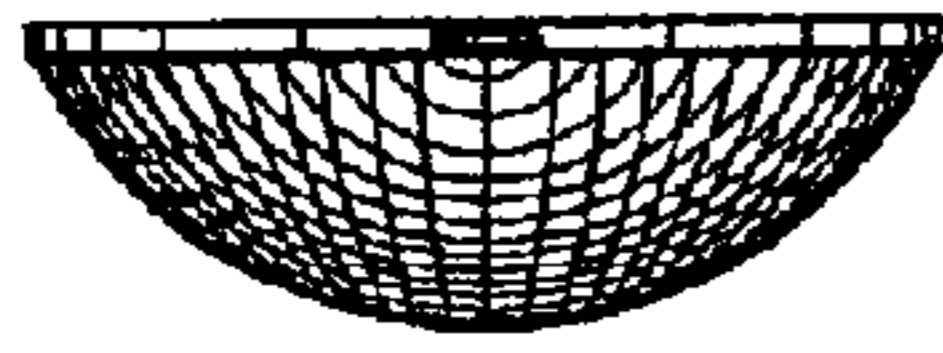


FIG. 3

FIG. 4

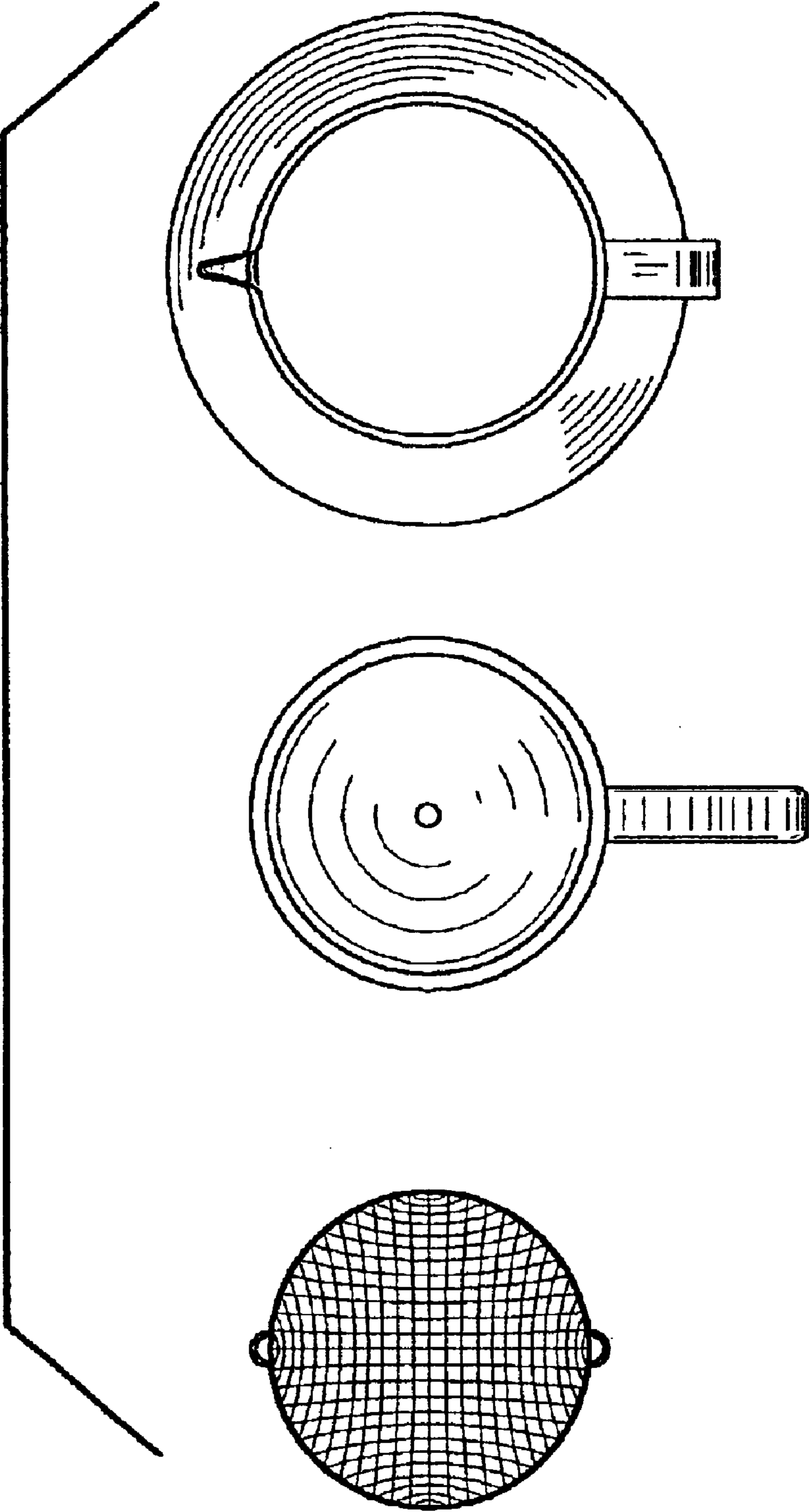


FIG. 5

