

US00D493068S1

(12) **United States Design Patent**  
**Slater et al.**

(10) **Patent No.:** **US D493,068 S**

(45) **Date of Patent:** **\*\* Jul. 20, 2004**

(54) **MUG**

(75) **Inventors:** **Owen A. Slater**, Chicago, IL (US);  
**Michael Joss**, Chicago, IL (US)

(73) **Assignee:** **Thermos L.L.C.**, Rolling Meadows, IL (US)

(\*\*) **Term:** **14 Years**

(21) **Appl. No.:** **29/175,130**

(22) **Filed:** **Jan. 30, 2003**

(51) **LOC (7) Cl.** ..... **07-01**

(52) **U.S. Cl.** ..... **D7/510; D7/511; D7/533**

(58) **Field of Search** ..... **D7/510, 511, 533,**  
**D7/536, 509, 532, 531; D9/529; 215/381,**  
**382, 383, 398, 396; 220/705, 710.5, 717,**  
**703, 729**

(56) **References Cited**

**U.S. PATENT DOCUMENTS**

|             |   |         |                  |       |         |
|-------------|---|---------|------------------|-------|---------|
| D369,063 S  | * | 4/1996  | Meisner          | ..... | D7/533  |
| 5,531,353 A | * | 7/1996  | Ward et al.      | ..... | 220/729 |
| D372,839 S  | * | 8/1996  | Laib             | ..... | D7/536  |
| D373,051 S  | * | 8/1996  | Kramer et al.    | ..... | D7/536  |
| D382,174 S  | * | 8/1997  | Grimm            | ..... | D7/510  |
| D386,948 S  | * | 12/1997 | Wissinger        | ..... | D7/533  |
| D396,381 S  | * | 7/1998  | Chung            | ..... | D7/510  |
| D398,187 S  | * | 9/1998  | Parker           | ..... | D7/510  |
| D404,613 S  | * | 1/1999  | Hatsumoto et al. | ..... | D7/510  |
| D406,011 S  | * | 2/1999  | Hatsumoto et al. | ..... | D7/510  |

|            |   |         |                   |       |        |
|------------|---|---------|-------------------|-------|--------|
| D420,254 S | * | 2/2000  | Park              | ..... | D7/510 |
| D472,100 S | * | 3/2003  | Gullickson et al. | ..... | D7/510 |
| D472,425 S | * | 4/2003  | Hurlbut et al.    | ..... | D7/510 |
| D475,578 S | * | 6/2003  | Hurlbut et al.    | ..... | D7/533 |
| D479,671 S | * | 9/2003  | Gluck             | ..... | D7/533 |
| D480,917 S | * | 10/2003 | Holsinger et al.  | ..... | D7/533 |
| D480,919 S | * | 10/2003 | Bin               | ..... | D7/533 |

\* cited by examiner

*Primary Examiner*—M. N. Pandozzi

(74) *Attorney, Agent, or Firm*—Wood, Phillips, Katz, Clark & Mortimer

(57) **CLAIM**

The ornamental design of a mug, as shown and described.

**DESCRIPTION**

FIG. 1 is a perspective view of our mug design taken from the upper right side thereof;

FIG. 2 is a perspective view of our mug design taken from the lower left side thereof;

FIG. 3 is a front elevation of our mug design, it being understood that a rear elevation would be a mirror image of this FIG. 3;

FIG. 4 is a right side elevation of our mug design;

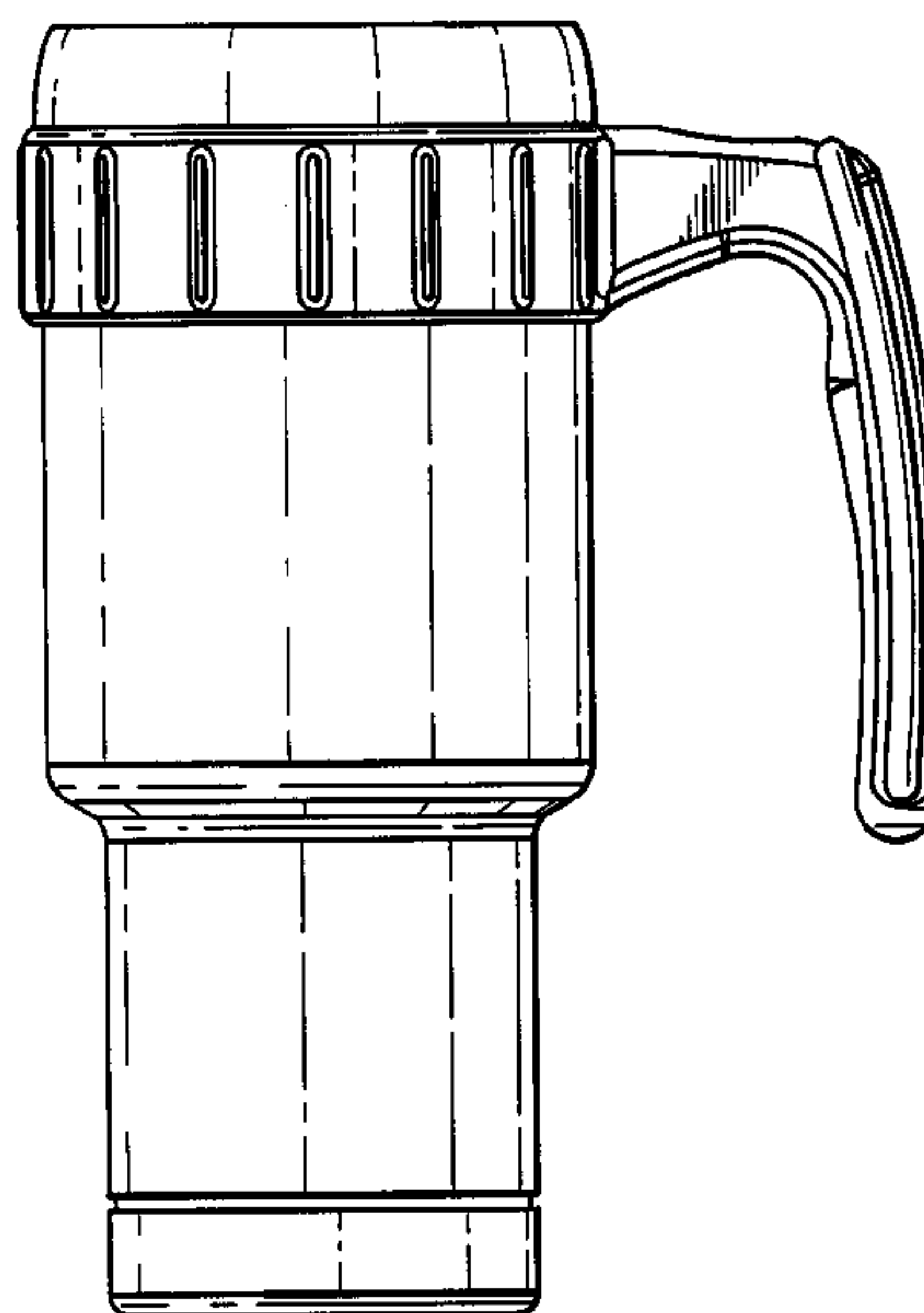
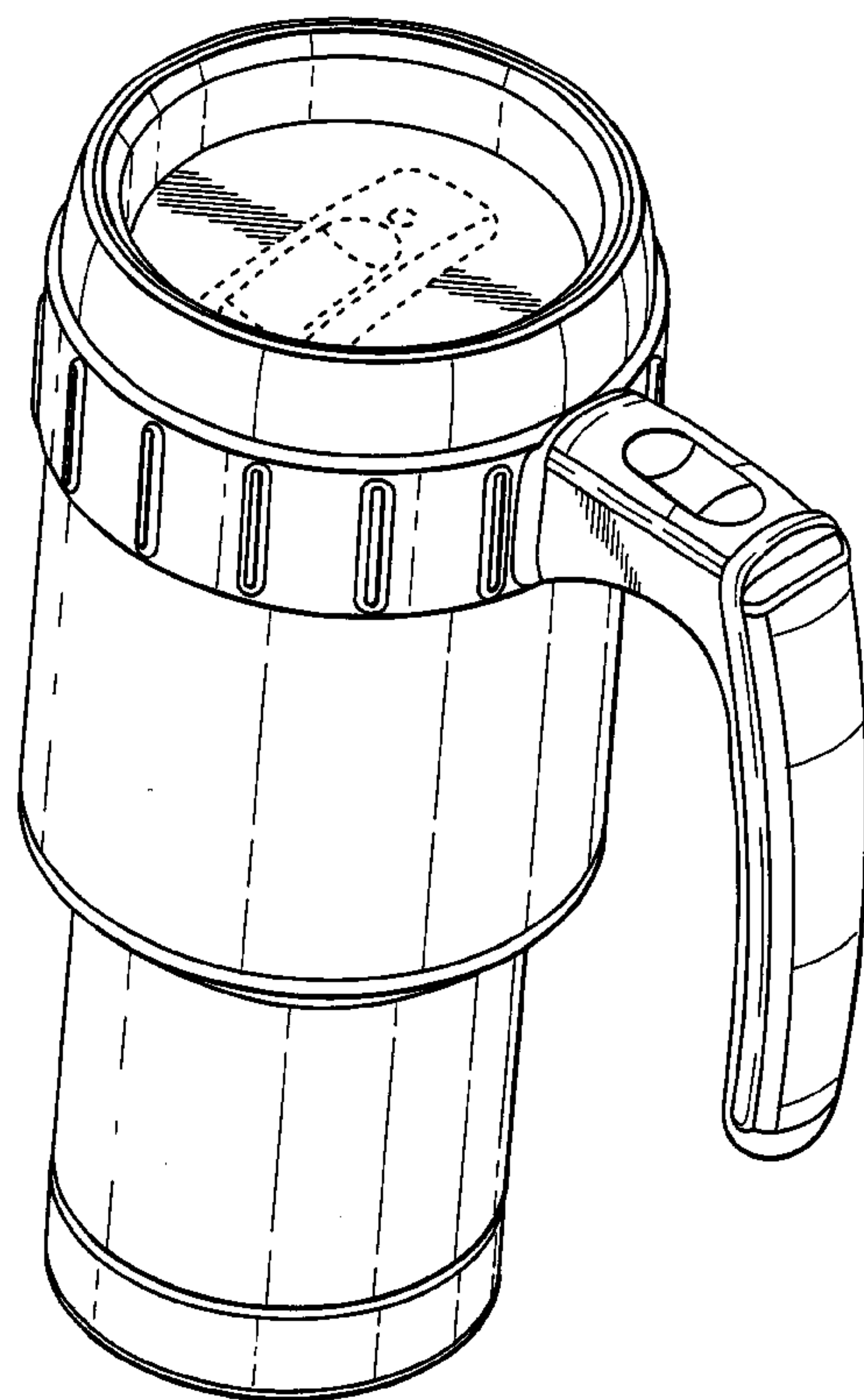
FIG. 5 is a left side elevation of our mug design;

FIG. 6 is a top plan view of our mug design; and,

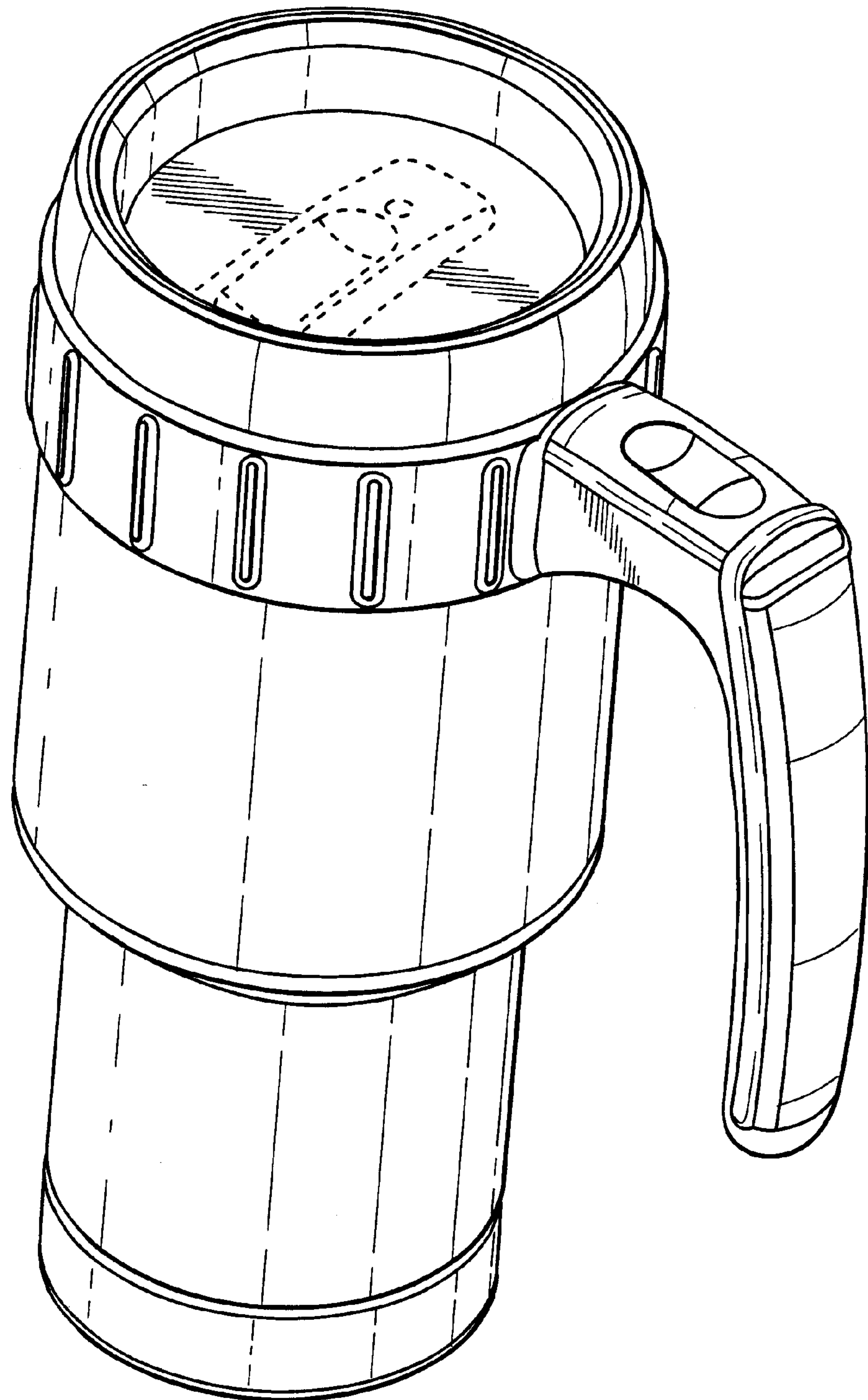
FIG. 7 is a bottom plan view of our mug design.

It is to be understood that the dotted line showing in FIGS. 1 and 6 form no part of our inventive mug design.

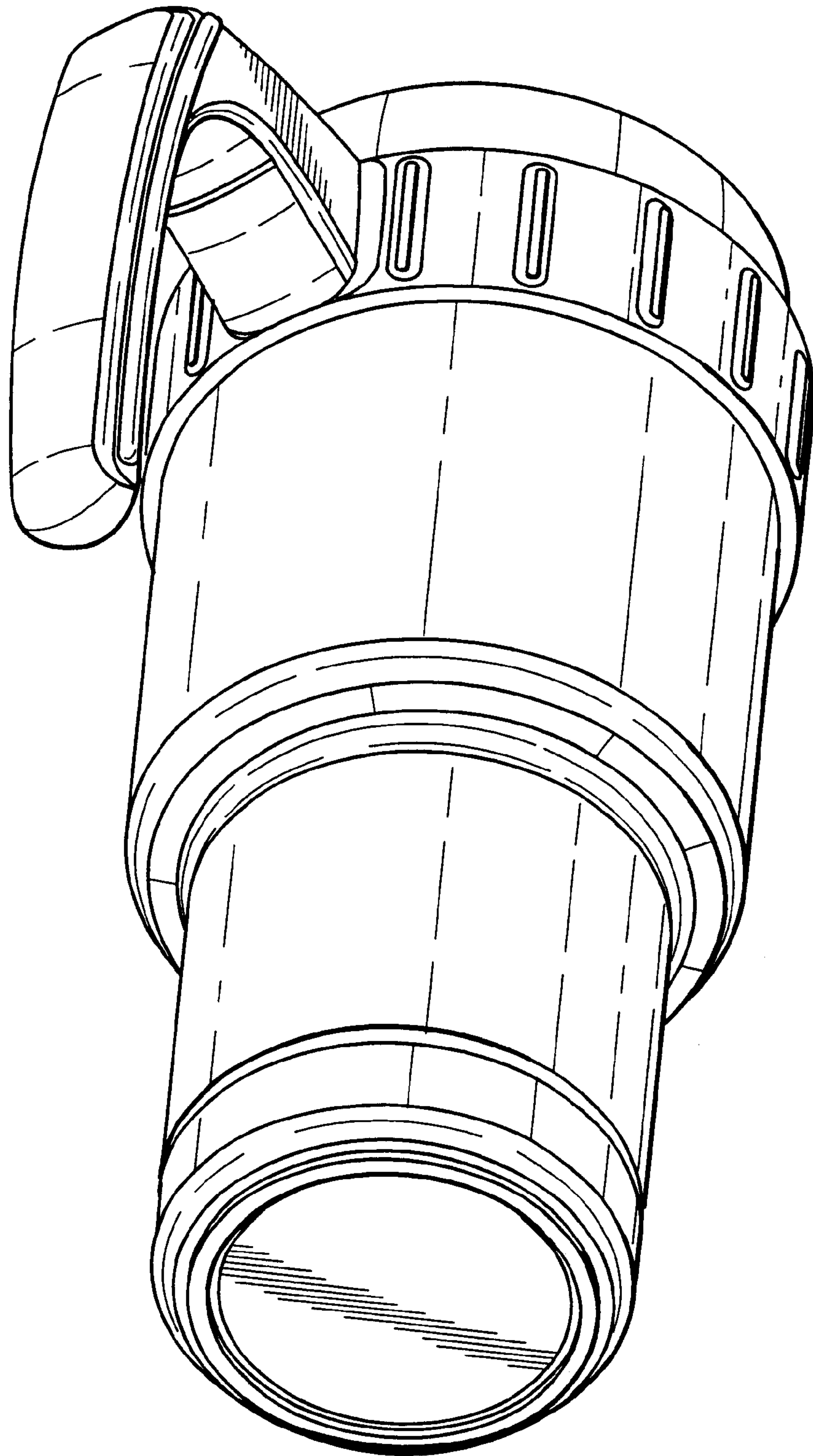
**1 Claim, 4 Drawing Sheets**



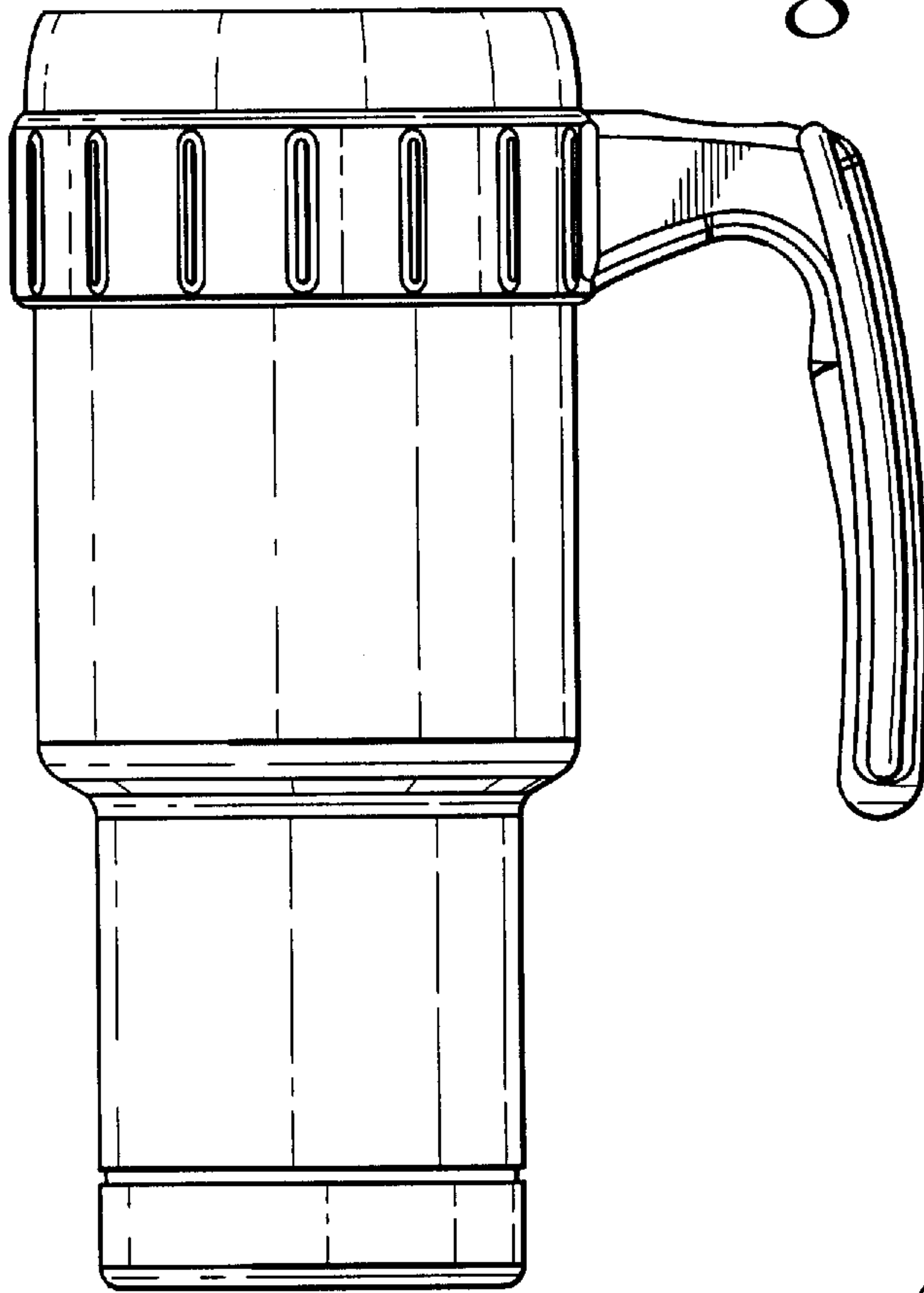
*Fig. 1*



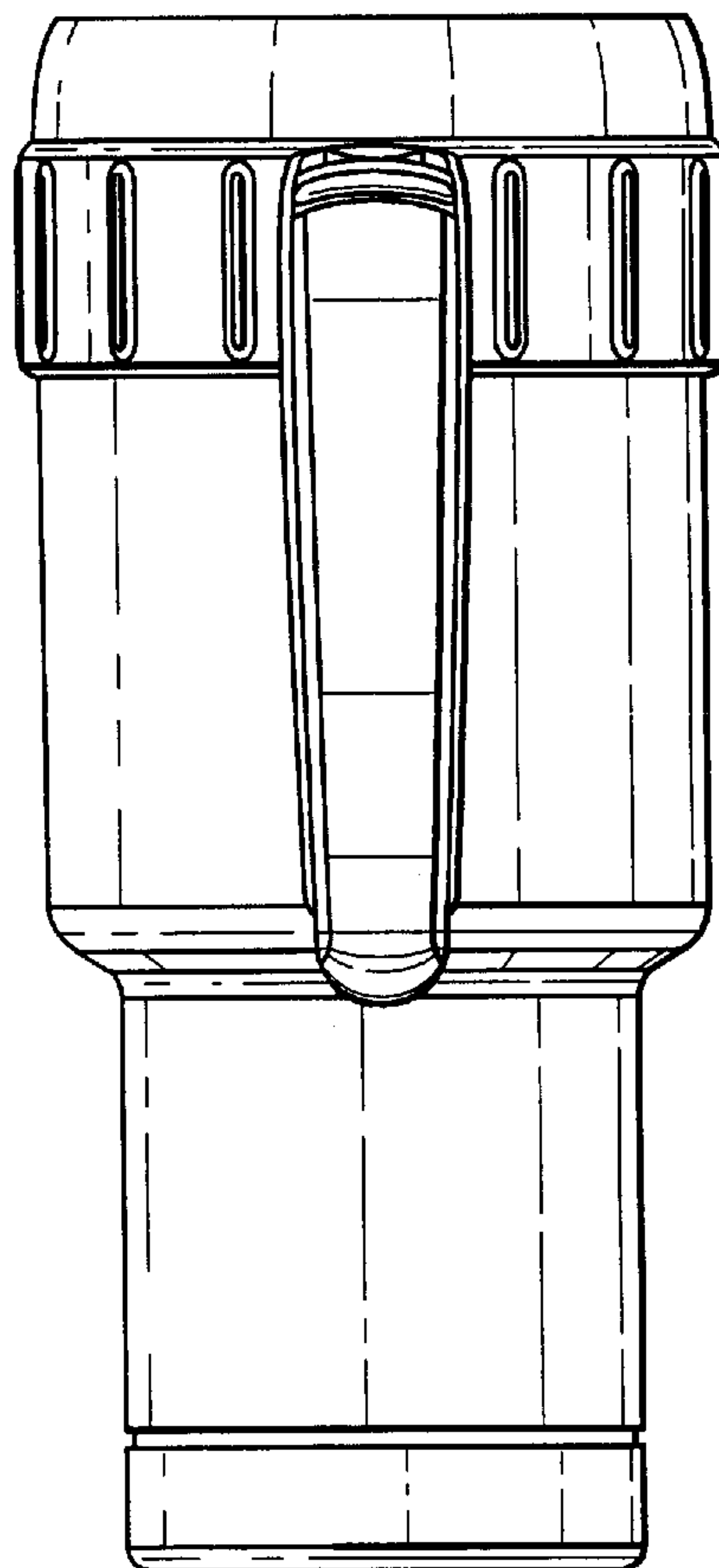
*Fig. 2*



*Fig. 3*

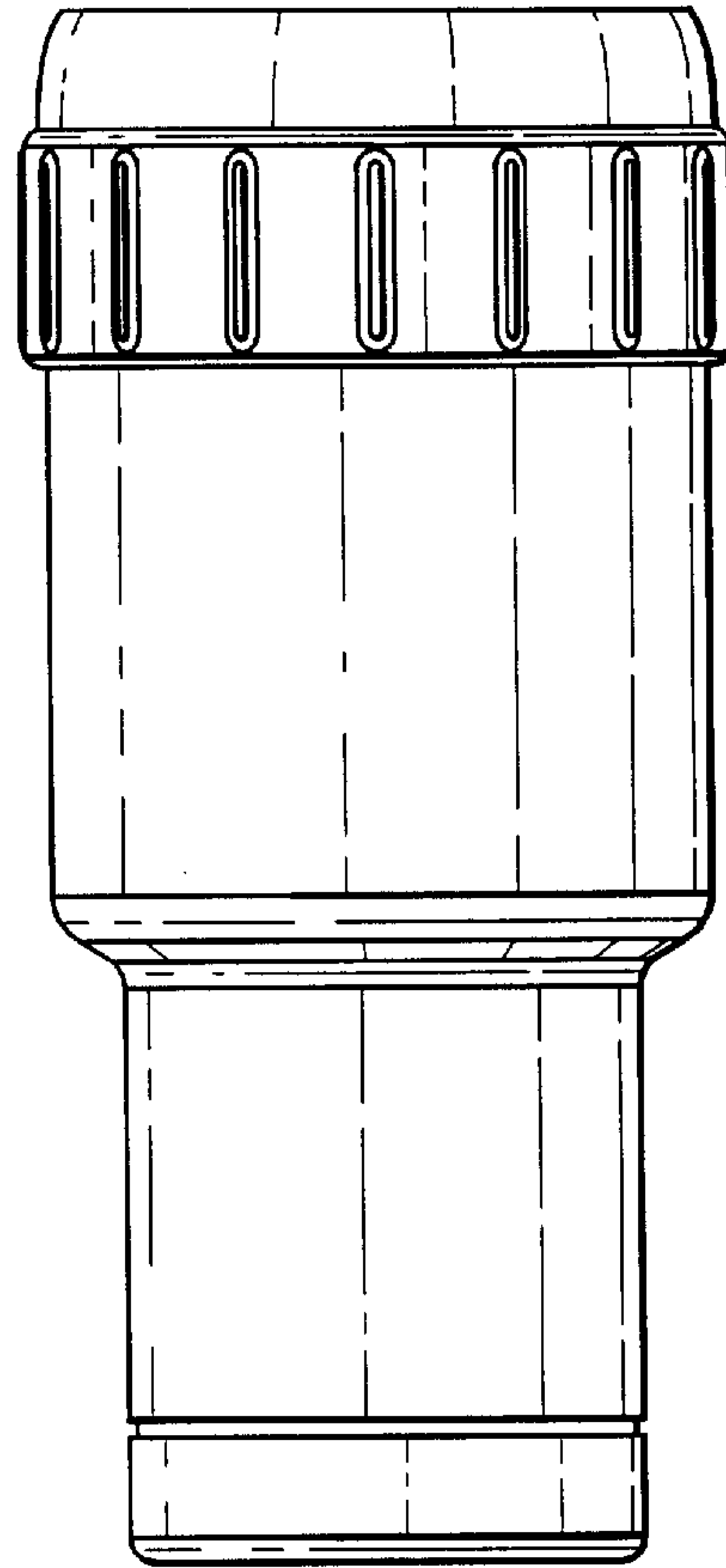


*Fig. 4*

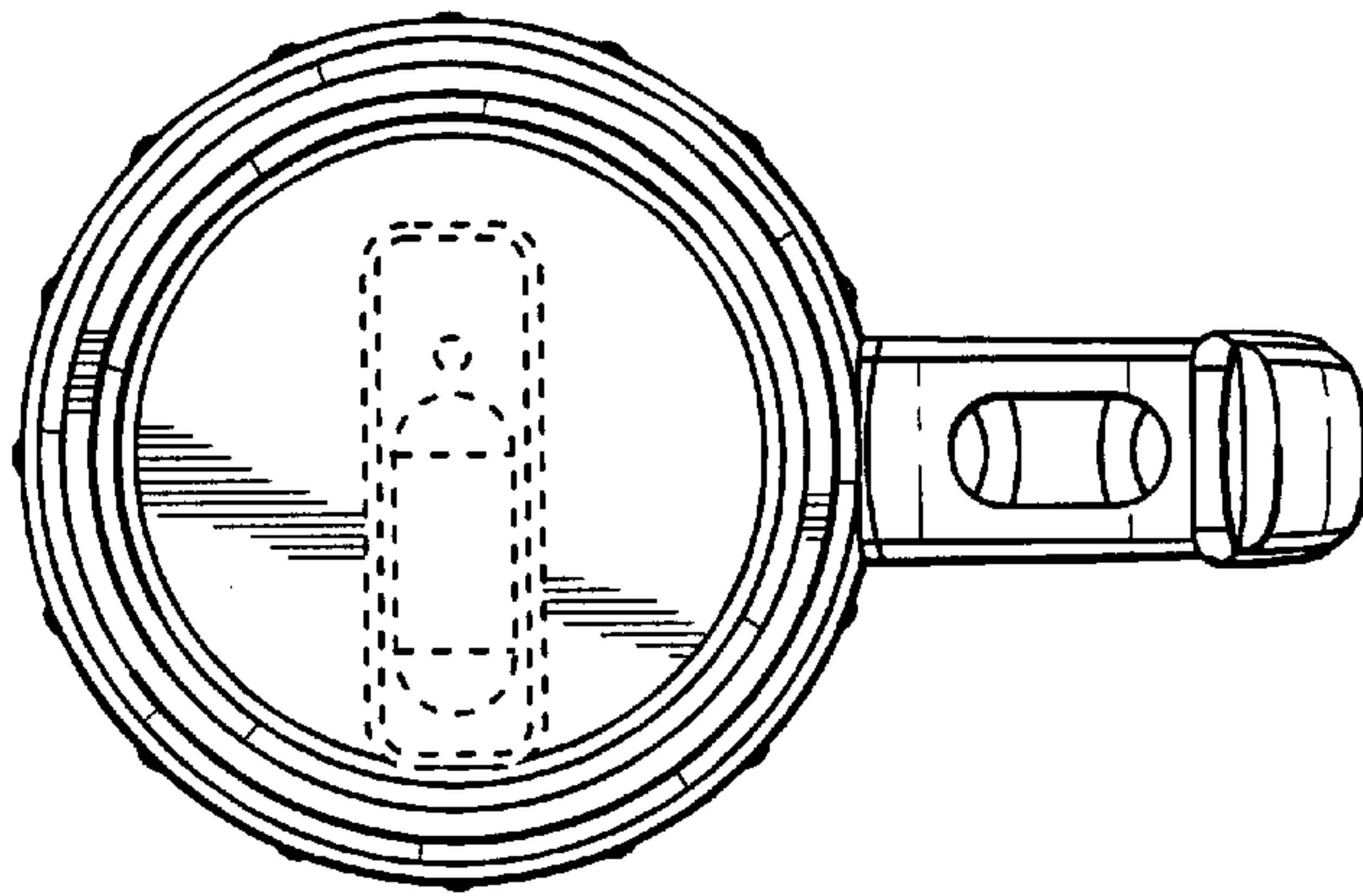




*Fig. 5*



*Fig. 6*



*Fig. 7*

