

US00D493066S1

(12) **United States Design Patent**  
**Hester**

(10) **Patent No.:** **US D493,066 S**  
(45) **Date of Patent:** **\*\* Jul. 20, 2004**

(54) **FOWL ROASTER**

(76) **Inventor:** **Kevin R. Hester**, 2100 W. Prien Lake Rd., Lake Charles, LA (US) 70605

(\*\*) **Term:** **14 Years**

(21) **Appl. No.:** **29/186,505**

(22) **Filed:** **Jul. 15, 2003**

(51) **LOC (7) Cl.** ..... **07-02**

(52) **U.S. Cl.** ..... **D7/409**

(58) **Field of Search** ..... D7/354-361, 409;  
99/339, 345, 347, 419, 421 H, 421 V, 426;  
426/509, 523

(56) **References Cited**

**U.S. PATENT DOCUMENTS**

3,392,665	A	*	7/1968	Harnest	.....	99/426
D253,156	S	*	10/1979	Bengloff	.....	D7/409
D270,608	S	*	9/1983	Spanek et al.	.....	D7/409
D363,000	S	*	10/1995	Buff, IV	.....	D7/409

D461,682	S	*	8/2002	Fandrey	.....	D7/409
6,460,452	B1	*	10/2002	Hester	.....	99/347
6,503,551	B1	*	1/2003	Hester	.....	426/523
2002/0195001	A1	*	12/2002	Hester	.....	99/345

\* cited by examiner

*Primary Examiner*—Caron D. Veynar

(74) *Attorney, Agent, or Firm*—William W. Stagg

(57) **CLAIM**

The ornamental design for a fowl roaster, substantially as shown and described.

**DESCRIPTION**

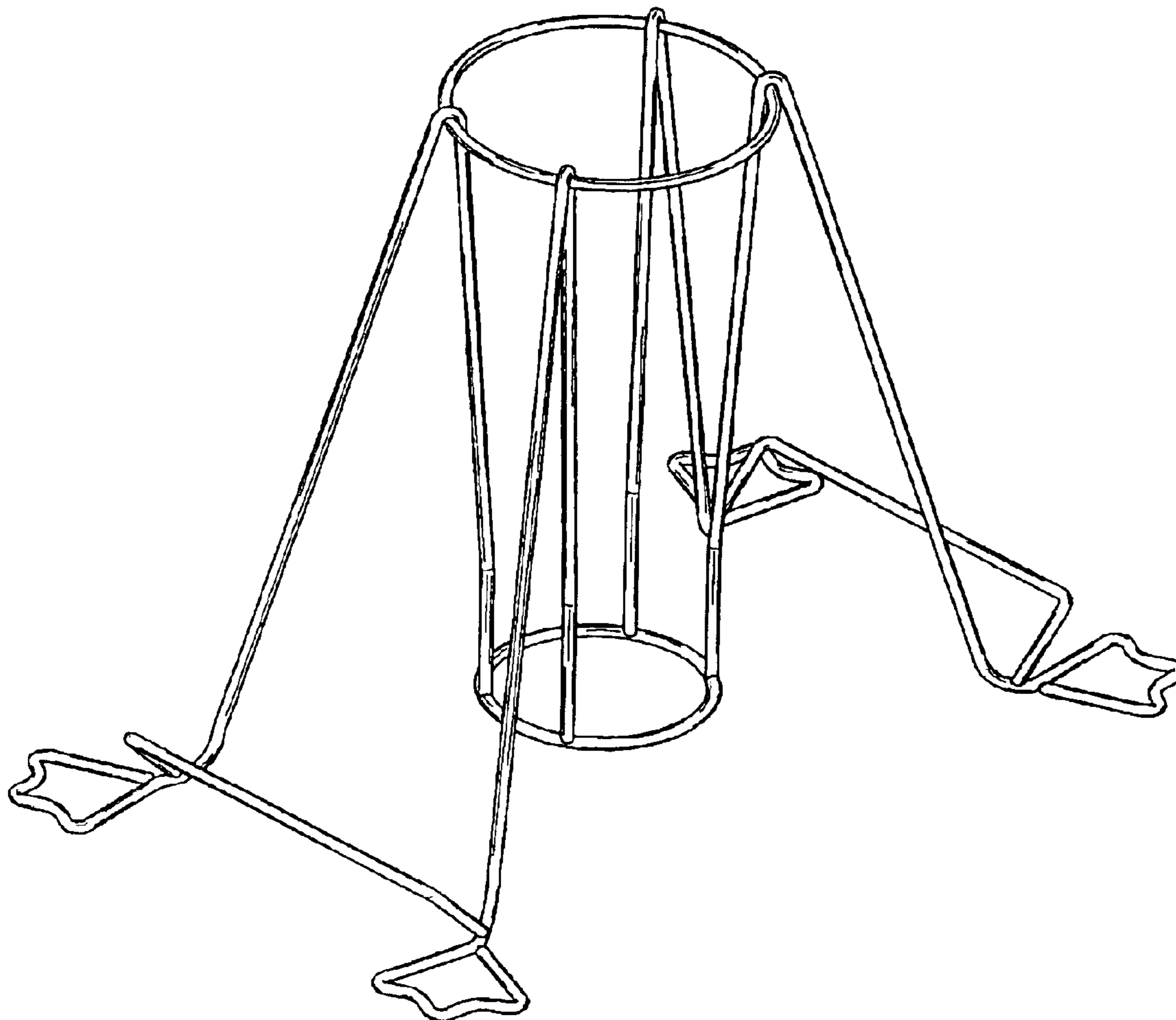
FIG. 1 is a perspective view of the fowl roaster showing my new design.

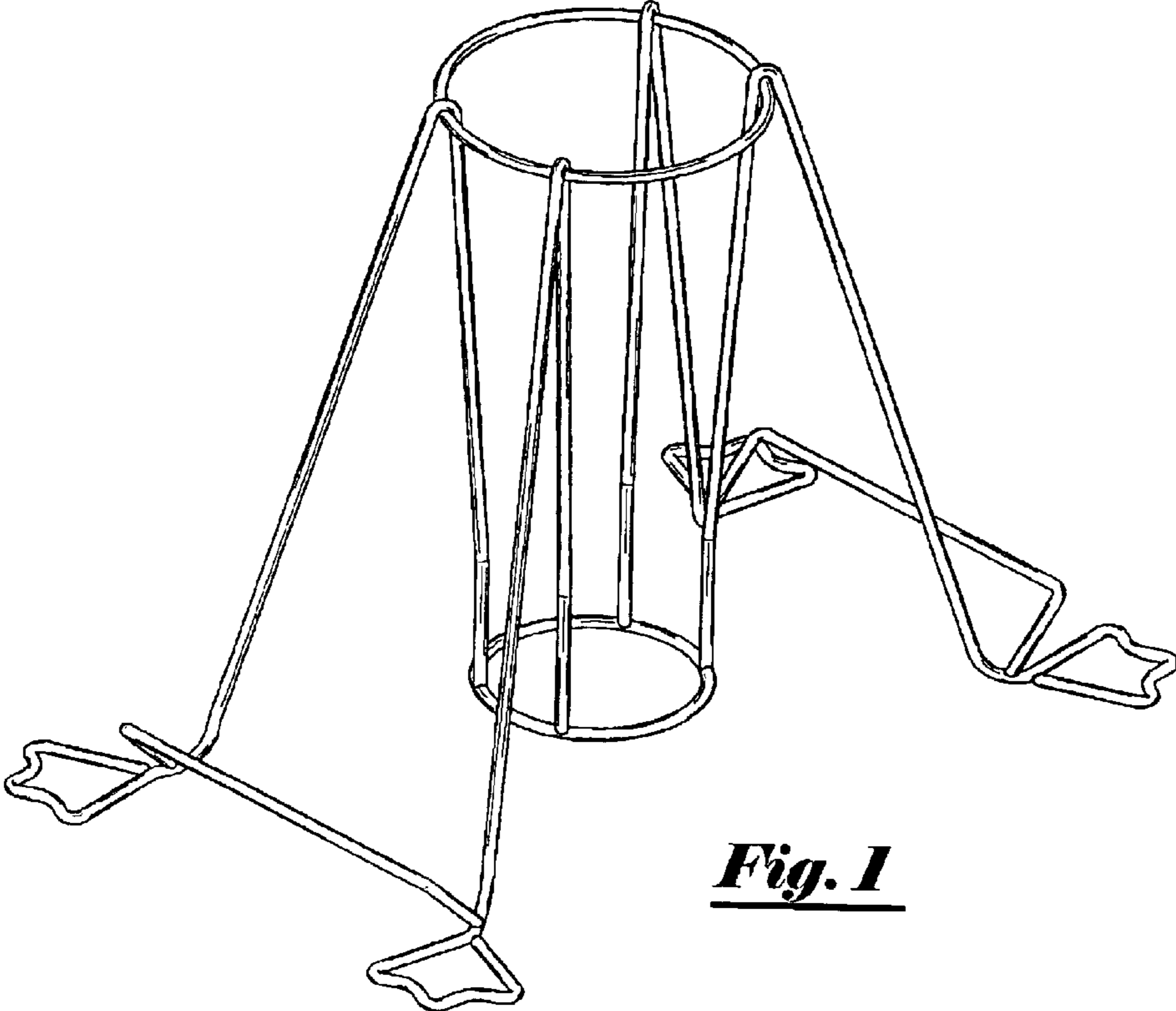
FIG. 2 is a top view of the fowl roaster shown in FIG. 1.

FIG. 3 is a side view of the fowl roaster shown in FIG. 1; and,

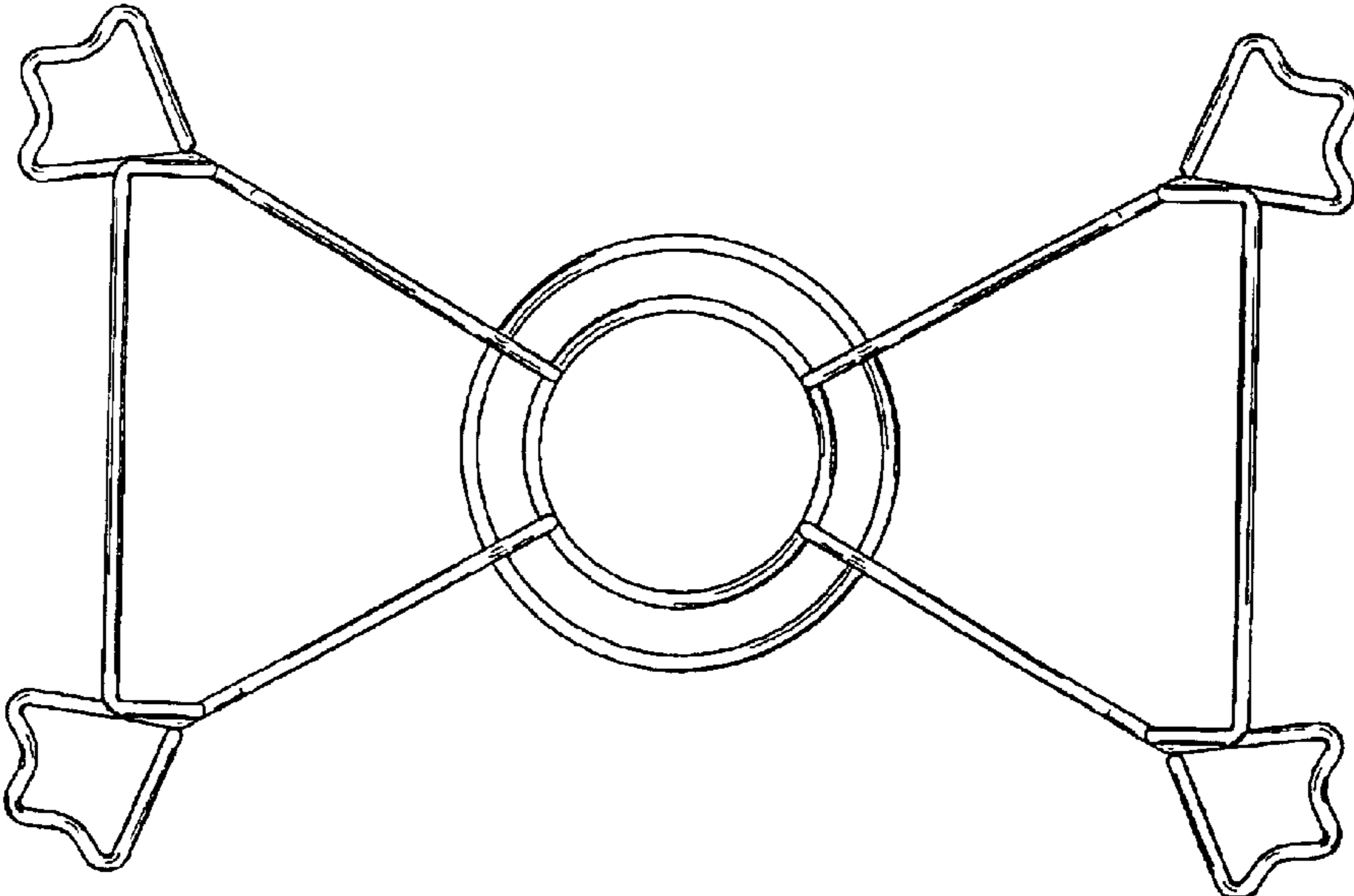
FIG. 4 is an end view of the fowl roaster shown in FIG. 1.

**1 Claim, 2 Drawing Sheets**

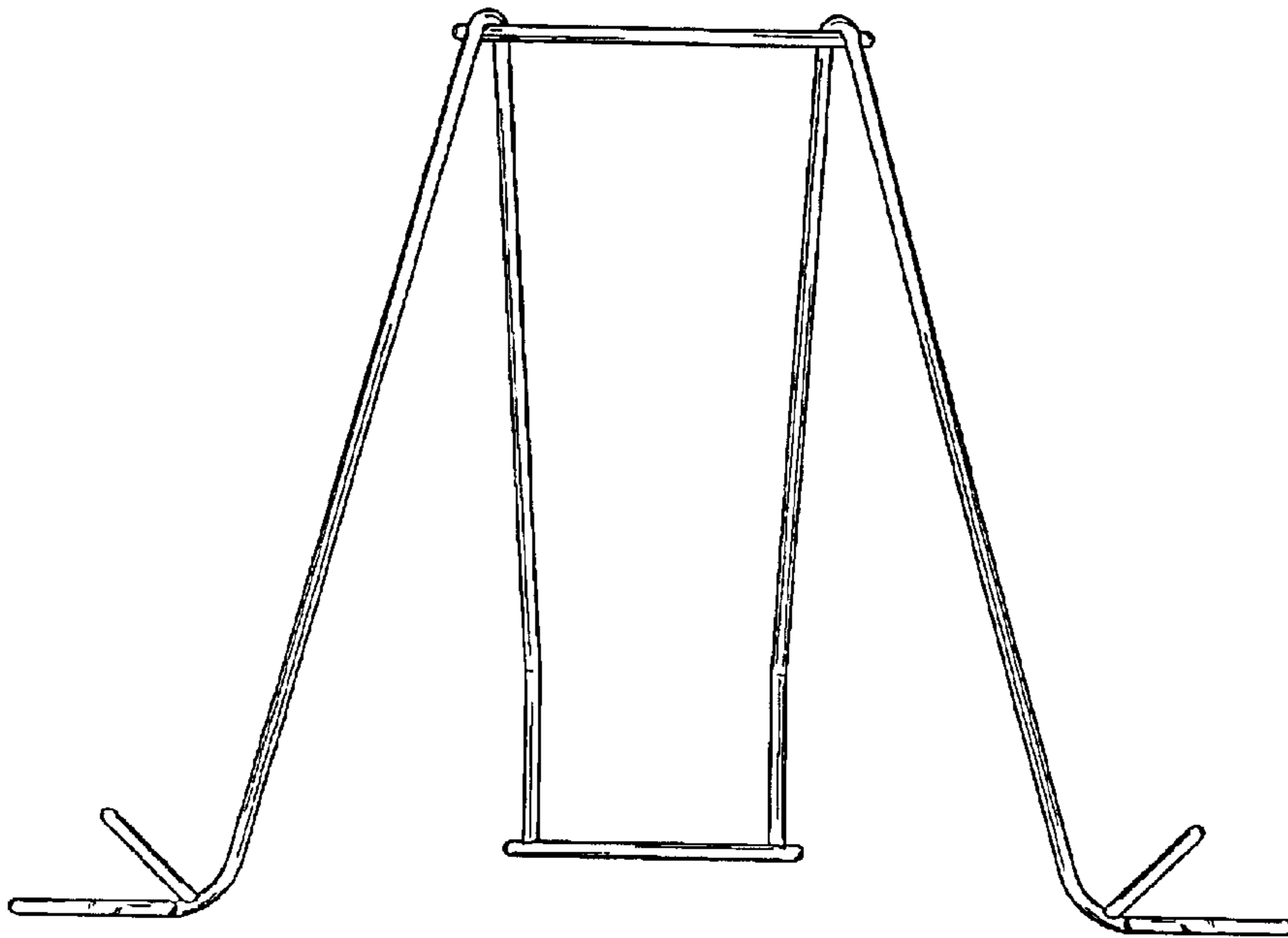




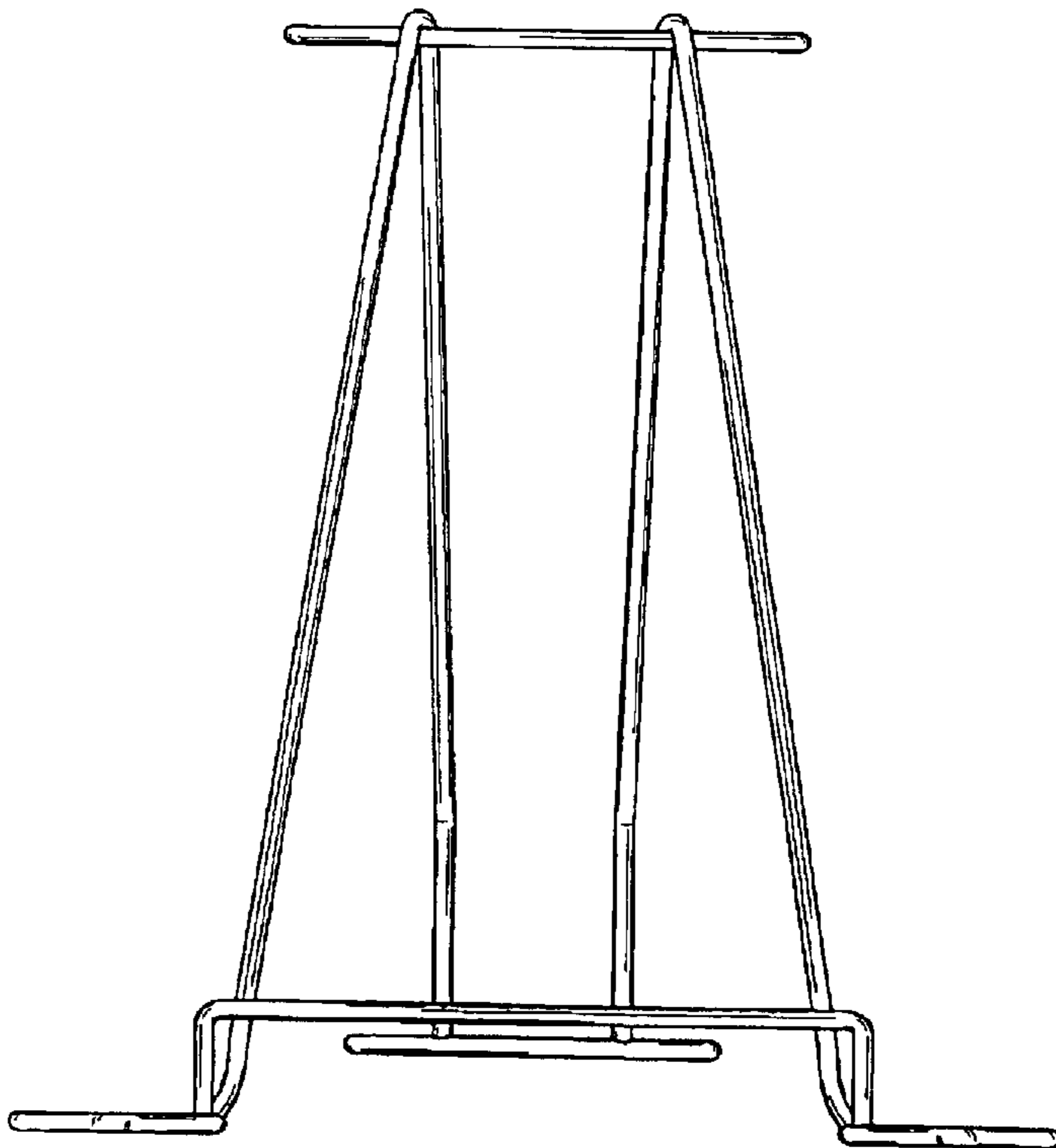
**Fig. 1**



**Fig. 2**



**Fig. 3**



**Fig. 4**