

US00D493060S1

(12) **United States Design Patent**
Pippel et al.

(10) **Patent No.: US D493,060 S**
(45) **Date of Patent: ** Jul. 20, 2004**

(54) **COOKWARE HANDLE**

D212,379 S * 10/1968 Dudas et al. D7/393
D261,349 S * 10/1981 Ryser D7/393

(75) Inventors: **Bradley J. Pippel**, Grandville, MI
(US); **Susan K. Hoff**, Belmont, MI
(US)

* cited by examiner

(73) Assignee: **Access Business Group International LLC**, Ada, MI (US)

Primary Examiner—Terry A. Wallace
(74) *Attorney, Agent, or Firm*—Marc Filigenzi; Alticor Inc.

(**) Term: **14 Years**

(57) **CLAIM**

(21) Appl. No.: **29/180,312**

The ornamental design for the cookware handle, as shown and described.

(22) Filed: **Apr. 22, 2003**

DESCRIPTION

(51) **LOC (7) Cl.** **07-02**

(52) **U.S. Cl.** **D7/393**

(58) **Field of Search** D7/393, 354–361;
D8/300, 307, 310, 312; 220/752, 753, 755,
912, 573.1; 16/110.1, 414, 417, 433, 441

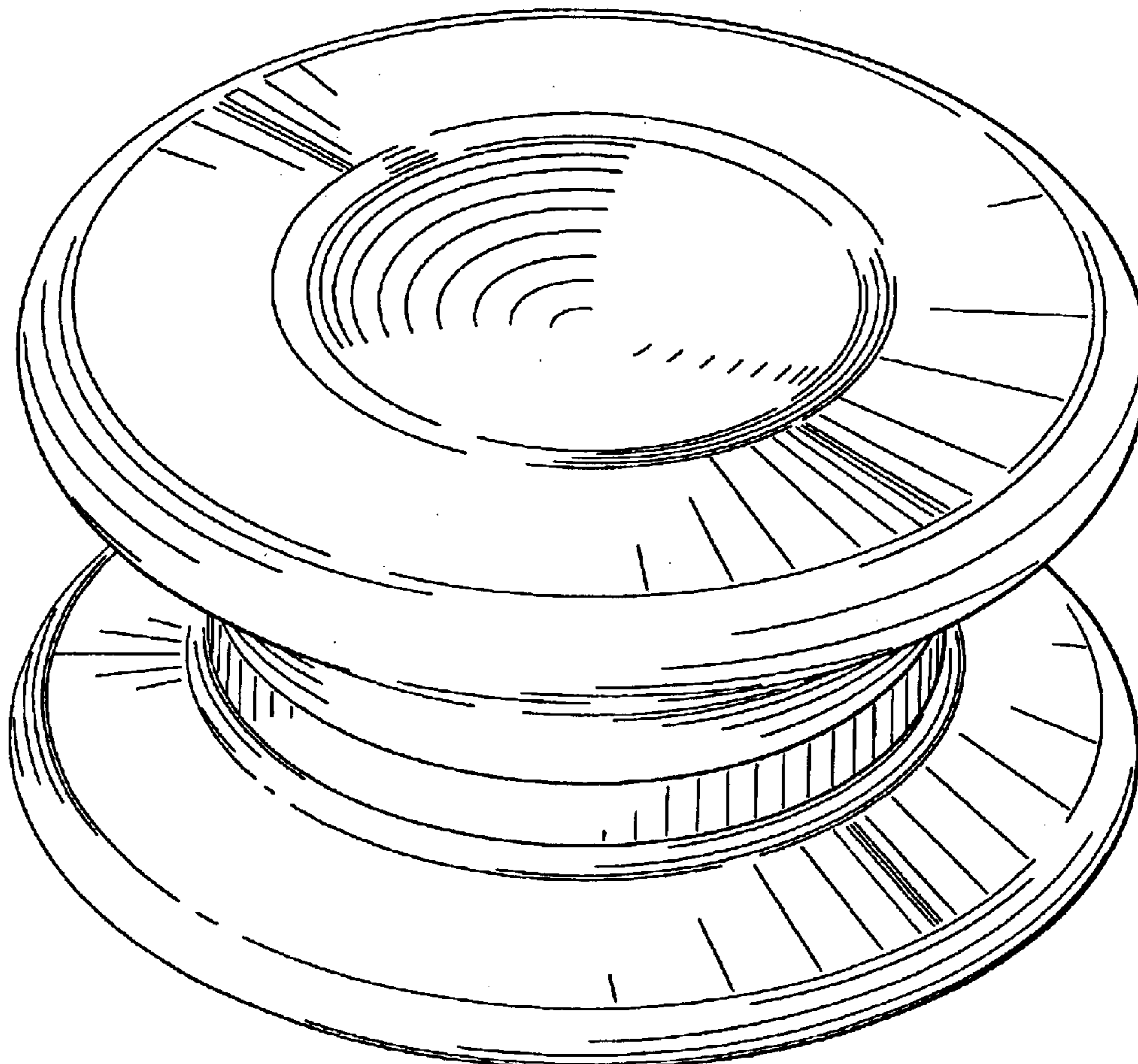
FIG. 1 is an isometric view of the cookware handle;
FIG. 2 is a side view thereof;
FIG. 3 is a top view thereof; and,
FIG. 4 is a bottom view thereof.

(56) **References Cited**

U.S. PATENT DOCUMENTS

RE5,633 E * 10/1873 Thurston 16/441

1 Claim, 4 Drawing Sheets



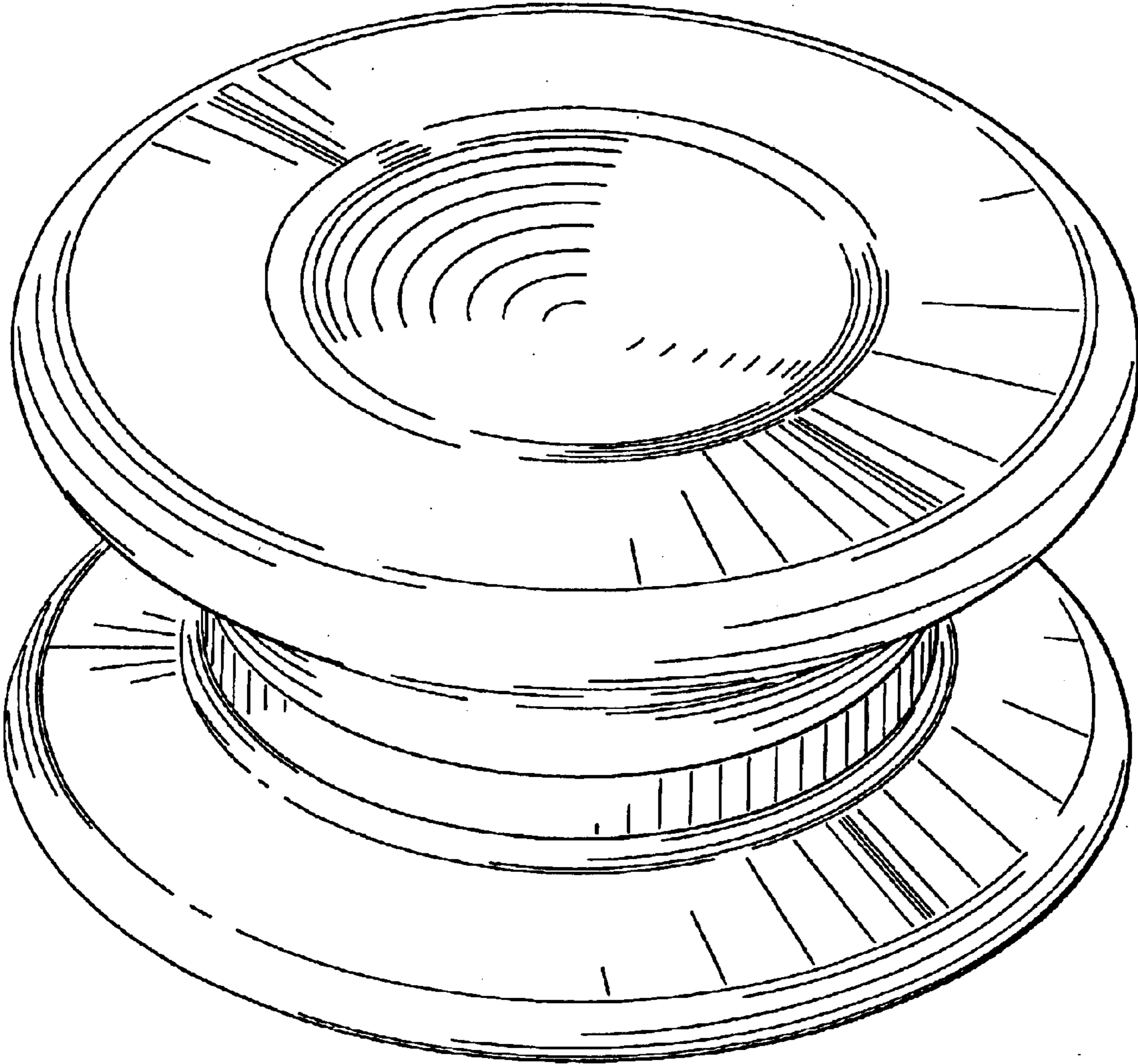


FIG.1

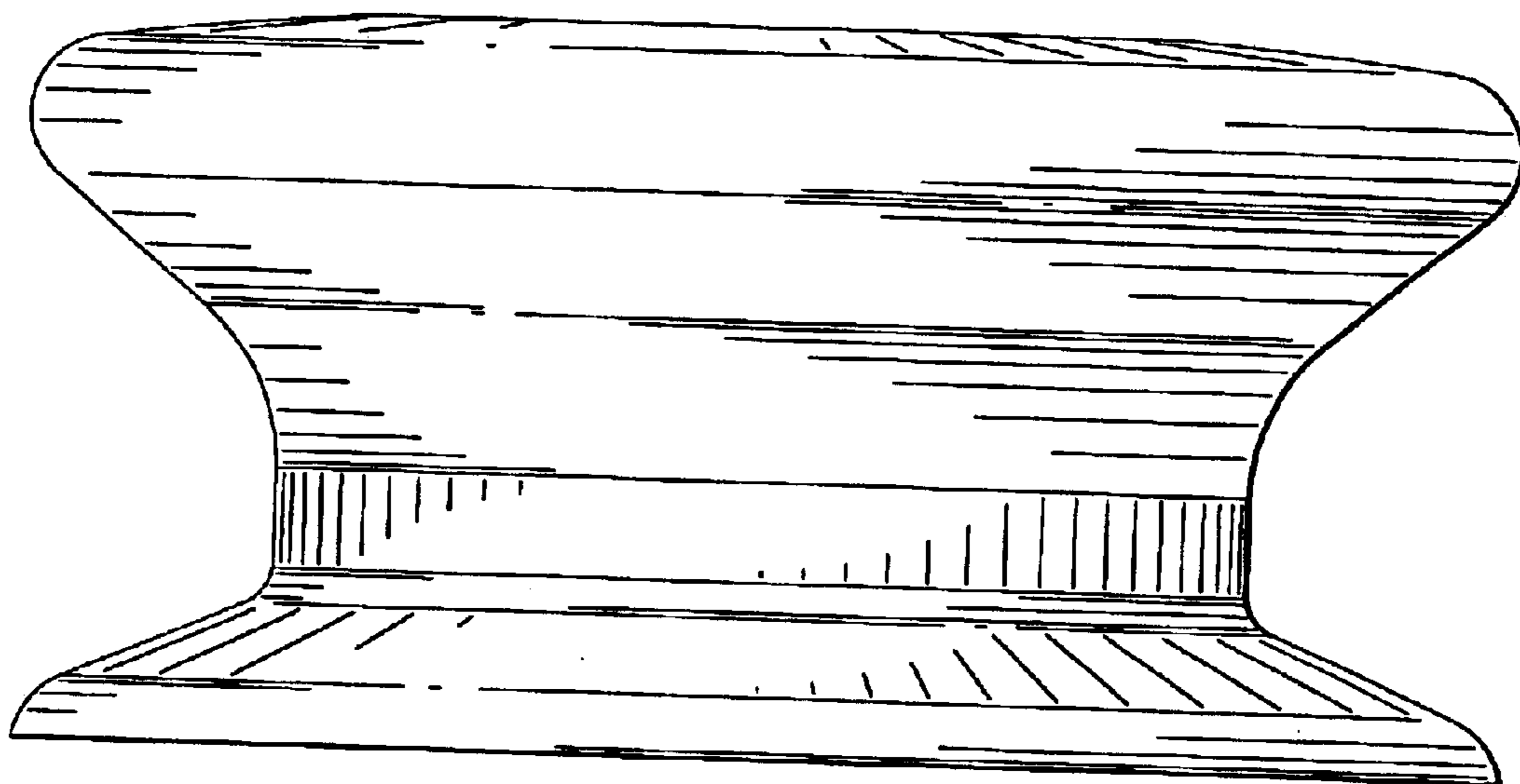


FIG.2

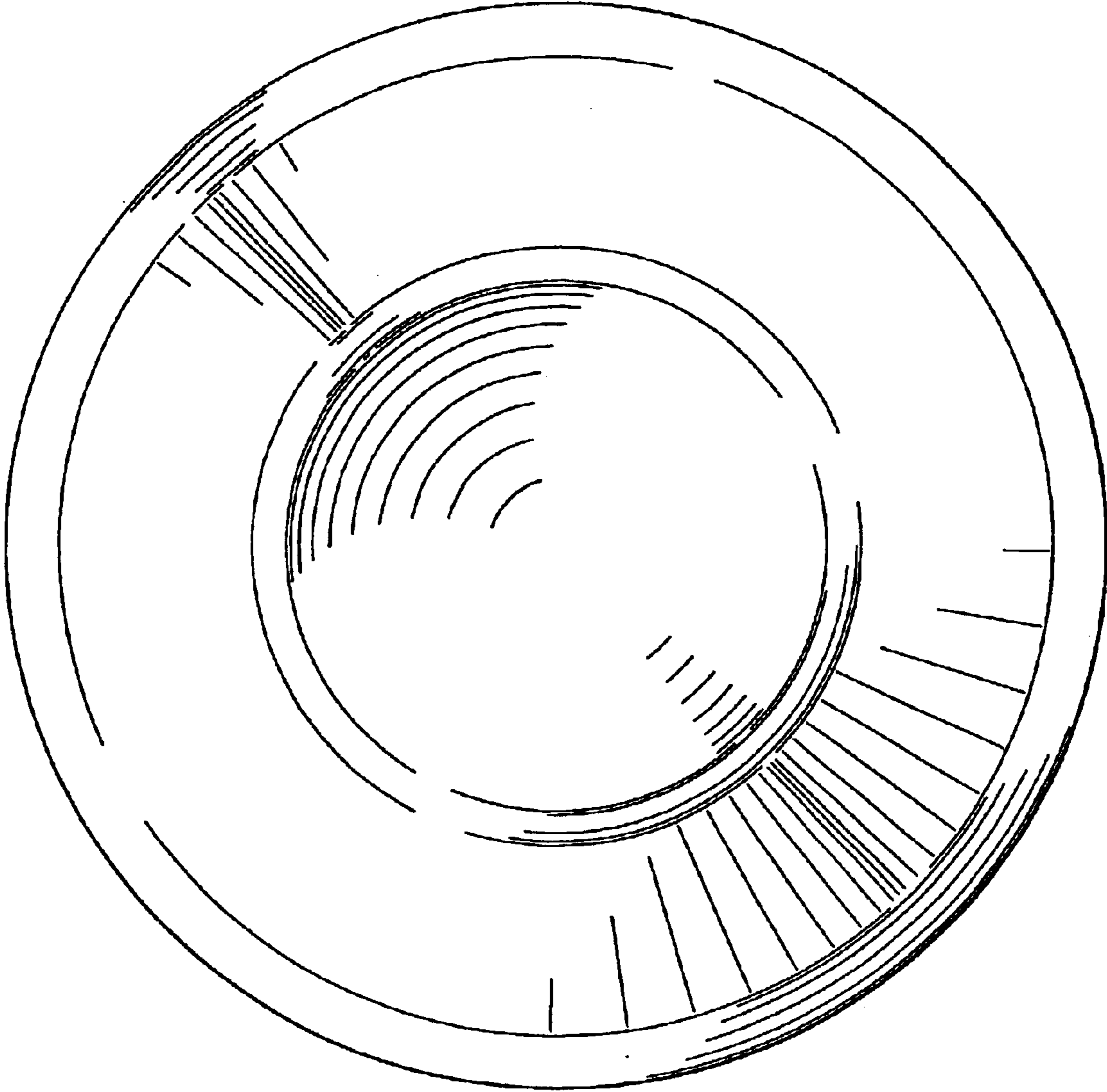


FIG.3

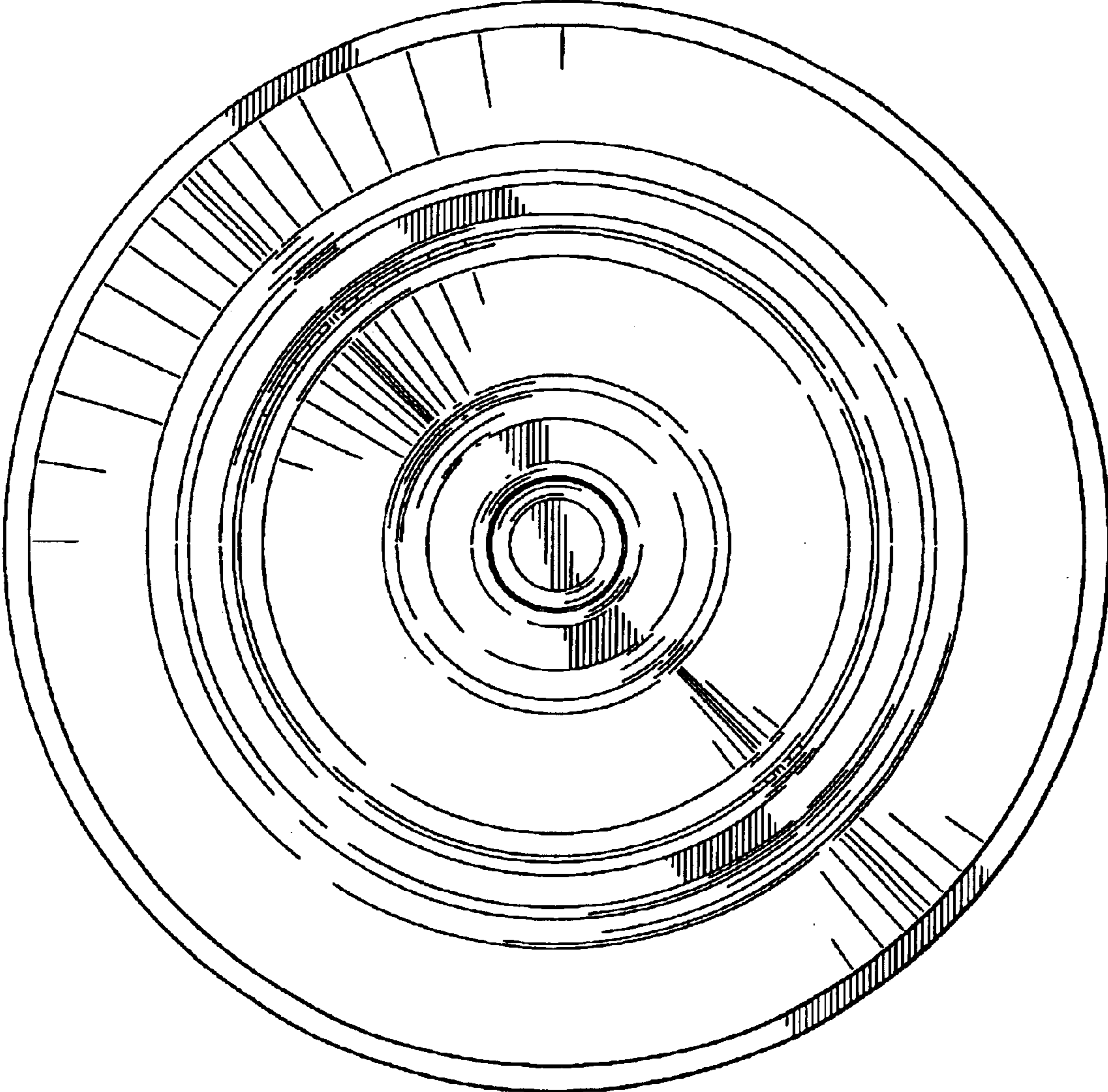


FIG.4