

US00D493059S1

(12) **United States Design Patent**
O'Connor et al.

(10) **Patent No.:** **US D493,059 S**
(45) **Date of Patent:** **** Jul. 20, 2004**

- (54) **CARAFE WITH FLARED BASE**
- (75) Inventors: **Joseph O'Connor**, London (GB);
Sebastian Conran, London (GB)
- (73) Assignee: **Megatrade International, Inc.**,
Nashville, TN (US)
- (**) Term: **14 Years**
- (21) Appl. No.: **29/174,011**
- (22) Filed: **Jan. 10, 2003**
- (51) **LOC (7) Cl.** **07-01**
- (52) **U.S. Cl.** **D7/319; D7/317**
- (58) **Field of Search** **D7/316, 317, 318,**
D7/319, 300, 598, 600; 222/146.6, 465.1,
478, 572; 220/270

- D394,981 S * 6/1998 Huang D7/319
- D394,982 S * 6/1998 Huang D7/319
- D395,576 S * 6/1998 Huang D7/319
- D396,377 S * 7/1998 Tamura D7/319
- D442,418 S * 5/2001 Hsu D7/319
- D454,468 S * 3/2002 Mano D7/318
- D463,947 S * 10/2002 Choi D7/319

* cited by examiner

Primary Examiner—M. N. Pandozzi
(74) *Attorney, Agent, or Firm*—Hunton & Williams LLP

(57) **CLAIM**

The ornamental design for a carafe with flared base, as shown and described.

DESCRIPTION

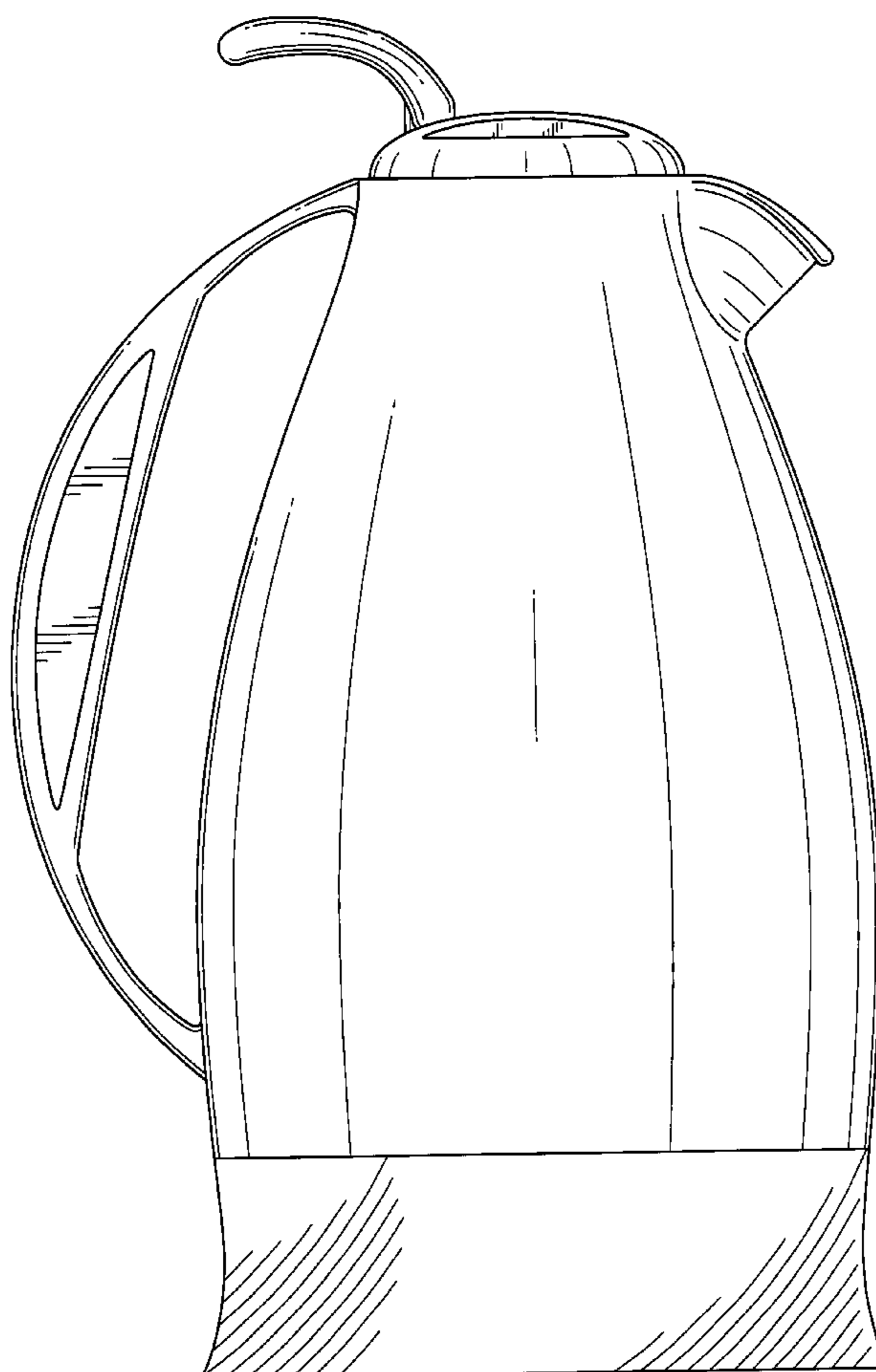
FIG. 1 is a front elevational view of the carafe with flared base showing our new design;
FIG. 2 is a rear elevational view thereof;
FIG. 3 is a side elevational view thereof;
FIG. 4 is an exploded side elevational view thereof;
FIG. 5 is a top plan view thereof; and,
FIG. 6 is a bottom plan view thereof.

1 Claim, 6 Drawing Sheets

(56) **References Cited**

U.S. PATENT DOCUMENTS

- D308,153 S * 5/1990 Collins D7/322
- D369,714 S * 5/1996 Huang D7/319
- D389,369 S * 1/1998 Hippen D7/319
- D390,743 S * 2/1998 Saltet D7/319



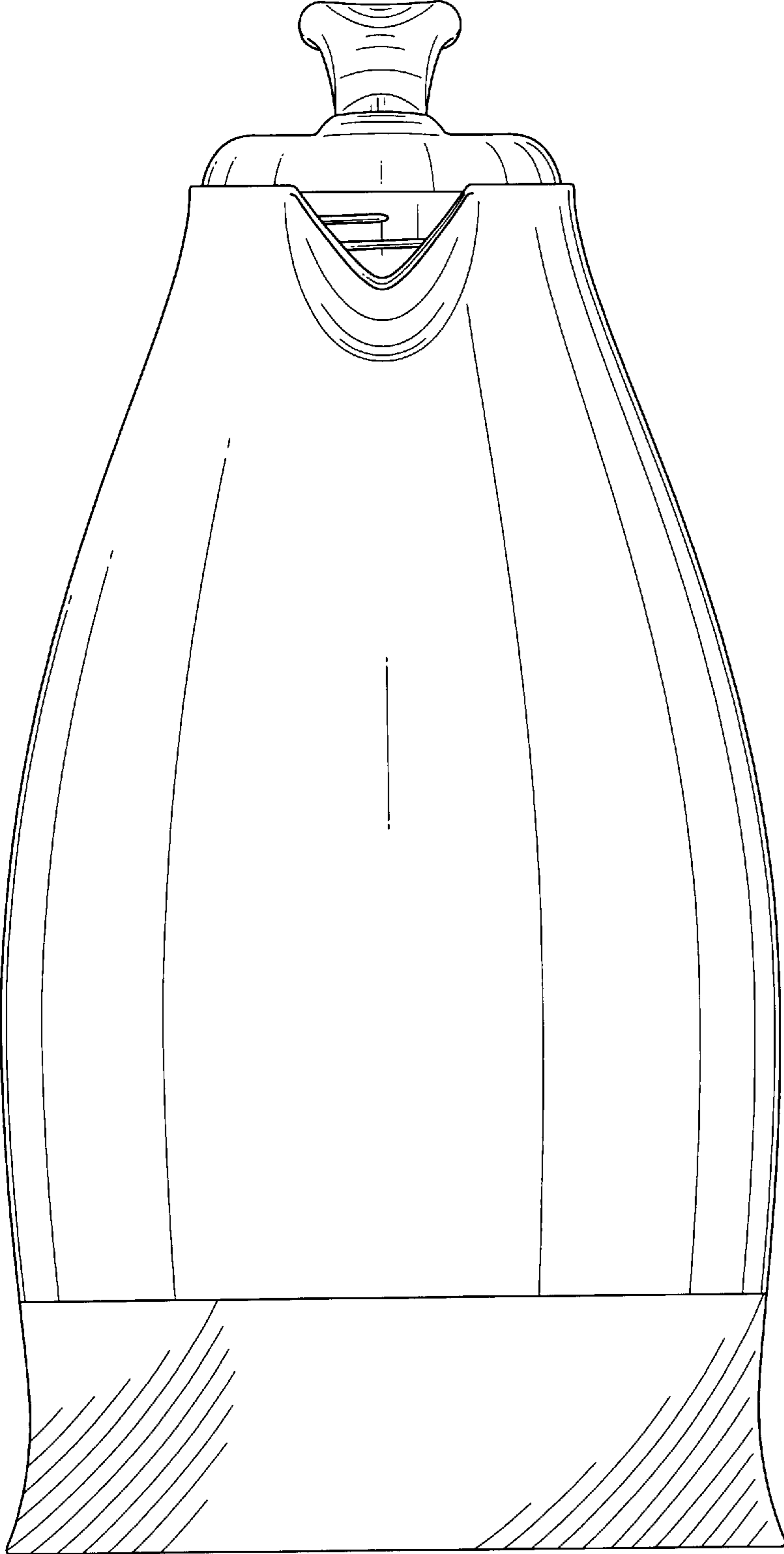


FIG. 1

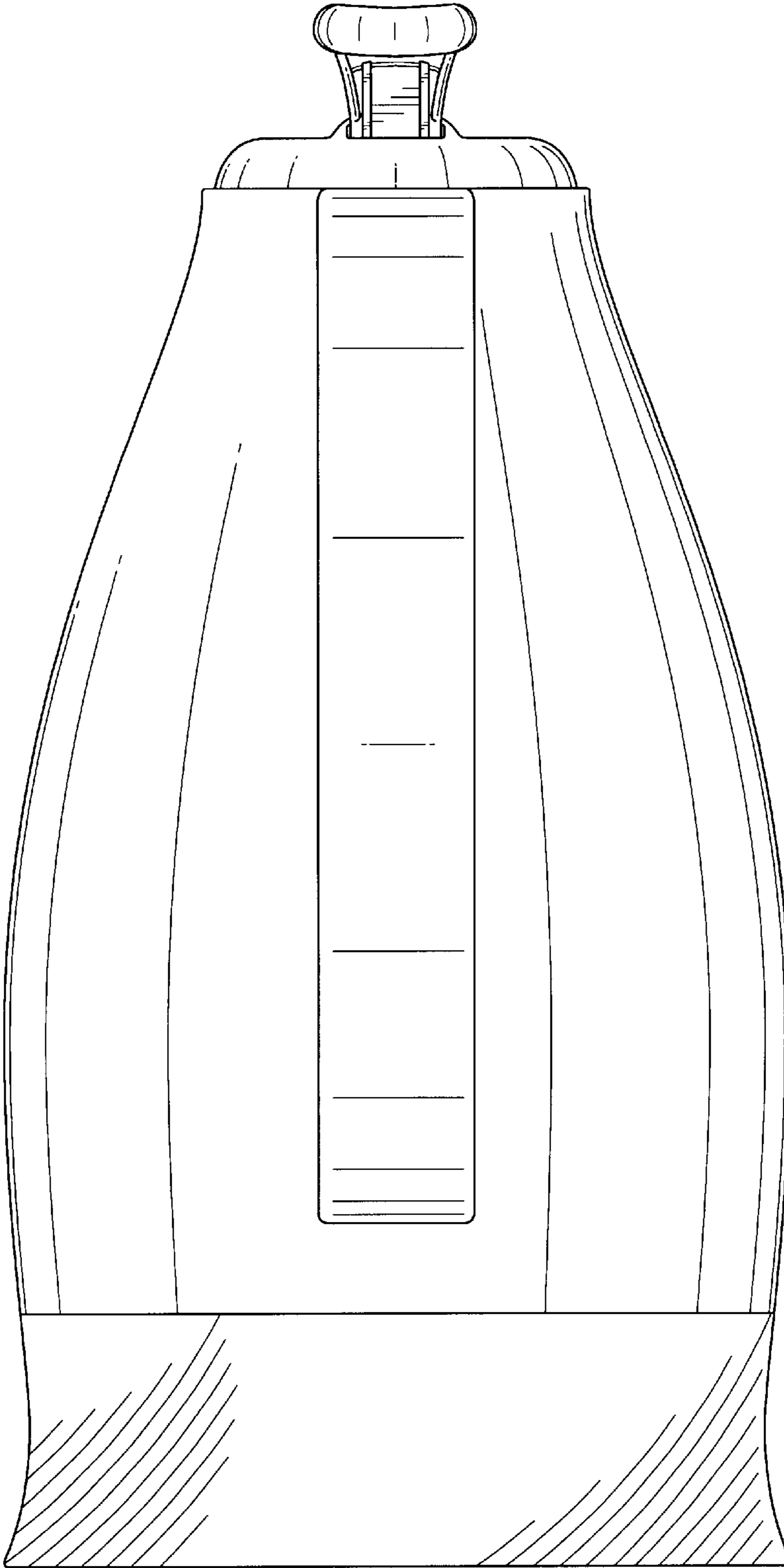


FIG. 2



FIG. 3

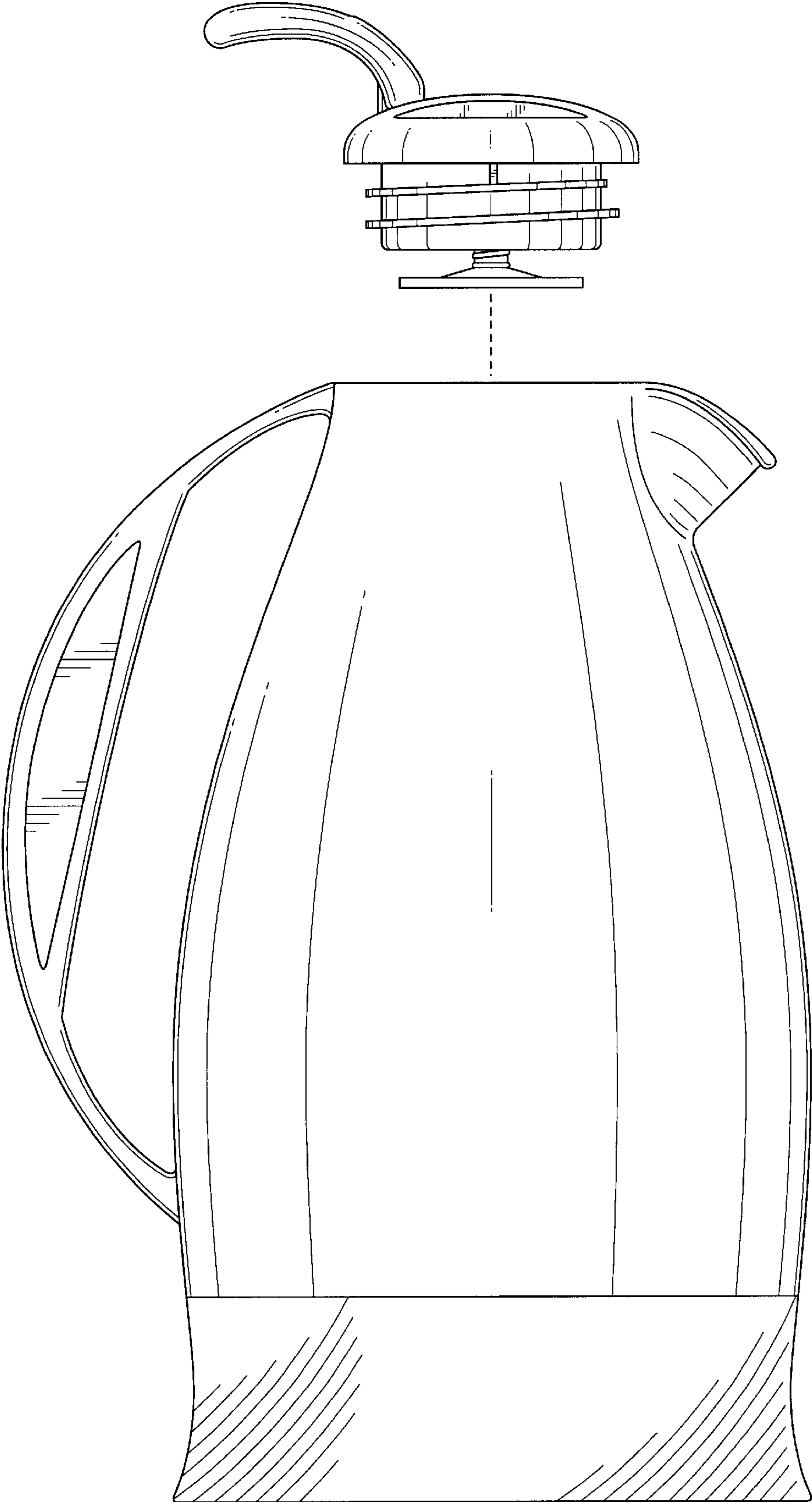


FIG. 4

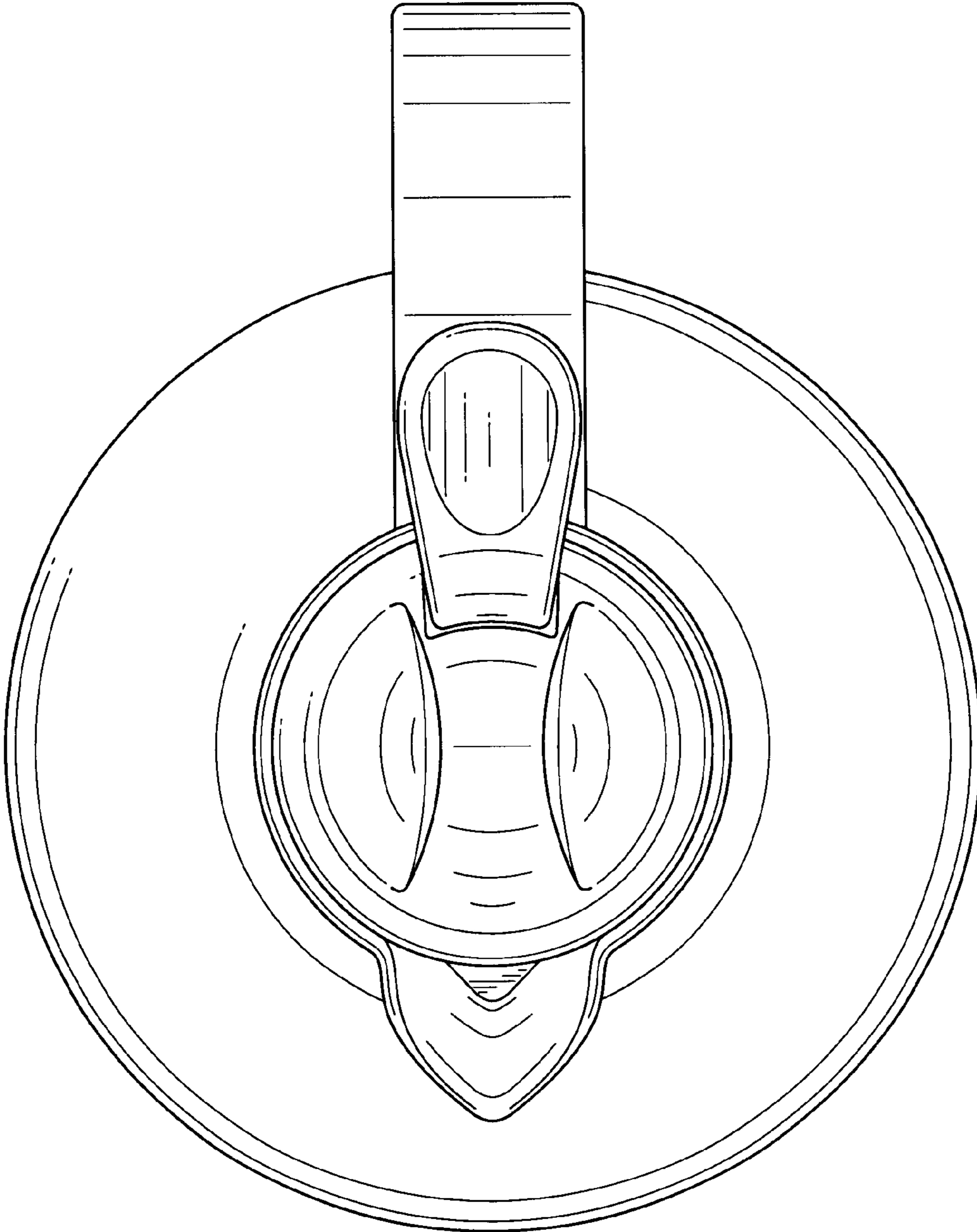


FIG. 5

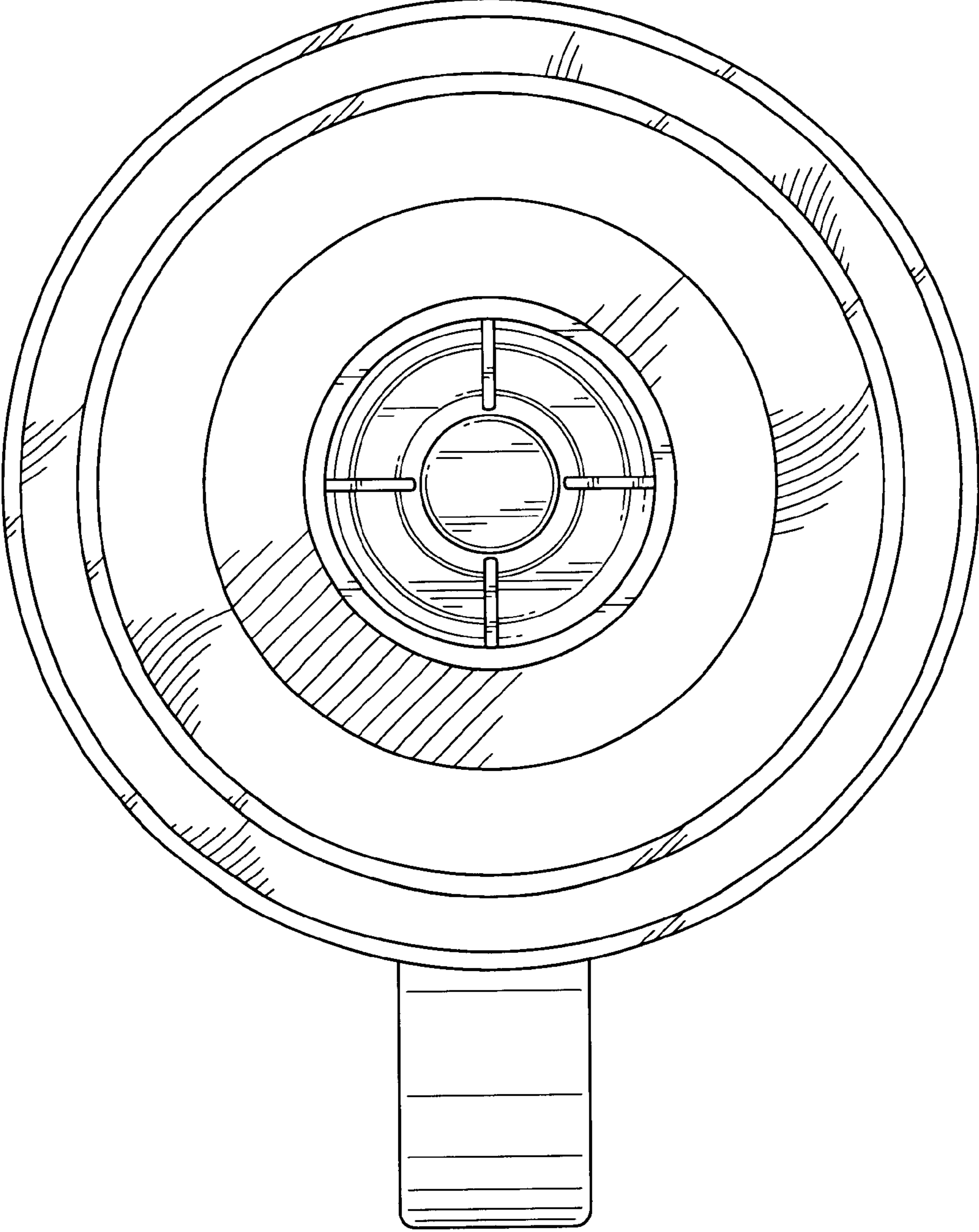


FIG. 6