

US00D493058S1

(12) **United States Design Patent**
Hunt et al.

(10) **Patent No.:** **US D493,058 S**
(45) **Date of Patent:** **** Jul. 20, 2004**

(54) **DISK STORAGE DEVICE**

(75) Inventors: **Ronald Eugene Hunt**, Georgetown, TX (US); **Verlon Eugene Whitehead**, Austin, TX (US)

(73) Assignee: **CD3 Storage System, Inc.**, Austin, TX (US)

(**) Term: **14 Years**

(21) Appl. No.: **29/195,147**

(22) Filed: **Dec. 5, 2003**

(51) **LOC (7) Cl.** **06-04**

(52) **U.S. Cl.** **D6/631**

(58) **Field of Search** D6/407, 441, 629, D6/630, 631-633, 478, 479; 206/307, 308.1, 387.14; 211/36-43, 85.31, 134, 186-189, 153, 194; 312/9.1, 9.8, 9.41, 9.47, 9.32, 9.53, 9.54, 9.64

(56) **References Cited**

U.S. PATENT DOCUMENTS

D293,396 S	*	12/1987	Womack et al.	D6/407
D379,131 S	*	5/1997	Ohta	D6/635
5,683,153 A	*	11/1997	Ohta	312/9.1
D417,813 S	*	12/1999	Cheris et al.	D6/632
D483,965 S	*	12/2003	Cassel	D6/448

* cited by examiner

Primary Examiner—Cathron Brooks

(74) *Attorney, Agent, or Firm*—Andrew J. Dillon; Dillon & Yudell LLP

(57) **CLAIM**

The ornamental design for the disk storage device, as shown and described.

DESCRIPTION

FIG. 1 is a front perspective view of the disk storage device of the present invention.

FIG. 2 is a front perspective view of the disk storage device in open state of the present invention.

FIG. 3 is a top plan view of the disk storage device of the present invention.

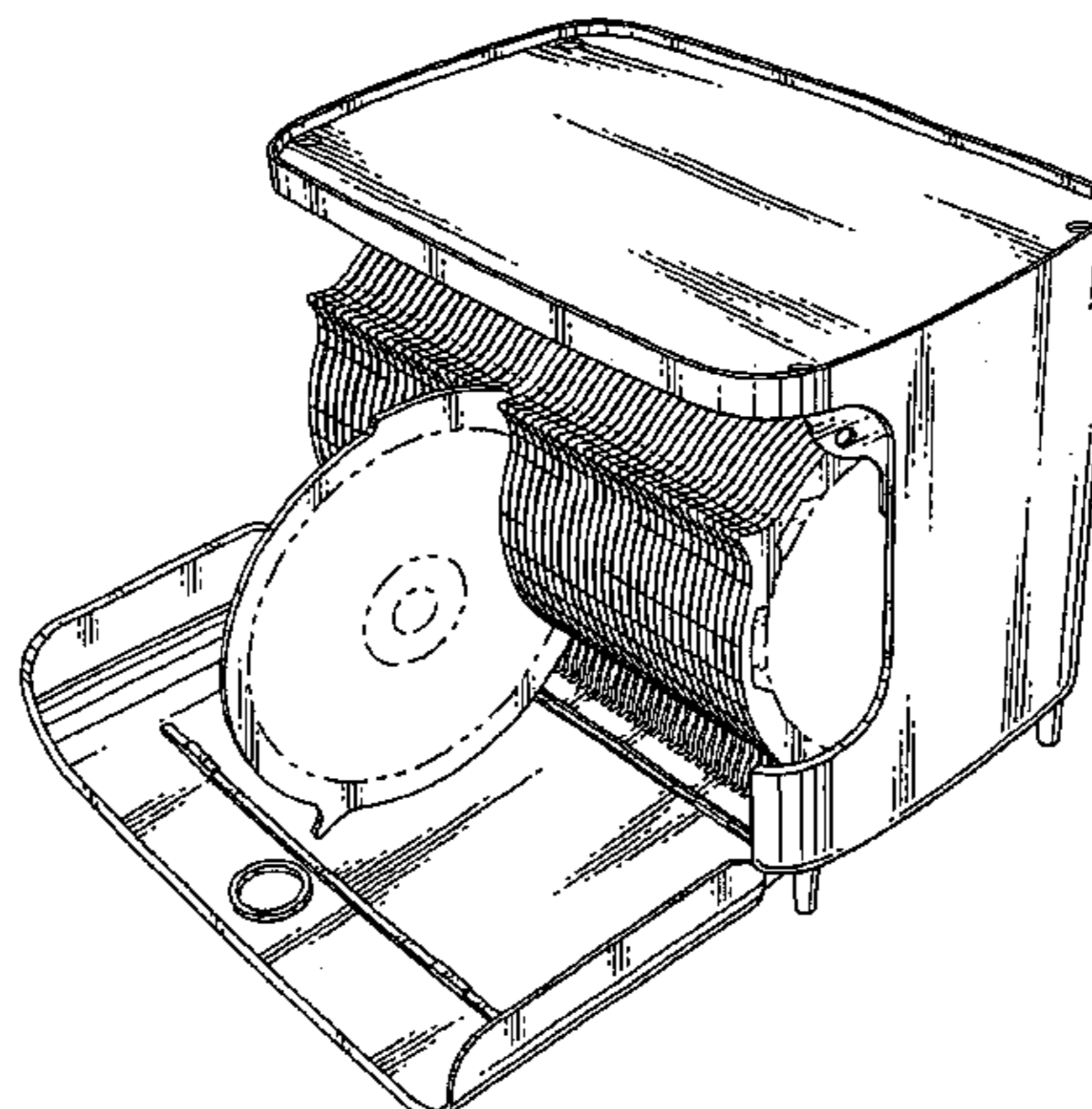
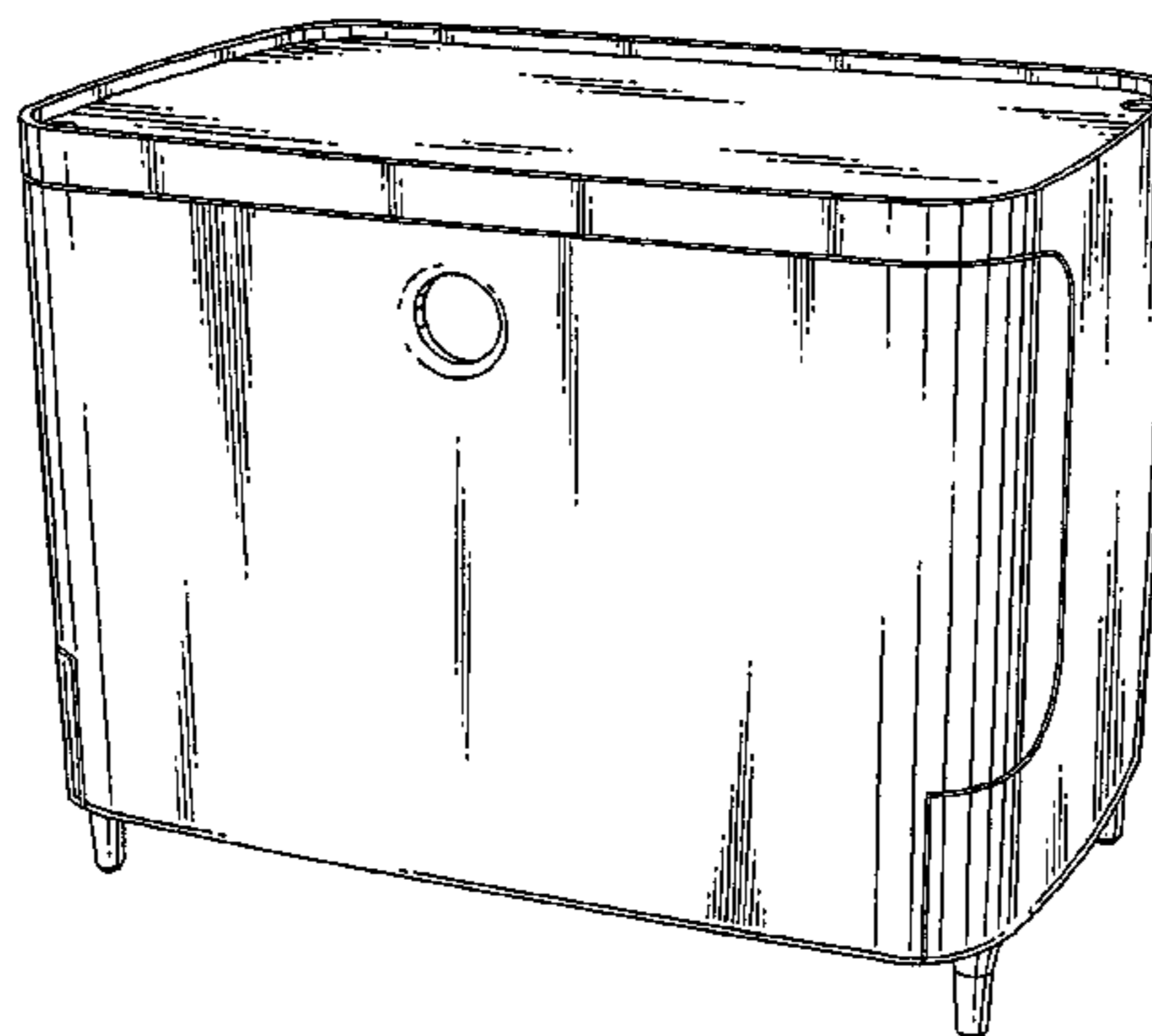
FIG. 4 is a front side elevational view of the disk storage device of the present invention.

FIG. 5 is a left side elevational view, the right side being a mirror image thereof, of the disk storage device of the present invention.

FIG. 6 is a rear side elevational view of the disk storage device of the present invention; and,

FIG. 7 is a bottom plan view of the disk storage device of the present invention.

1 Claim, 5 Drawing Sheets



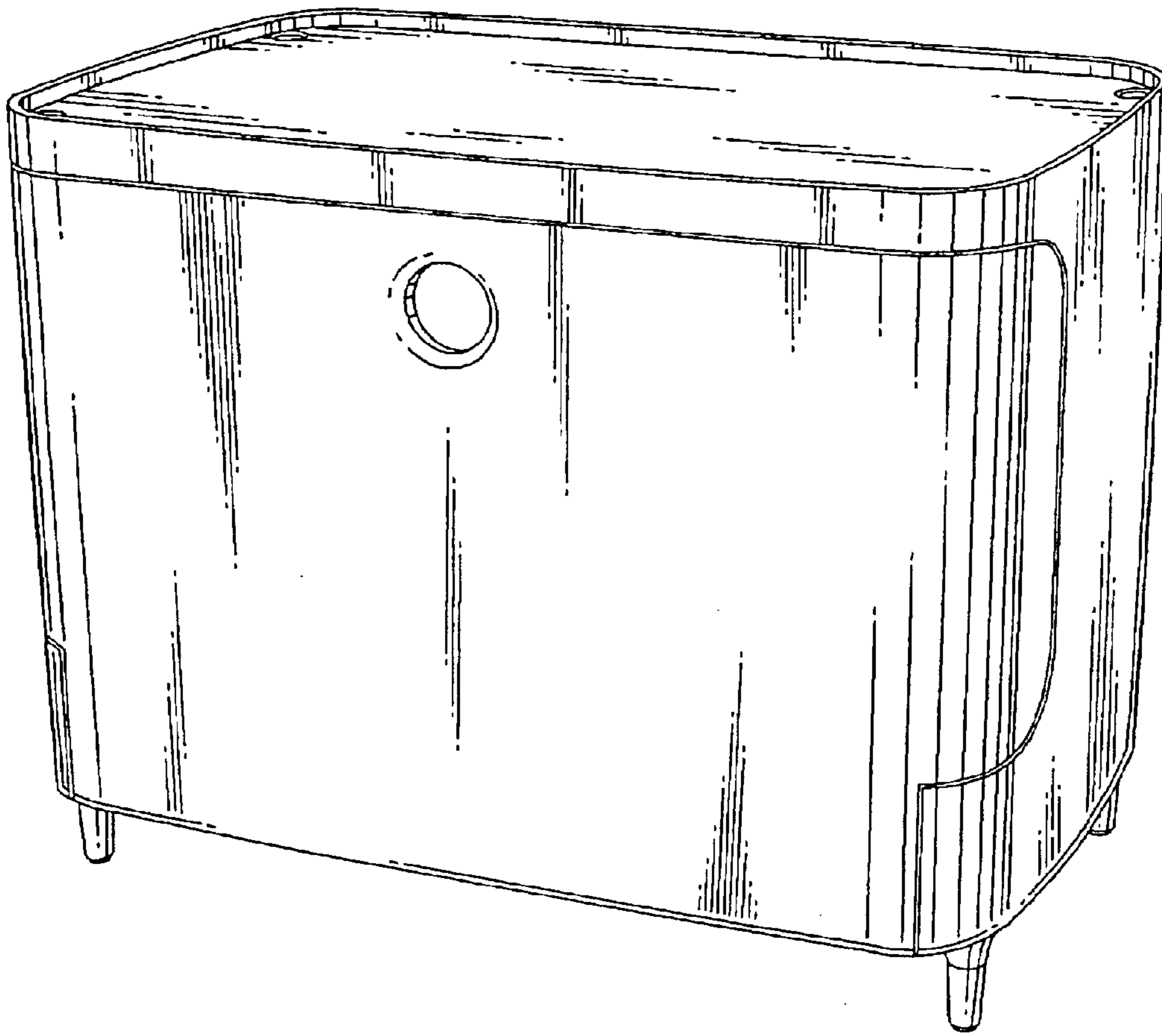


Fig. 1

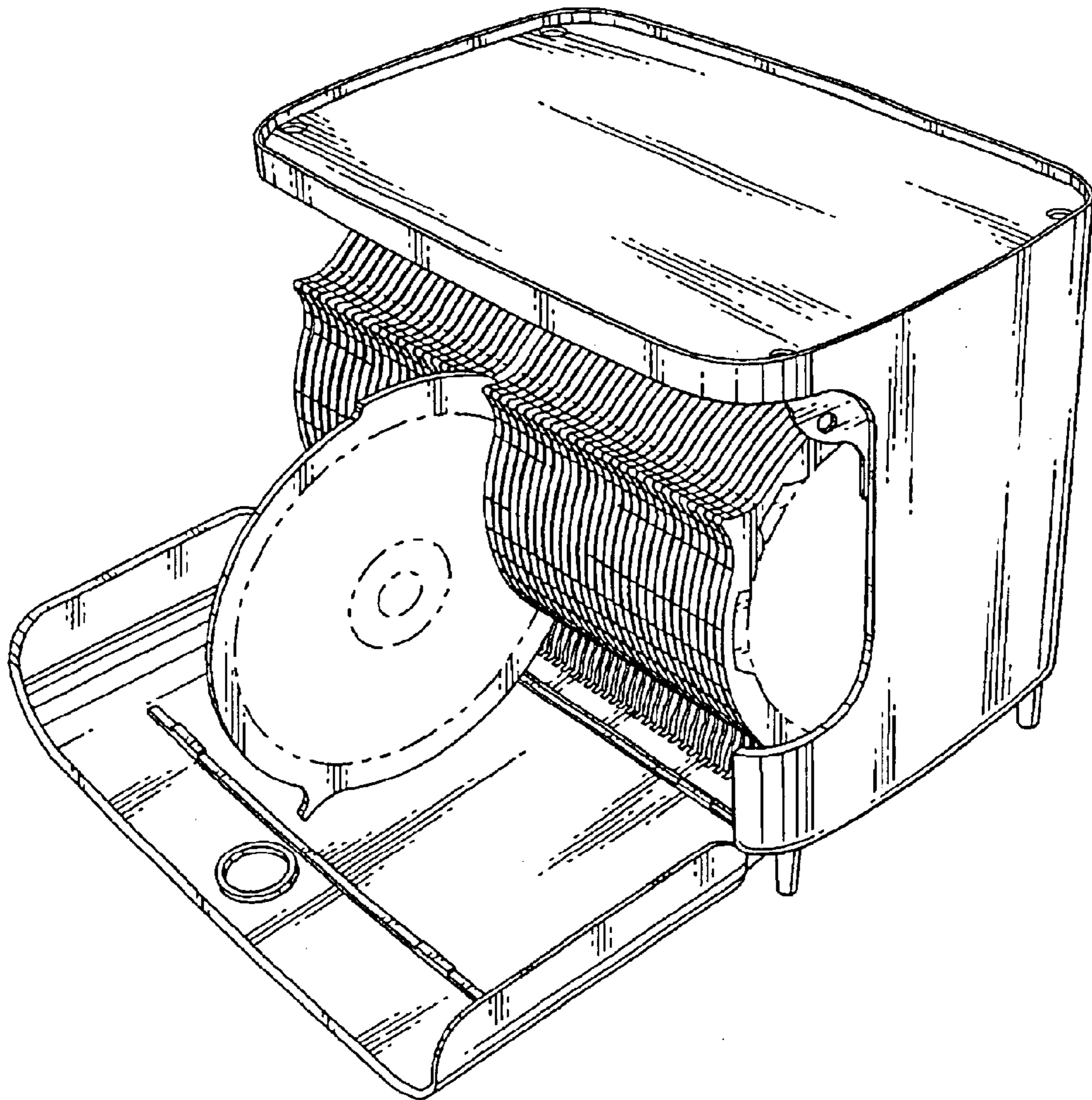


Fig. 2

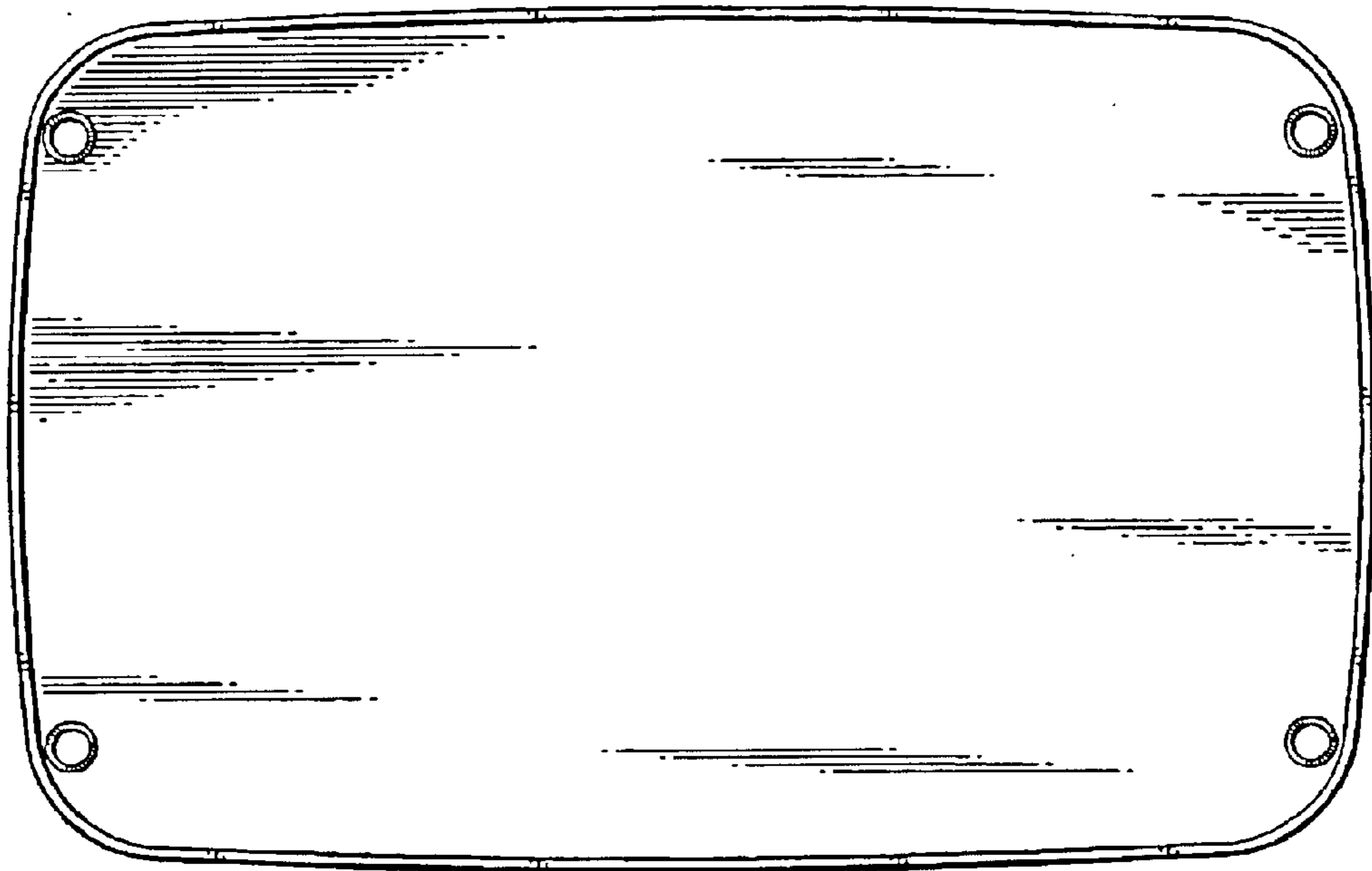


Fig. 3

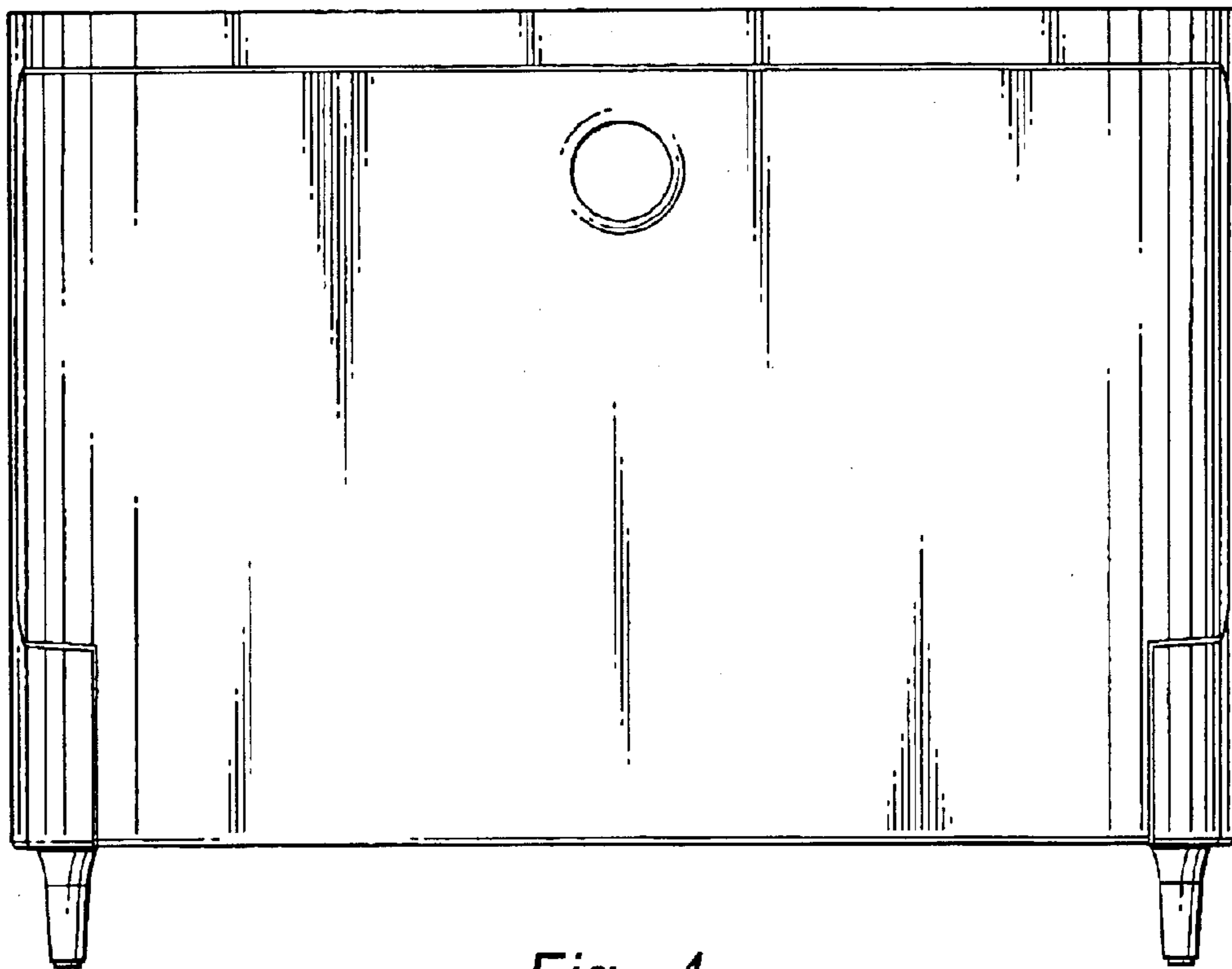


Fig. 4

Fig. 5

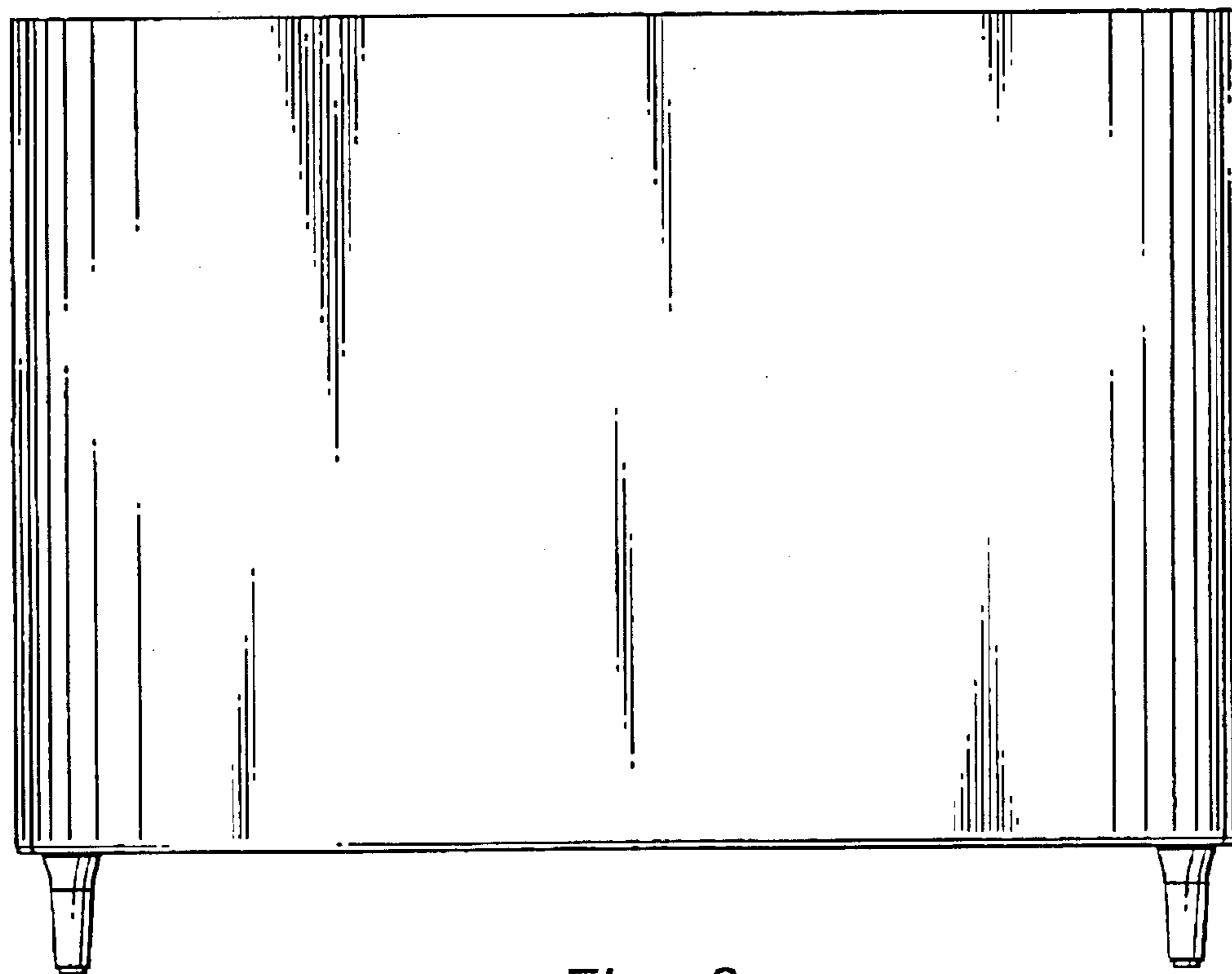
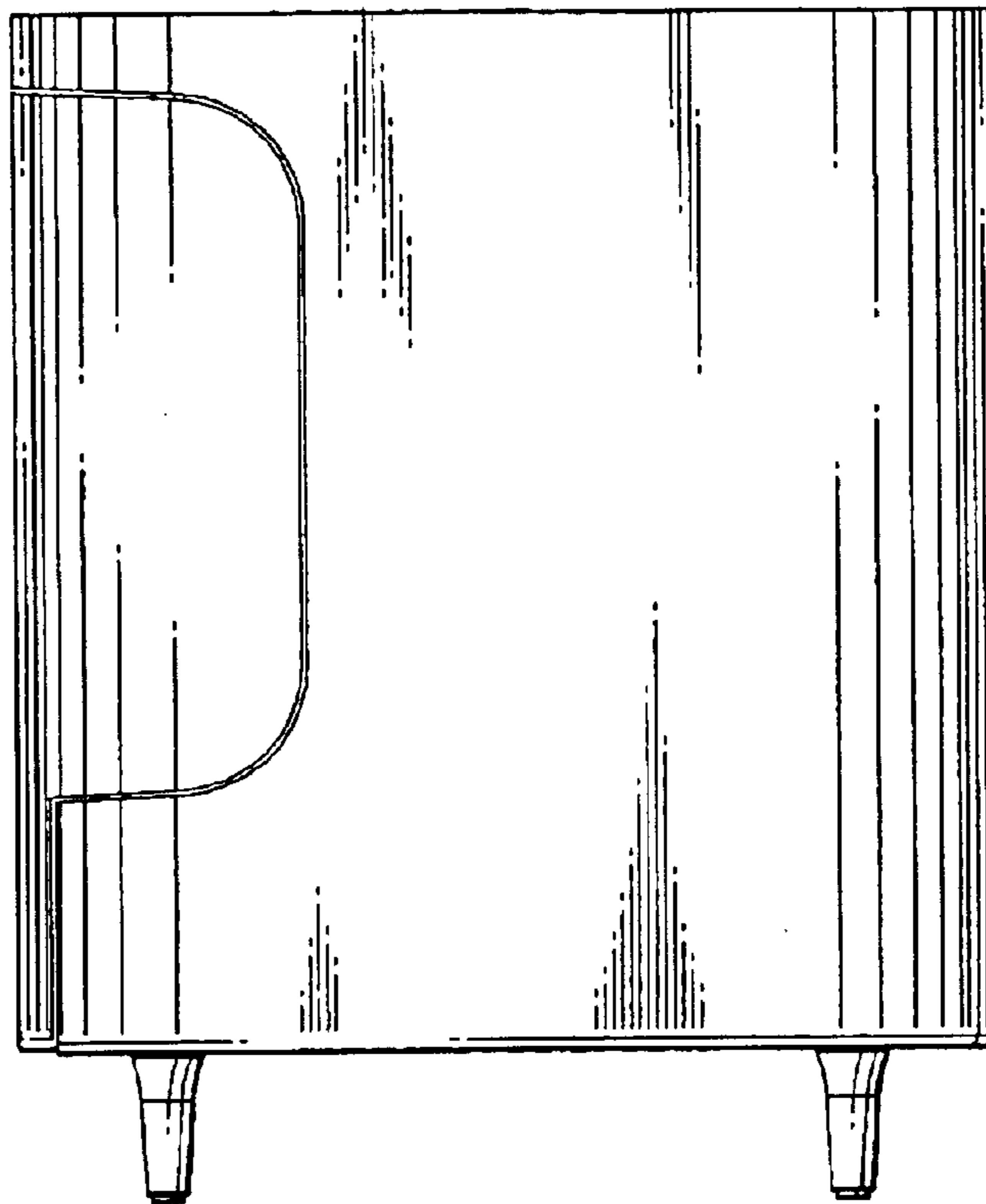


Fig. 6

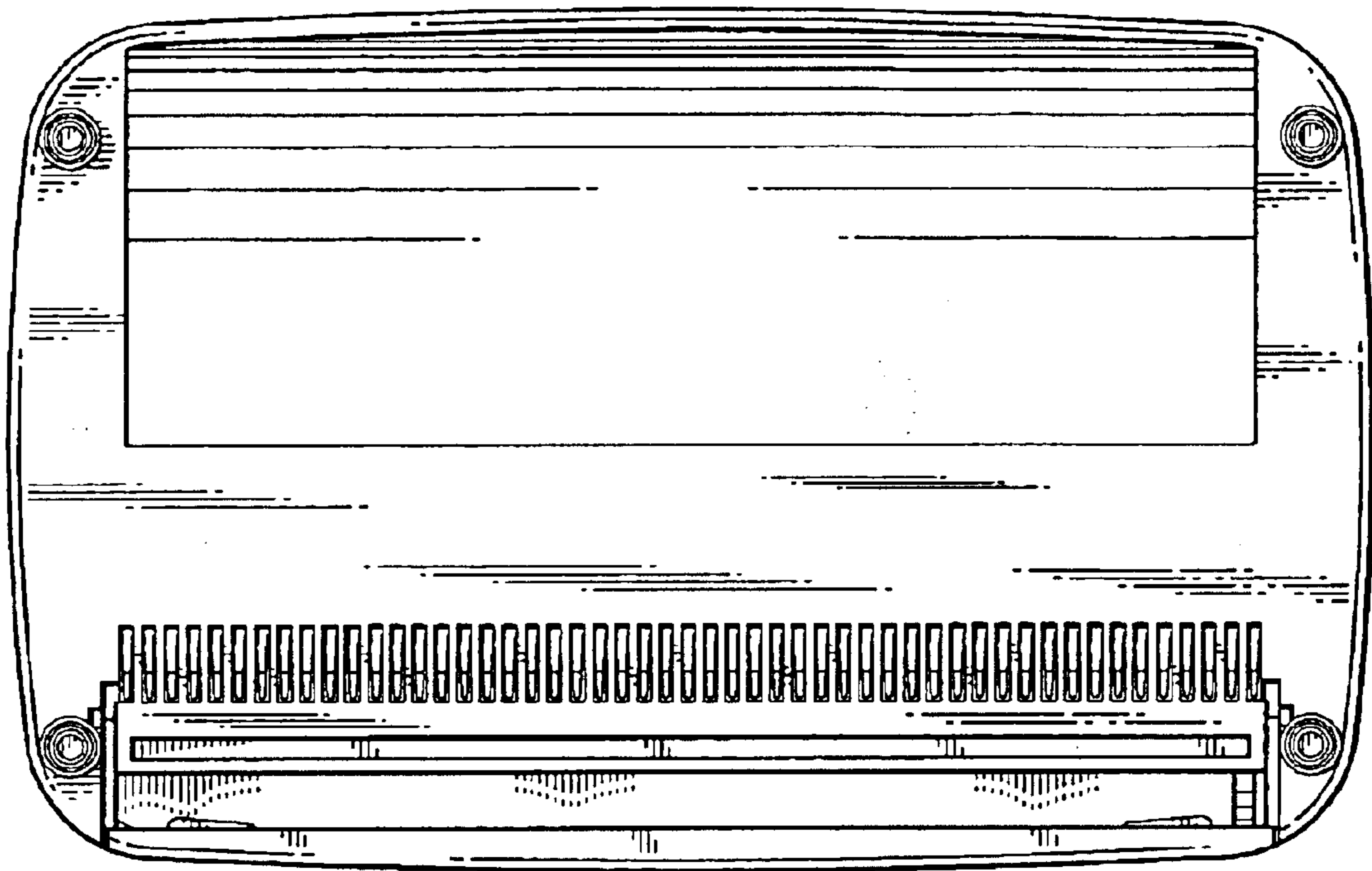


Fig. 7