

US00D493044S1

(12) **United States Design Patent**  
**Sciandra**

(10) **Patent No.:** **US D493,044 S**

(45) **Date of Patent:** **\*\* Jul. 20, 2004**

(54) **MULTIPLE PURPOSE POLE STAND**

(76) **Inventor:** **Carol S. Sciandra**, 7830 - 44th St.  
North, Pinellas Park, FL (US) 33781

(\*\*) **Term:** **14 Years**

(21) **Appl. No.:** **29/191,653**

(22) **Filed:** **Oct. 10, 2003**

(51) **LOC (7) Cl.** ..... **06-04**

(52) **U.S. Cl.** ..... **D6/462; D6/466**

(58) **Field of Search** ..... D6/329, 409-418,  
D6/449, 455, 457, 458, 462, 467, 552;  
D17/99; D26/8; 211/13.1, 181.1, 182, 189,  
195, 196, 205

(56) **References Cited**

**U.S. PATENT DOCUMENTS**

D302,364 S	*	7/1989	Stewart	.....	D6/467
D307,989 S	*	5/1990	Stewart	.....	D6/467
D322,449 S	*	12/1991	Hunt	.....	D17/99
5,503,312 A	*	4/1996	Kassner	.....	211/182
5,520,293 A	*	5/1996	Hartley	.....	211/182
D421,866 S	*	3/2000	Long	.....	D6/552
D429,921 S	*	8/2000	Allanson	.....	D6/458
D446,948 S		8/2001	Sciandra		
D464,447 S	*	10/2002	Yeh	.....	D26/8
D468,558 S		1/2003	Sciandra		

\* cited by examiner

*Primary Examiner*—Stacia Cadmus

*Assistant Examiner*—Mimosa De

(74) *Attorney, Agent, or Firm*—Larson & Larson, PA;  
James E. Larson

(57) **CLAIM**

The ornamental design for a multiple purpose pole stand, as shown and described.

**DESCRIPTION**

FIG. 1 is a front elevational view of a multiple purpose pole stand showing my novel design;

FIG. 2 is a rear elevational view thereof;

FIG. 3 is a left side view thereof;

FIG. 4 is a right side view thereof;

FIG. 5 is a top plan view thereof;

FIG. 6 is a bottom plan view thereof;

FIG. 7 is a perspective view of a multiple purpose pole stand of a first embodiment of the present invention; and,

FIG. 8 is a perspective view of a second embodiment of a multiple purpose pole stand of the present invention.

The broken lines shown in FIGS. 7 and 8 are for illustrative purposes only and form no part of the overall claimed design.

**1 Claim, 5 Drawing Sheets**

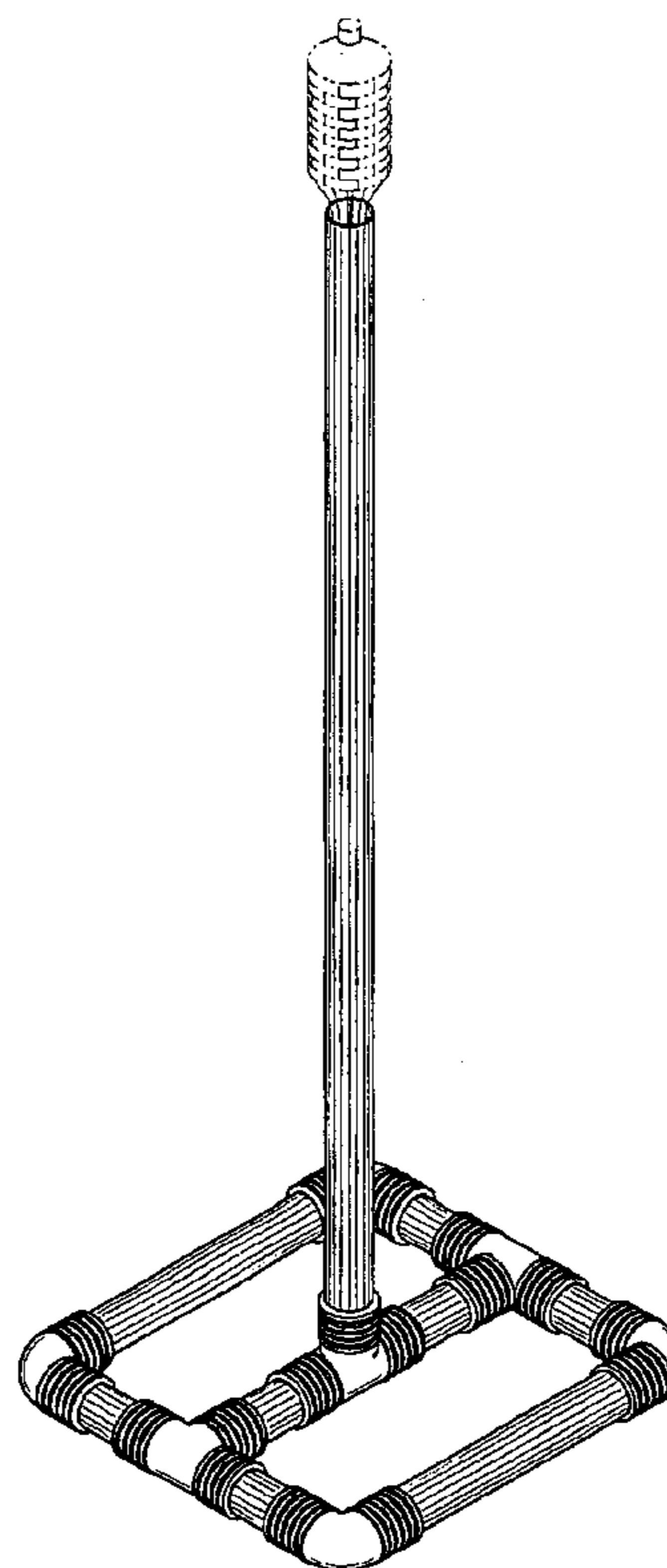
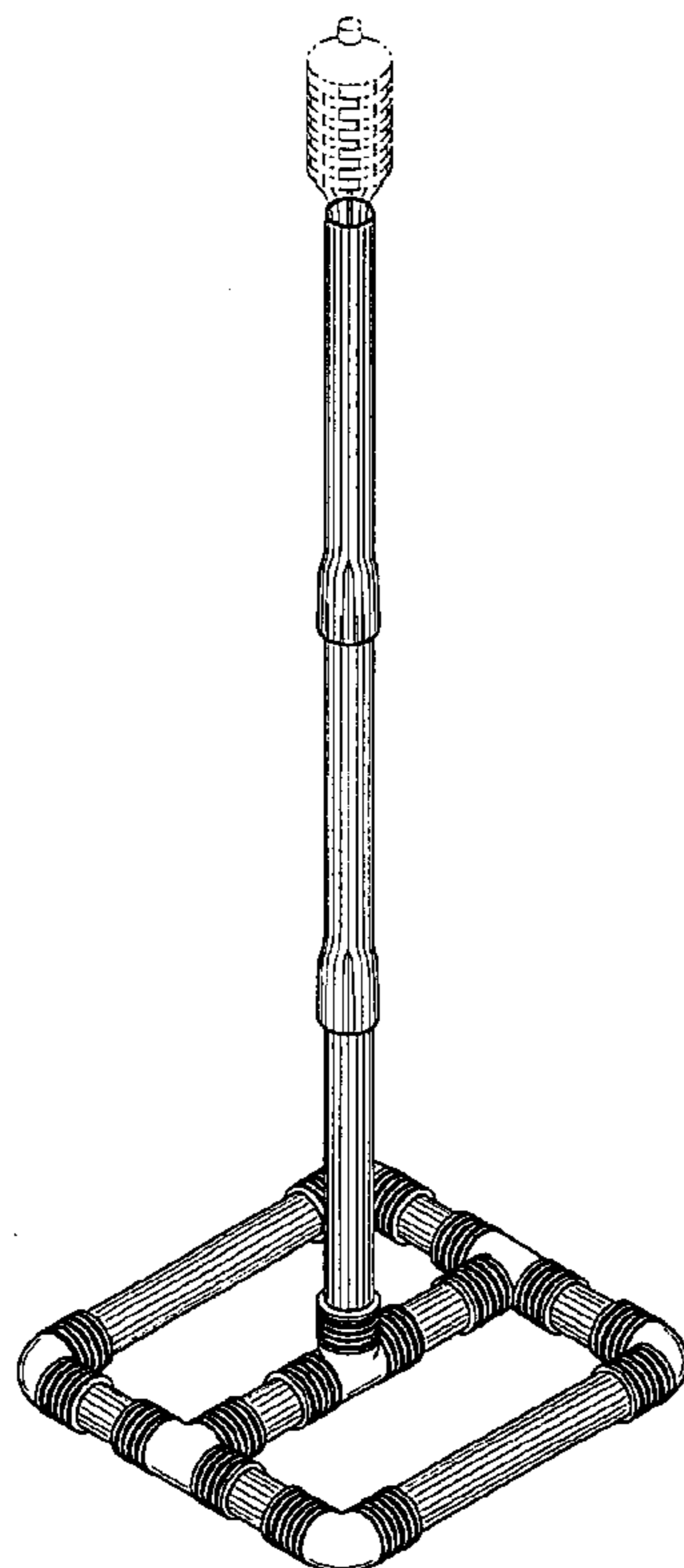


FIG. 1

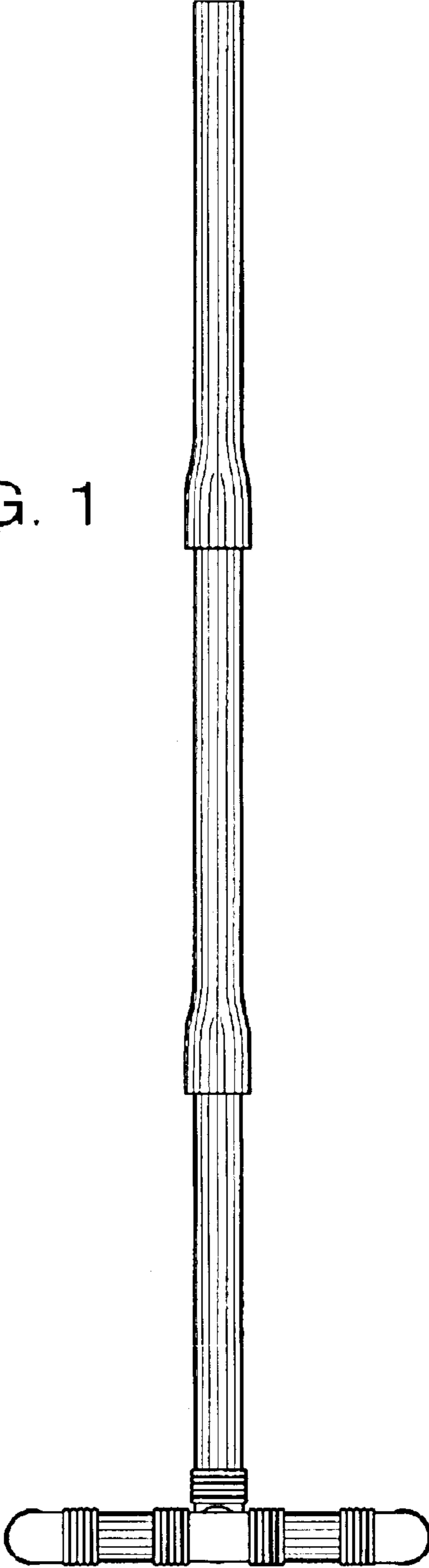


FIG. 2

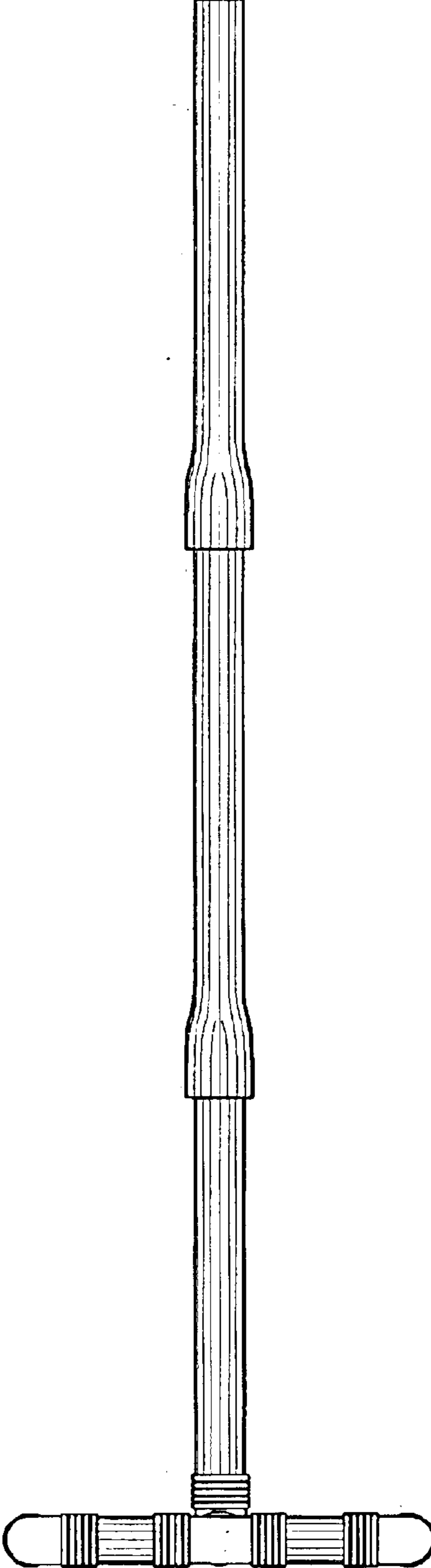


FIG. 3

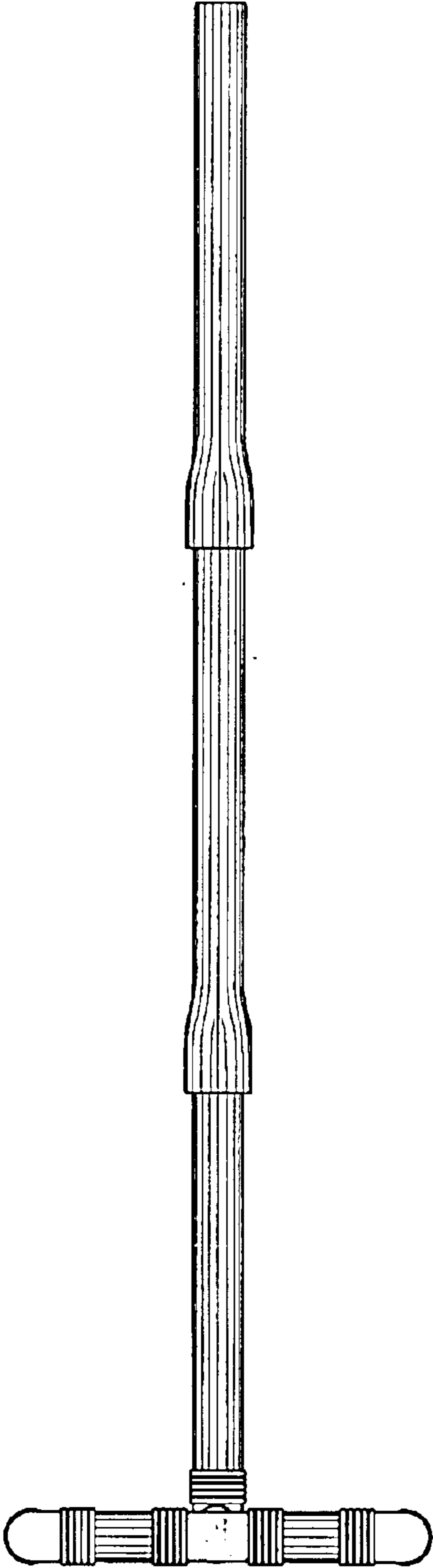


FIG. 4

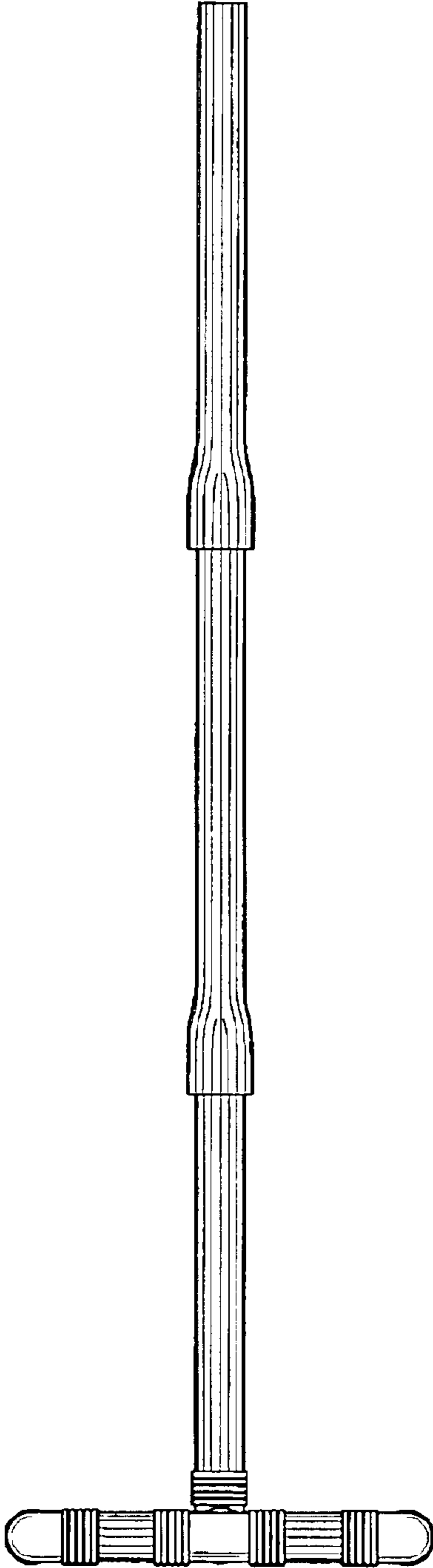


FIG. 5

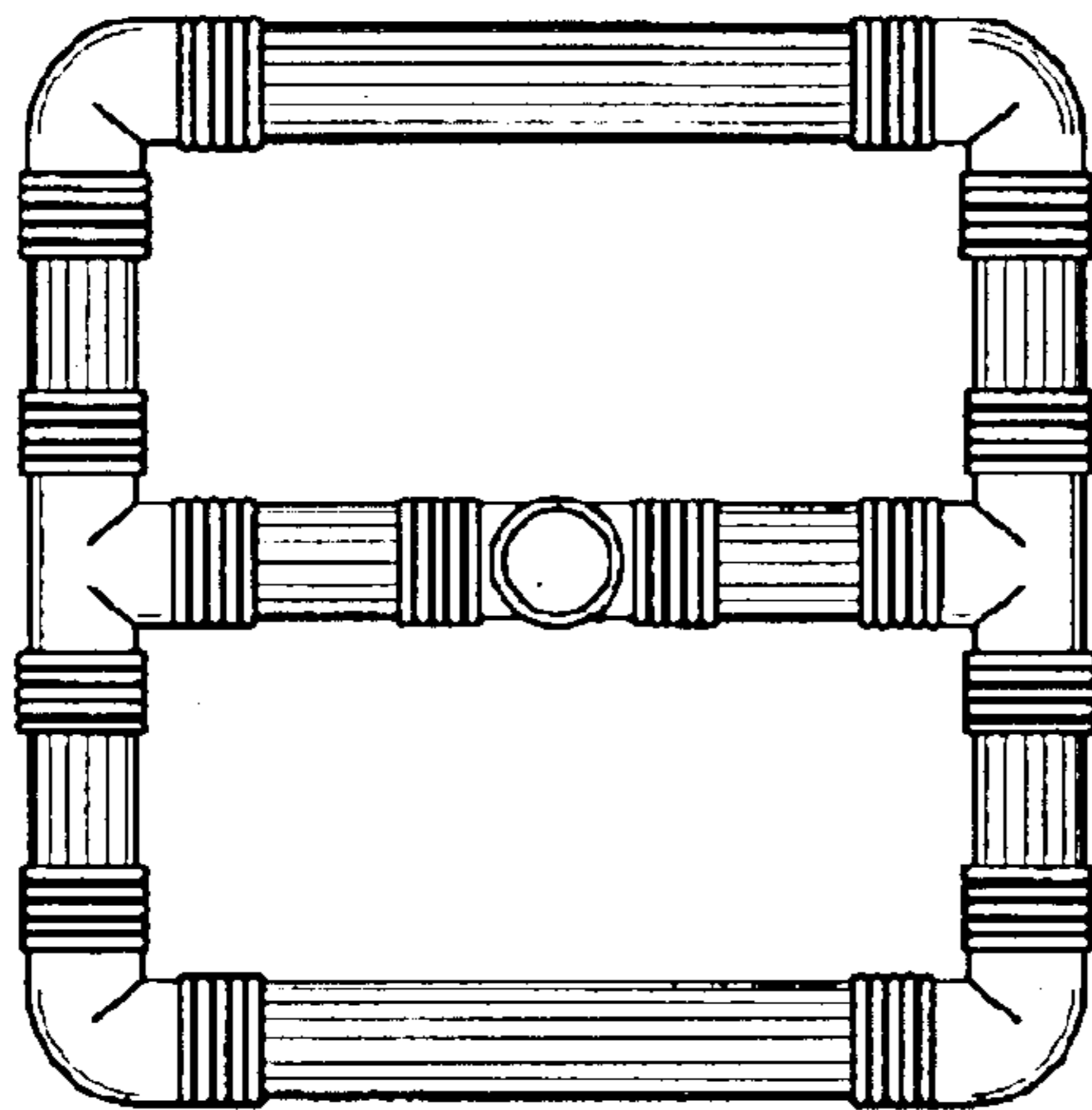


FIG. 6

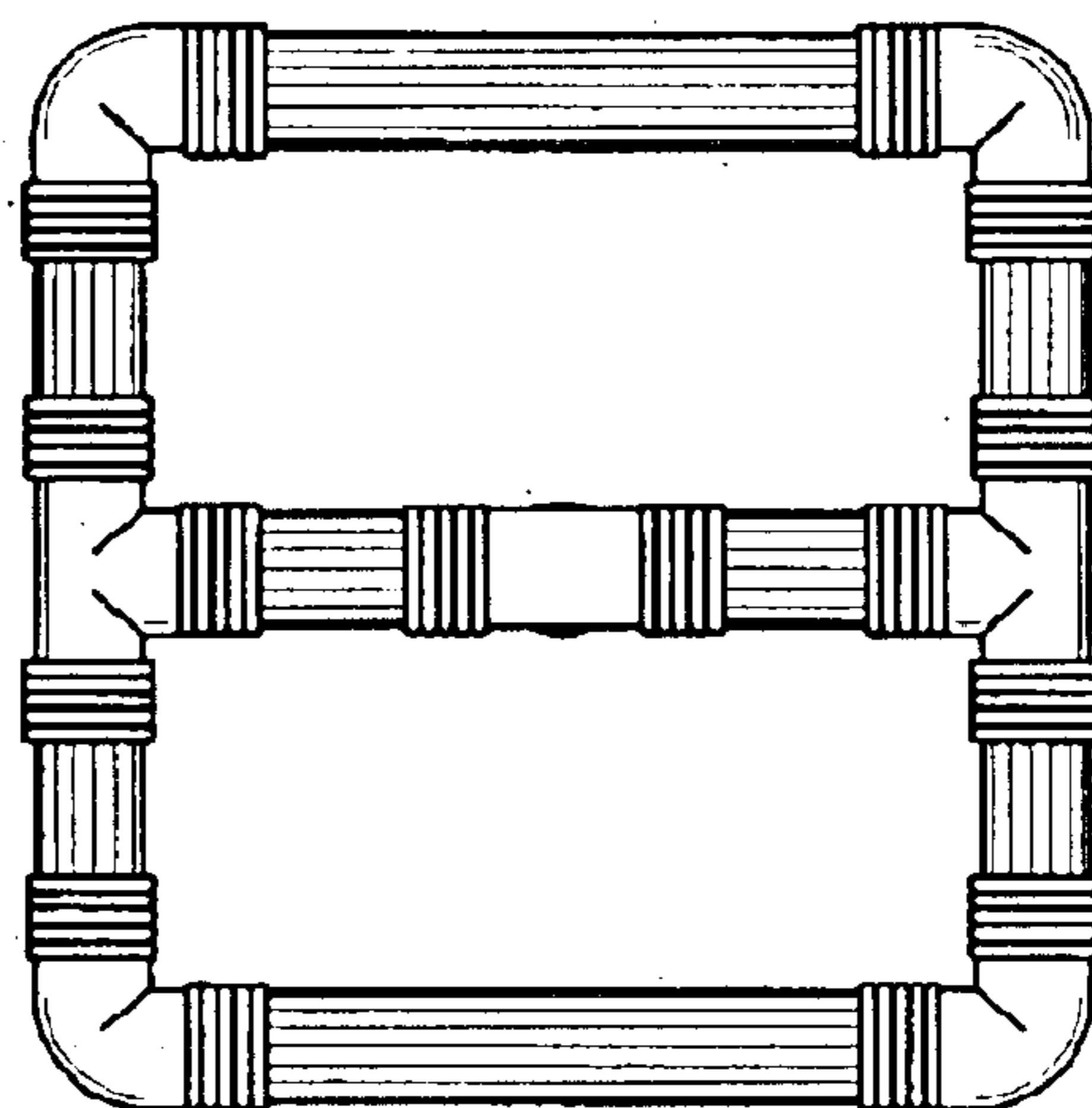


FIG. 7

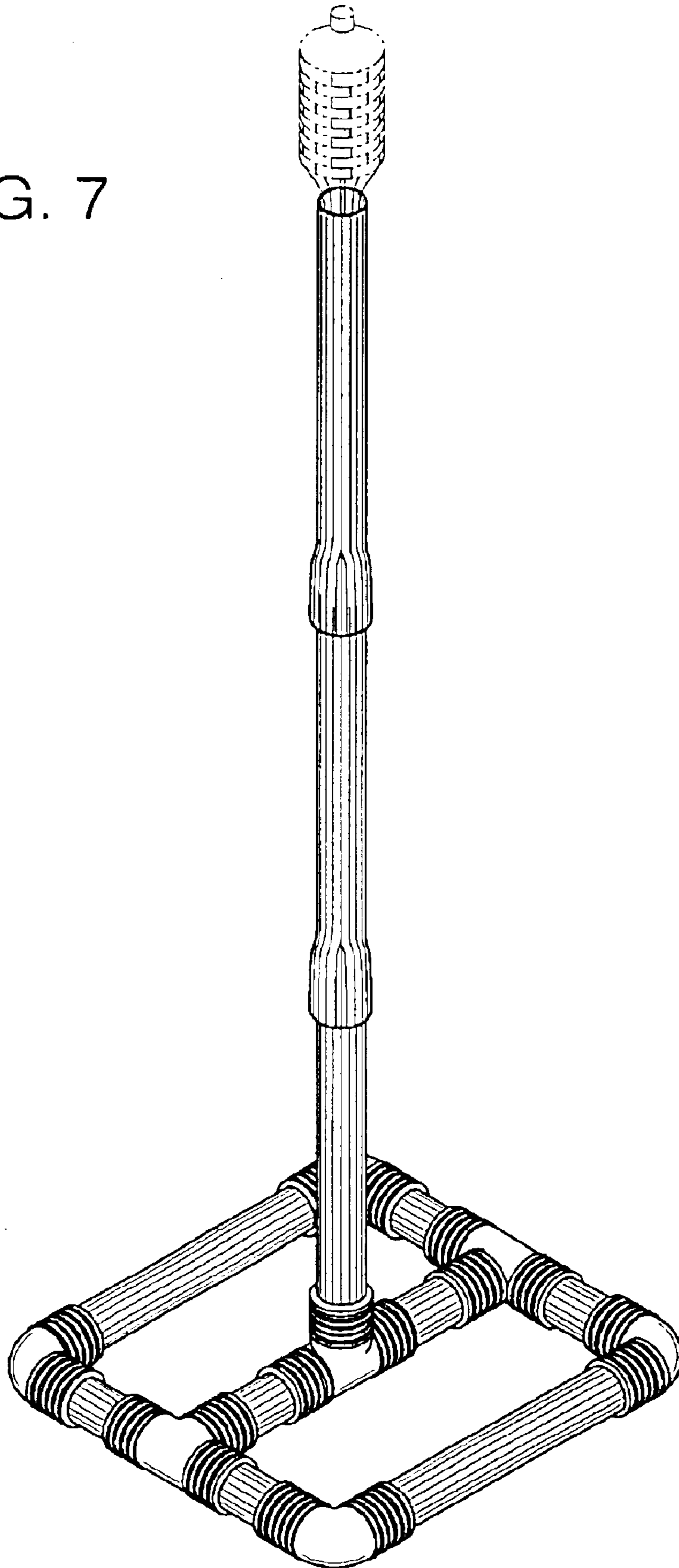


FIG. 8

