



US00D493041S1

(12) **United States Design Patent** (10) **Patent No.:** **US D493,041 S**
Gower (45) **Date of Patent:** **** Jul. 20, 2004**

(54) **FURNITURE UNIT**

(74) *Attorney, Agent, or Firm—Design IP*

(76) **Inventor:** **Andrew Gower**, 2430 Fifth St., Unit-F,
Berkeley, CA (US) 94710

(57) **CLAIM**

The ornamental design for a furniture unit, as shown and described.

(**) **Term:** **14 Years**

(21) **Appl. No.:** **29/183,350**

DESCRIPTION

(22) **Filed:** **Jun. 11, 2003**

(51) **LOC (7) Cl.** **06-03**

FIG. 1 is an isometric view of an ornamental design of a first embodiment of a furniture unit showing my new design.

(52) **U.S. Cl.** **D6/421**

FIG. 2 is a front orthographic view thereof.

(58) **Field of Search** D6/421, 422, 423,
D6/482, 511, 485, 332; 108/50.01, 50.02,
60; 312/194–196, 238, 239; 52/36.1, 239

FIG. 3 is a right side orthographic view thereof.

FIG. 4 is a left side orthographic view thereof.

(56) **References Cited**

FIG. 5 is a top orthographic view thereof.

U.S. PATENT DOCUMENTS

FIG. 6 is an isometric view of a second embodiment of a furniture unit showing my new design; and,

D359,632 S	*	6/1995	Bubb	D6/421
D359,633 S	*	6/1995	Bubb	D6/421
D382,134 S	*	8/1997	Moser et al.	D6/421
D412,796 S	*	8/1999	Brown et al.	D6/421
D480,232 S	*	10/2003	Bosman	D6/421

FIG. 7 is an isometric view of a third embodiment of a furniture unit showing my new design.

OTHER PUBLICATIONS

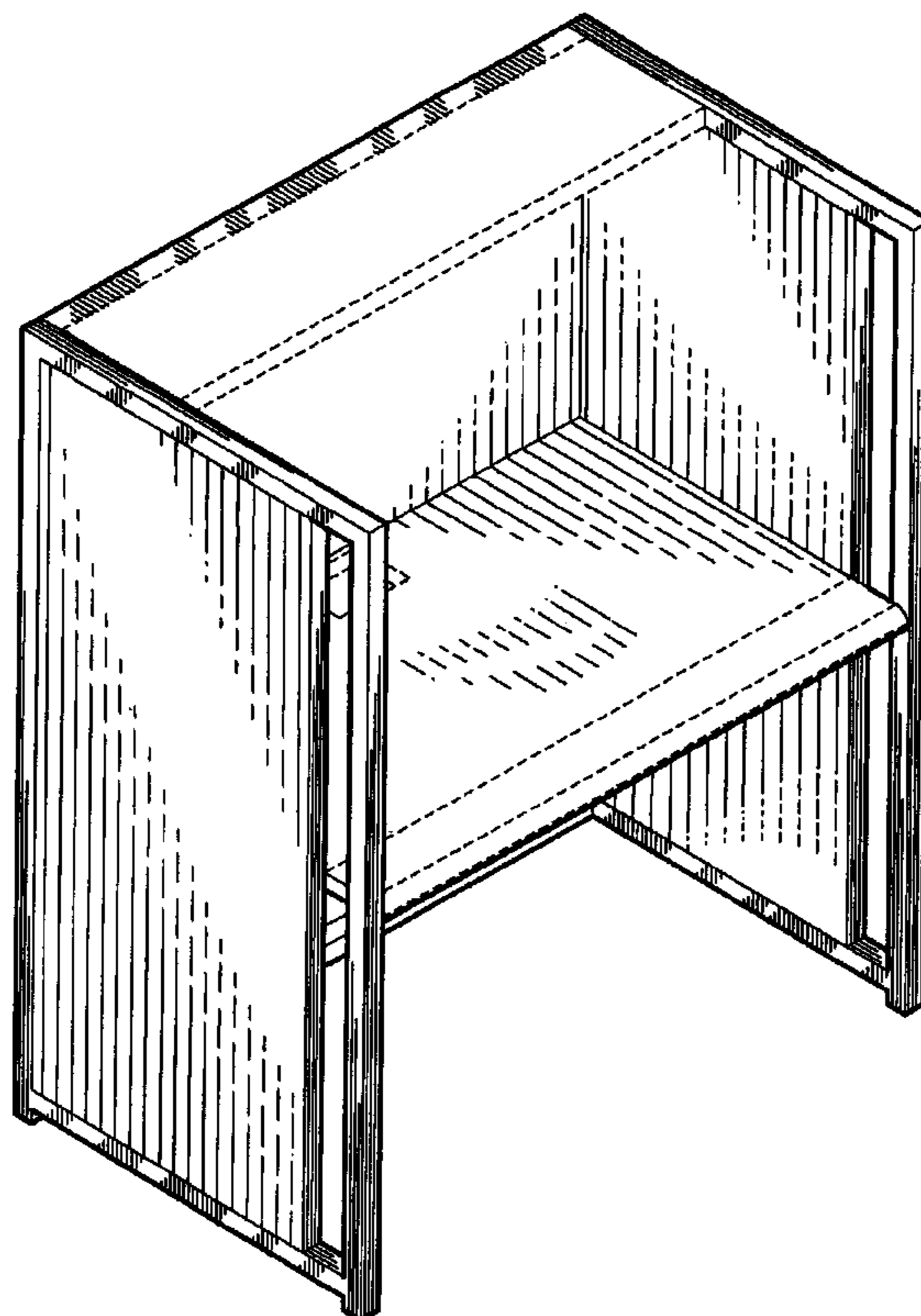
The broken lines shown in FIGS. 1–2 and 5–7 are included for the purpose of illustrating environmental elements only and form no part of the claimed design. The bottom and rear views are omitted and form no part of the claimed design.

Gaylord, Feb. 1992, p. 13, carrel at top left.*

* cited by examiner

Primary Examiner—Janice Seeger

1 Claim, 7 Drawing Sheets



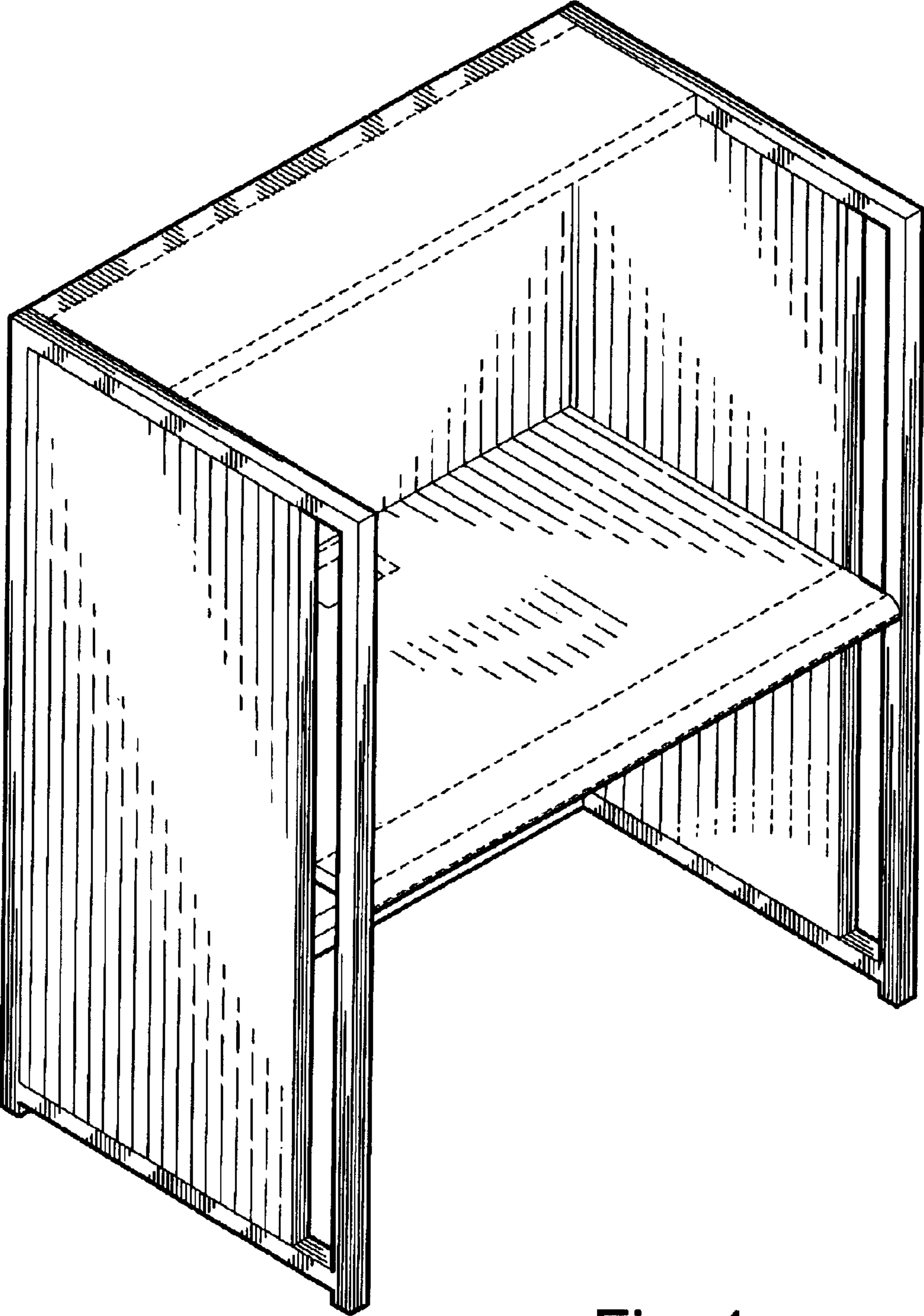


Fig. 1

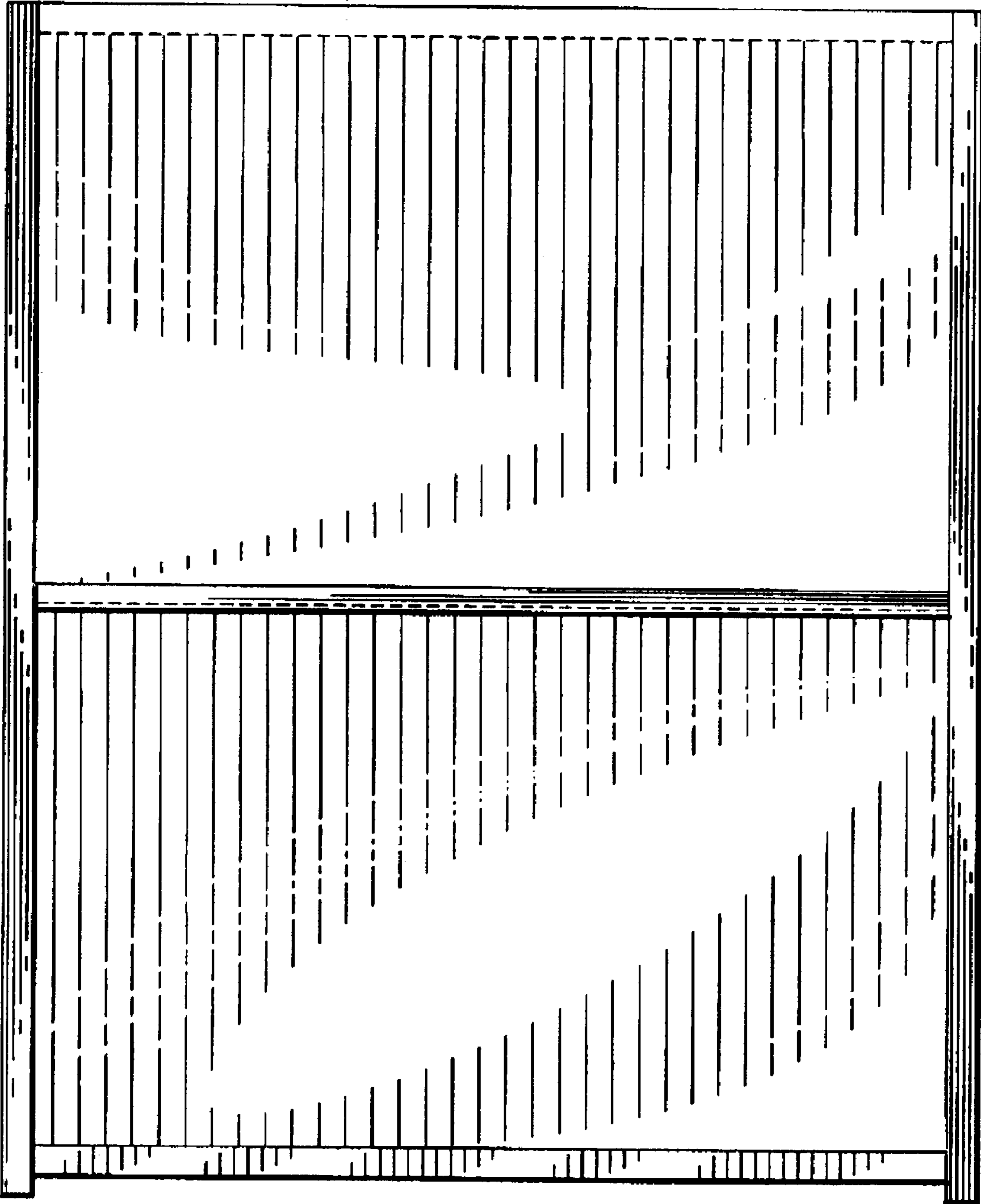


Fig. 2

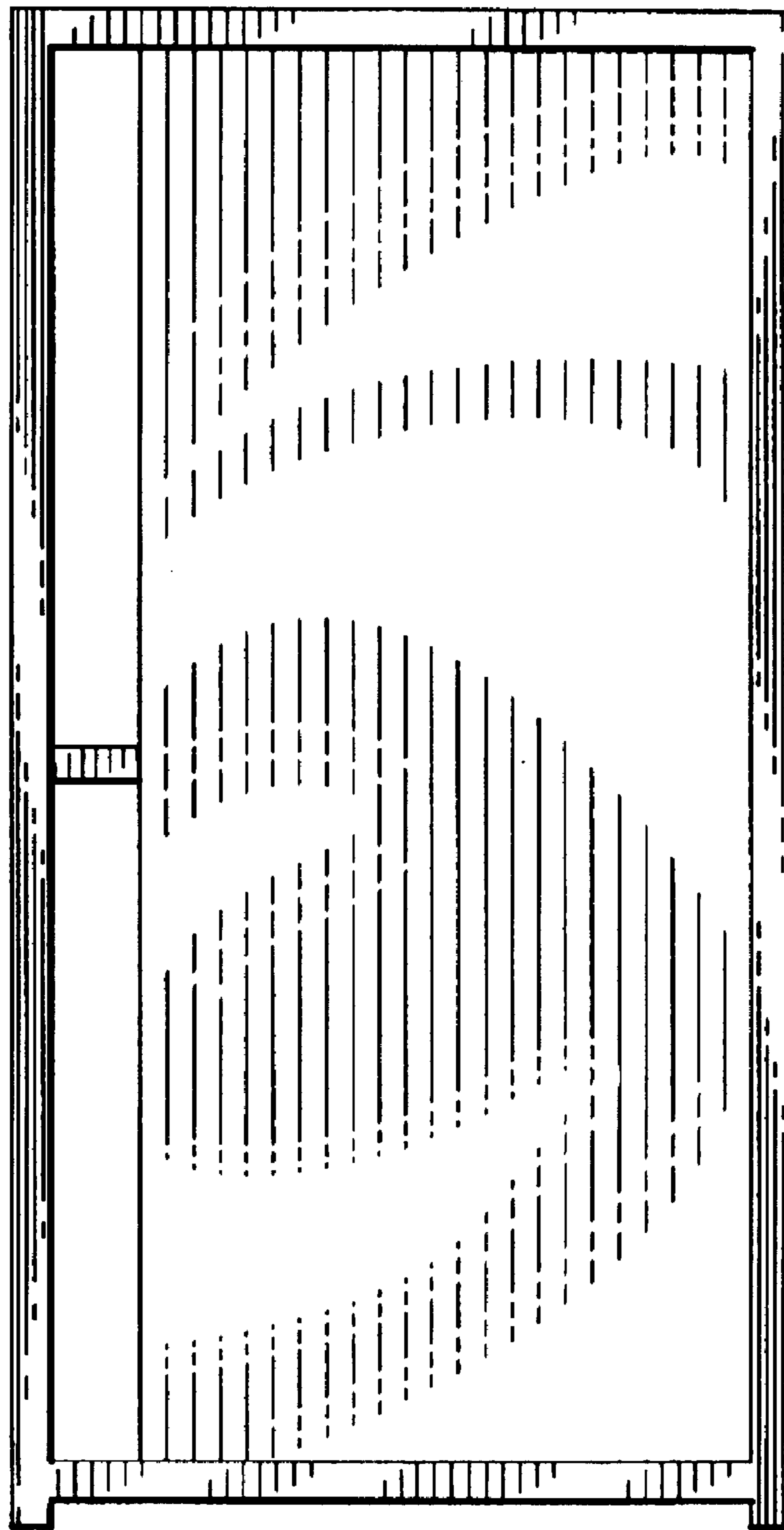


Fig. 3

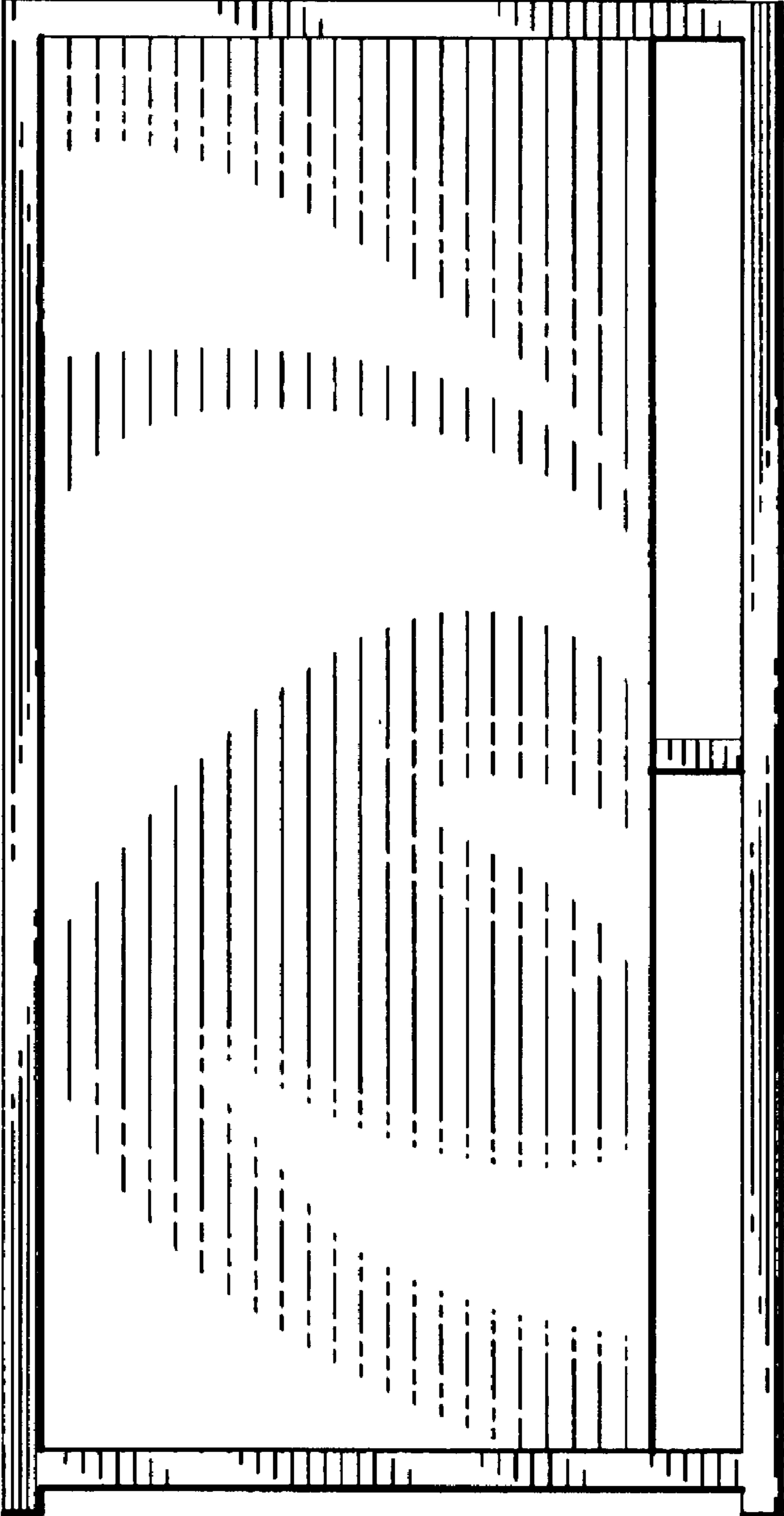


Fig. 4

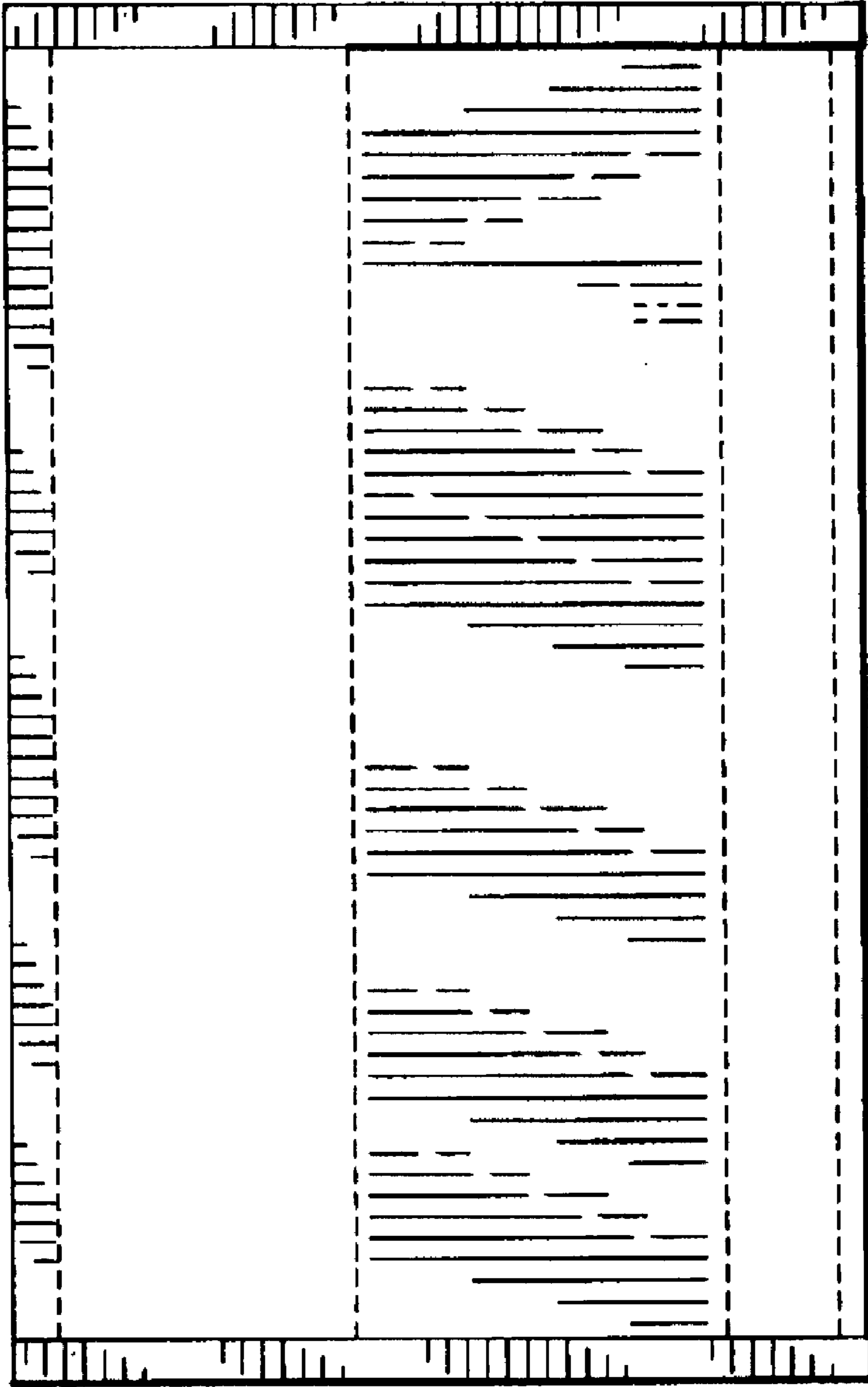


Fig. 5

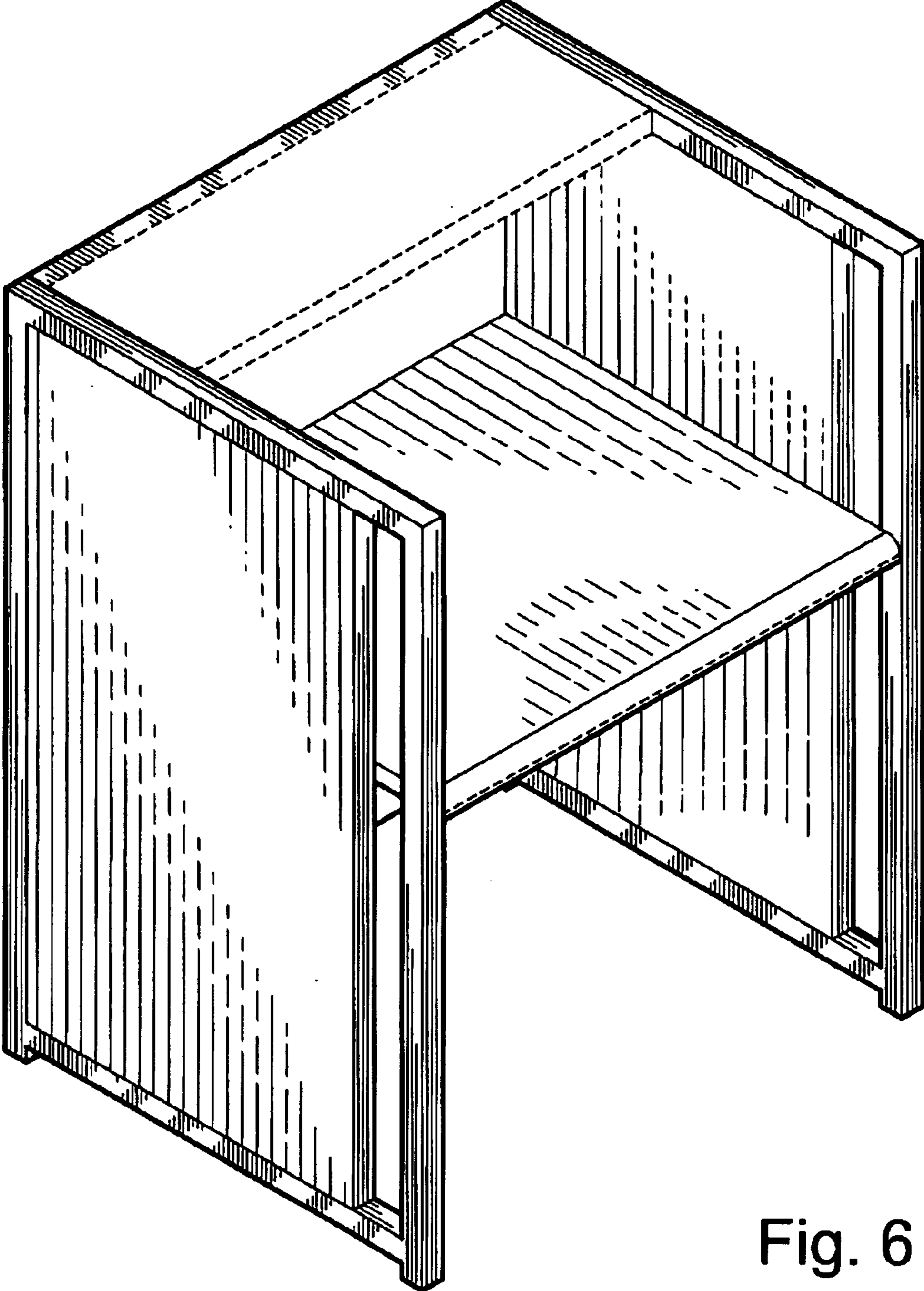


Fig. 6

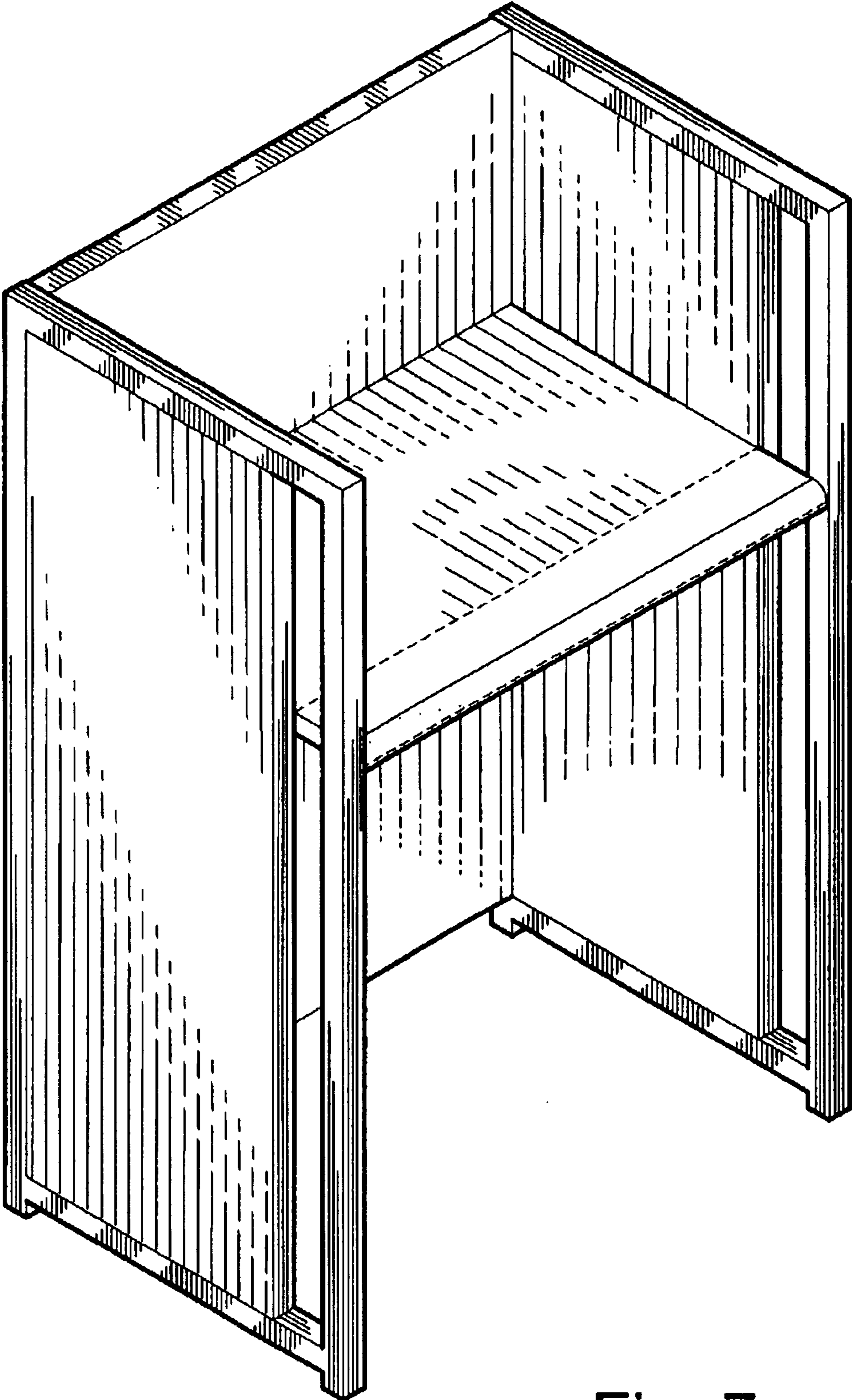


Fig. 7