

US00D493037S1

(12) **United States Design Patent**
Gandi

(10) **Patent No.: US D493,037 S**

(45) **Date of Patent: ** Jul. 20, 2004**

(54) **GARDEN ARMCHAIR**

(76) Inventor: **Fabrizio Gandi**, LocalitàComero, 46,
25070 Casto (IT)

(**) Term: **14 Years**

(21) Appl. No.: **29/173,158**

(22) Filed: **Dec. 23, 2002**

(30) **Foreign Application Priority Data**

Jun. 25, 2002 (WO) DM/061 597

(51) **LOC (7) Cl. 06-01**

(52) **U.S. Cl. D6/379; D6/380; D6/370;
D6/369**

(58) **Field of Search D6/334, 369, 370,
D6/374, 375, 376, 379, 380, 500, 501,
502; 297/445.1, 446.1, 448.1, 452.63, 452.64**

(56) **References Cited**

U.S. PATENT DOCUMENTS

- D280,474 S * 9/1985 Vanderminden D6/380
- D336,171 S * 6/1993 Laird D6/379
- D373,478 S * 9/1996 Grosfillex D6/369
- D373,481 S * 9/1996 Grosfillex D6/370
- D378,172 S * 2/1997 Rehmert D6/376
- D399,352 S * 10/1998 Frinier D6/369
- D431,922 S * 10/2000 Grosfillex D6/370
- D439,070 S * 3/2001 Turner et al. D6/380
- D443,992 S * 6/2001 Vertongen D6/370

OTHER PUBLICATIONS

Veneman catalog(a Tropitone company), P. 18, chair #BA
144 at top right, copy on file in Outdoor Furn. Box/desk
copy, pices dated Sep. 1, 1991.*

* cited by examiner

Primary Examiner—Gary D. Watson

(74) *Attorney, Agent, or Firm*—Ladas & Parry

(57) **CLAIM**

The ornamental design for a garden armchair, as shown and
described.

DESCRIPTION

FIG. 1 is a front elevational view of a first embodiment of
my series relating to a garden armchair;

FIG. 2 is a rear elevational view of FIG. 1;

FIG. 3 is a top plan view of FIG. 1;

FIG. 4 is a bottom plan view of FIG. 1;

FIG. 5 is a side elevational view of FIG. 1, the elevational
view of the other side being a mirror image and, therefore,
not shown;

FIG. 6 is a front elevational view of a second embodiment
of my series relating to a garden armchair;

FIG. 7 is a rear elevational view of FIG. 6;

FIG. 8 is a top plan view of FIG. 6;

FIG. 9 is a bottom plan view of FIG. 6;

FIG. 10 is a side elevational view of FIG. 6, the elevational
view of the other side being a mirror image and, therefore,
not shown;

FIG. 11 is a front elevational view of a third embodiment of
my series relating to a garden armchair;

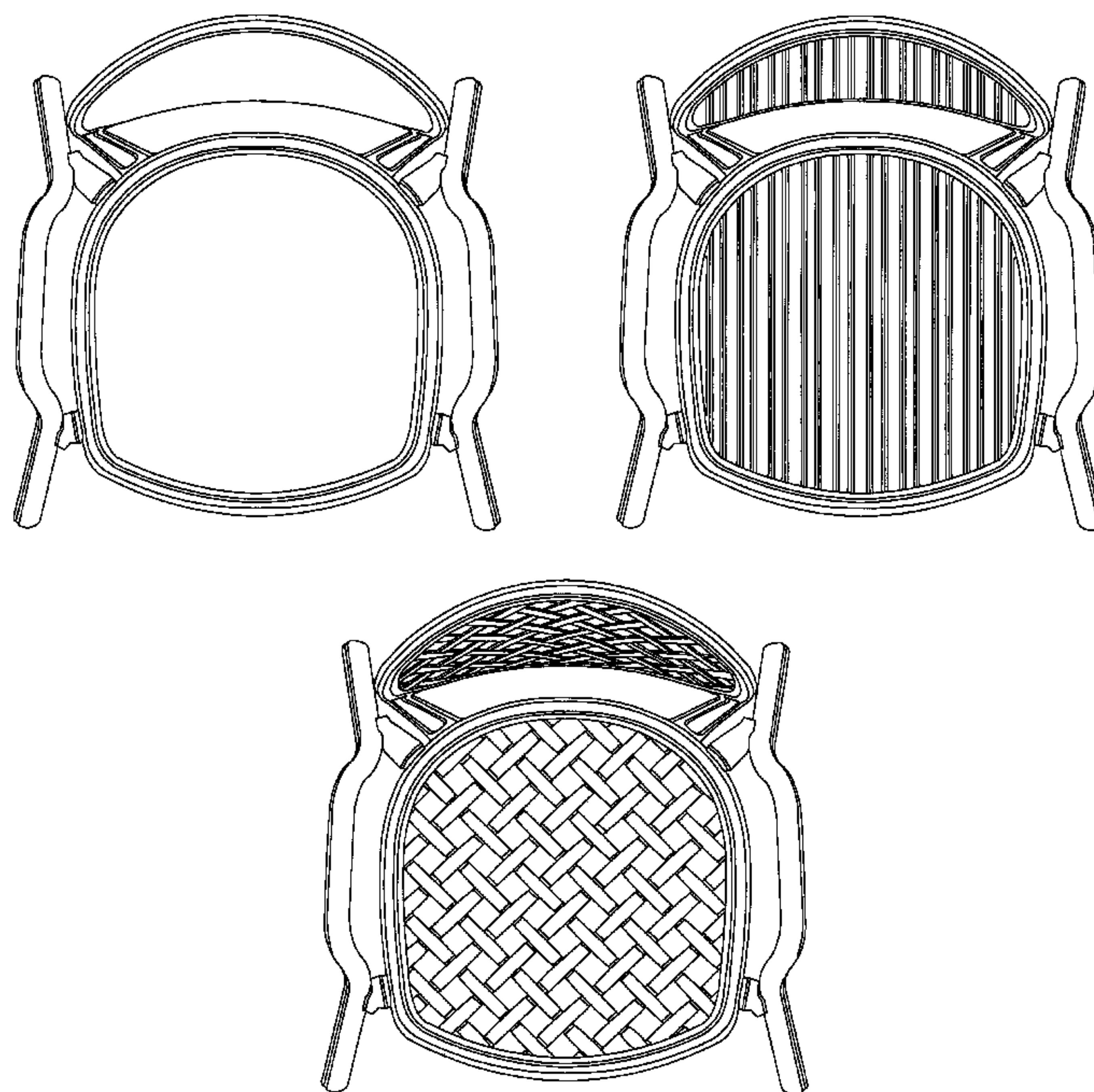
FIG. 12 is a rear elevational view of FIG. 11;

FIG. 13 is a top plan view of FIG. 11;

FIG. 14 is a bottom plan view of FIG. 11; and,

FIG. 15 is a side elevational view of FIG. 11, the elevational
view of the other side being a mirror image and, therefore,
not shown.

1 Claim, 15 Drawing Sheets



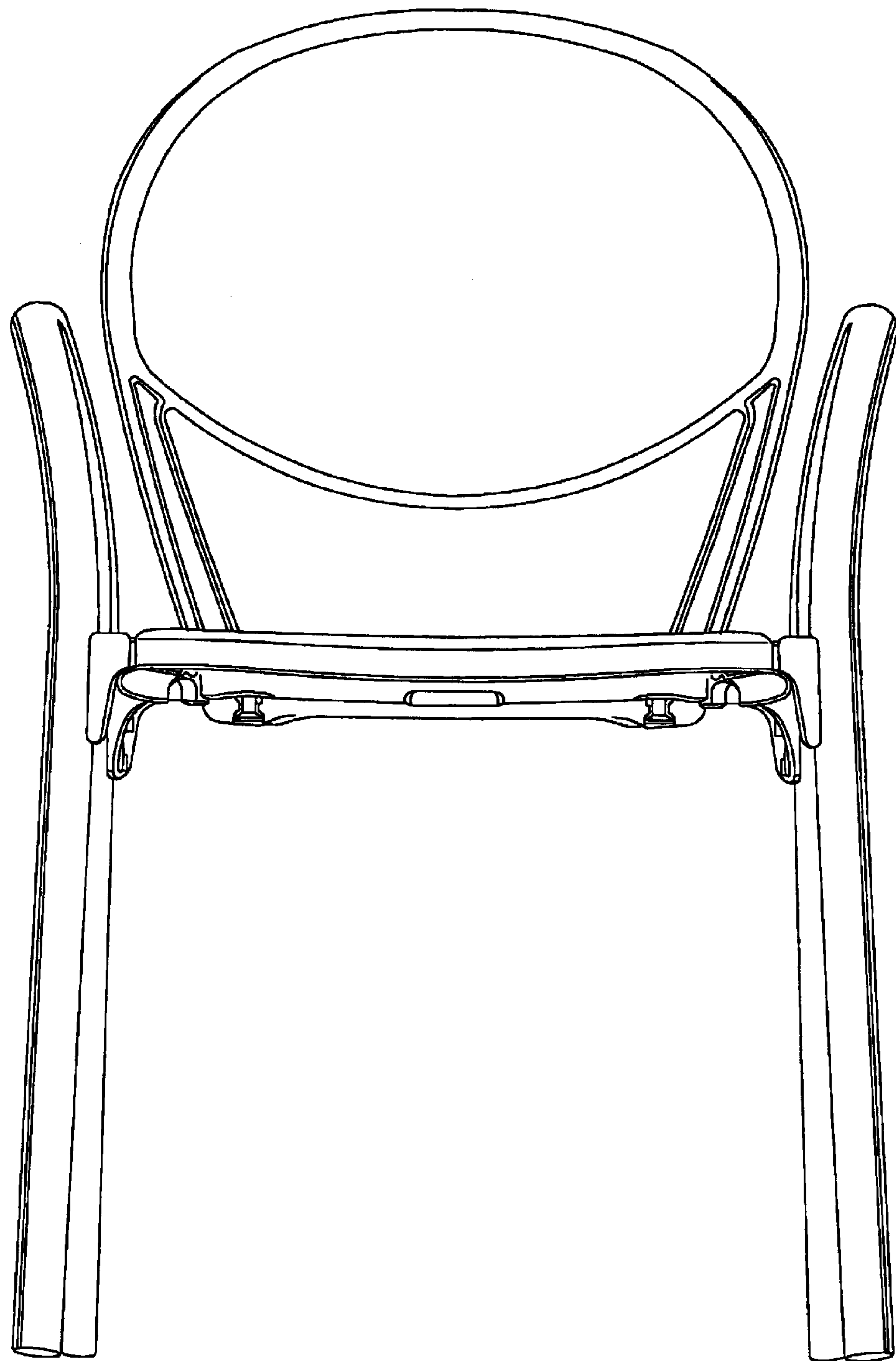


FIG. 1

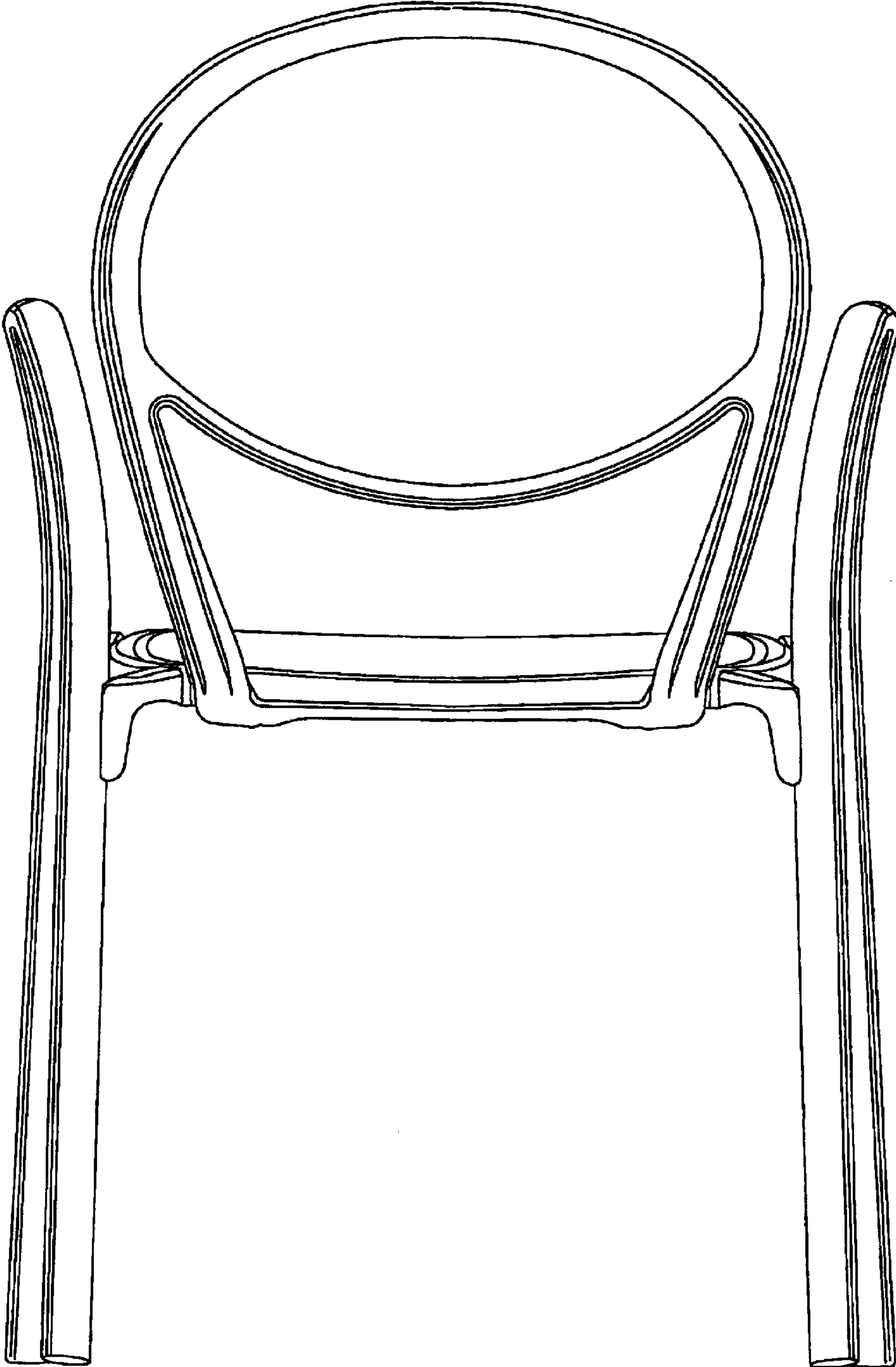


FIG. 2

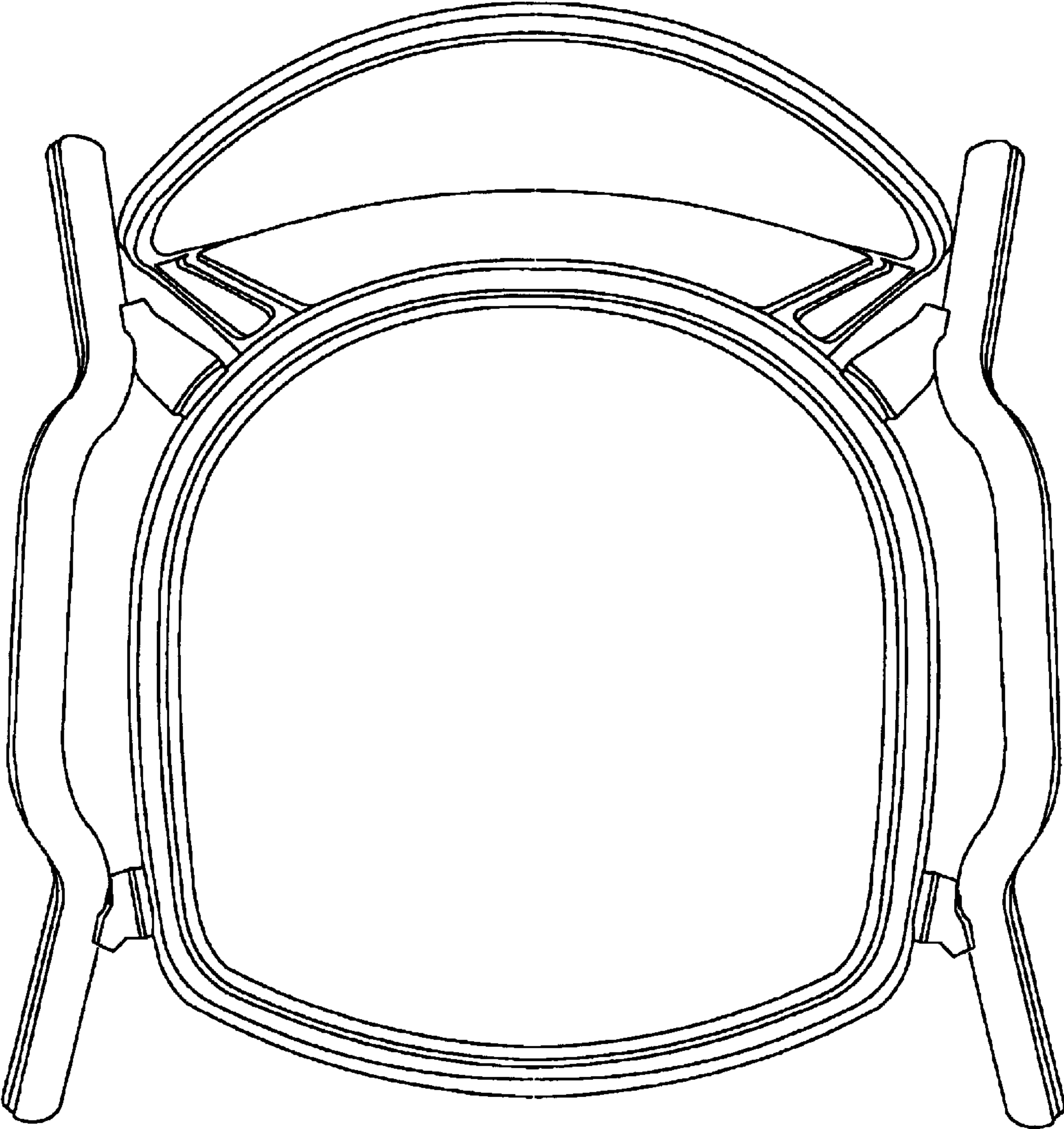


FIG. 3

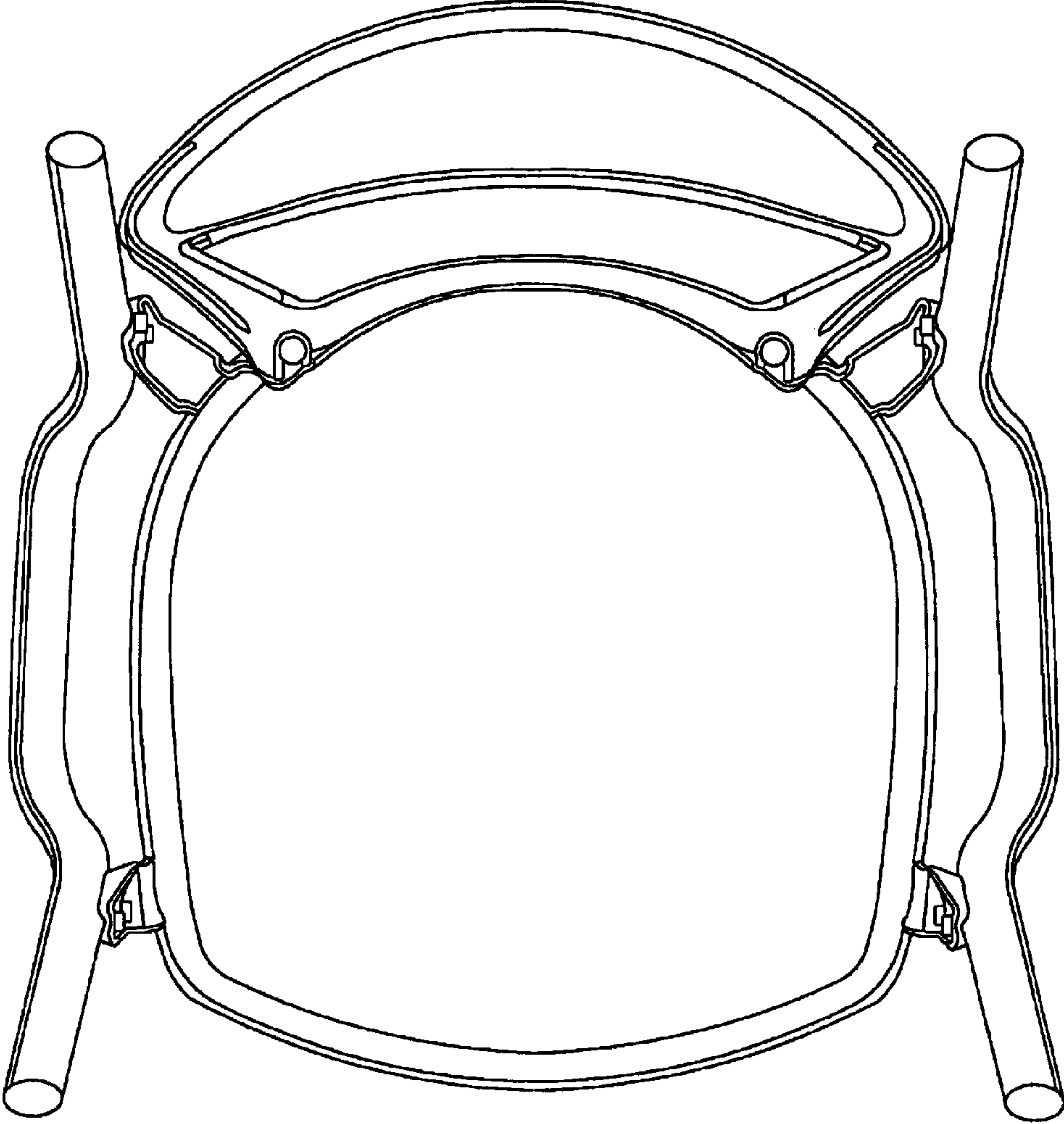


FIG. 4

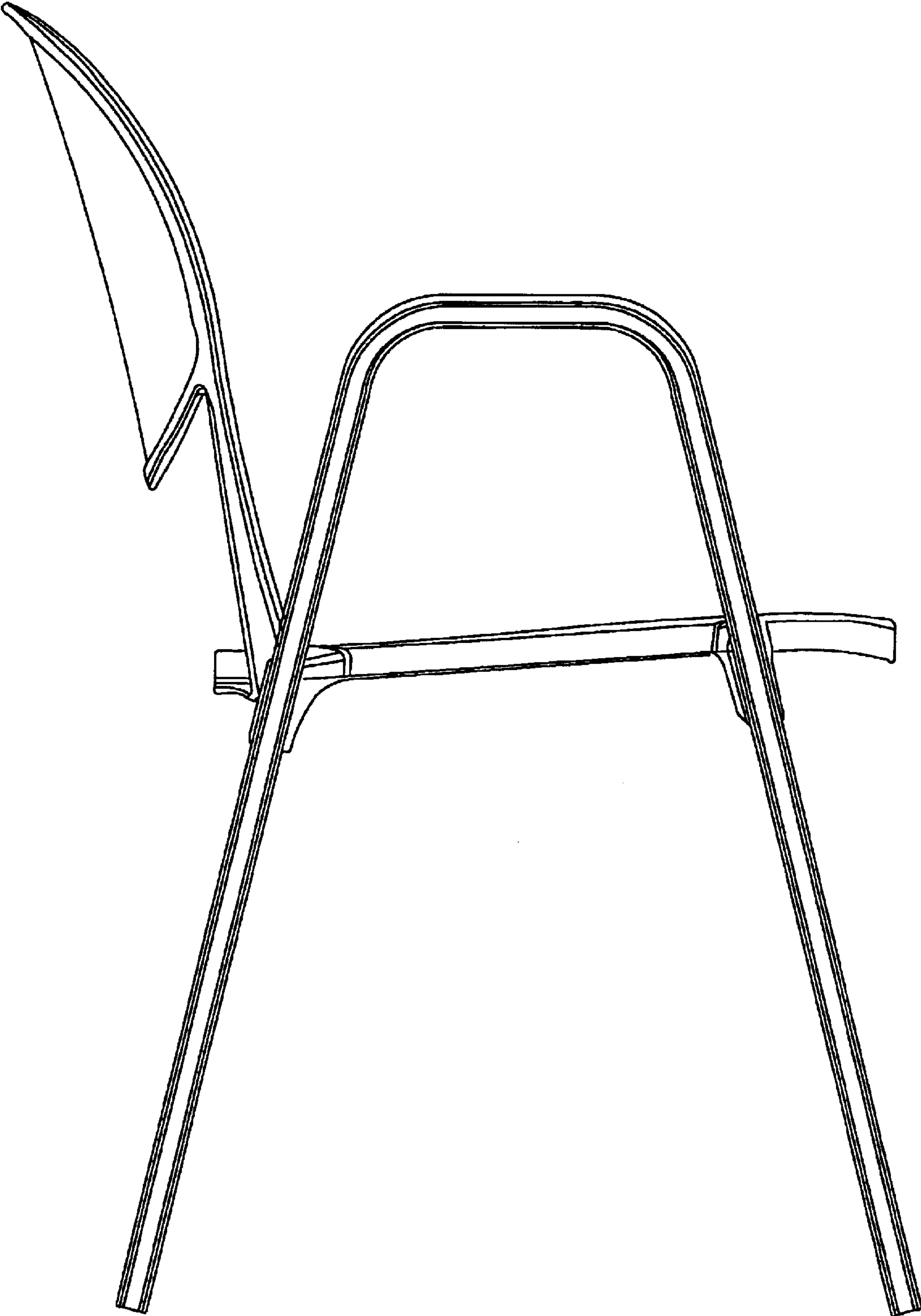


FIG. 5

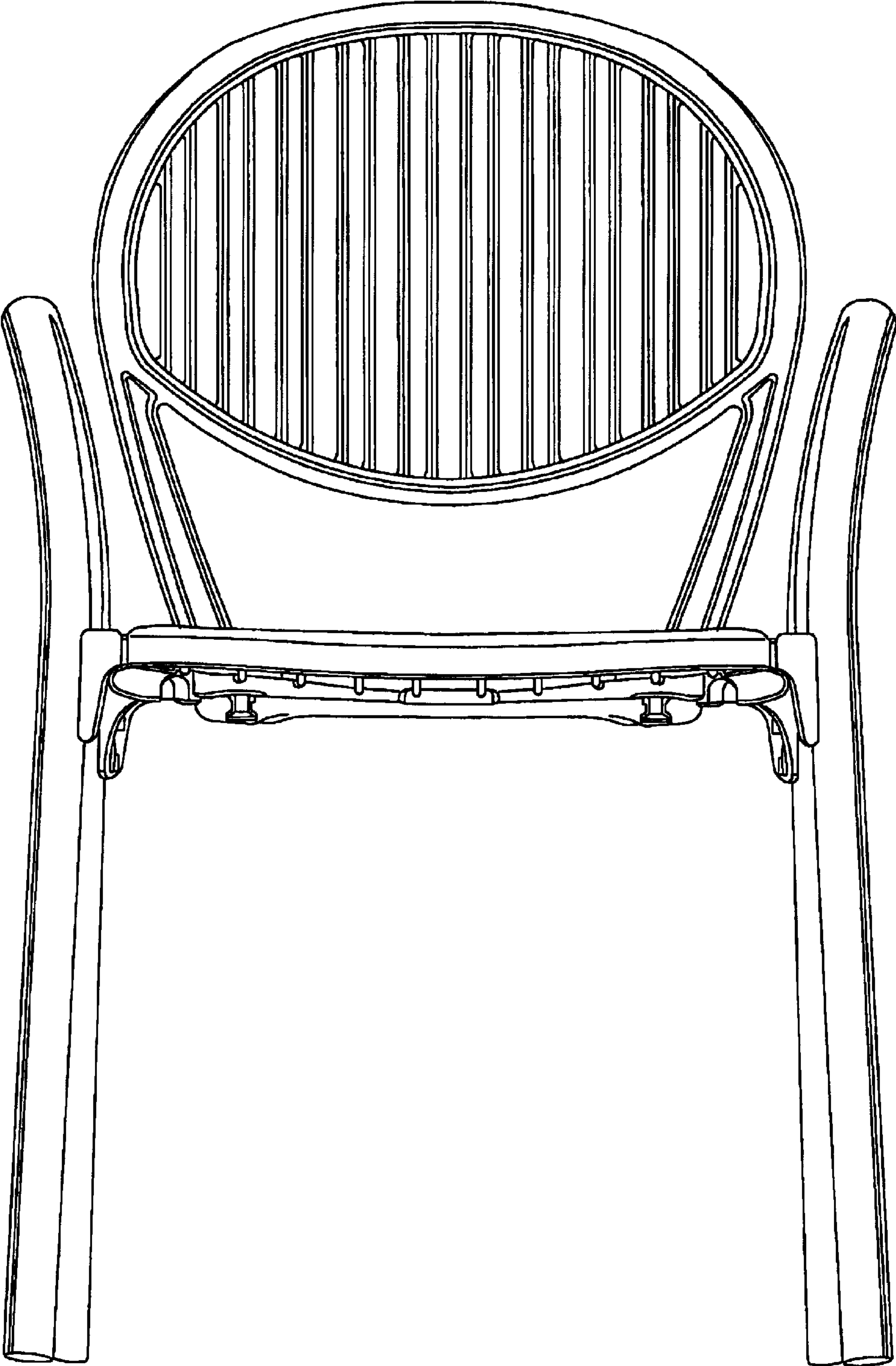


FIG. 6

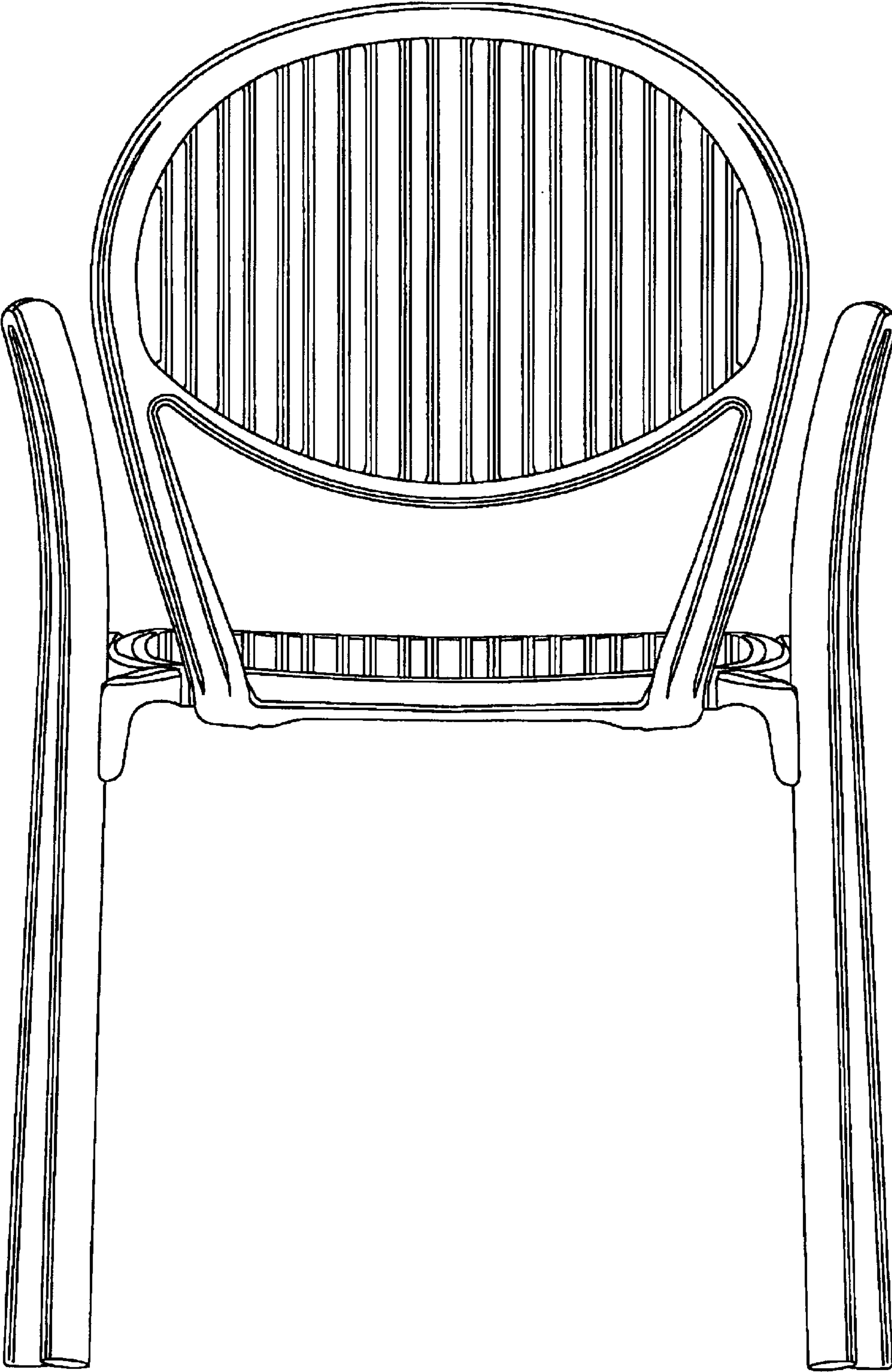


FIG. 7

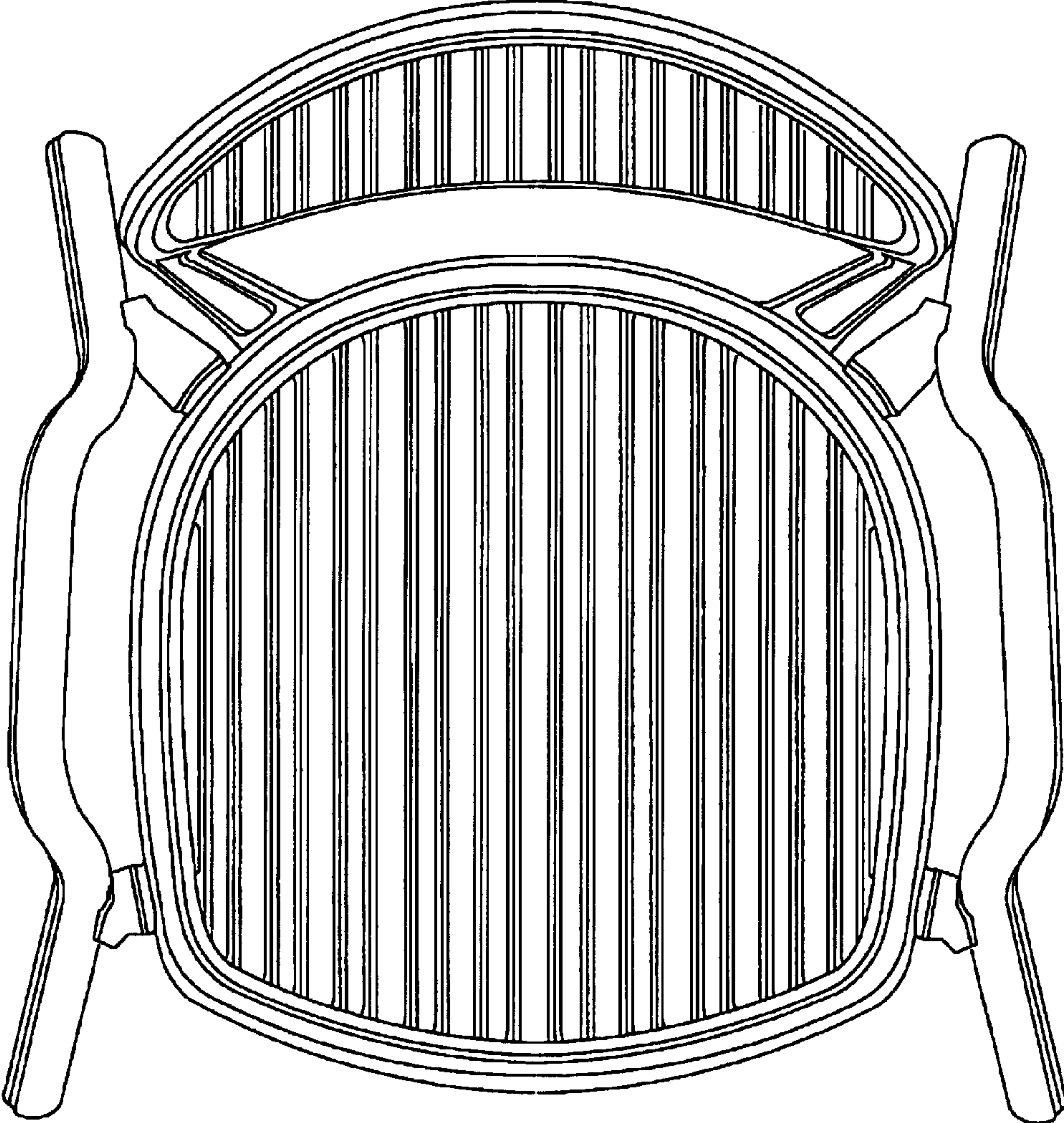


FIG. 8

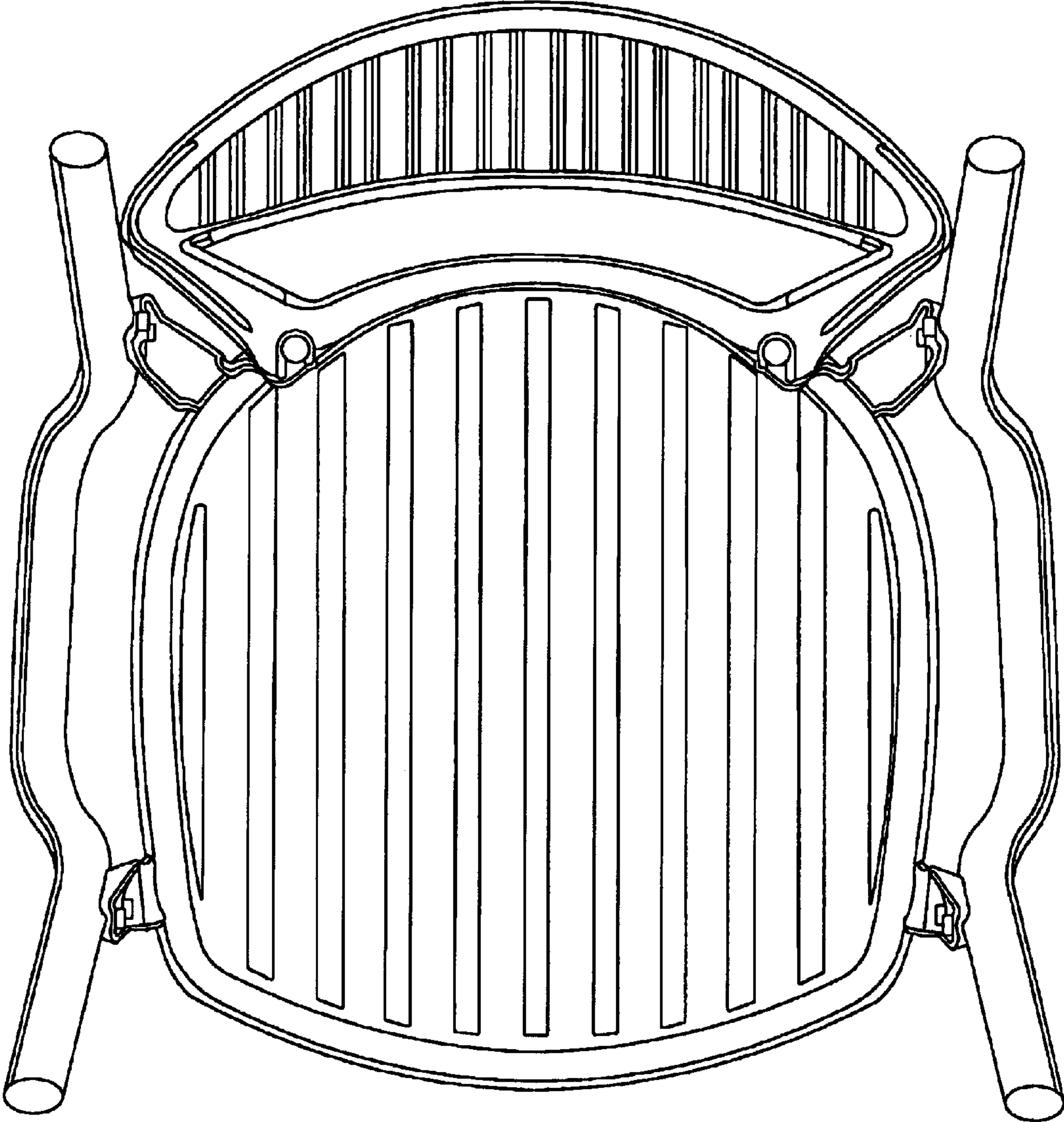


FIG. 9



FIG. 10

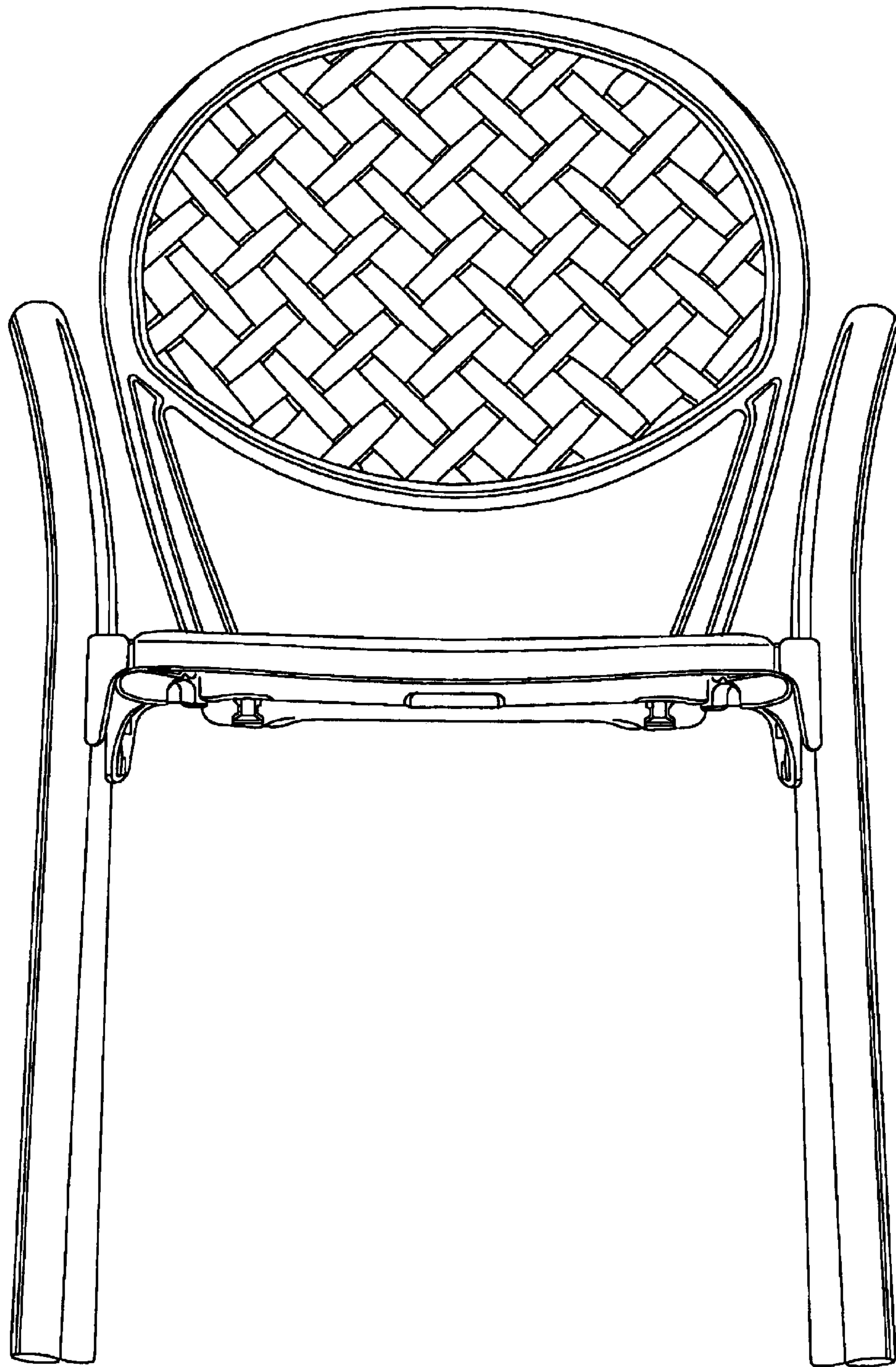


FIG. 11

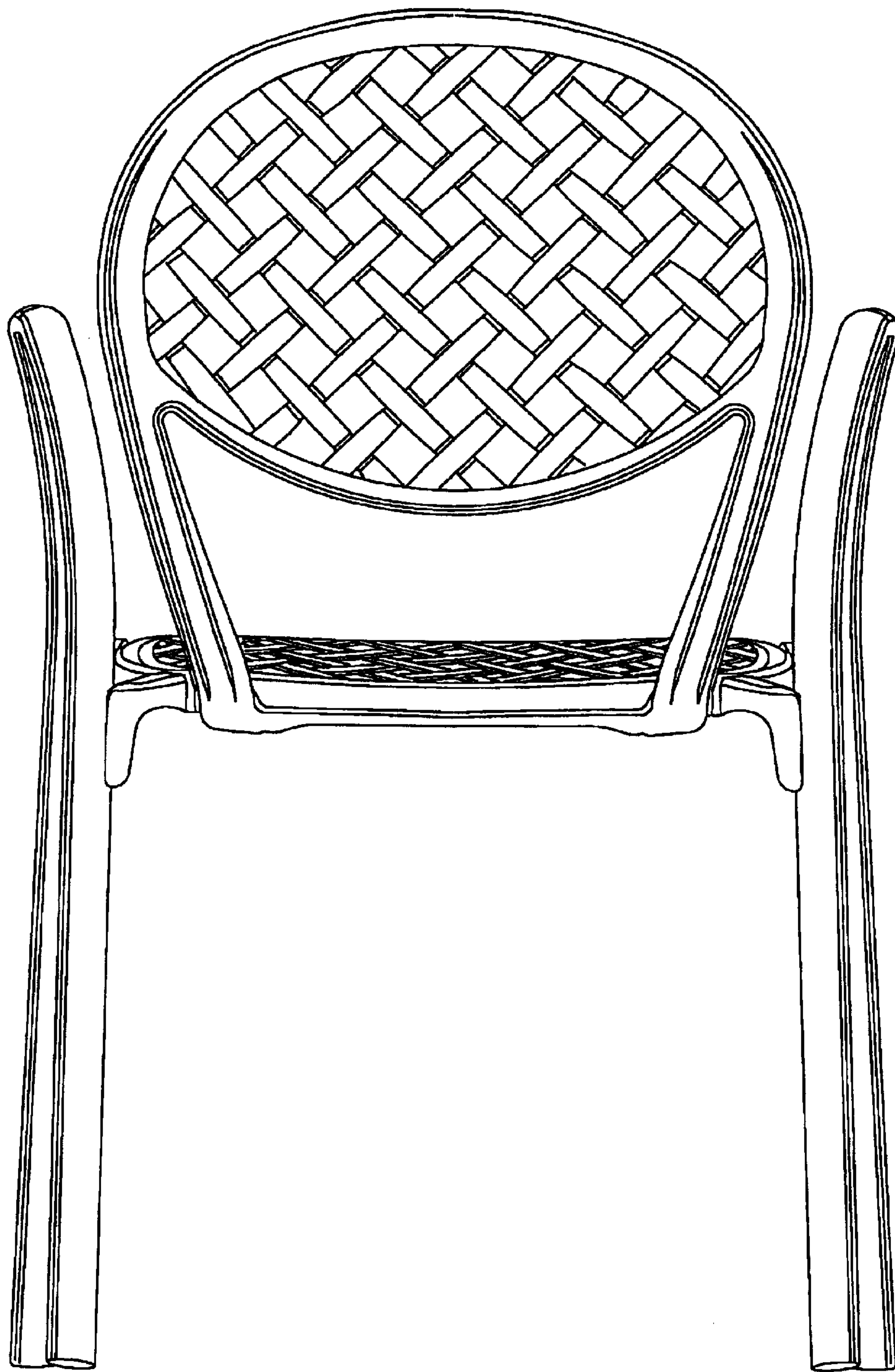


FIG. 12

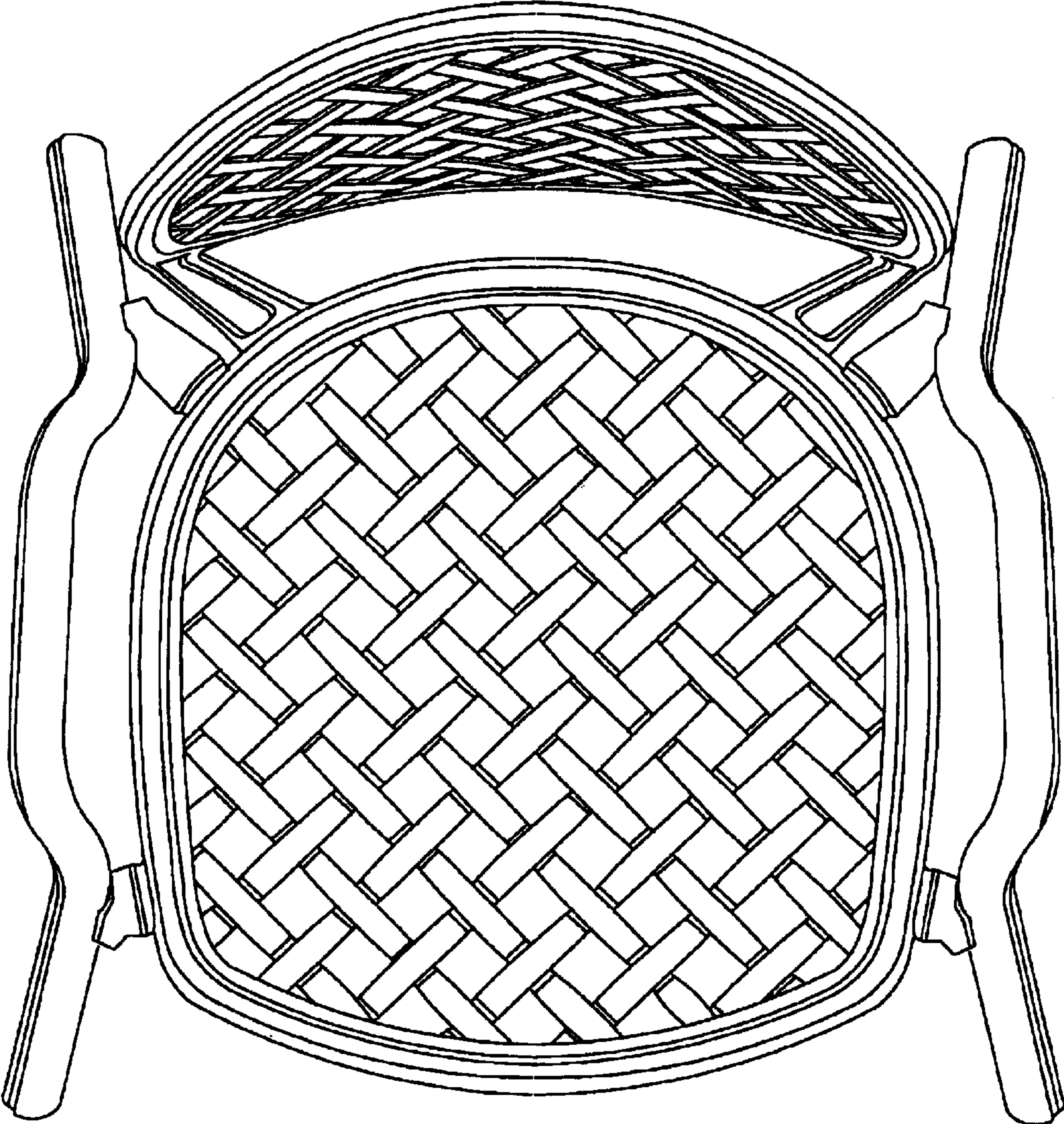


FIG. 13

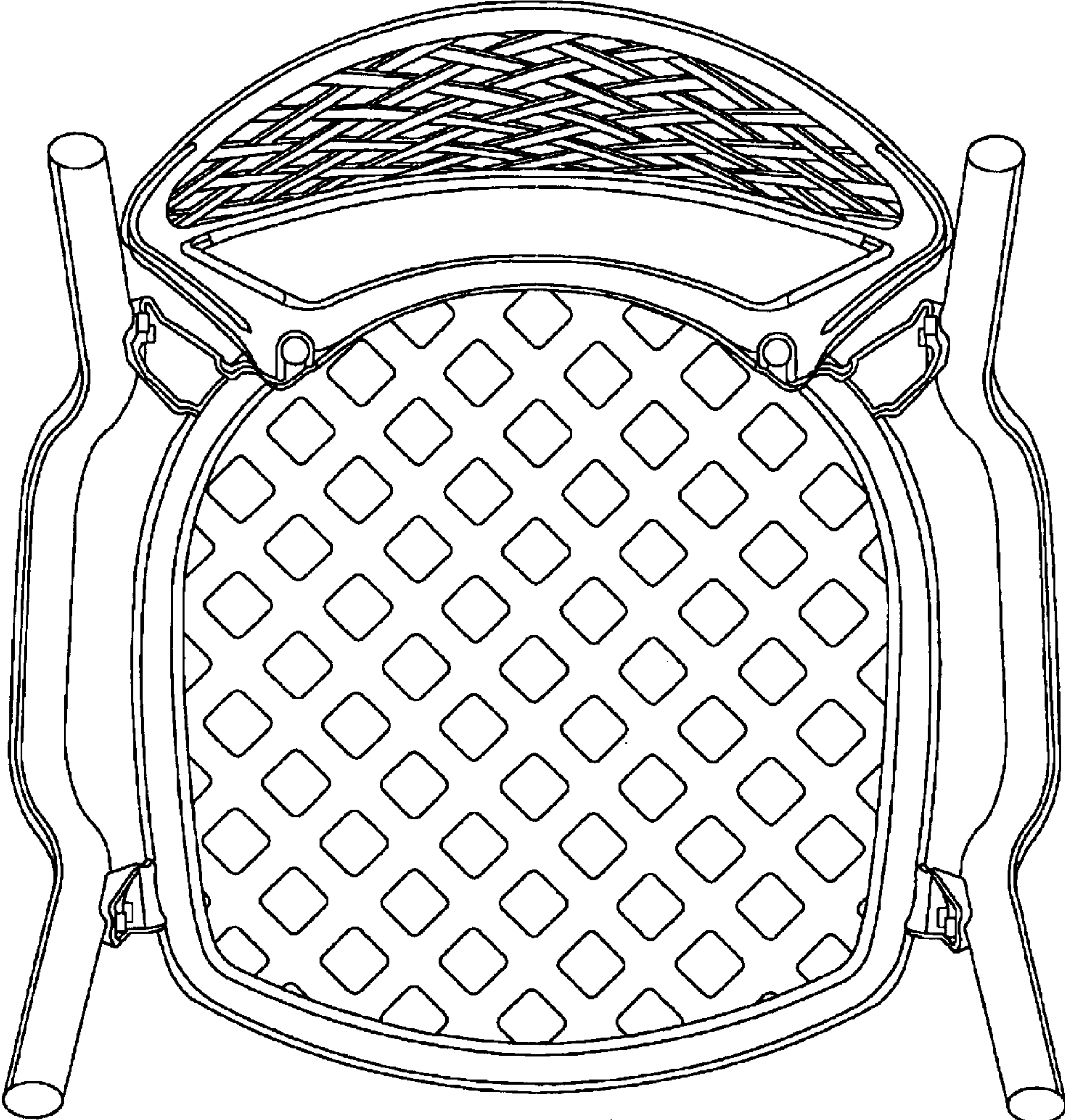


FIG. 14

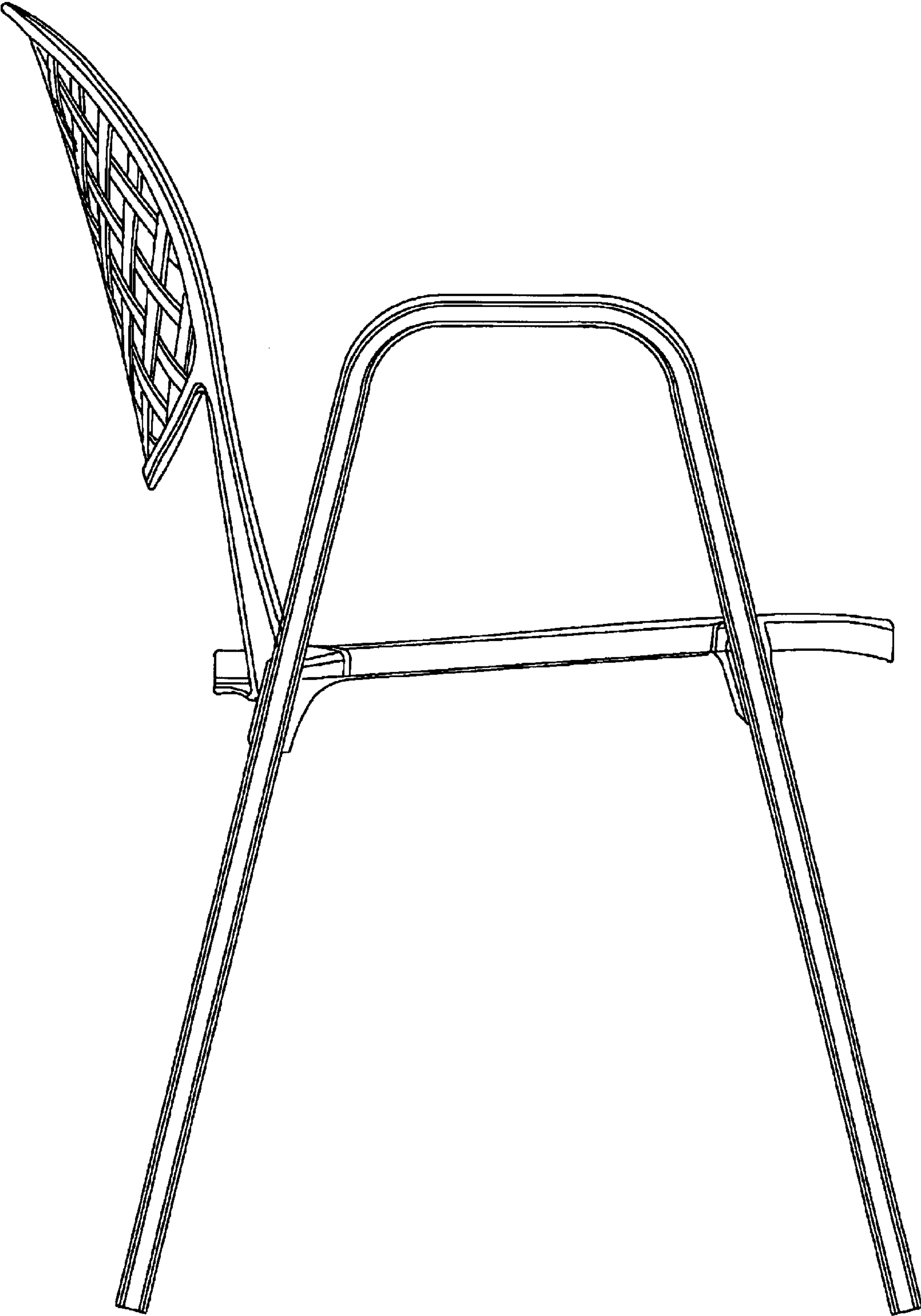


FIG. 15

UNITED STATES PATENT AND TRADEMARK OFFICE
CERTIFICATE OF CORRECTION

PATENT NO. : Des. 493,037 S
DATED : July 20, 2004
INVENTOR(S) : Fabrizio Gandi

Page 1 of 1

It is certified that error appears in the above-identified patent and that said Letters Patent is hereby corrected as shown below:

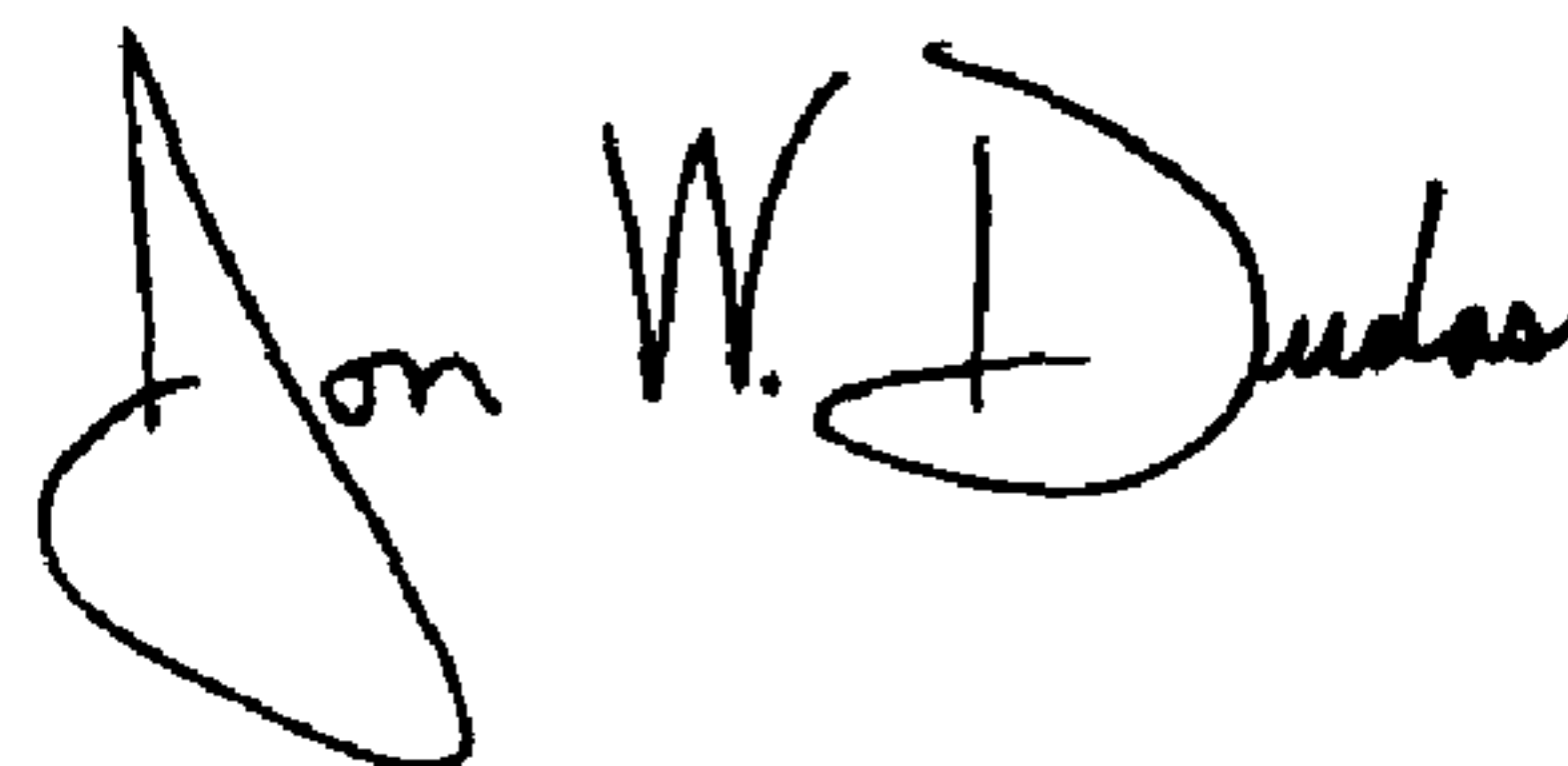
Title page.

Item [73] Assignee, please add:

-- [73] Assignee: **FAST S.p.A.**, Vestone (IT) --.

Signed and Sealed this

Seventh Day of December, 2004

A handwritten signature in black ink that reads "Jon W. Dudas". The signature is written in a cursive style with a large, looped initial "J".

JON W. DUDAS

Director of the United States Patent and Trademark Office