



US00D493034S1

(12) **United States Design Patent**
Bar-Erez

(10) **Patent No.:** **US D493,034 S**
(45) **Date of Patent:** **** Jul. 20, 2004**

(54) **TOOLBOX WITH EXTERNAL COMPARTMENT**

(75) Inventor: **Sharon Bar-Erez**, Tel Aviv (IL)

(73) Assignee: **Zag Industries Ltd.**, Rosh Ha Ayin (IL)

(**) Term: **14 Years**

(21) Appl. No.: **29/162,310**

(22) Filed: **Jun. 14, 2002**

(51) **LOC (7) Cl.** **03-01**

(52) **U.S. Cl.** **D3/295; D3/905; D3/291; D3/281**

(58) **Field of Search** **D3/273, 276, 281, D3/291, 294, 905, 295, 296; 206/349, 372, 373; 220/324, 326; 190/114**

(56) **References Cited**

U.S. PATENT DOCUMENTS

| | | | | | |
|------------|---|---------|------------------|-------|--------|
| D378,874 S | * | 4/1997 | Dickinson et al. | | D3/281 |
| D389,309 S | * | 1/1998 | Shaw | | D3/294 |
| D404,916 S | * | 2/1999 | Dickinson et al. | | D3/281 |
| D416,682 S | * | 11/1999 | Tanji | | D3/294 |
| D417,956 S | * | 12/1999 | Story et al. | | D3/295 |
| D418,296 S | * | 1/2000 | Kobayashi | | D3/291 |
| D424,297 S | * | 5/2000 | Story et al. | | D3/281 |
| D434,225 S | * | 11/2000 | Story et al. | | D3/281 |
| D453,624 S | * | 2/2002 | Itzkovitch | | D3/276 |

* cited by examiner

Primary Examiner—Philip S. Hyder

(74) *Attorney, Agent, or Firm*—Pillsbury Winthrop LLP

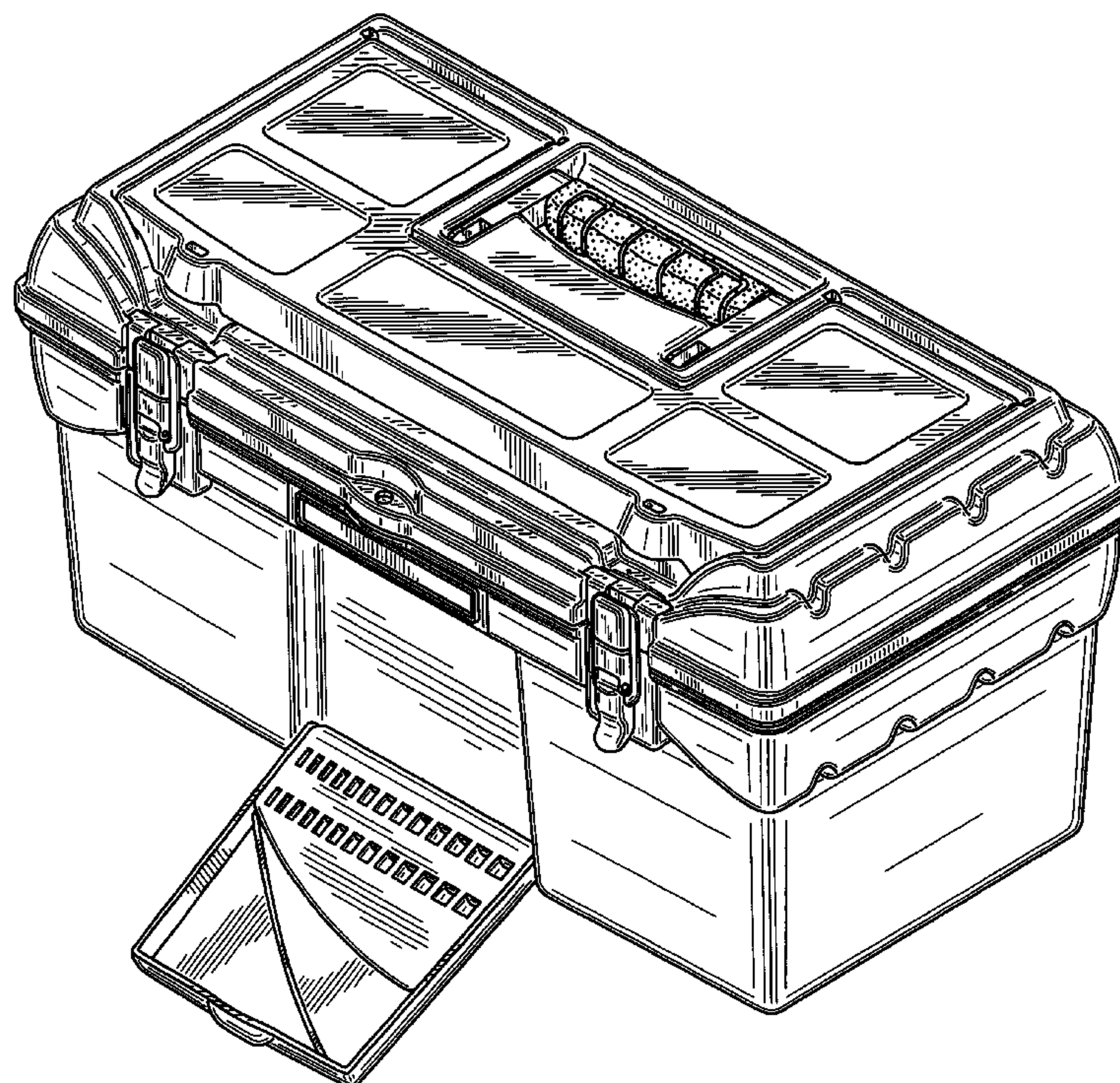
(57) **CLAIM**

The ornamental design for a toolbox with external compartment, as shown and described.

DESCRIPTION

FIG. 1 is a front elevational view of a toolbox with an external compartment according to the present invention; FIG. 2 is a rear elevational view thereof; FIG. 3 is a top plan view thereof; FIG. 4 is a bottom plan view thereof; FIG. 5 is a right side elevational view thereof, the left side view being a mirror image thereof; FIG. 6 is a perspective view thereof; FIG. 7 is a perspective view thereof showing the external compartment in an open position; FIG. 8 is a perspective view of the toolbox and of another external compartment mounted thereon; FIG. 9 is a perspective view similar to FIG. 8 showing the external compartment in an open position; FIG. 10 is a perspective view of the toolbox and of another external compartment mounted thereon; FIG. 11 is a perspective view similar to FIG. 10 showing the external compartment in an open position; FIG. 12 is a perspective view of the toolbox and of another external compartment mounted thereon; FIG. 13 is a perspective view similar to FIG. 12 showing the external compartment in an open position; and, FIG. 14 is a perspective view of the toolbox without an external compartment mounted thereon.

1 Claim, 14 Drawing Sheets



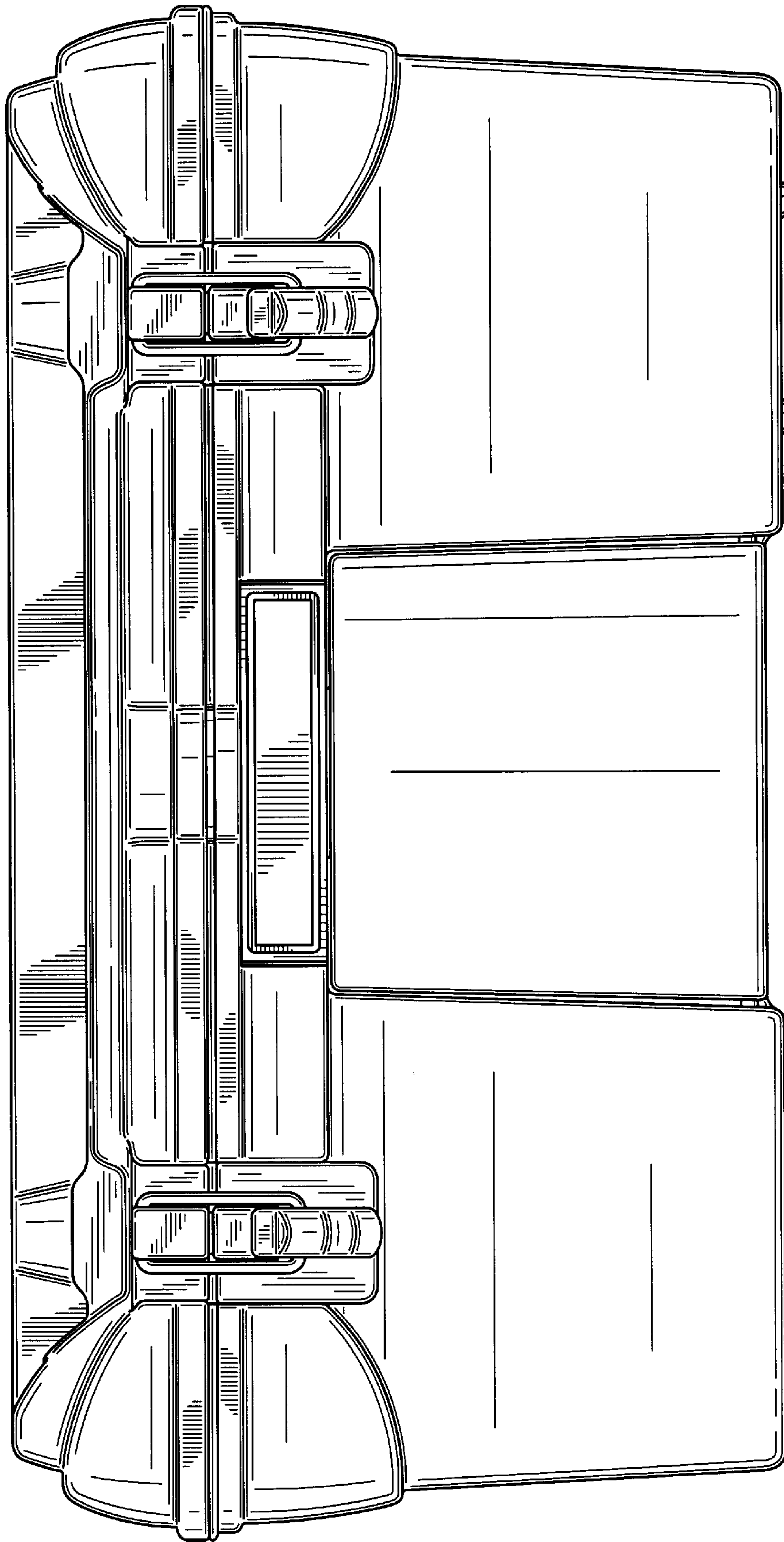


FIG. 1

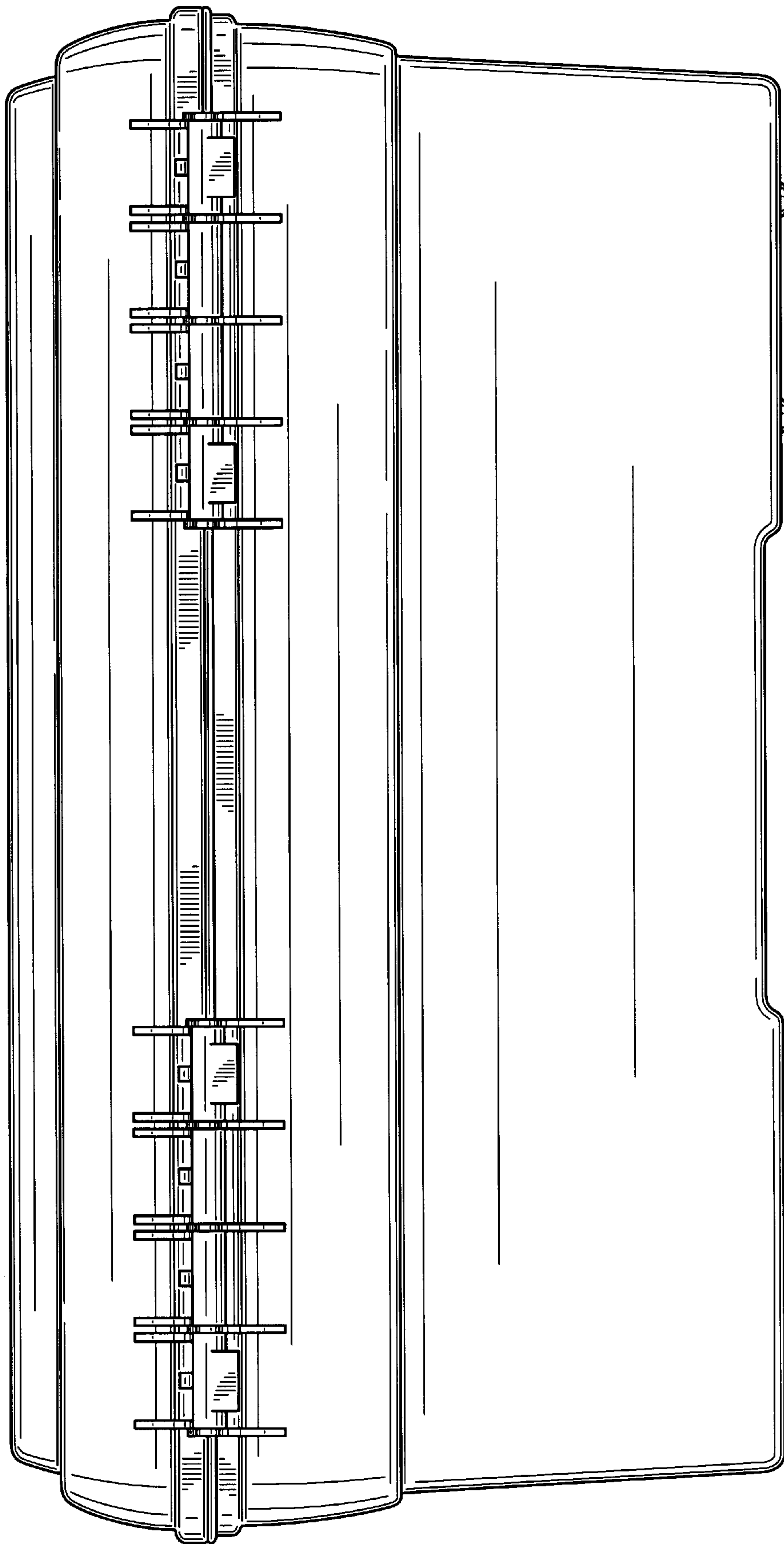


FIG. 2

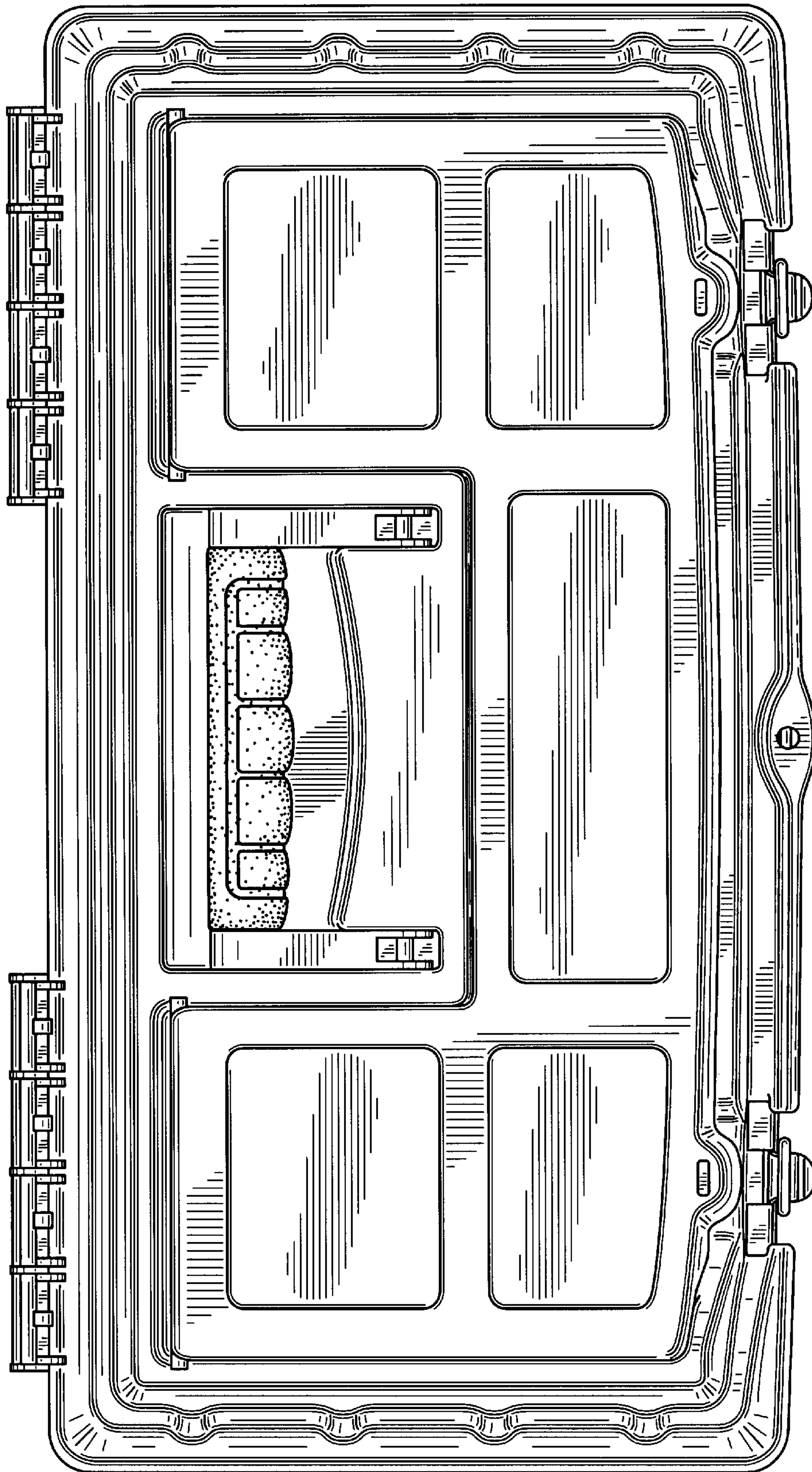


FIG. 3

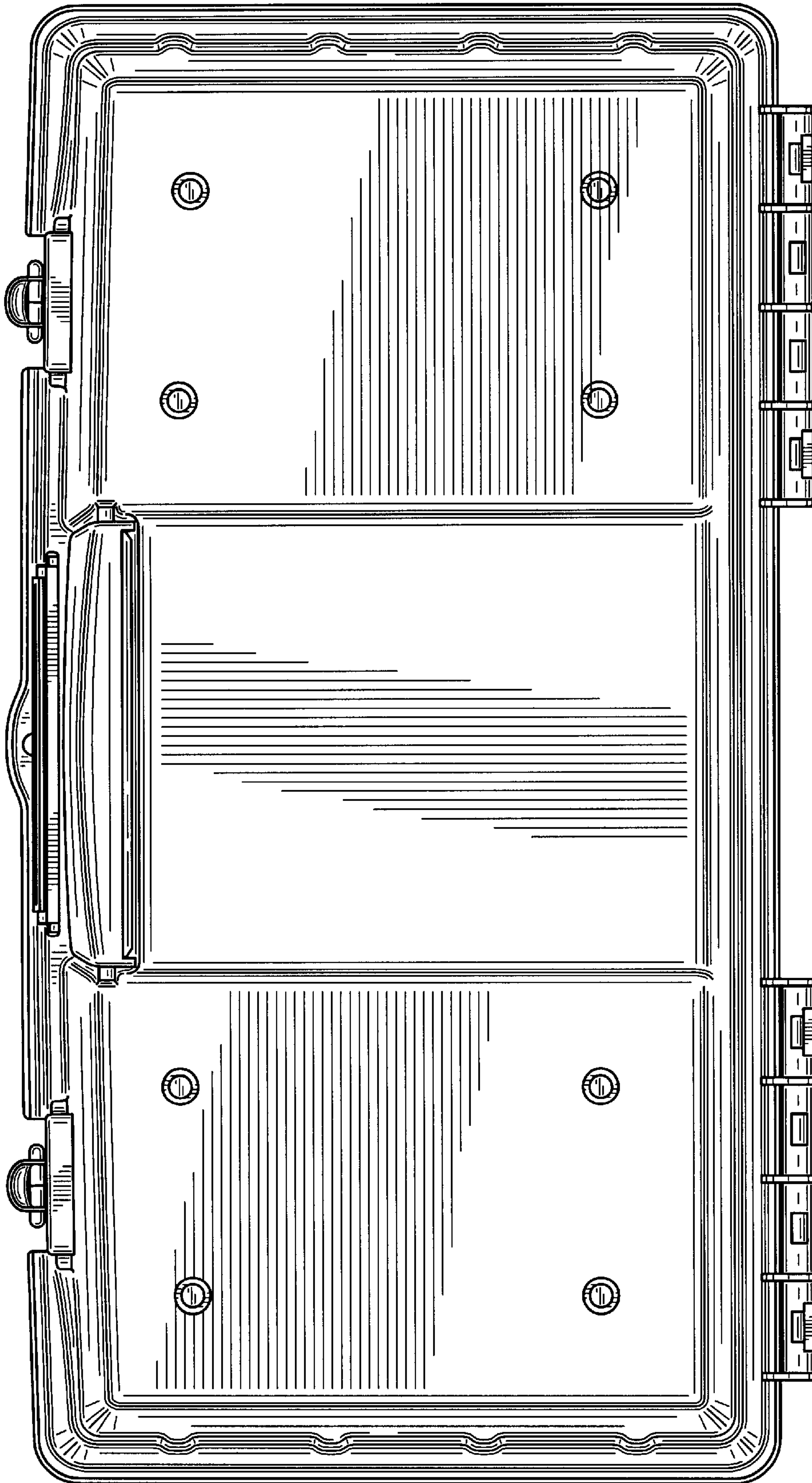


FIG. 4

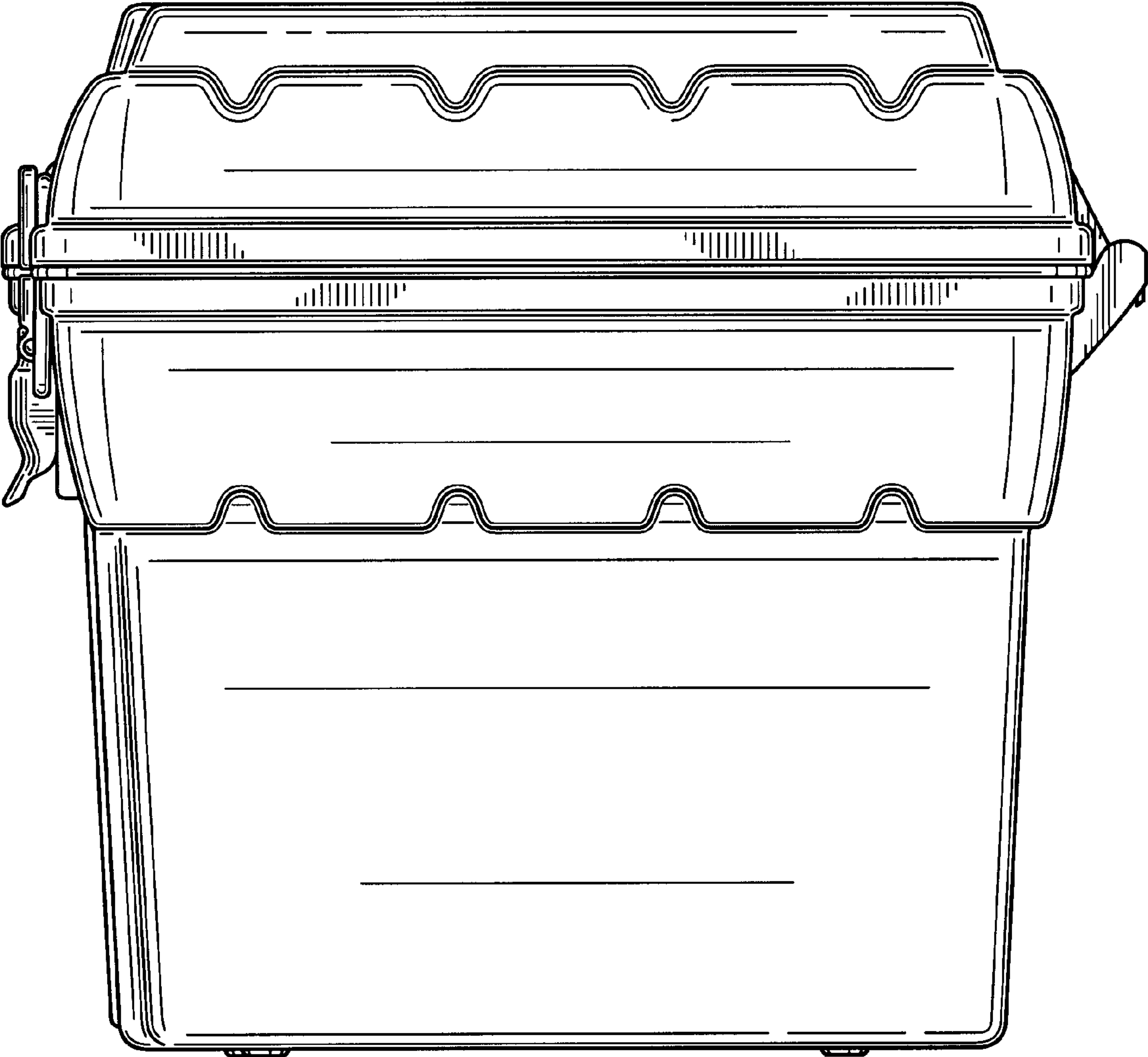


FIG. 5

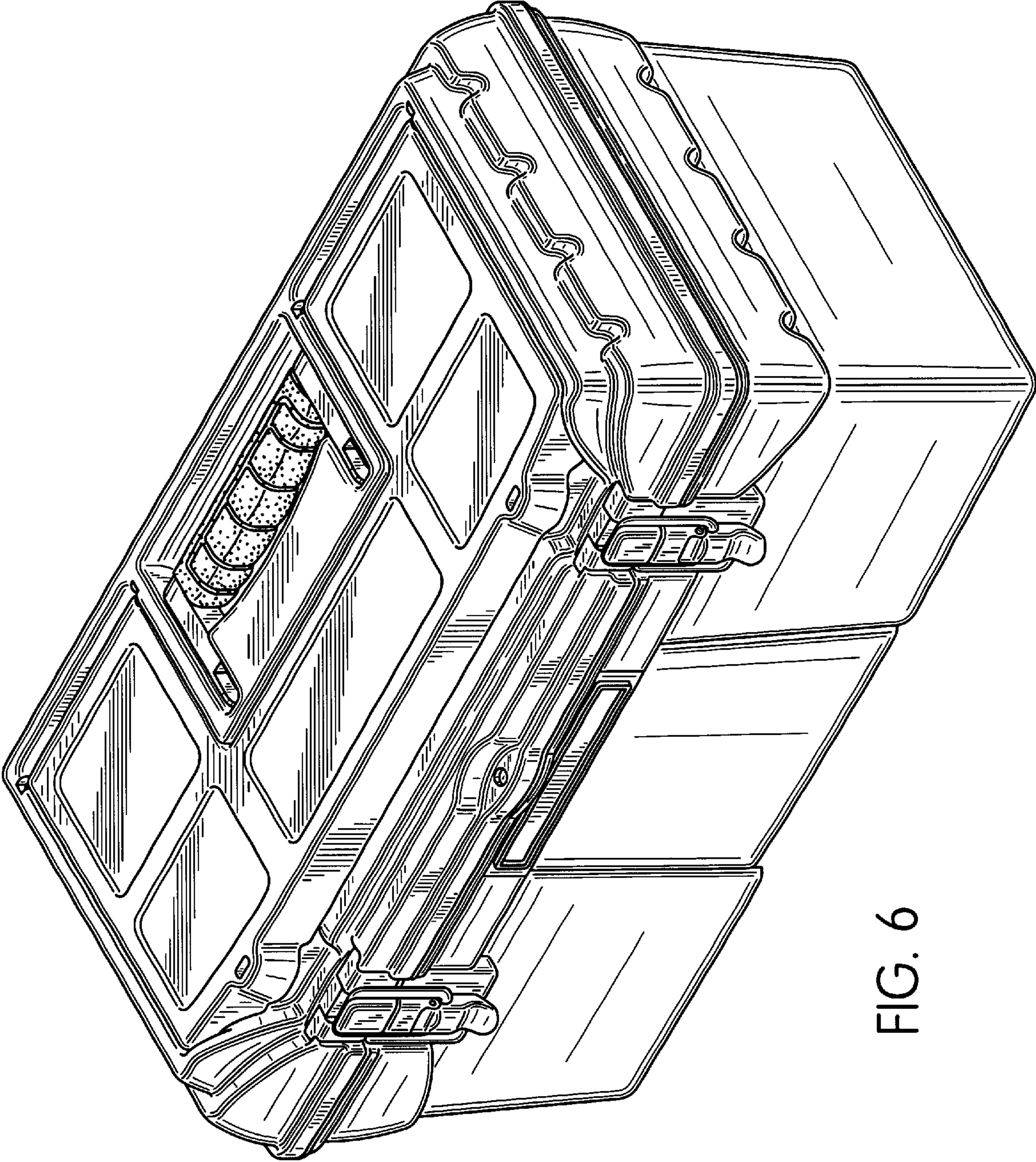


FIG. 6

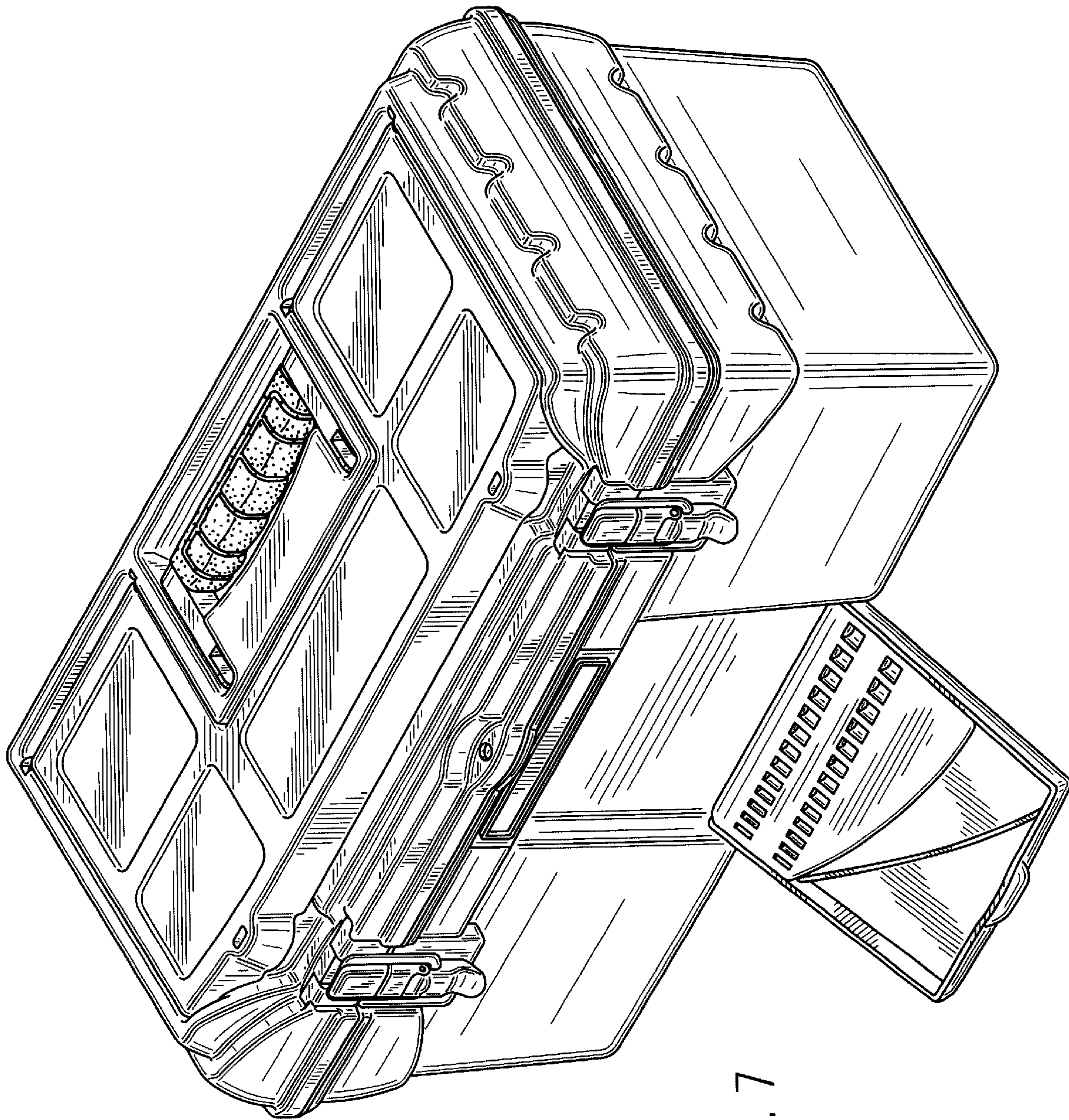


FIG. 7

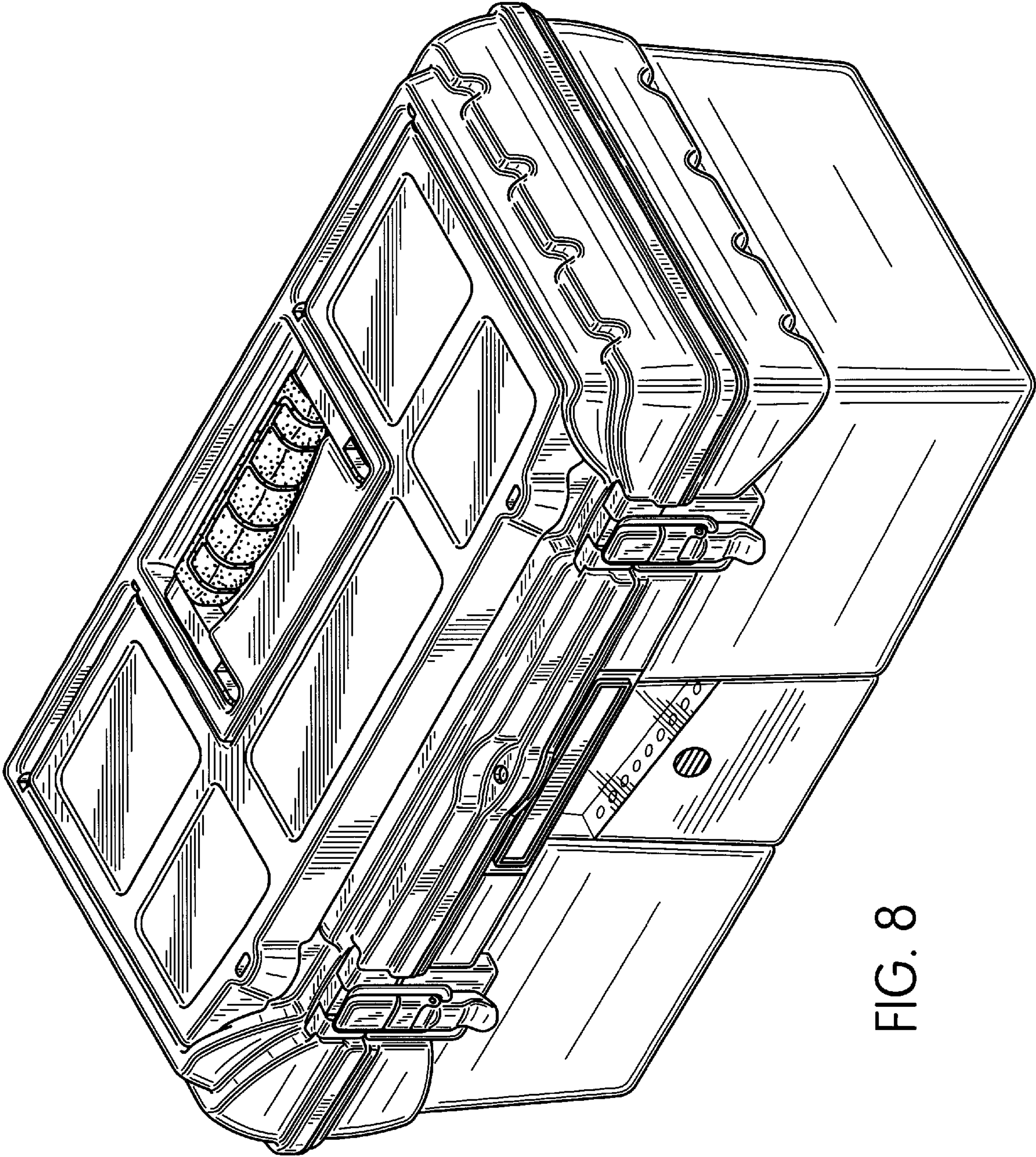


FIG. 8

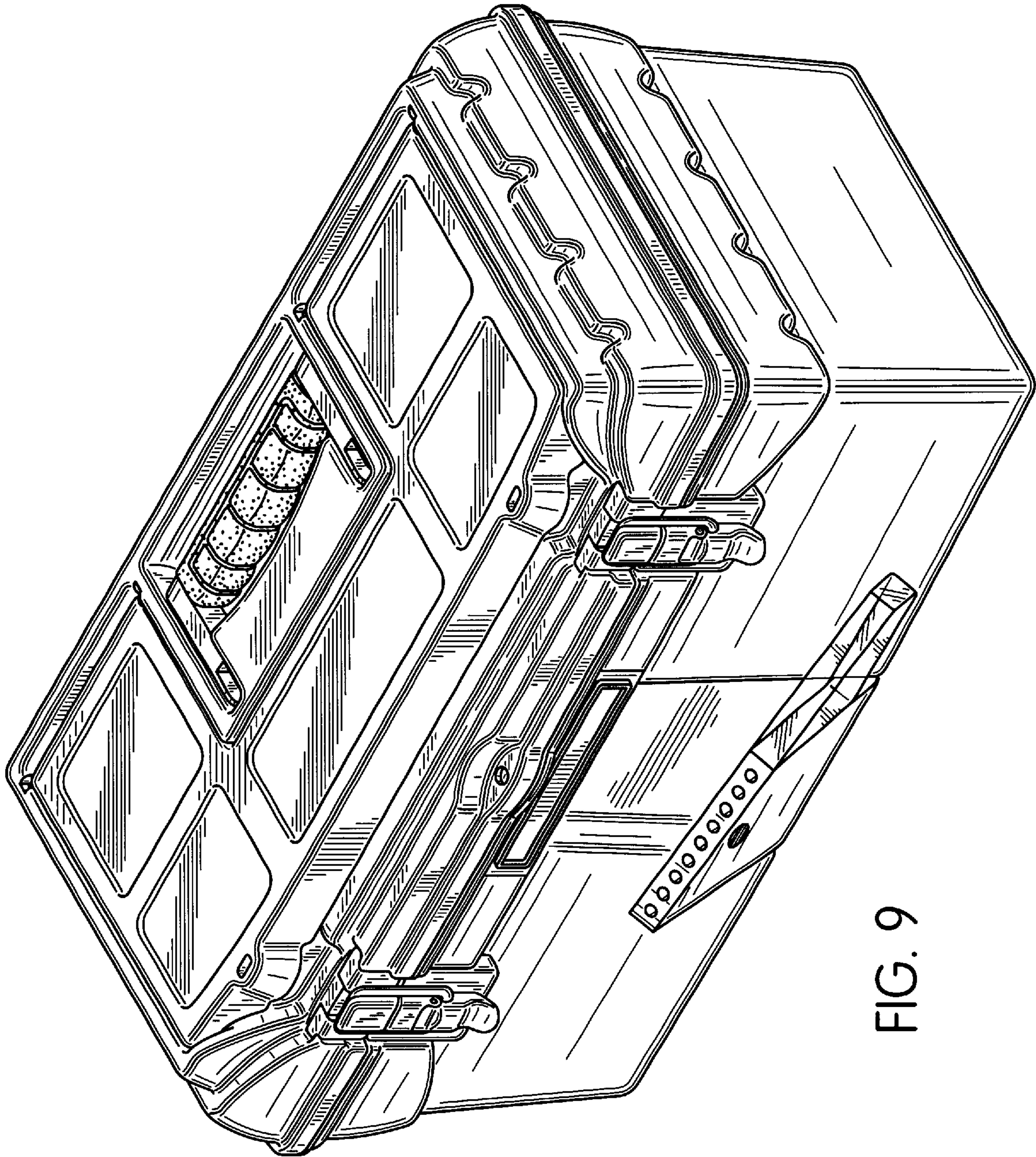


FIG. 9

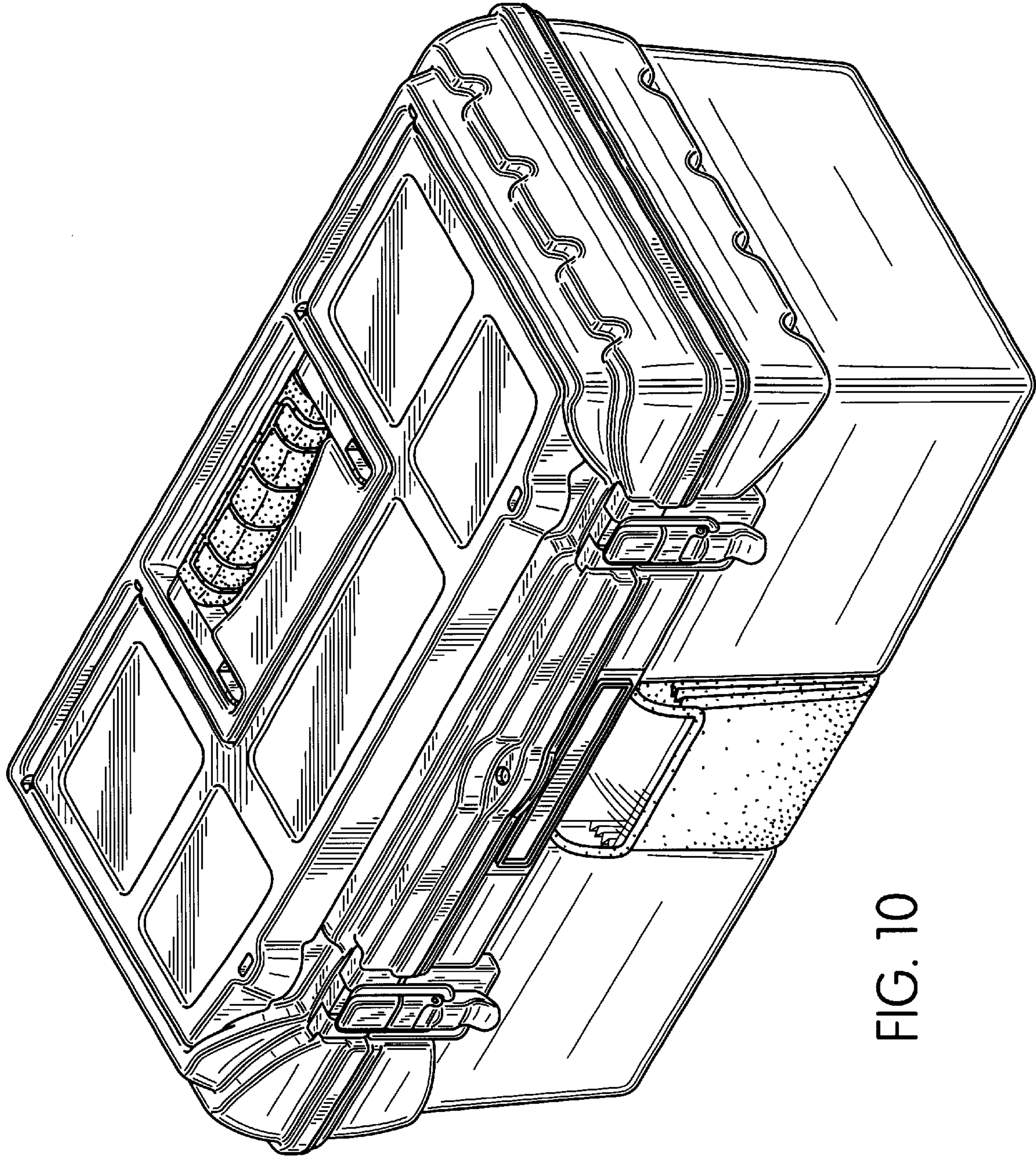


FIG. 10

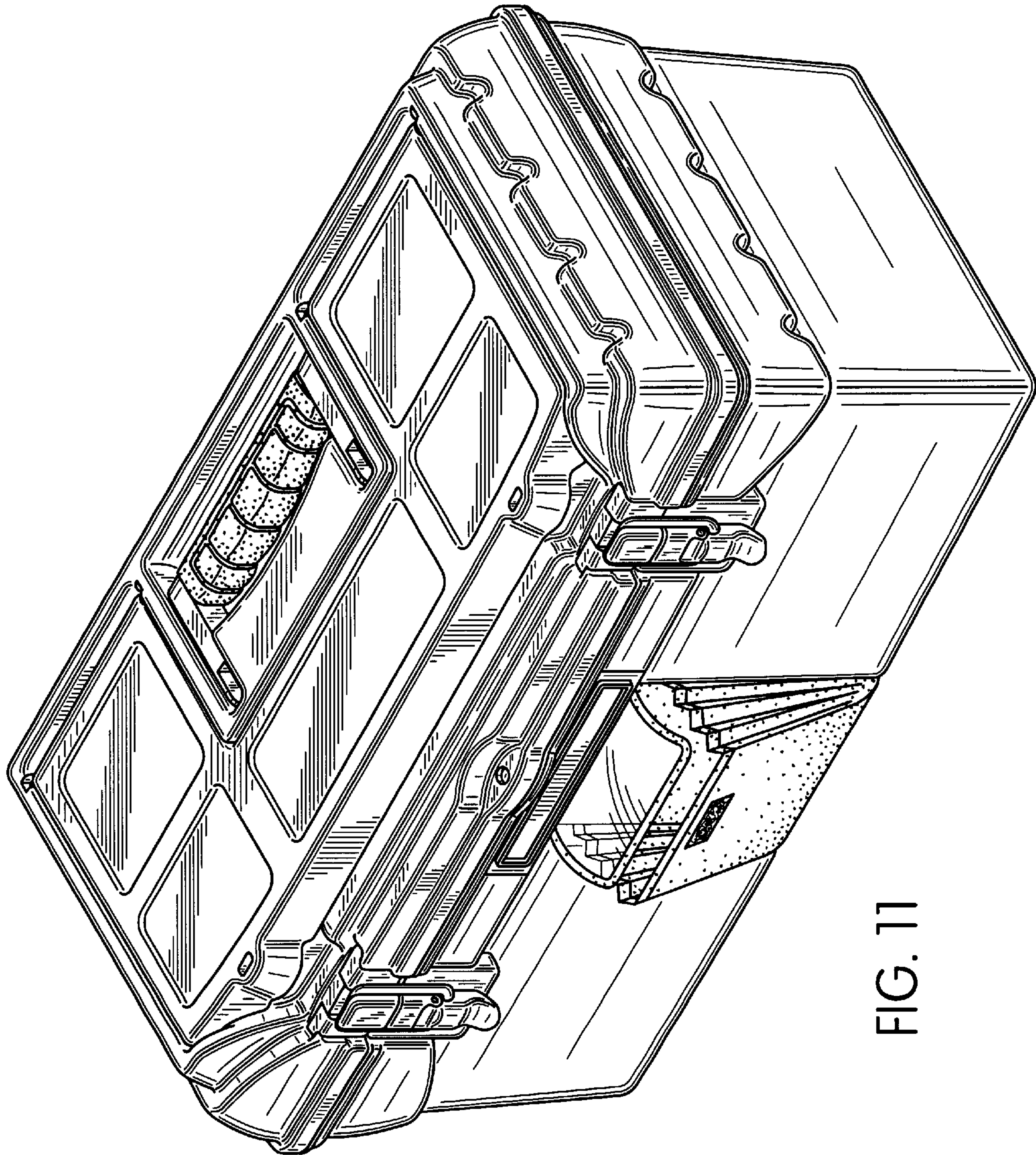


FIG. 11

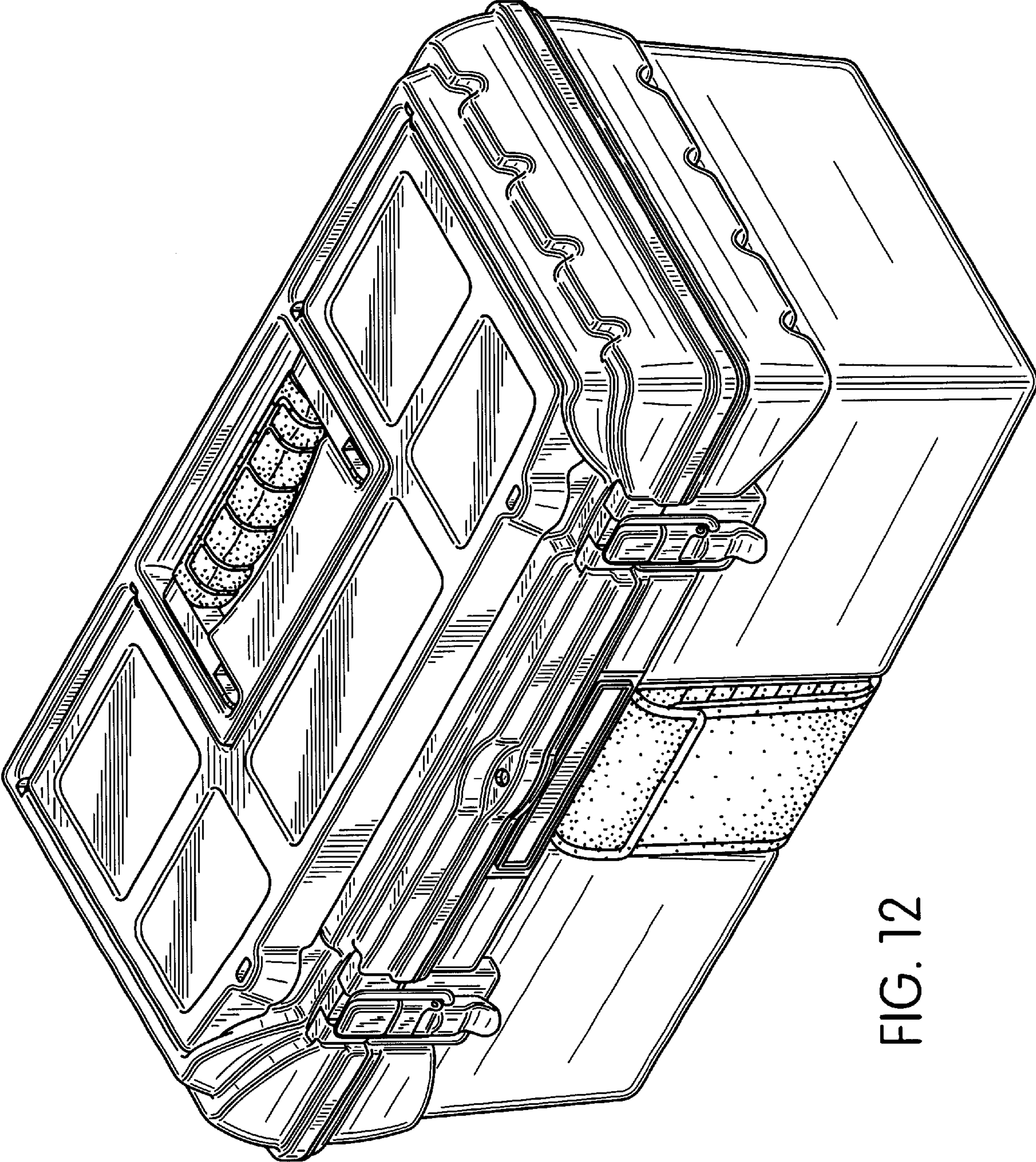


FIG. 12

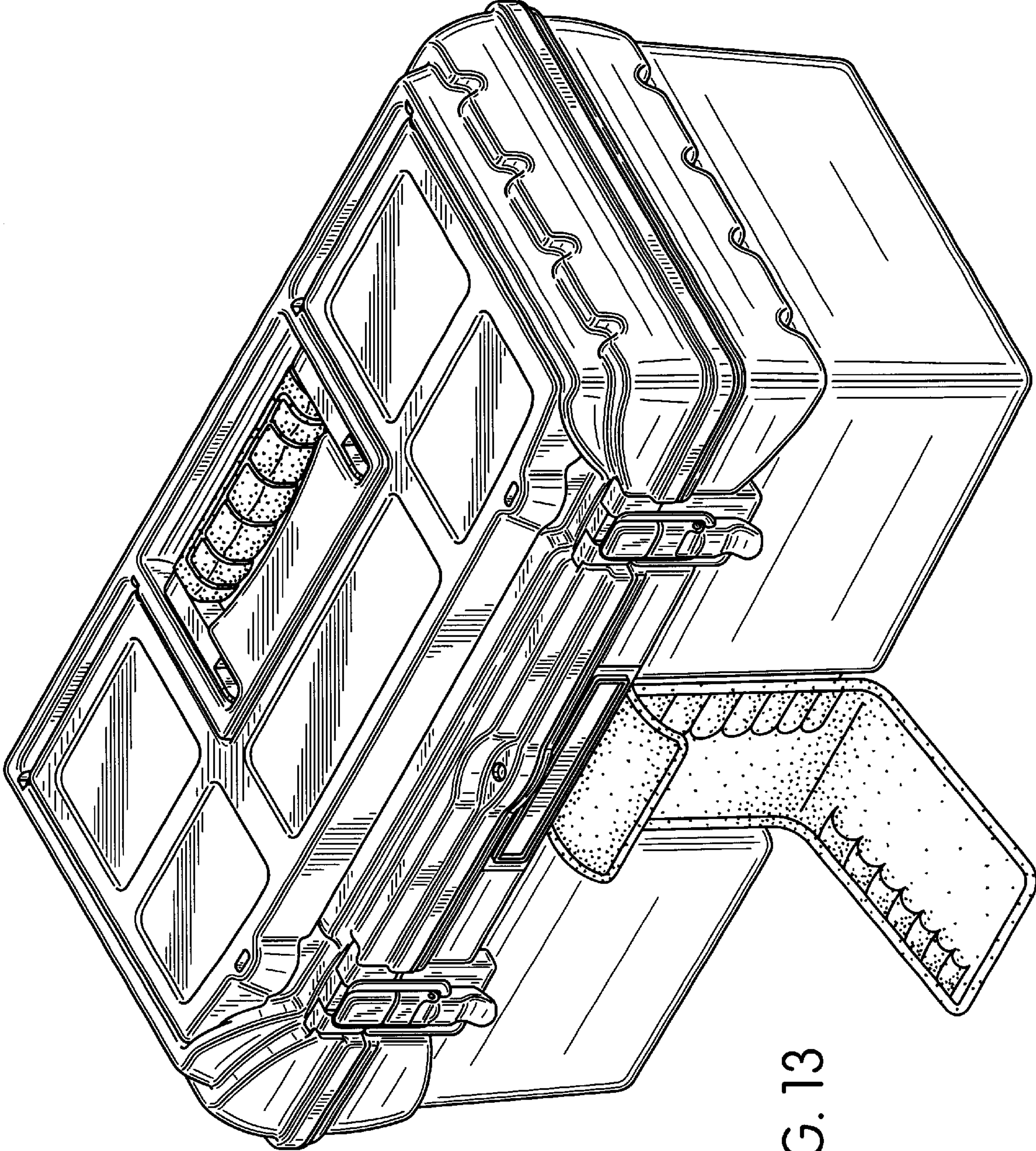


FIG. 13

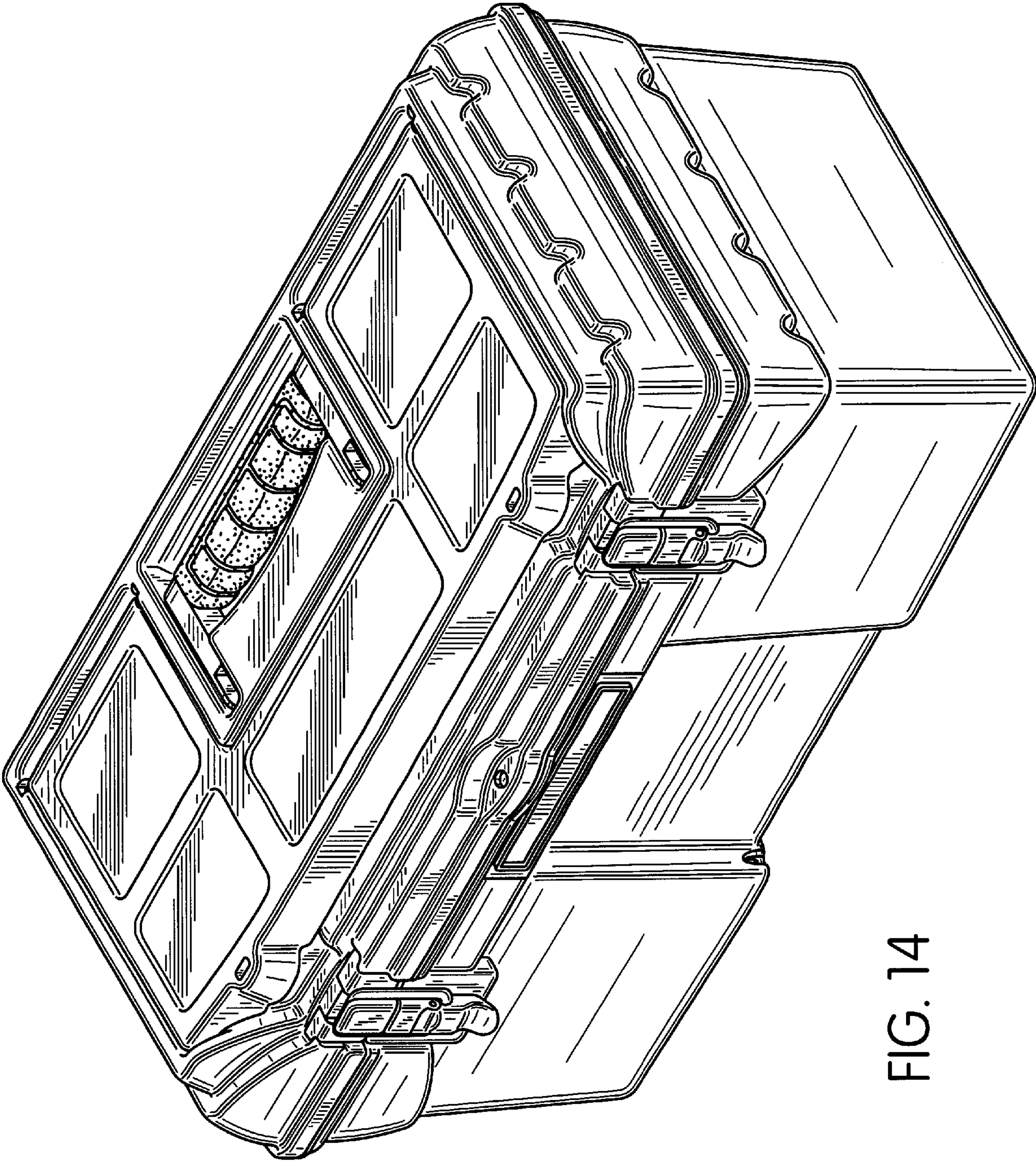


FIG. 14