

US00D493026S1

(12) **United States Design Patent**
Park

(10) **Patent No.:** **US D493,026 S**

(45) **Date of Patent:** **** Jul. 20, 2004**

(54) **SANDWICH SWEATBAND FOR A CAP**

(75) **Inventor:** **Boo Yi Park, Seoul (KR)**

(73) **Assignee:** **Dada Corp., Seoul (KR)**

(**) **Term:** **14 Years**

(21) **Appl. No.:** **29/174,800**

(22) **Filed:** **Jan. 27, 2003**

(51) **LOC (7) Cl. 02-07**

(52) **U.S. Cl. D2/894**

(58) **Field of Search** D2/865, 866, 875,
D2/876, 877, 881, 882, 884, 886, 891,
894; 2/171, 175.3, 181, 181.2, 181.4, 183,
195.1, 195.2, 195.3, 200.1, 209.4, 209.13,
DIG. 11

(56) **References Cited**

U.S. PATENT DOCUMENTS

36,097	A	*	8/1862	Loewenberg	2/200.1
D103,851	S	*	3/1937	Eisenberg	D2/894
2,339,587	A	*	1/1944	Seiden	2/175.3
4,481,681	A	*	11/1984	Hankin		
D309,523	S	*	7/1990	Martin	D2/884
D316,774	S	*	5/1991	Falk	D2/875
5,146,630	A	*	9/1992	Richard		
5,377,360	A	*	1/1995	Fleitman		
5,613,248	A	*	3/1997	Young		
5,715,540	A	*	2/1998	Cho	2/195.3
5,926,850	A	*	7/1999	Han	2/183
5,966,742	A	*	10/1999	Cunliffe	2/195.3

6,119,273	A	*	9/2000	Cho	2/195.3
6,122,774	A	*	9/2000	Park	2/181
6,199,213	B1	*	3/2001	Whang	2/181
6,363,537	B1	*	4/2002	Park	2/181
6,477,715	B2	*	11/2002	Shin	2/181.4
D476,265	S	*	6/2003	Lee	D2/894

* cited by examiner

Primary Examiner—Doris V. Coles

Assistant Examiner—Mimosa De

(57) **CLAIM**

The ornamental design for sandwich sweatband for a cap, as shown and described.

DESCRIPTION

FIG. 1 is a perspective view of sandwich sweatband for a cap showing my new design;

FIG. 2 is a rear elevational view of FIG. 1;

FIG. 3 is a bottom plan view of FIG. 1;

FIG. 4 is a front elevational view of sandwich sweatband of FIG. 1;

FIG. 5 is a rear elevational view of FIG. 4;

FIG. 6 is a top plan view of FIG. 4; and,

FIG. 7 is a right side elevational view of FIG. 4: the left side is a mirror image.

The broken line showing of the crown and the visor is for illustrative purposes only and forms no part of the claimed design, and the broken line shown on the sweatband represents stitching.

1 Claim, 3 Drawing Sheets

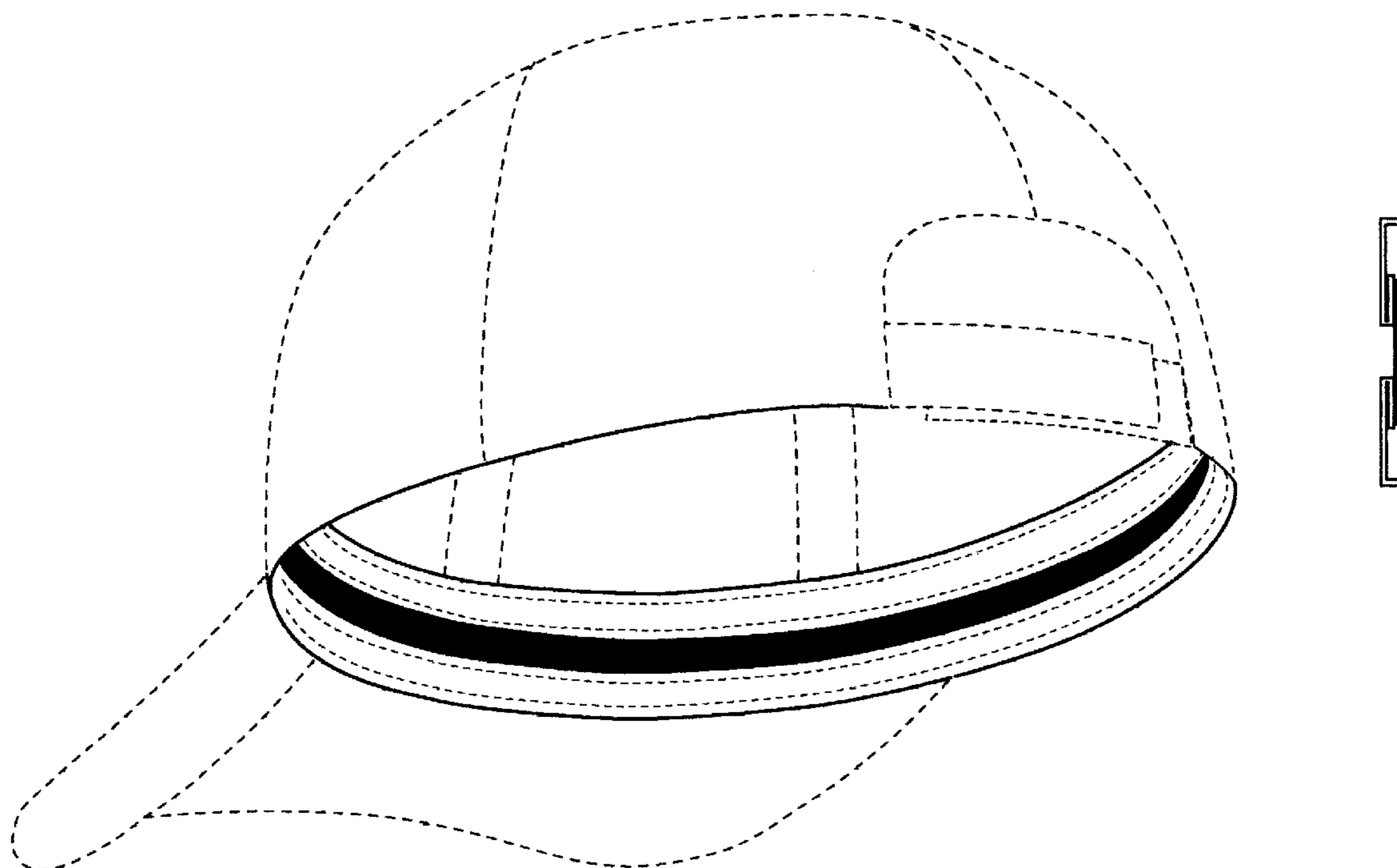


FIG.1

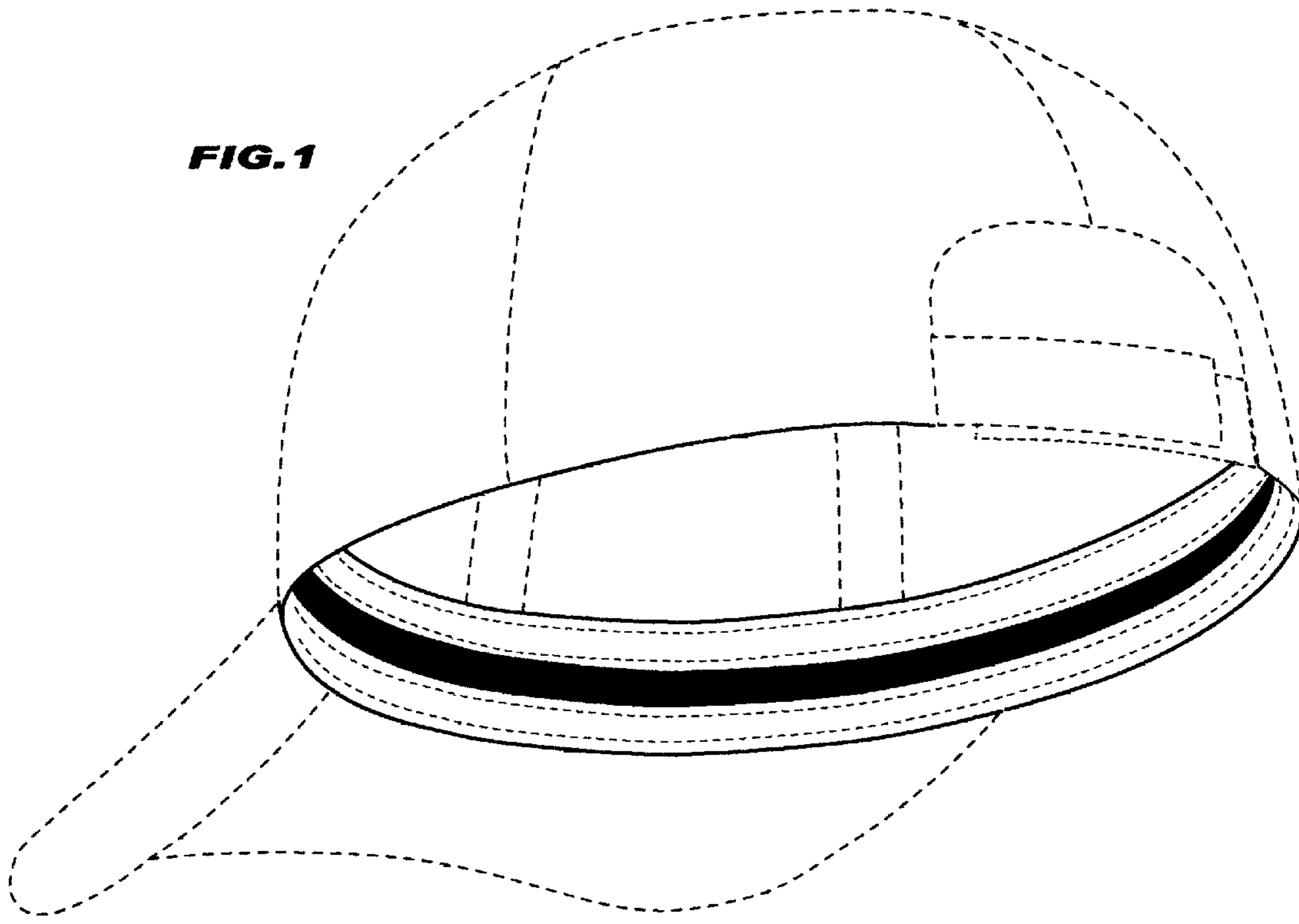


FIG.2

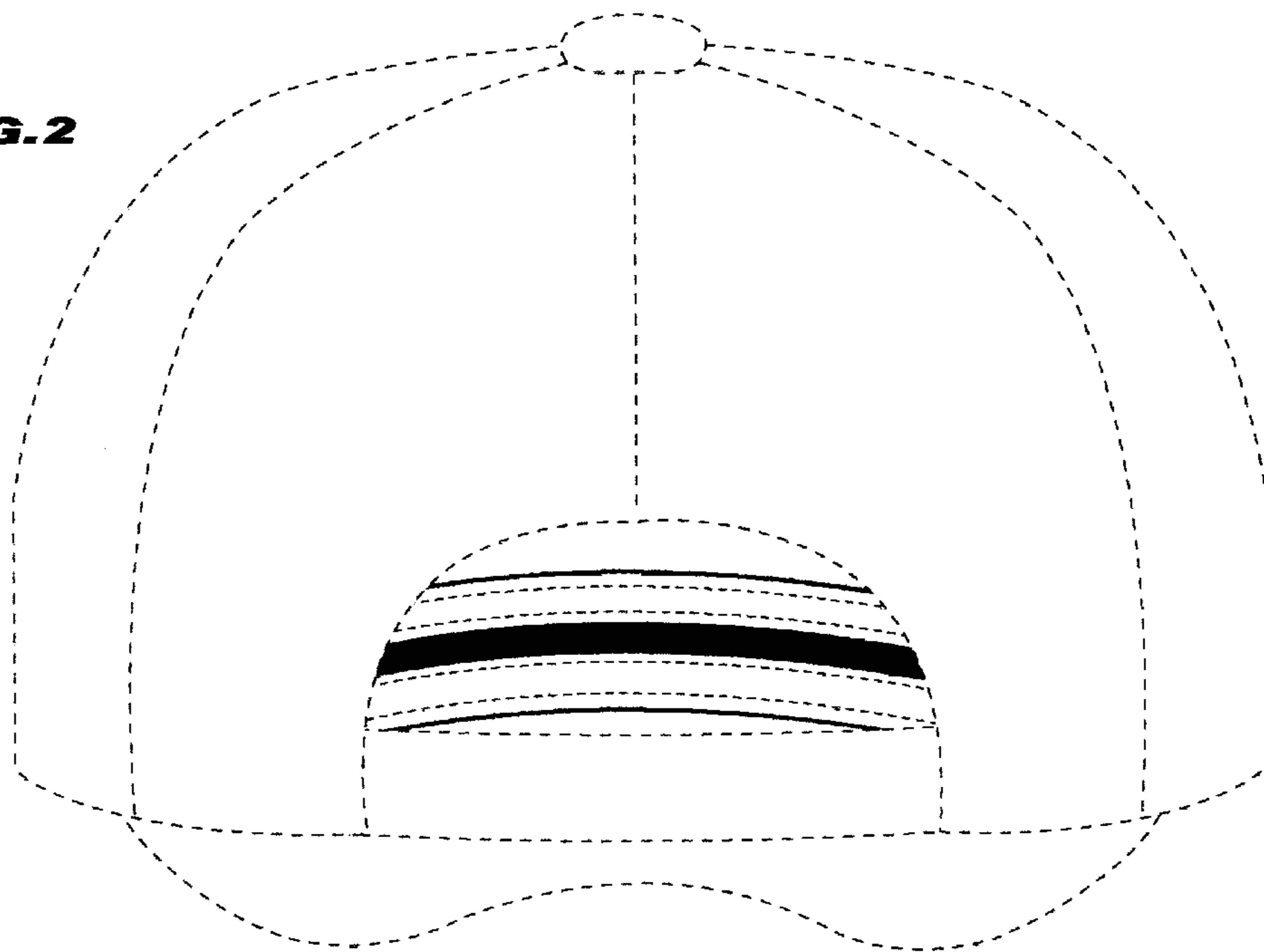


FIG.3

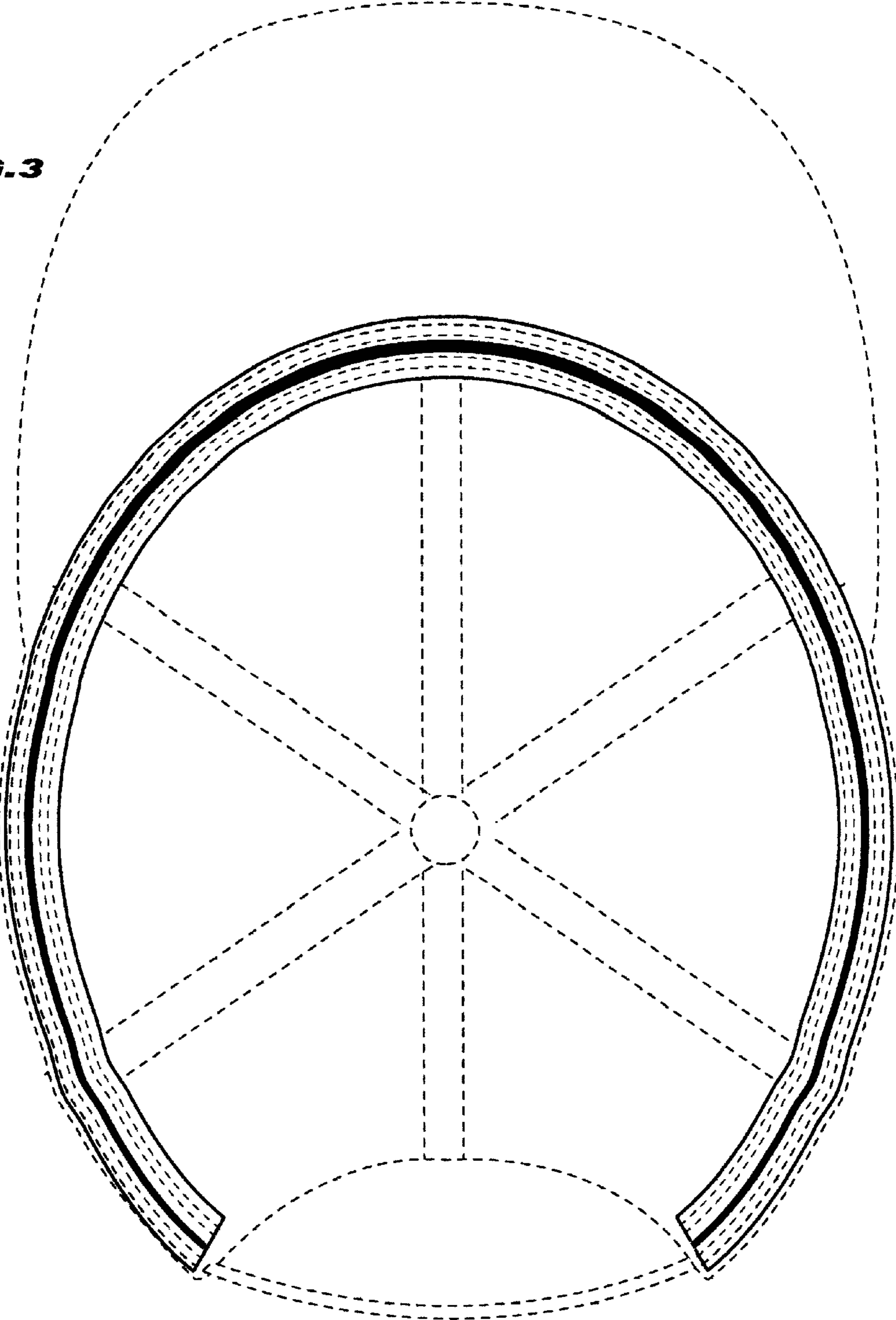


FIG.4



FIG.5

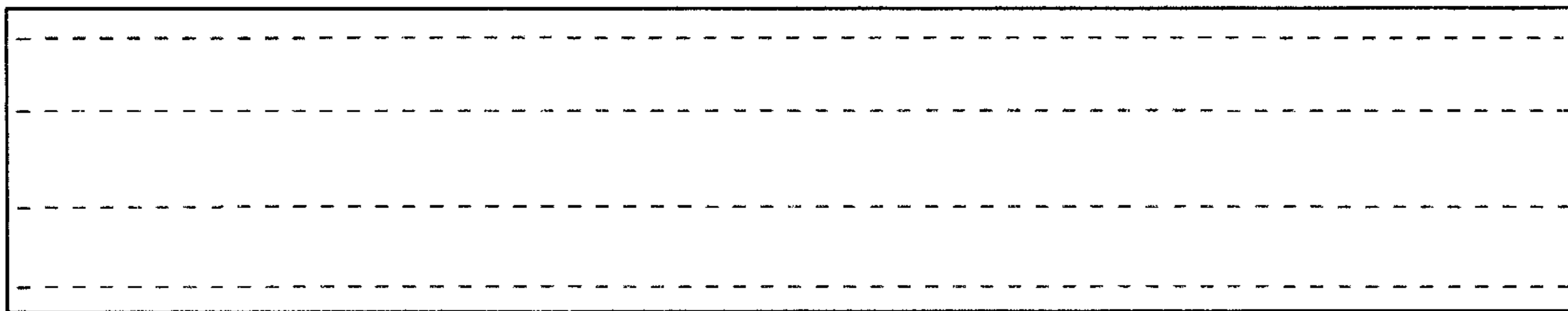


FIG.6

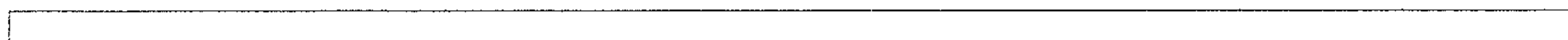


FIG.7

