

US00D493025S1

(12) **United States Design Patent**  
**Park**

(10) **Patent No.:** **US D493,025 S**

(45) **Date of Patent:** **\*\* Jul. 20, 2004**

(54) **SEMI-PANEL IMAGE FOR A CAP**

(75) **Inventor:** **Boo Yi Park, Seoul (KR)**

(73) **Assignee:** **Dada Corp., Seoul (KR)**

(\*\*) **Term:** **14 Years**

(21) **Appl. No.:** **29/174,386**

(22) **Filed:** **Jan. 17, 2003**

(51) **LOC (7) Cl.** ..... **02-03**

(52) **U.S. Cl.** ..... **D2/882**

(58) **Field of Search** ..... D2/865, 869, 872,  
D2/873, 876, 879, 881, 882, 884, 891,  
893; 2/10, 181, 195.1, 195.2, 171.1, 171.7,  
175.1, 209.12

(56) **References Cited**

**U.S. PATENT DOCUMENTS**

D26,451 S	*	12/1896	Wolgang	.....	D2/882
4,131,953 A		1/1979	Kimotsuki		
4,873,726 A	*	10/1989	Tapia	.....	2/195.1
5,099,524 A		3/1992	Linday		
D400,692 S	*	11/1998	Bell	.....	D2/882
D405,239 S	*	2/1999	Kostinko	.....	D2/882
5,887,285 A		3/1999	McCormick		
D452,768 S	*	1/2002	Park	.....	D2/882
D453,610 S	*	2/2002	Lee	.....	D2/882
6,345,395 B1		2/2002	Chilton		

D455,539 S	*	4/2002	Kates	.....	D2/882
D459,860 S	*	7/2002	Bussell	.....	D2/869
D460,604 S	*	7/2002	Sullivan, Jr.	.....	D2/882
D474,002 S	*	5/2003	Park	.....	D2/882

**OTHER PUBLICATIONS**

Hat, marked as A, Supreme Hats Mfg. Co., p. 281, Hong Kong Enterprise catalog, vol. 5, 1983.\*

\* cited by examiner

*Primary Examiner*—Stacia Cadmus

*Assistant Examiner*—Mimosa De

(57) **CLAIM**

The ornamental design for semi-panel image for a cap, as shown and described.

**DESCRIPTION**

FIG. 1 is a rear perspective view of semi-panel image for a cap showing my new design;

FIG. 2 is a rear elevational view of FIG. 1;

FIG. 3 is a reduced right side elevational view of FIG. 1: the left side is a mirror image; and,

FIG. 4 is a reduced top plan view of FIG. 1.

The broken line showing of a part of the crown and the visor is for illustrative purposes only and forms no part of the claimed design, and the broken line shown in the solid line on the part of the crown represents stitching.

**1 Claim, 2 Drawing Sheets**

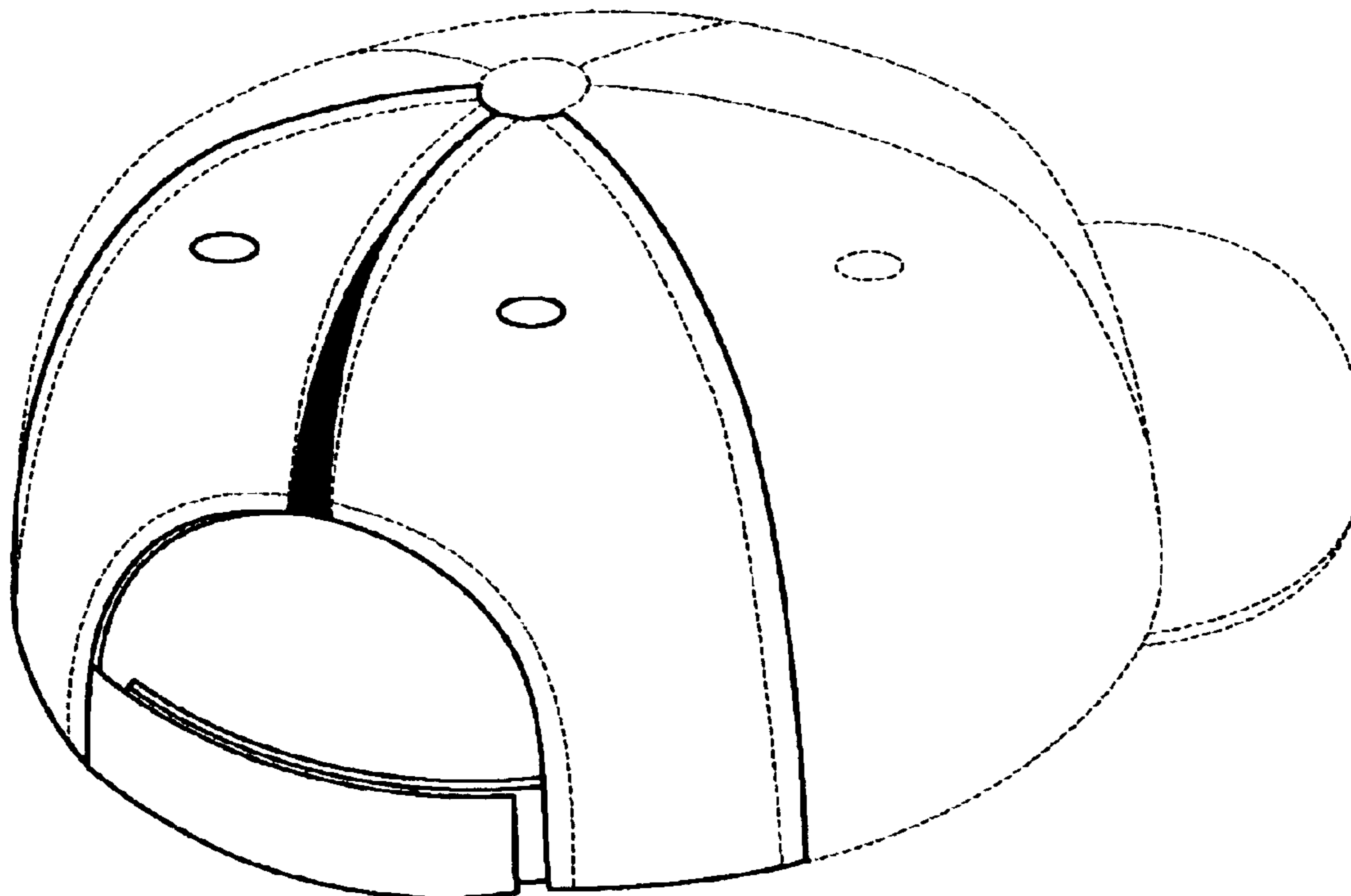


FIG.1

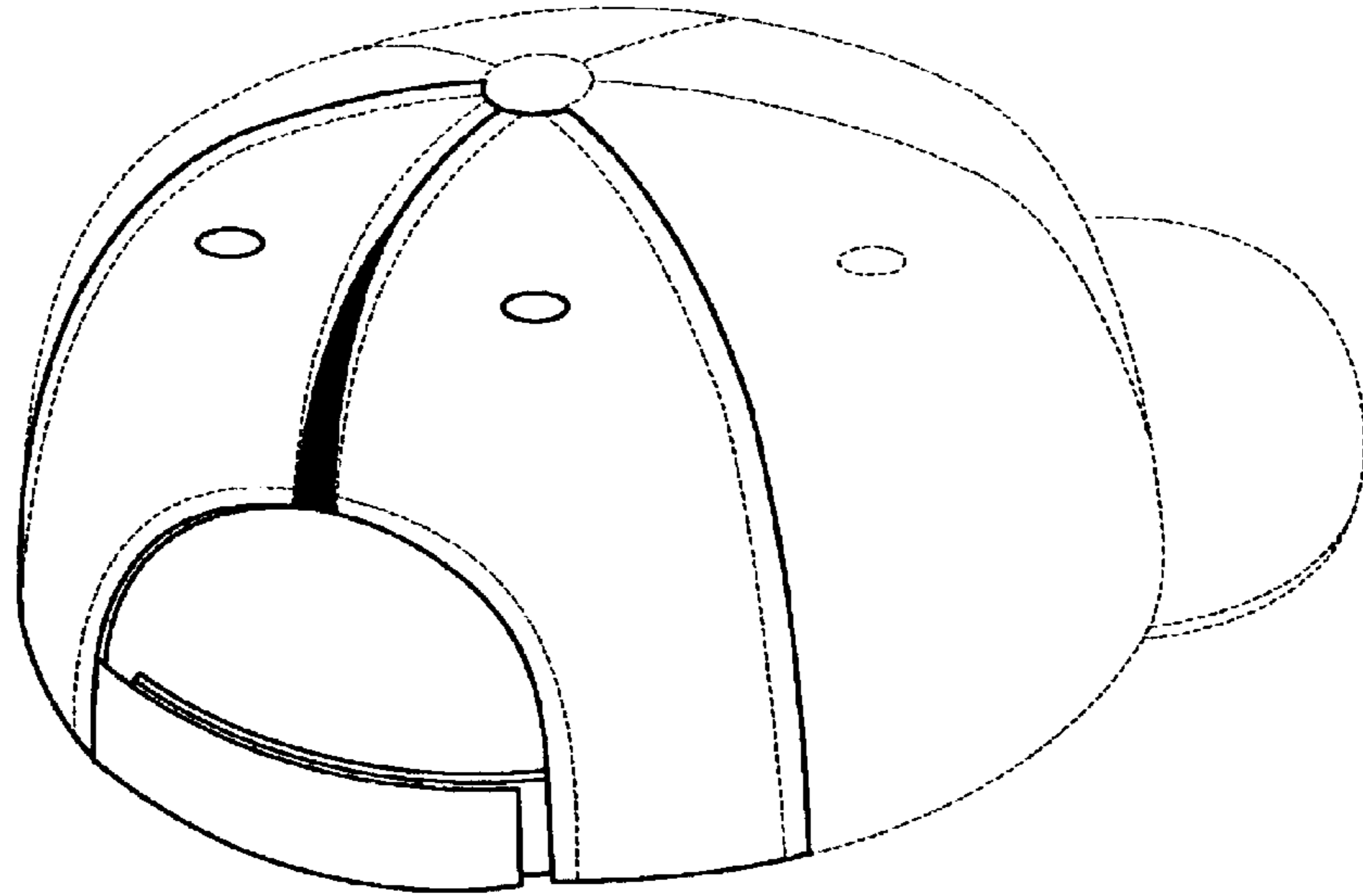
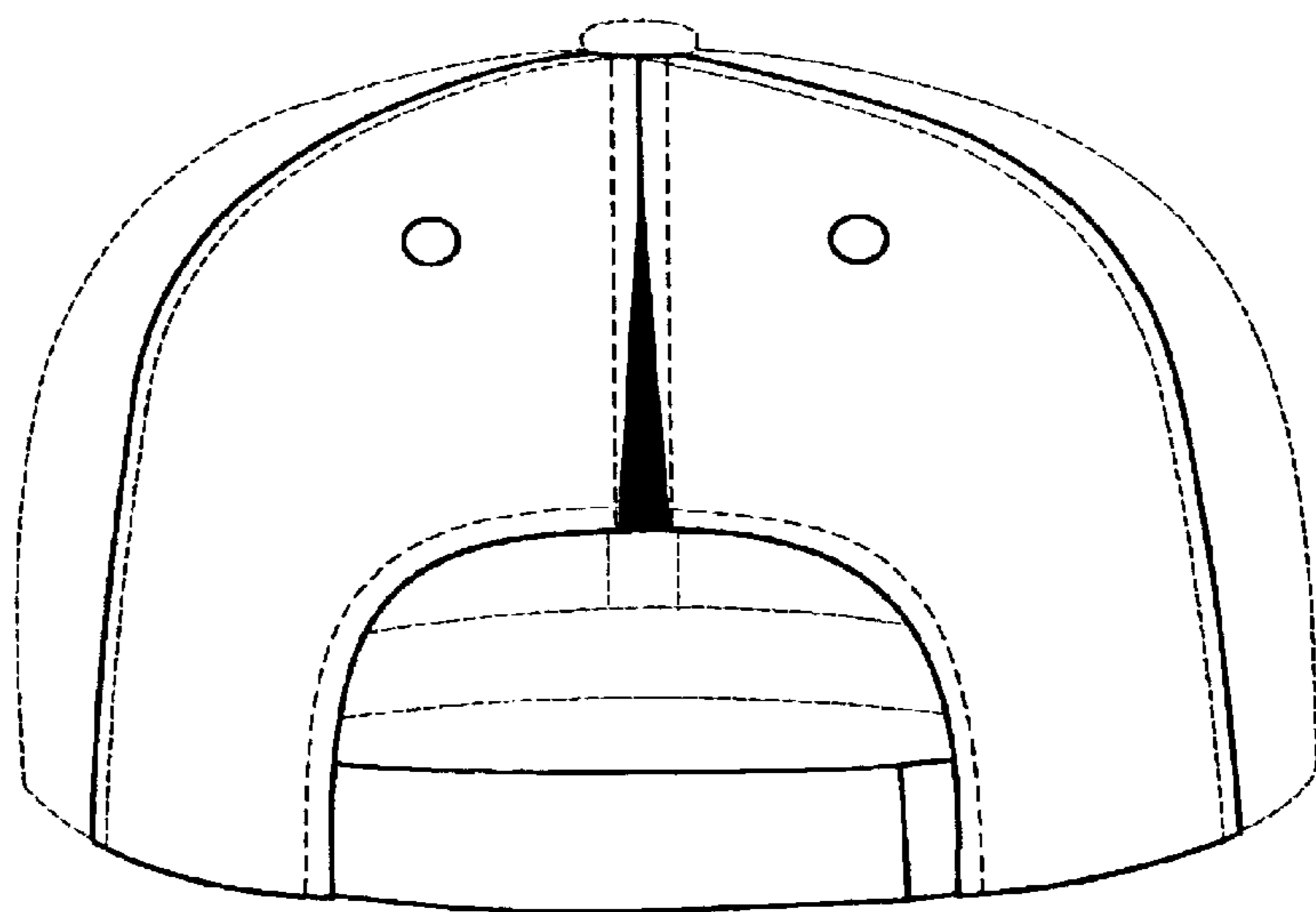
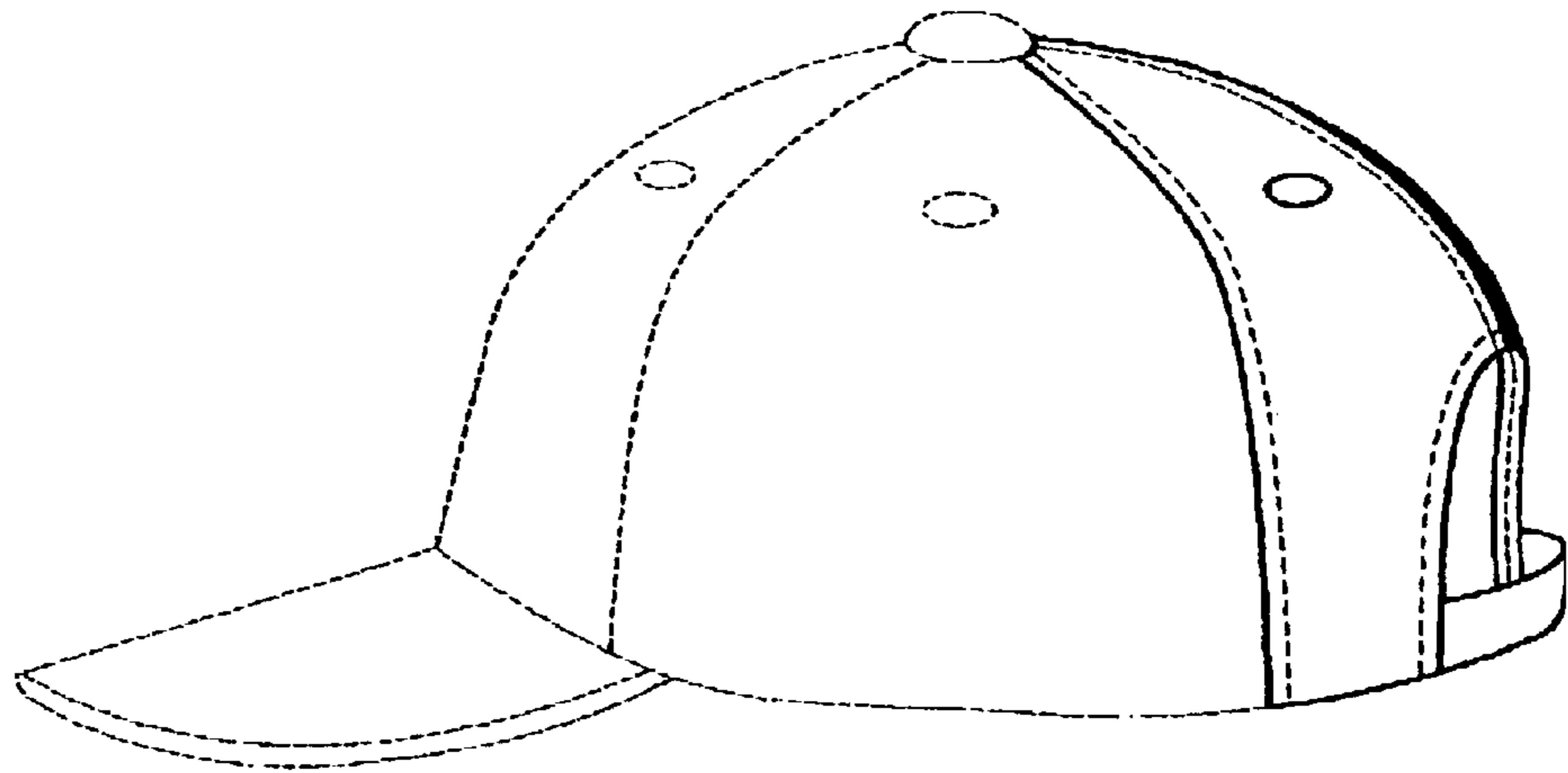


FIG.2



**FIG.3**



**FIG.4**

