

US00D493018S1

(12) **United States Design Patent**
Liao

(10) **Patent No.:** **US D493,018 S**
(45) **Date of Patent:** **** Jul. 13, 2004**

(54) **GOLF CART**

D462,152 S * 8/2002 Liao D34/15

(75) **Inventor:** **Gordon Liao, Tainan Hsien (TW)**

* cited by examiner

(73) **Assignee:** **Unique Product & Design Co., LTD,**
Yuan Kang (TW)

Primary Examiner—Kay H. Chin

(74) *Attorney, Agent, or Firm*—Bacon & Thomas PLLC

(**) **Term:** **14 Years**

(57) **CLAIM**

The ornamental design for a golf cart, as shown and described.

(21) **Appl. No.:** **29/191,316**

(22) **Filed:** **Oct. 7, 2003**

DESCRIPTION

(51) **LOC (7) Cl.** **12-02**

FIG. 1 is a perspective view of a golf cart showing my new design;

(52) **U.S. Cl.** **D34/15**

FIG. 2 is a right side elevational view thereof;

(58) **Field of Search** D34/12-27; 280/39,
280/40, 645, 651, 652, 655, 47.17, 47.18,
47.131, 47.24, 47.315, DIG. 6

FIG. 3 is a top plan view thereof;

FIG. 4 is a front elevational view thereof;

FIG. 5 is a bottom plan view thereof;

FIG. 6 is a left side elevational view thereof;

FIG. 7 is a rear elevational view thereof; and,

FIG. 8 is a perspective view thereof in its folded condition.

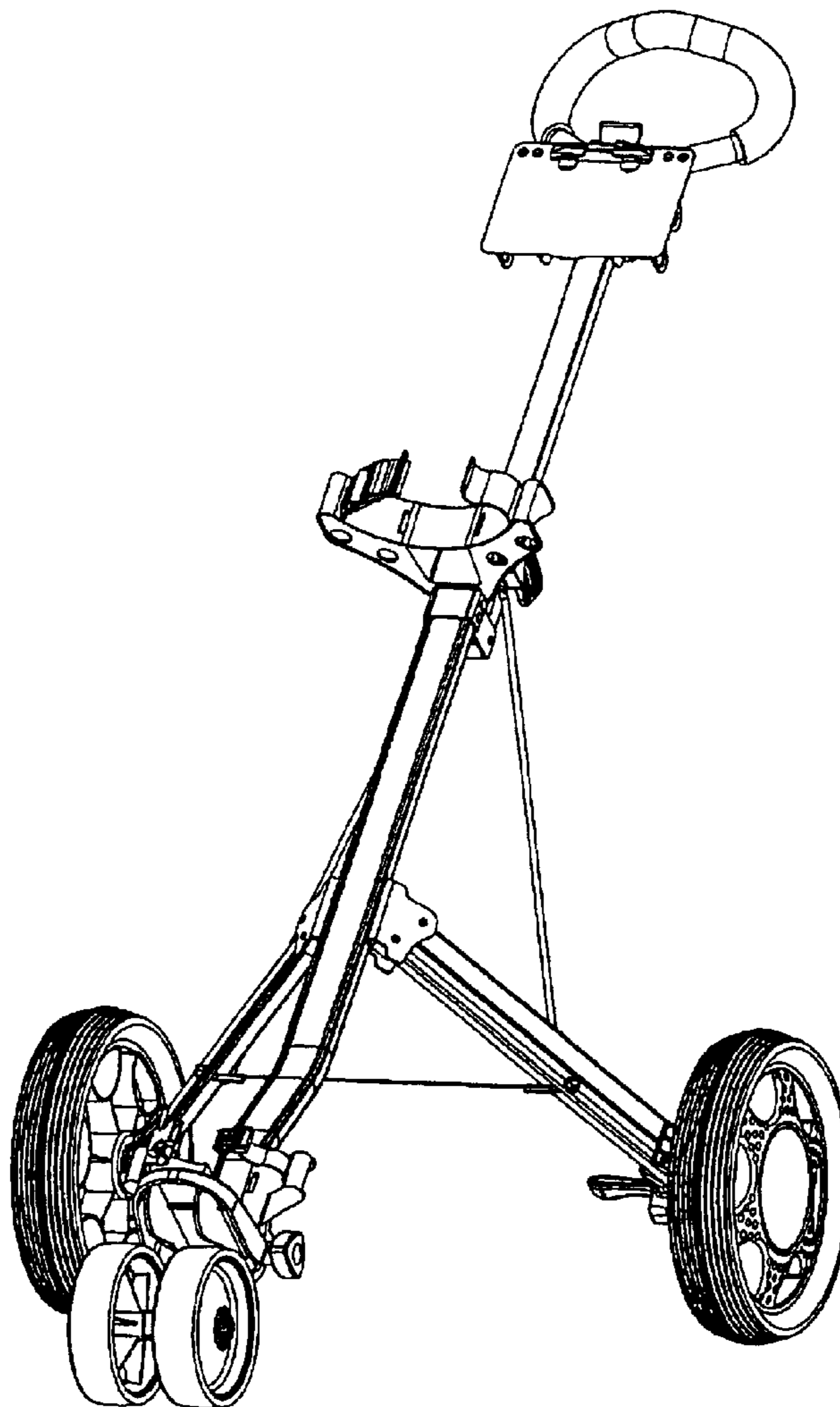
(56) **References Cited**

U.S. PATENT DOCUMENTS

D285,017 S * 8/1986 Zentis et al. D34/15

D450,416 S * 11/2001 Liao D34/15

1 Claim, 8 Drawing Sheets



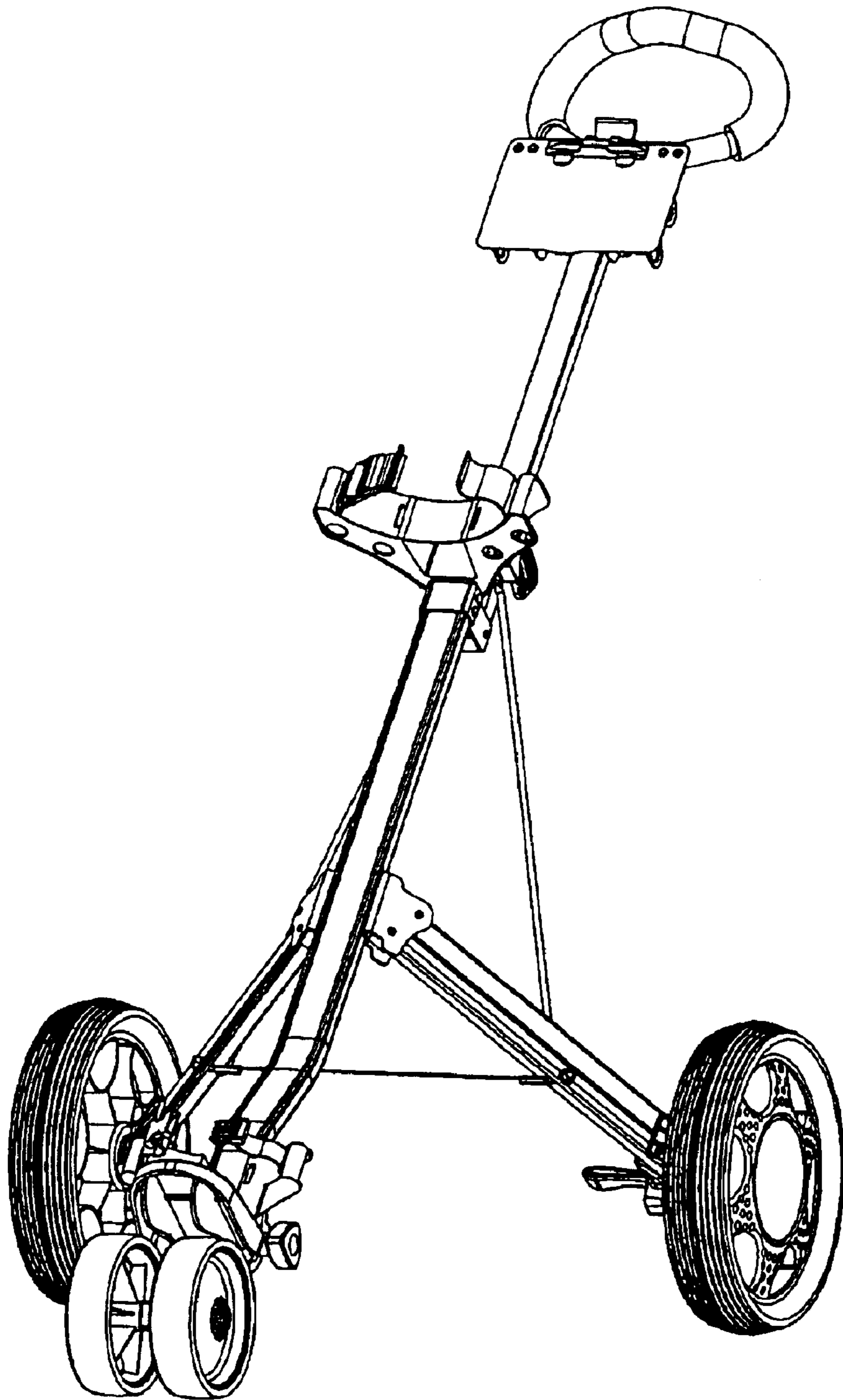


FIG. 1

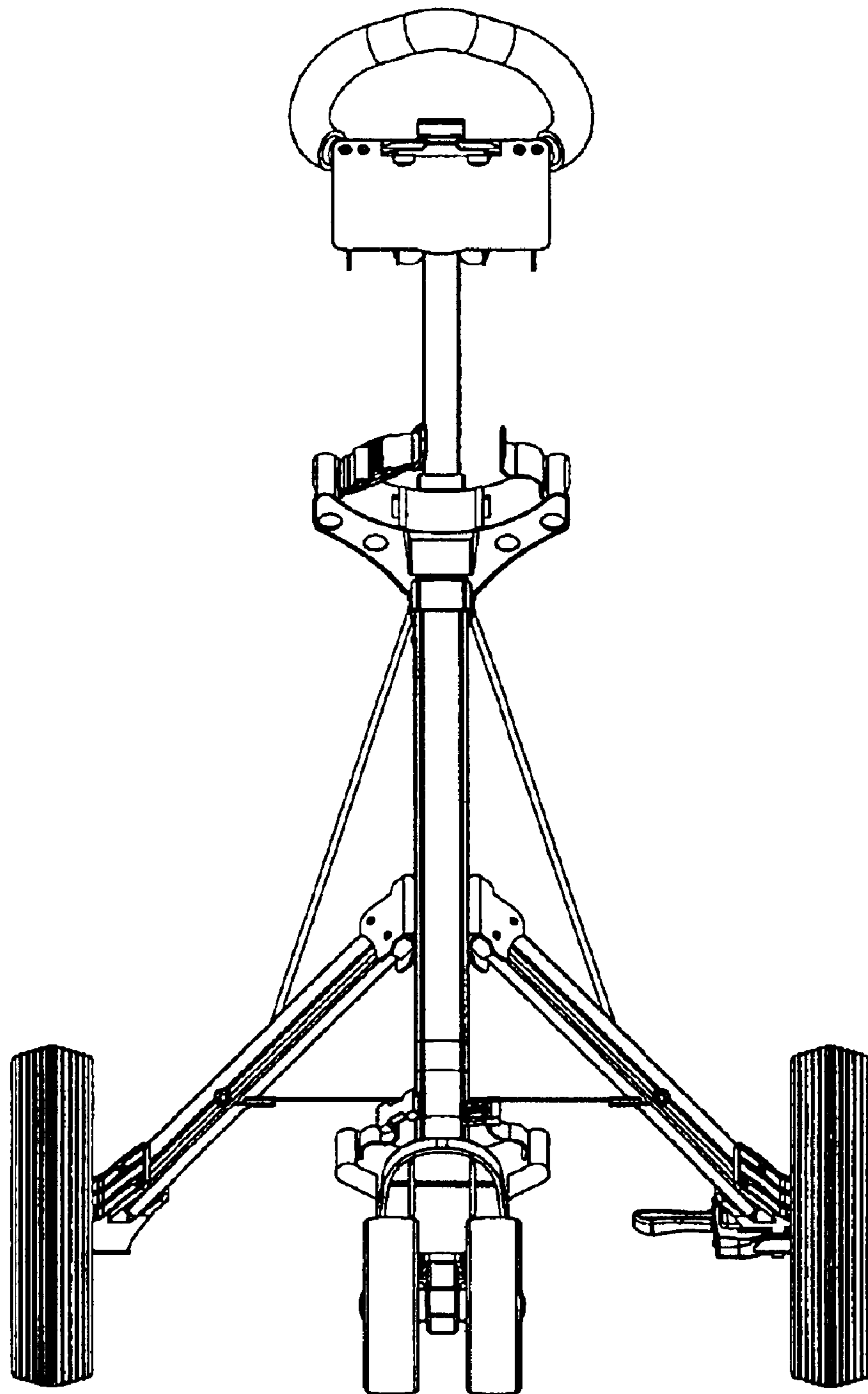


FIG. 2

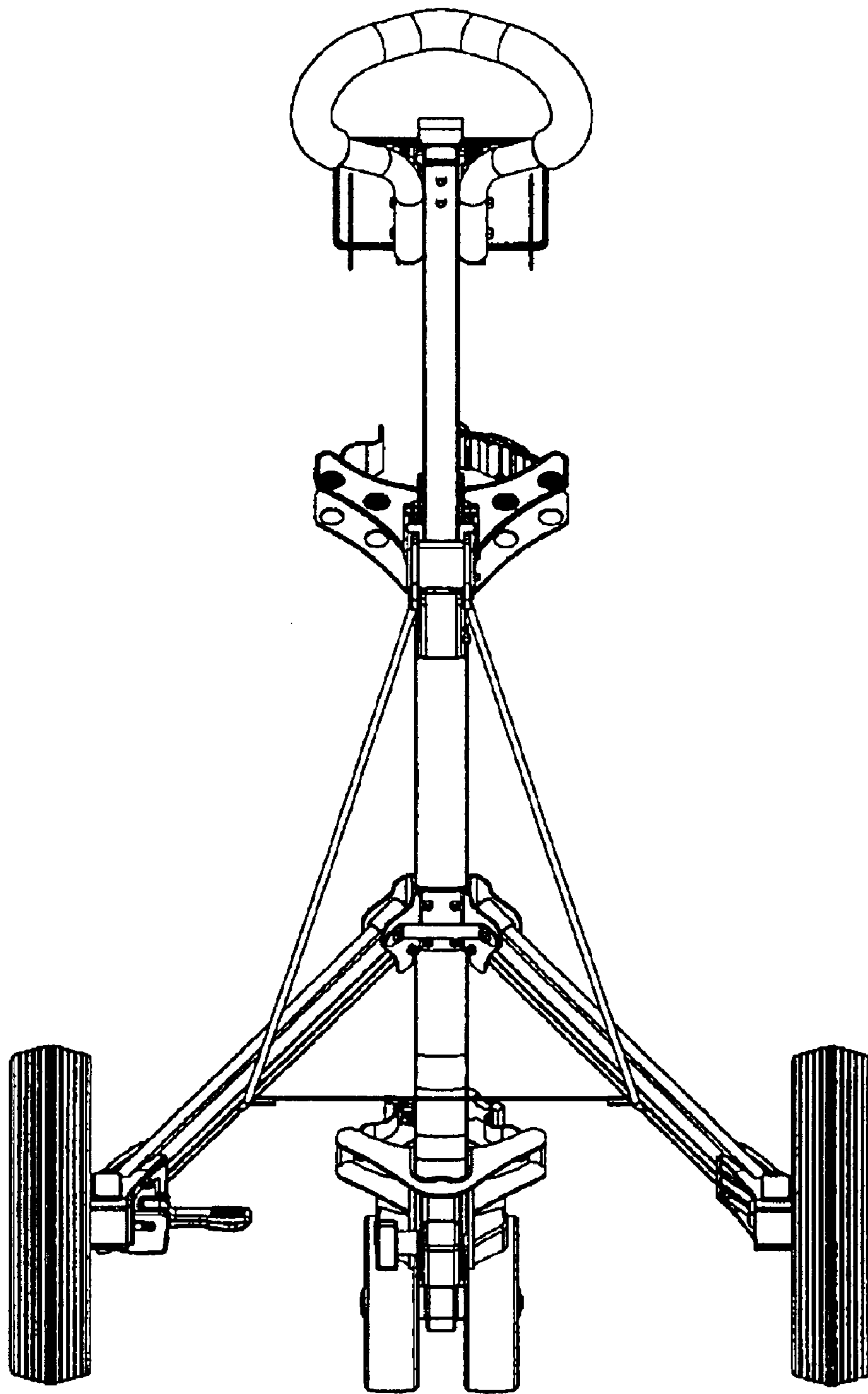


FIG. 3

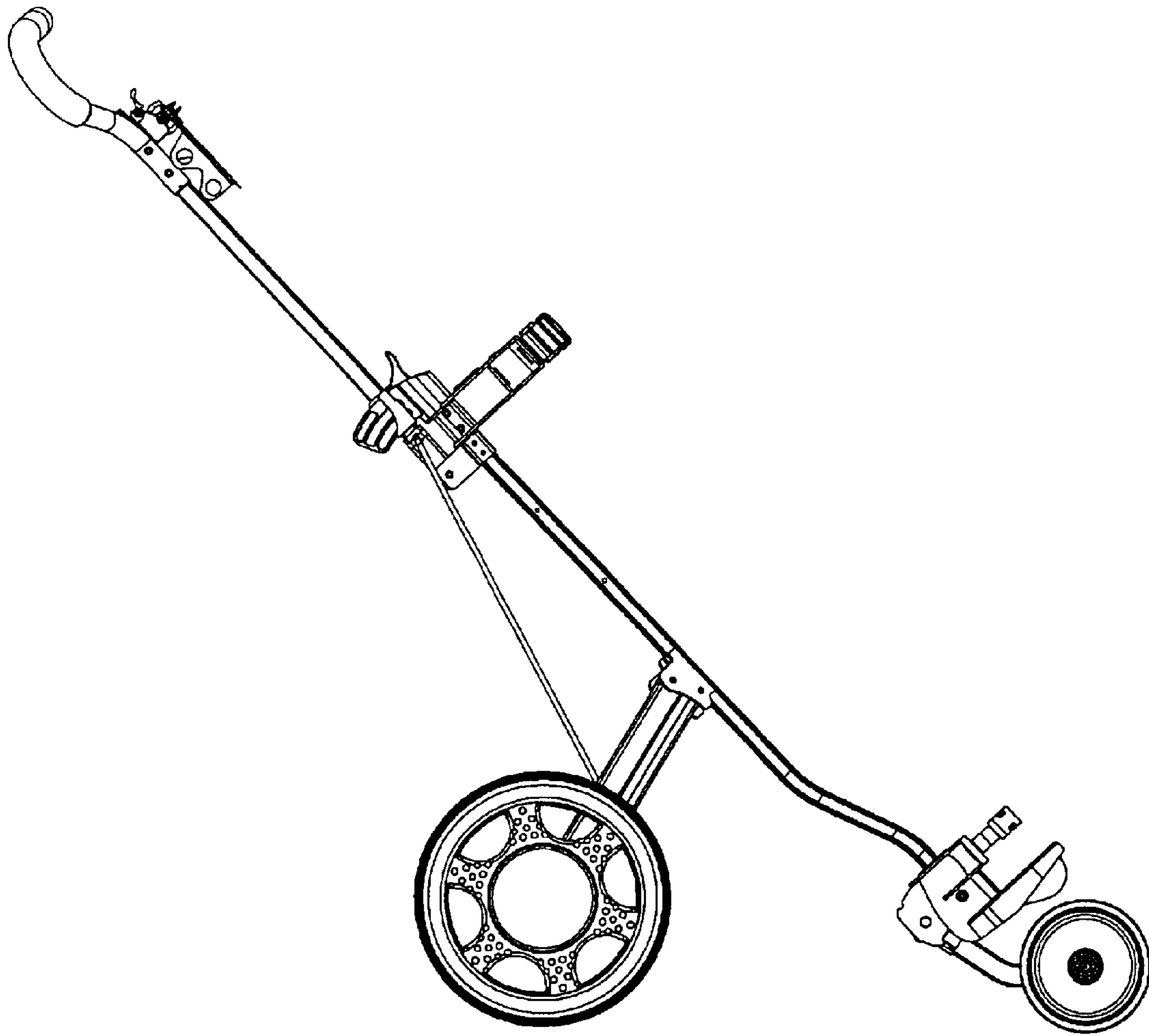


FIG. 4

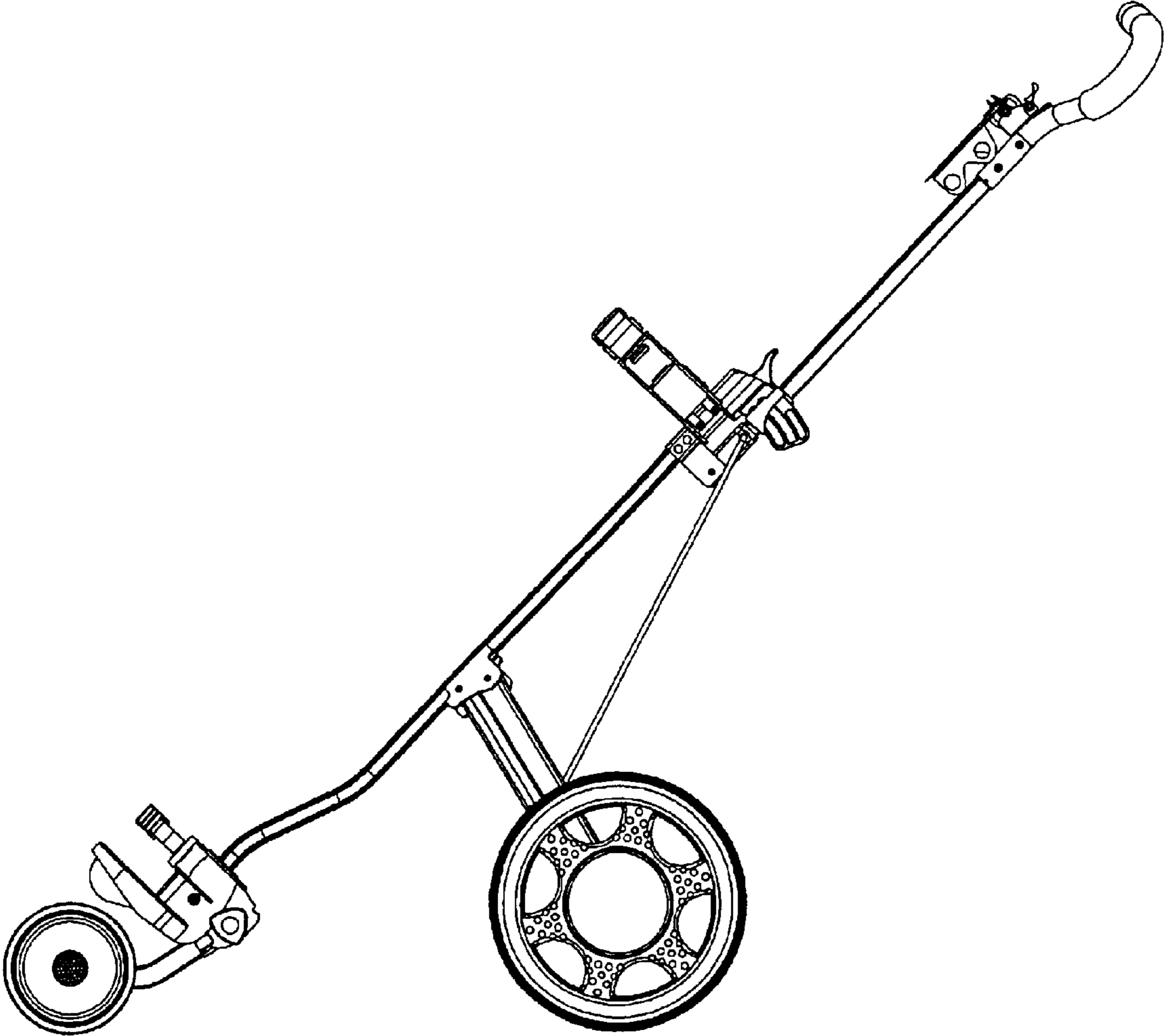


FIG. 5

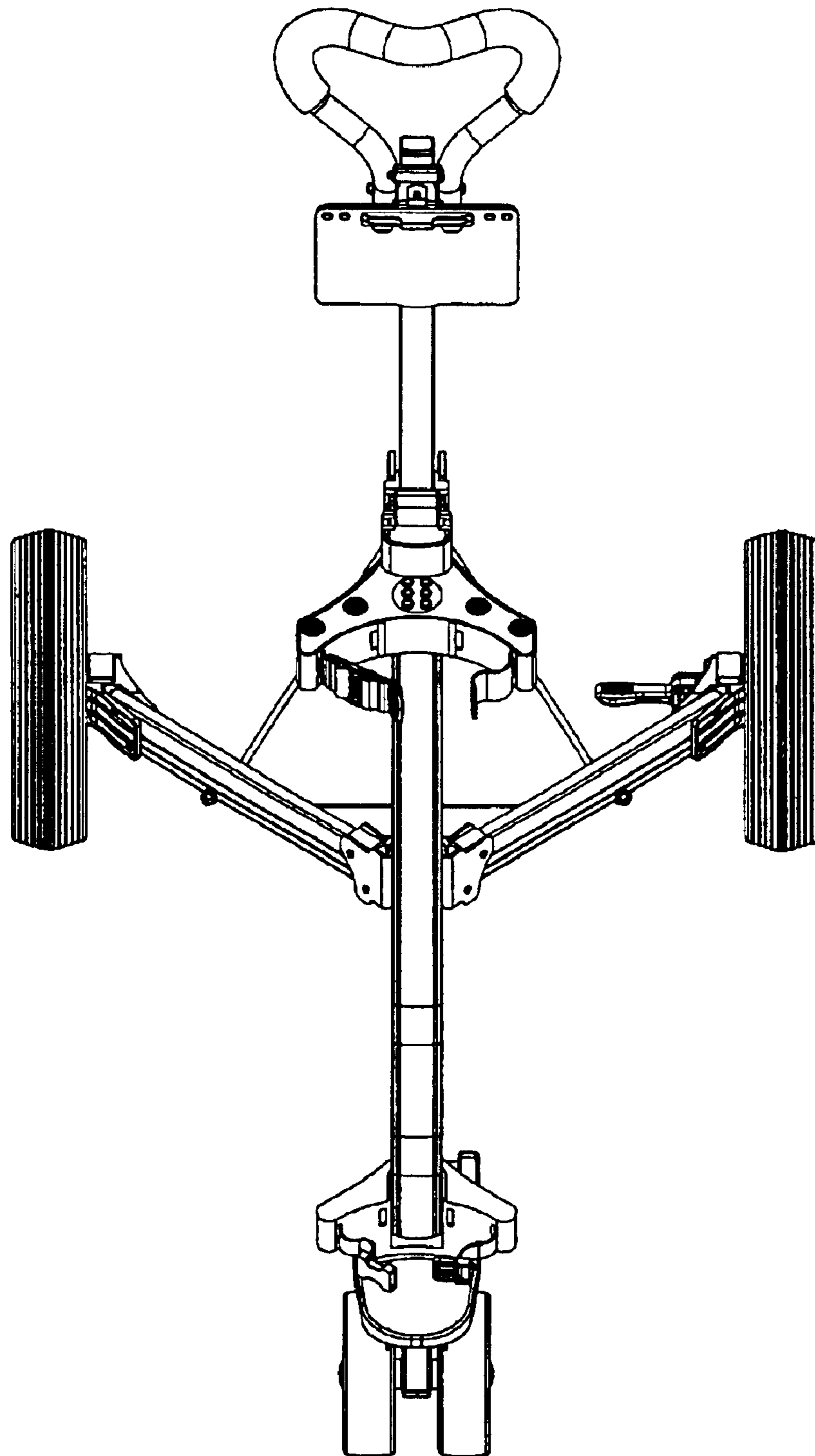


FIG. 6

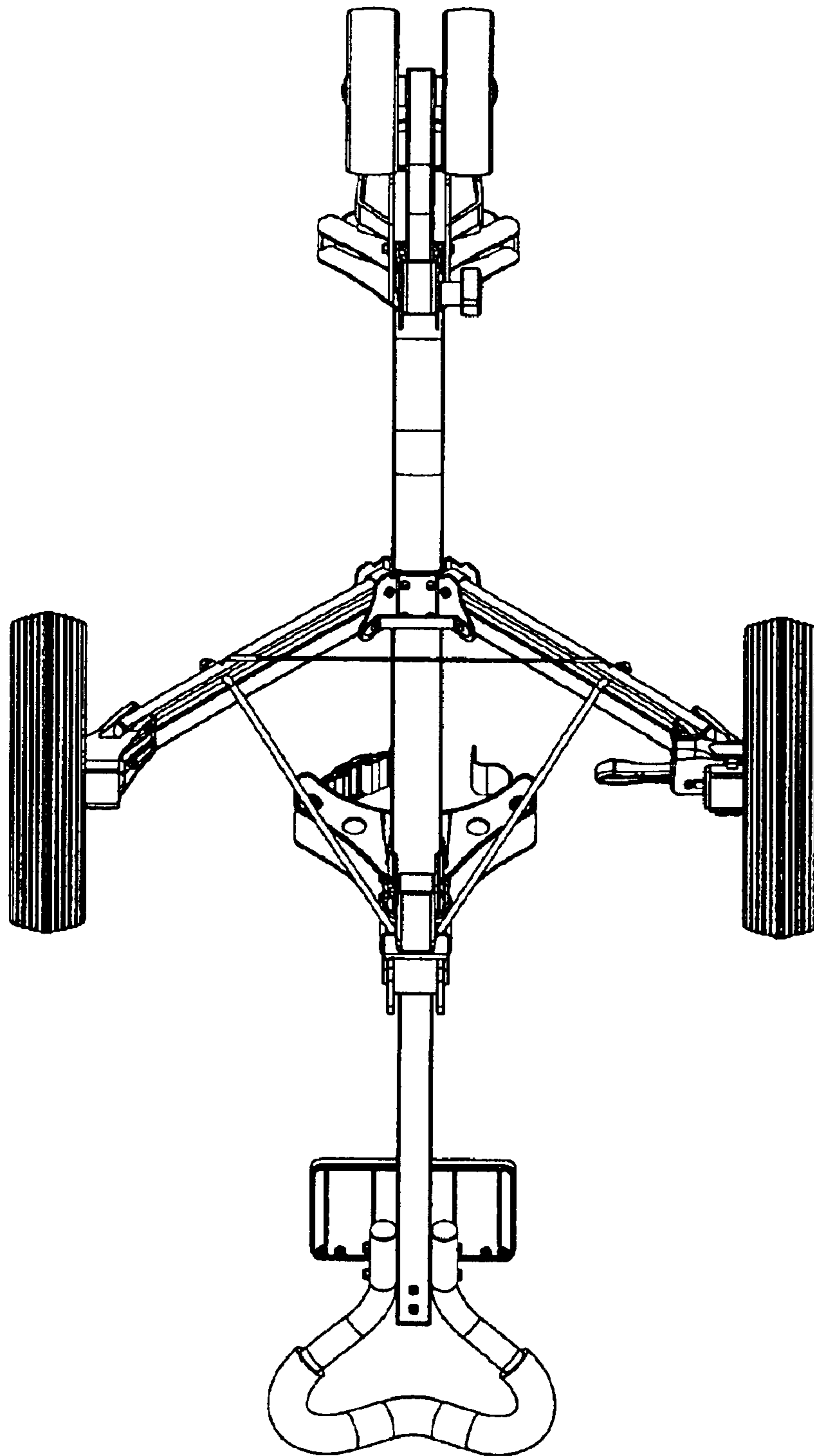


FIG. 7

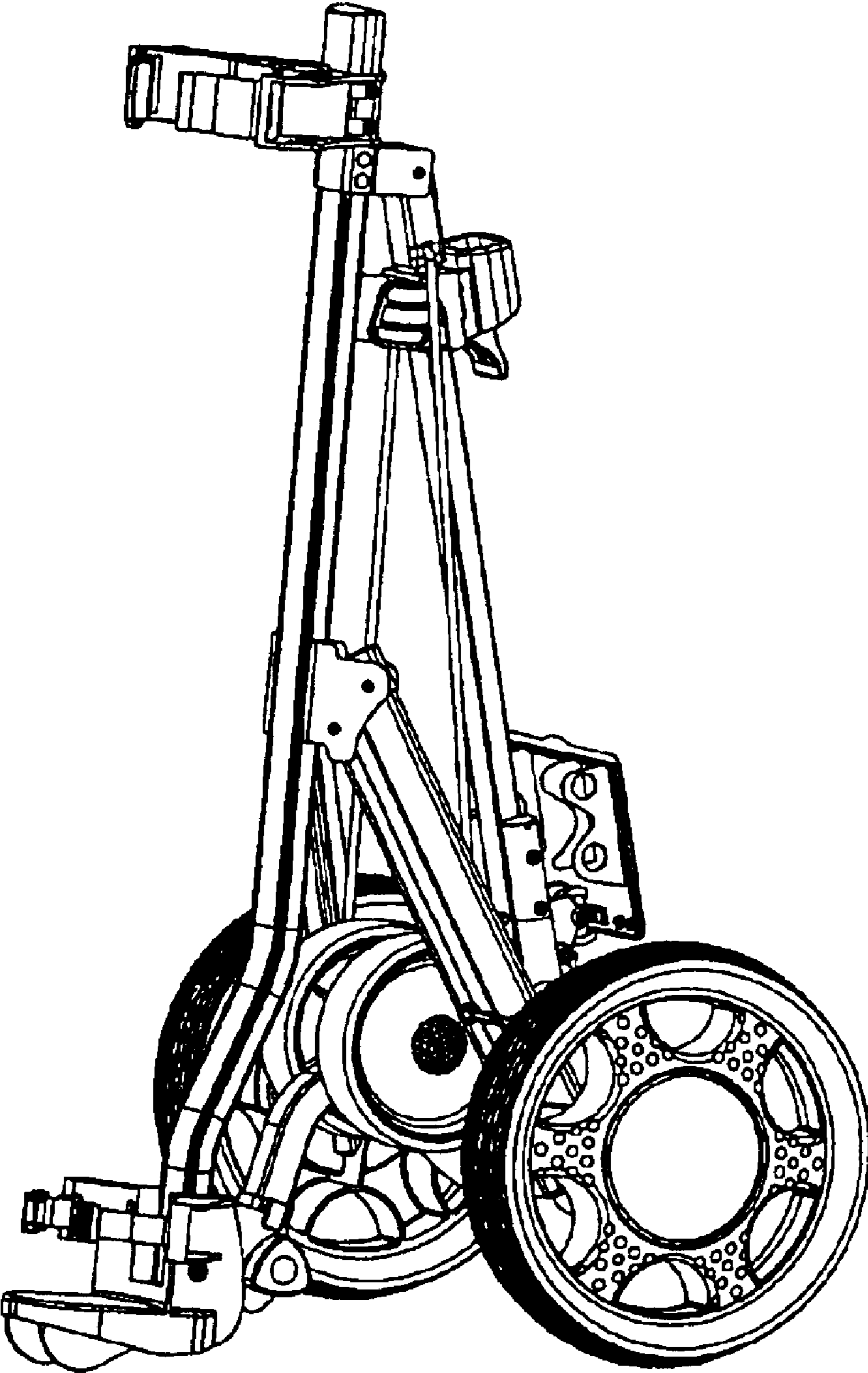


FIG. 8