

US00D493016S1

(12) **United States Design Patent**  
**Kaczmarek**

(10) **Patent No.:** **US D493,016 S**  
(45) **Date of Patent:** **\*\* Jul. 13, 2004**

(54) **DISHWASHER**

(75) **Inventor:** **Wolfgang Kaczmarek**, Schwindegg  
(DE)

(73) **Assignee:** **BSH Bosch und Siemens Hausgerate  
GmbH**, Munich (DE)

(\*\*) **Term:** **14 Years**

(21) **Appl. No.:** **29/182,956**

(22) **Filed:** **Jun. 4, 2003**

(30) **Foreign Application Priority Data**

Dec. 4, 2002 (DE) ..... 4 02 10 179

(51) **LOC (7) Cl.** ..... **15-05**

(52) **U.S. Cl.** ..... **D32/3**

(58) **Field of Search** ..... D32/1-3, 5-6,  
D32/8, 25, 28; D7/340, 405, 348-351;  
68/212; 312/31, 228, 228.1, 204; 134/113,  
201, 57 D, 57 DL, 56 D, 58 D, 58 DL

(56) **References Cited**

**U.S. PATENT DOCUMENTS**

D320,487 S \* 10/1991 Marks et al. .... D32/3  
5,151,884 A \* 9/1992 Griffith et al. .... 134/57 D  
5,365,959 A \* 11/1994 Favaro ..... 312/228  
D468,579 S \* 1/2003 Sakai et al. .... D7/351  
D477,177 S \* 7/2003 Jeong ..... D7/340

\* cited by examiner

*Primary Examiner*—Louis S. Zarfaz

*Assistant Examiner*—Robert A Delehanty

(74) *Attorney, Agent, or Firm*—Laurence A. Greenberg;  
Werner H. Stemer; Gregory L. Mayback

(57) **CLAIM**

The ornamental design for a dishwasher, as shown and described.

**DESCRIPTION**

FIG. 1 is a front perspective view of the dishwasher;  
FIG. 2 is a left side view thereof, the right side view being  
a mirror image;

FIG. 3 is a front side view thereof;

FIG. 4 is a top view thereof;

FIG. 5 is a front perspective view thereof with the door  
partially open;

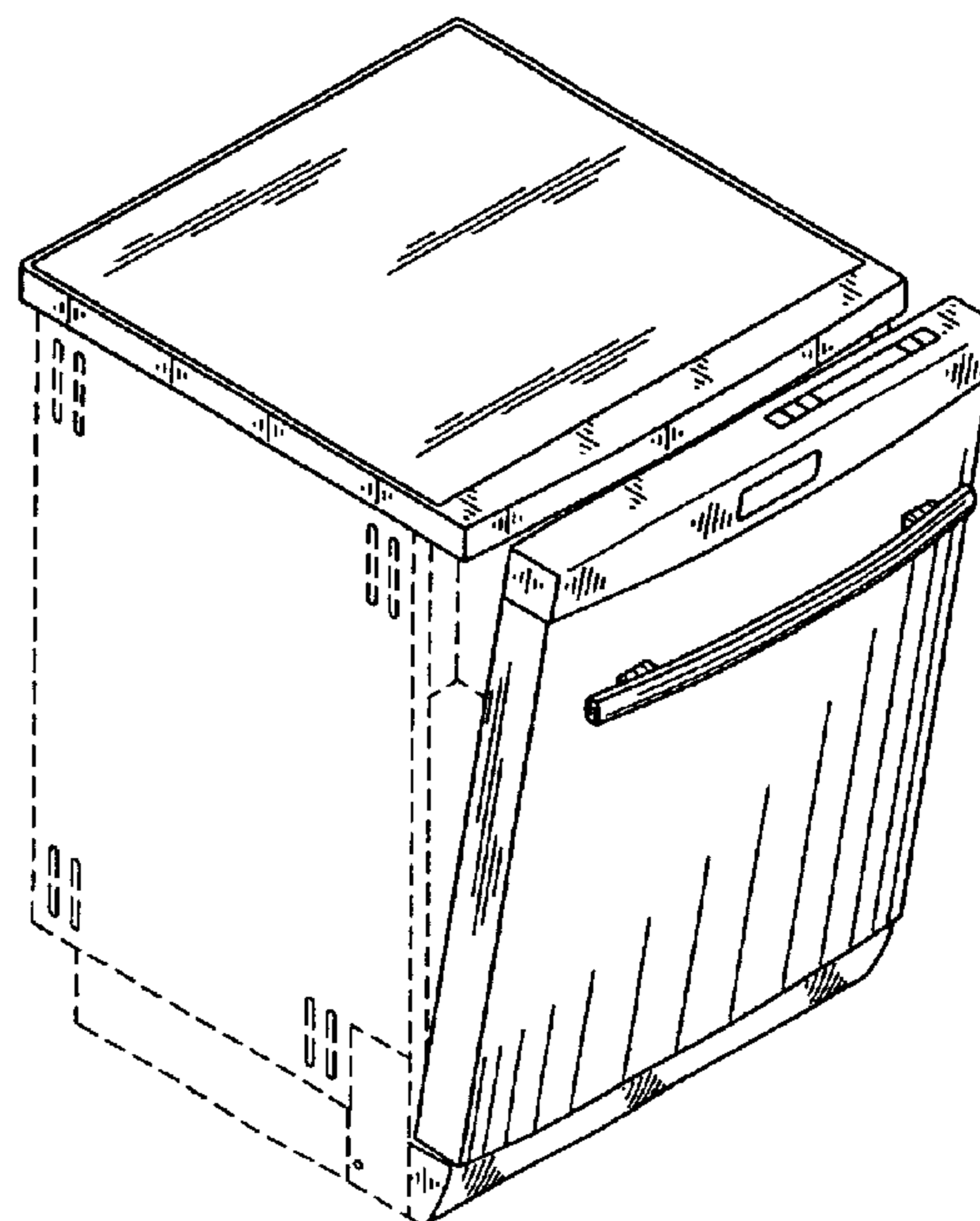
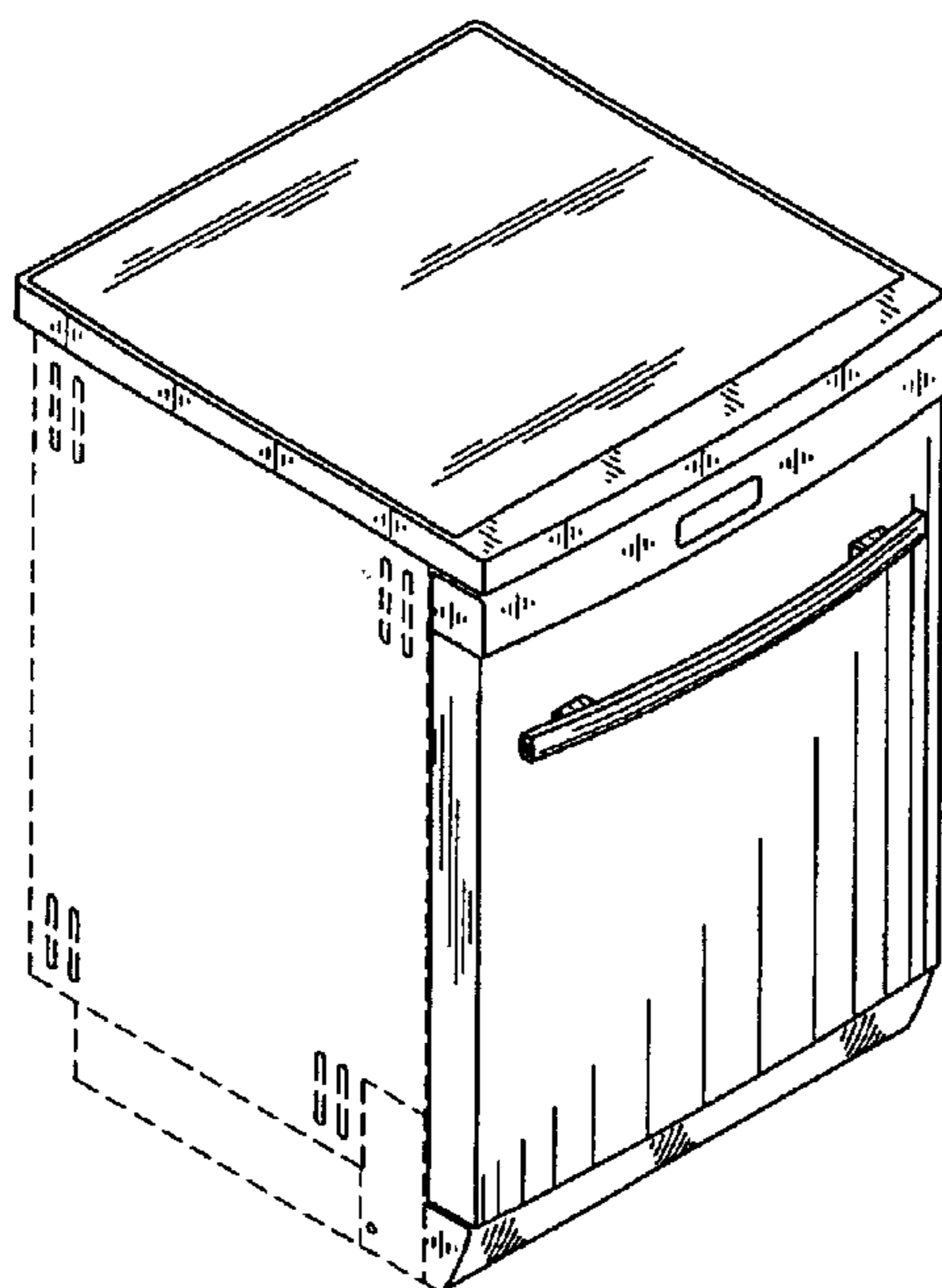
FIG. 6 is a left side view thereof with the door partially open,  
the right side view being a mirror image; and,

FIG. 7 is a top side view thereof with the door partially open.

The dishwasher includes a plain and unornamented rear and  
bottom, which are not shown.

The broken line showing of portions of the dishwasher is for  
illustrative purposes only and forms no part of the claimed  
design.

**1 Claim, 3 Drawing Sheets**



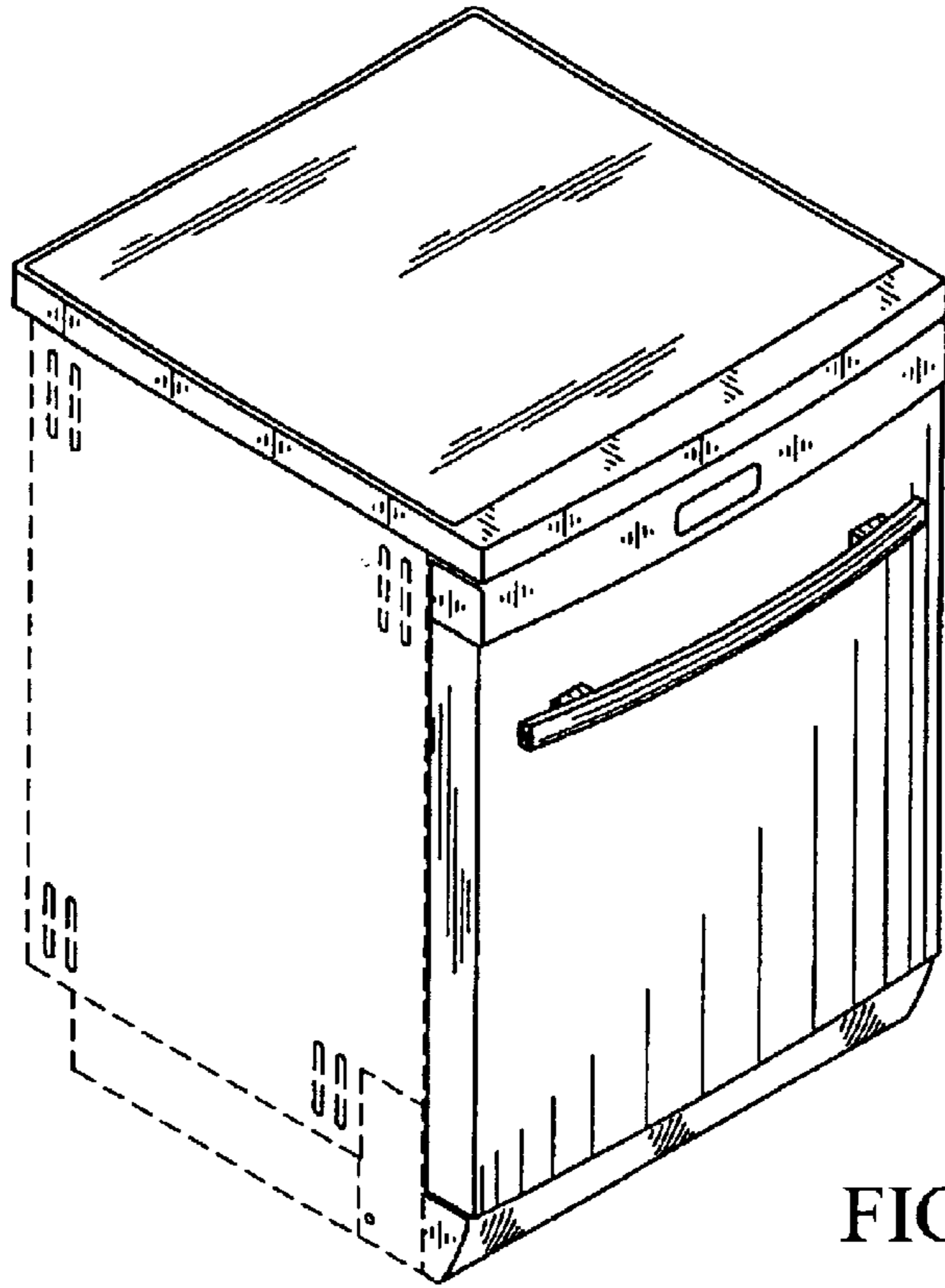


FIG. 1

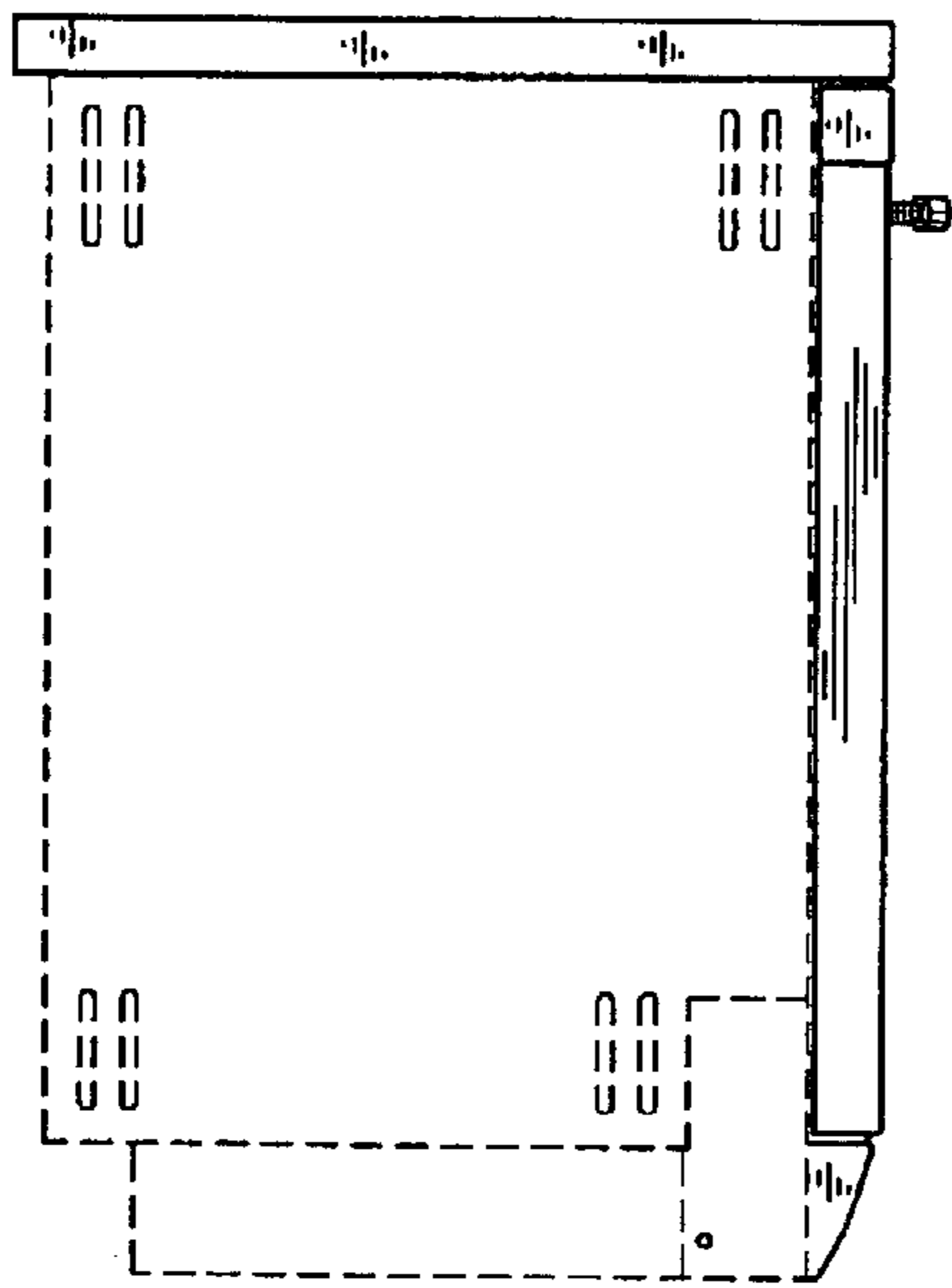


FIG. 2

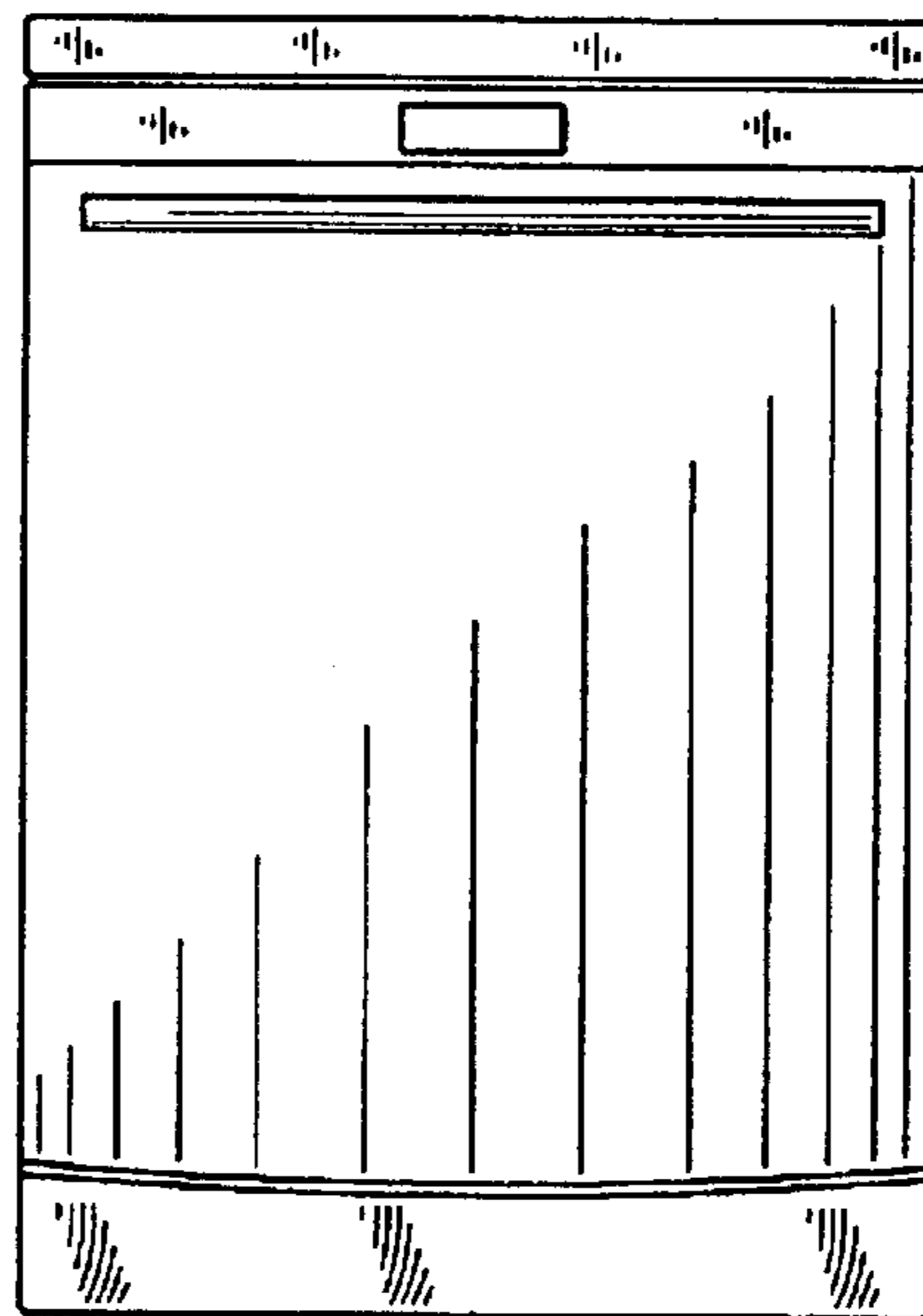


FIG. 3

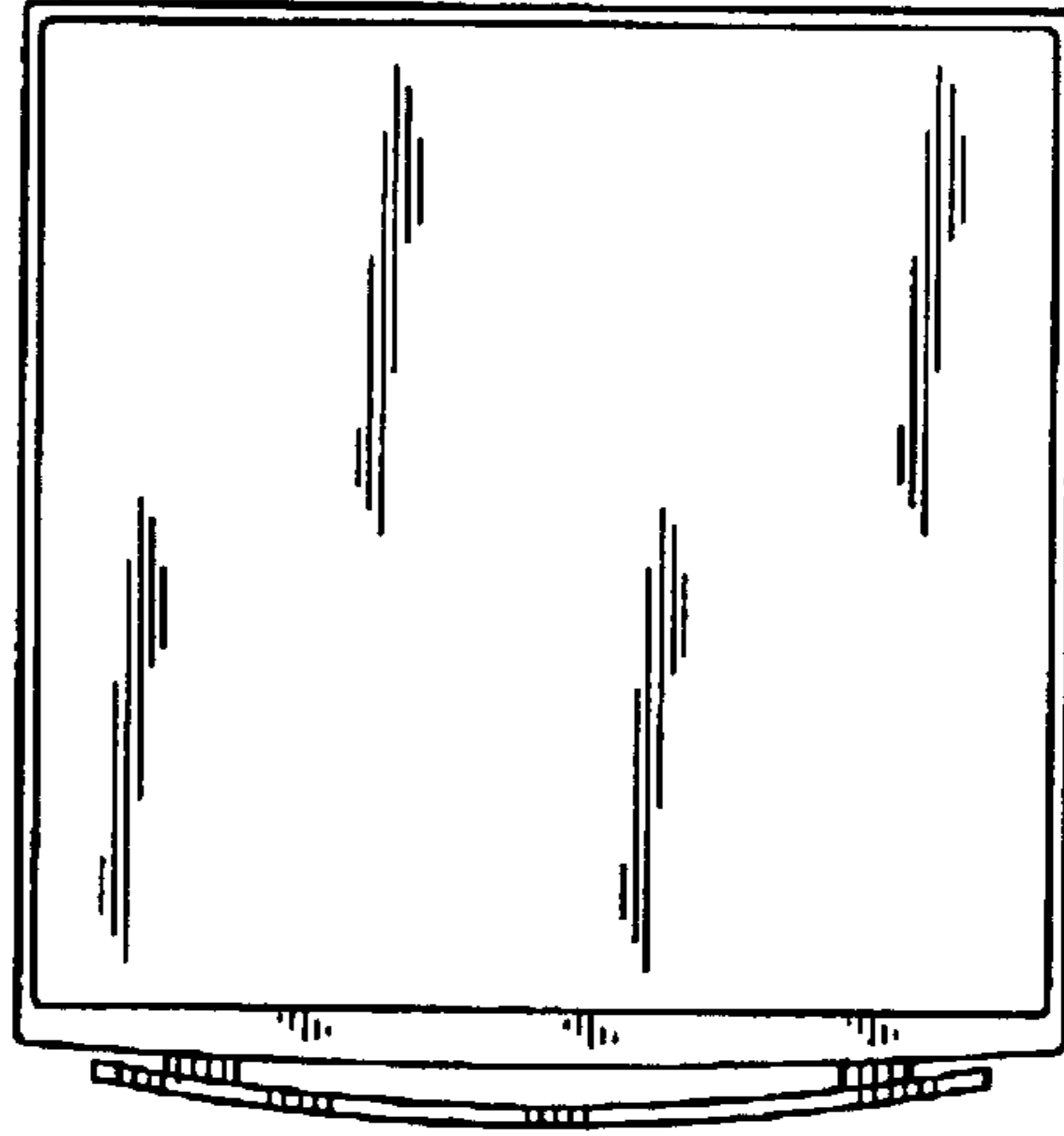


FIG. 4

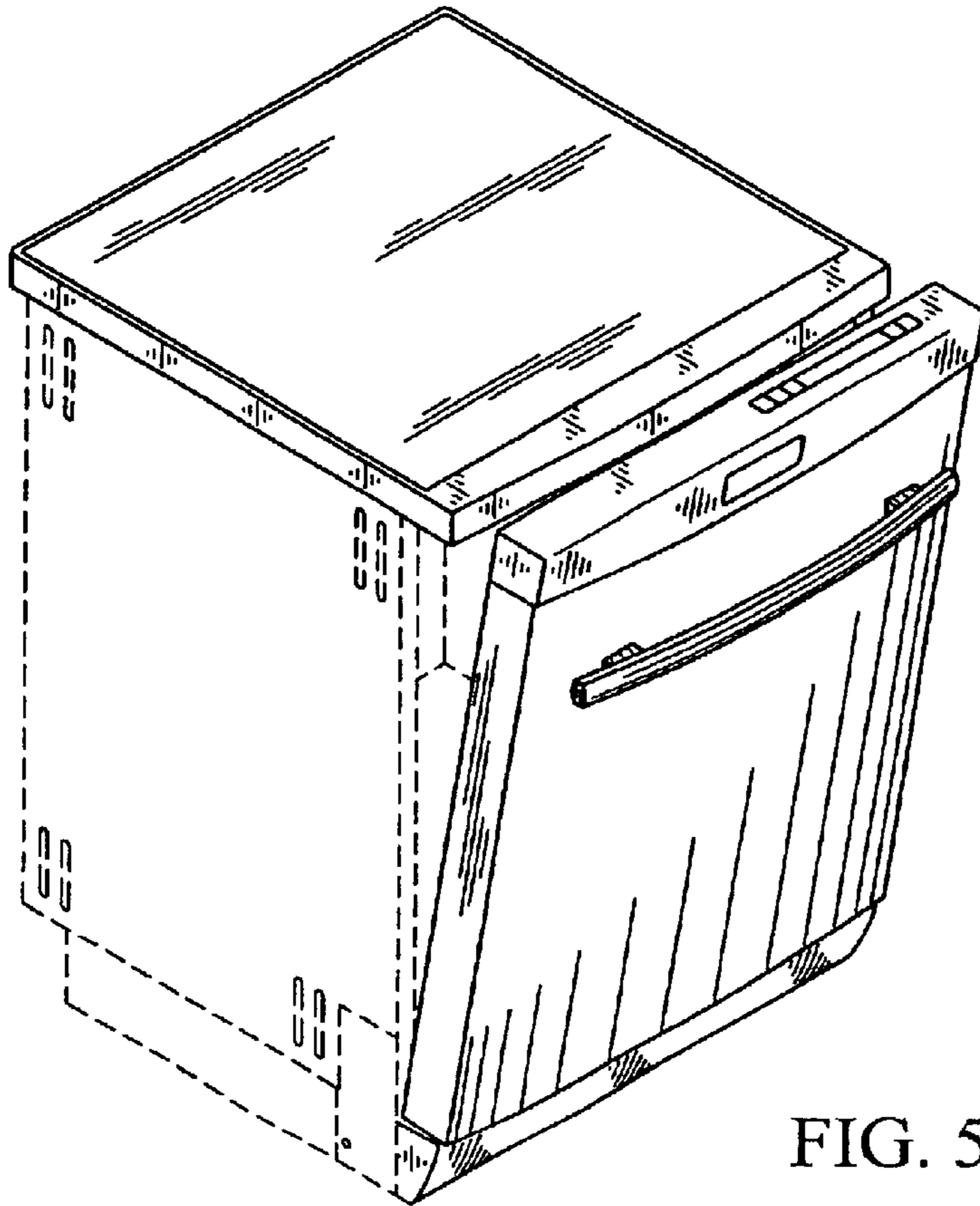


FIG. 5

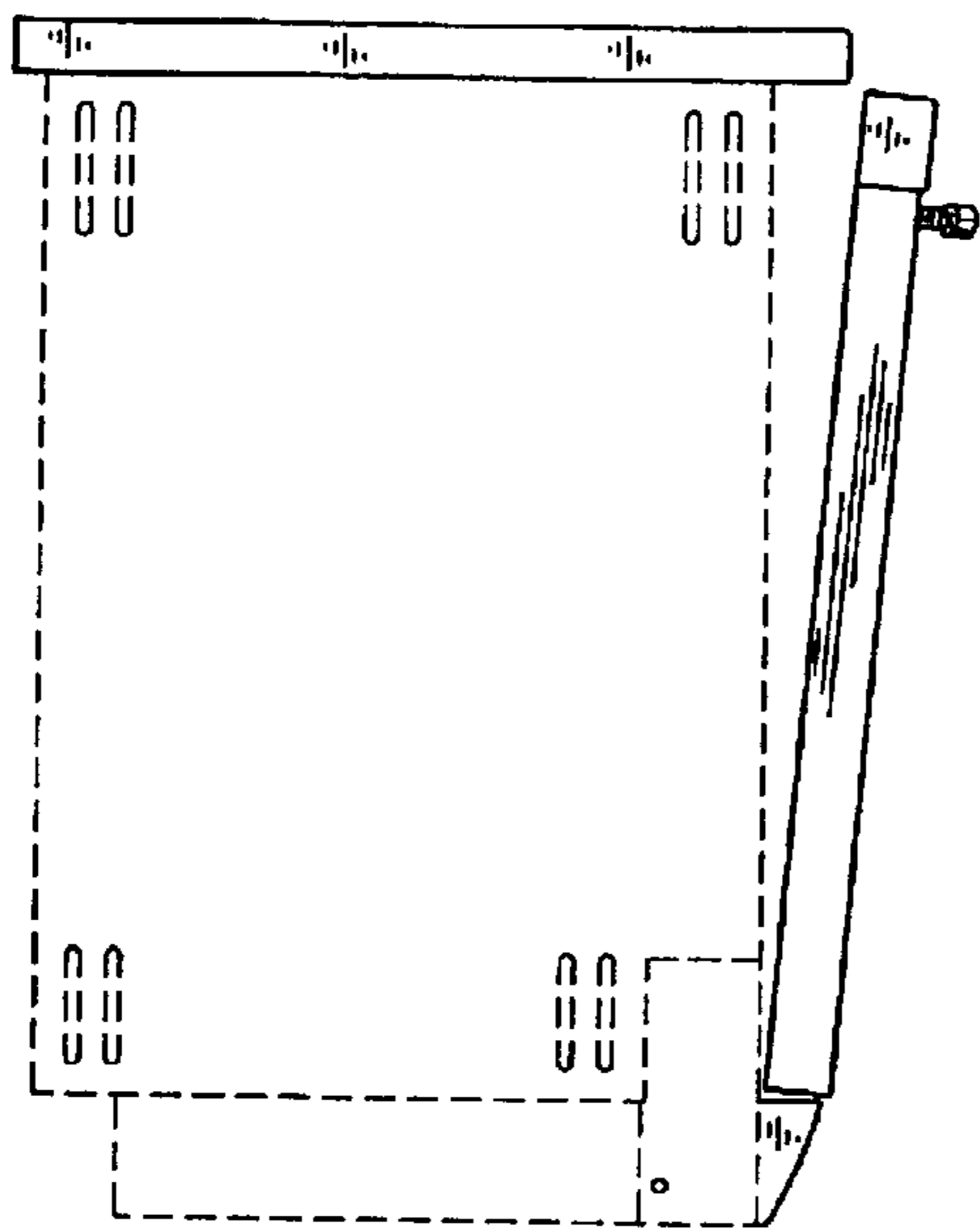


FIG. 6

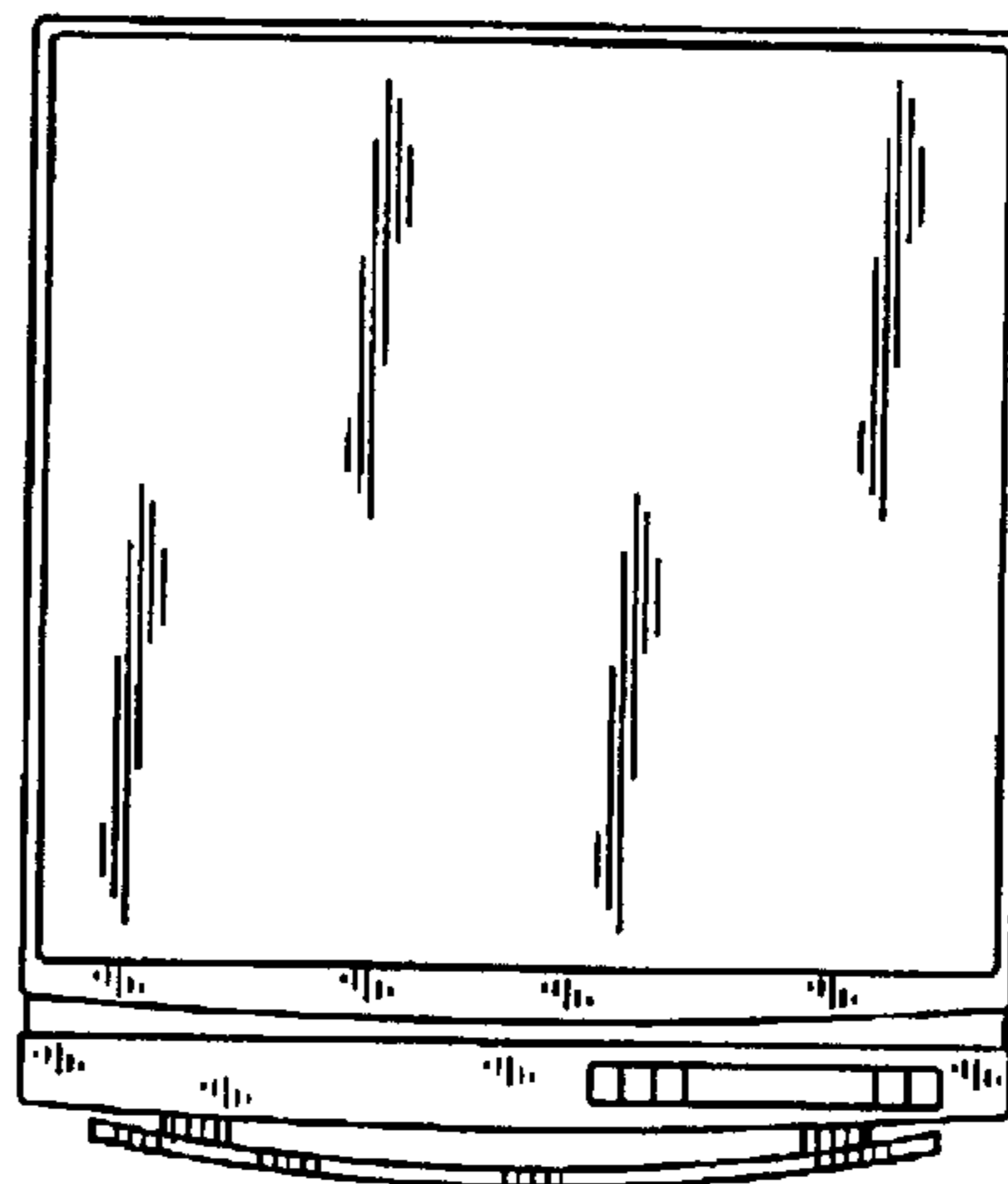


FIG. 7