

US00D493015S1

(12) **United States Design Patent**  
**Murai**

(10) **Patent No.:** **US D493,015 S**  
(45) **Date of Patent:** **\*\* Jul. 13, 2004**

(54) **PROTECT SHEET OF CATCHING SURFACE OF BASEBALL GLOVE**

(75) Inventor: **Hideaki Murai**, Osaka (JP)

(73) Assignee: **KSK Co., Ltd.**, Akune (JP)

(\*\*) Term: **14 Years**

(21) Appl. No.: **29/159,153**

(22) Filed: **Apr. 17, 2002**

(30) **Foreign Application Priority Data**

Feb. 1, 2002 (JP) ..... 2002-002323

(51) **LOC (7) Cl.** ..... **29-02**

(52) **U.S. Cl.** ..... **D29/123**

(58) **Field of Search** ..... D2/614-623; D29/113-118,  
D29/123; 2/16-17, 19-20, 159, 161.1, 161.2,  
161.5, 161.6, 161.8, 165, 167, 907, 910,  
917

(56) **References Cited**

**U.S. PATENT DOCUMENTS**

57,283	A	*	8/1866	Brown	.....	2/20	X
D264,395	S	*	5/1982	Sasaki	.....	D29/115	
4,339,830	A	*	7/1982	Sasaki	.....	2/19	
D310,279	S	*	8/1990	Bieger	.....	D29/113	
D381,470	S	*	7/1997	Nevado	.....	D29/123	
6,341,376	B1	*	1/2002	Smerdon, Jr.	.....	2/16	

\* cited by examiner

*Primary Examiner*—Louis S. Zarfes

*Assistant Examiner*—Robert A Delehanty

(74) *Attorney, Agent, or Firm*—Armstrong, Westerman & Hattori, LLP

(57) **CLAIM**

The ornamental design for a protect sheet of catching surface of baseball glove, as shown and described.

**DESCRIPTION**

FIG. 1 is a front view thereof;  
 FIG. 2 is a left side view thereof;  
 FIG. 3 is a right view thereof;  
 FIG. 4 is a plan view thereof;  
 FIG. 5 is a bottom view thereof;  
 FIG. 6 is a cross sectional view taken along line A—A of FIG. 1;  
 FIG. 7 is a perspective view of the protecting sheet of FIG. 1 in use with a surface sheet of an outer glove element shown in broken lines and forming no part of the claimed design; and,  
 FIG. 8 is a perspective view on a reduced scale of the use of the protecting sheet in condition of use with a baseball glove. The broken line showing of a baseball glove is for illustrative purposes only and forms no part of the claimed design.

**1 Claim, 5 Drawing Sheets**

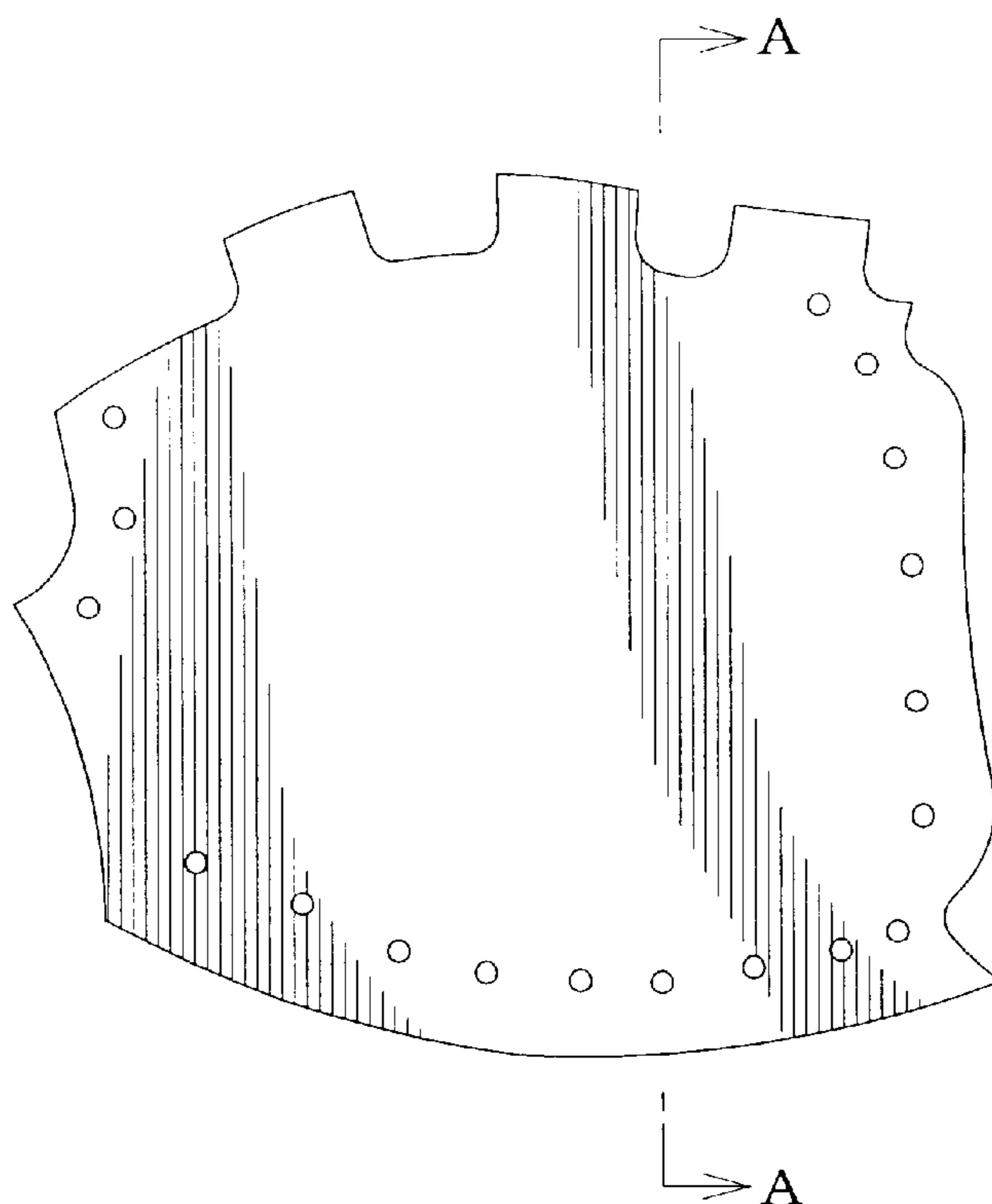


Fig. 1

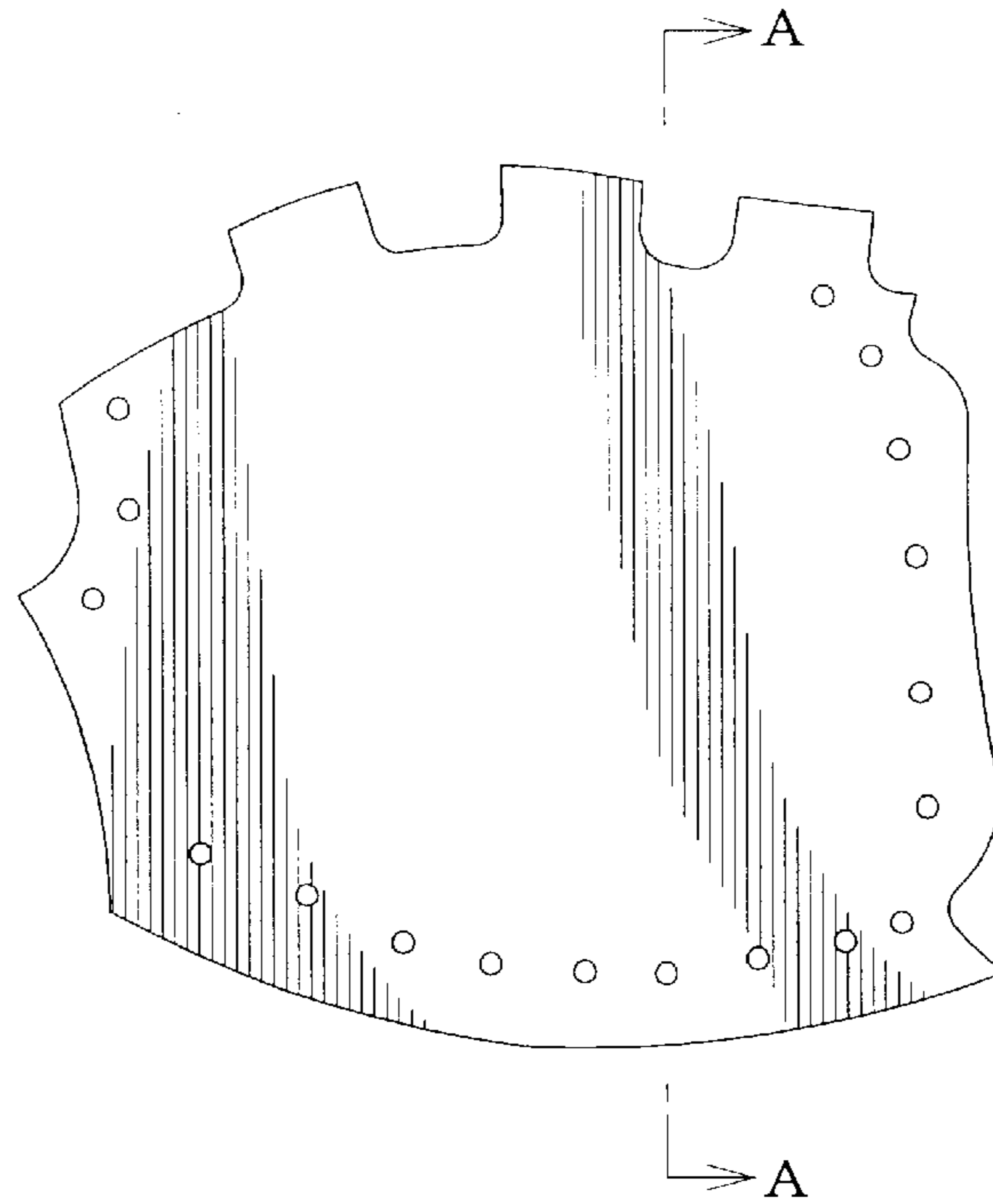


Fig. 2

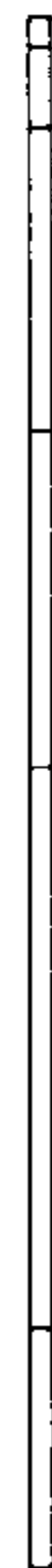


Fig. 3



Fig. 4

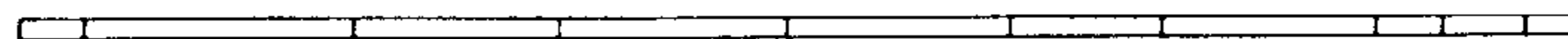


Fig. 5

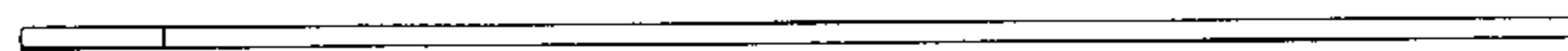


Fig. 6



Fig. 7

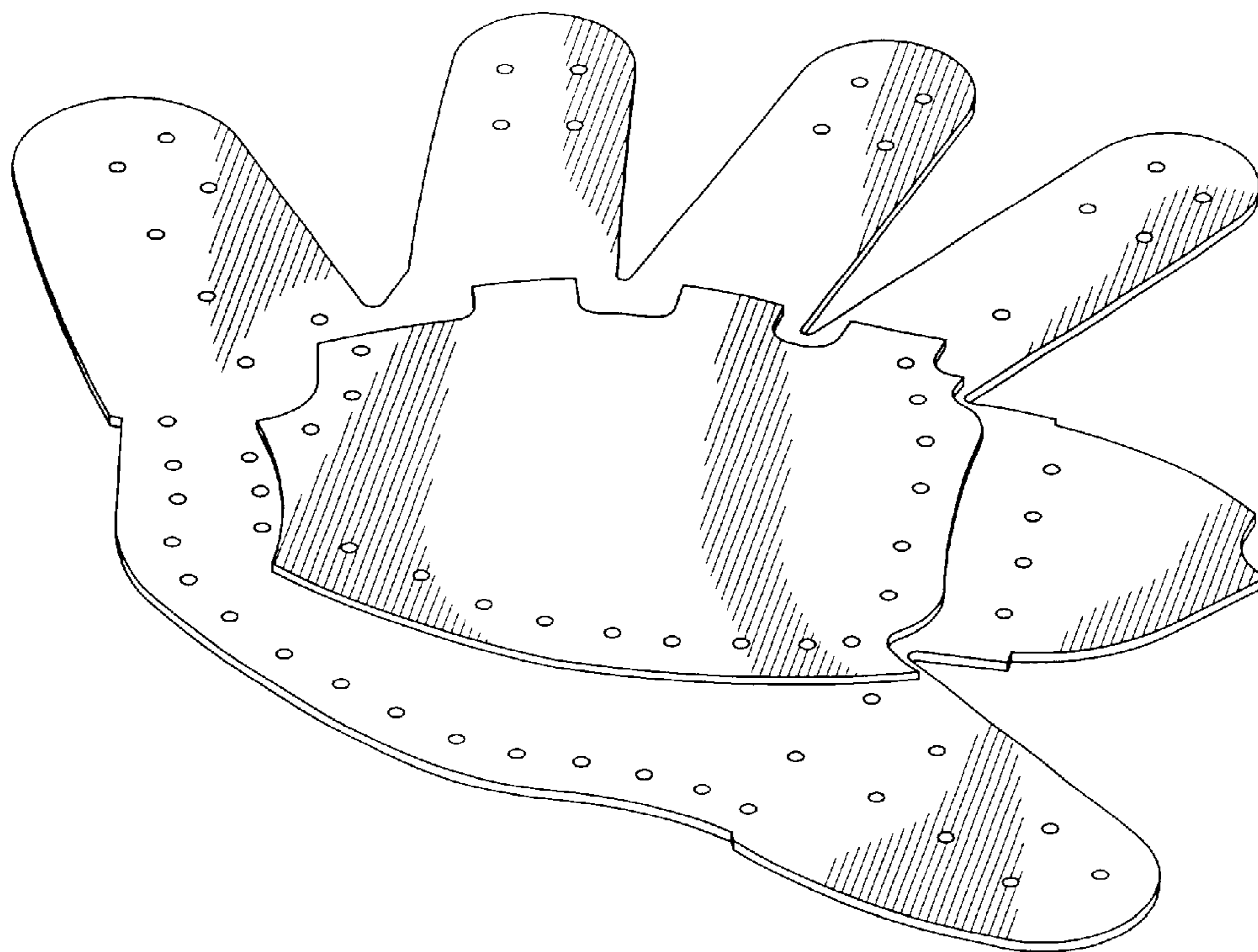


Fig. 8

