

US00D493012S1

(12) **United States Design Patent**
Rich

(10) **Patent No.: US D493,012 S**

(45) **Date of Patent: ** Jul. 13, 2004**

(54) **CIGAR HOLDER**

D406,386 S * 3/1999 Kuniandy et al. D27/183

(76) Inventor: **Robert L. Rich**, 17050 Woodruff Ave.,
Bellflower, CA (US) 90706

* cited by examiner

(**) Term: **14 Years**

Primary Examiner—Jennifer Rivard

(74) *Attorney, Agent, or Firm*—Chris Papageorge

(21) Appl. No.: **29/194,224**

(57) **CLAIM**

(22) Filed: **Nov. 21, 2003**

I claim the ornamental design for a cigar holder, as shown and described.

(51) **LOC (7) Cl.** **27-06**

DESCRIPTION

(52) **U.S. Cl.** **D27/183**

(58) **Field of Search** D27/172, 183;
131/257, 258

FIG. 1 is a top, front perspective view of a cigar holder showing my new design.

FIG. 2 is a front plan view thereof.

FIG. 3 is a rear plan view thereof.

FIG. 4 is a left side elevational view thereof.

FIG. 5 is a right side elevational view thereof.

FIG. 6 is a top plan view thereof; and,

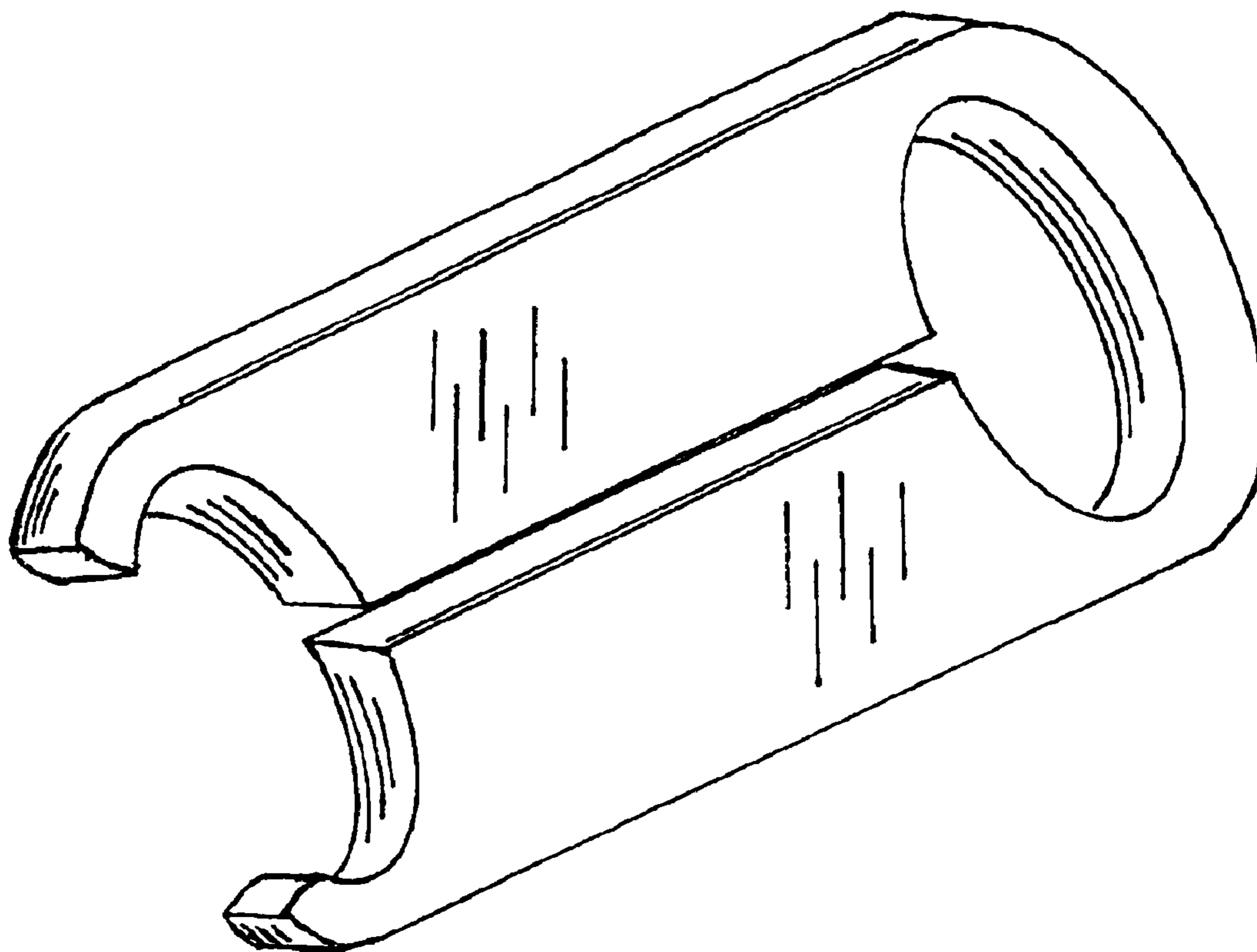
FIG. 7 is a bottom plan view thereof.

(56) **References Cited**

U.S. PATENT DOCUMENTS

D11,877 S	*	7/1880	Kurczyn	D27/183
D27,375 S	*	7/1897	Girard	D27/183
D118,735 S	*	1/1940	Feigel	D27/183
D401,379 S	*	11/1998	Goldoftas	D27/183

1 Claim, 3 Drawing Sheets



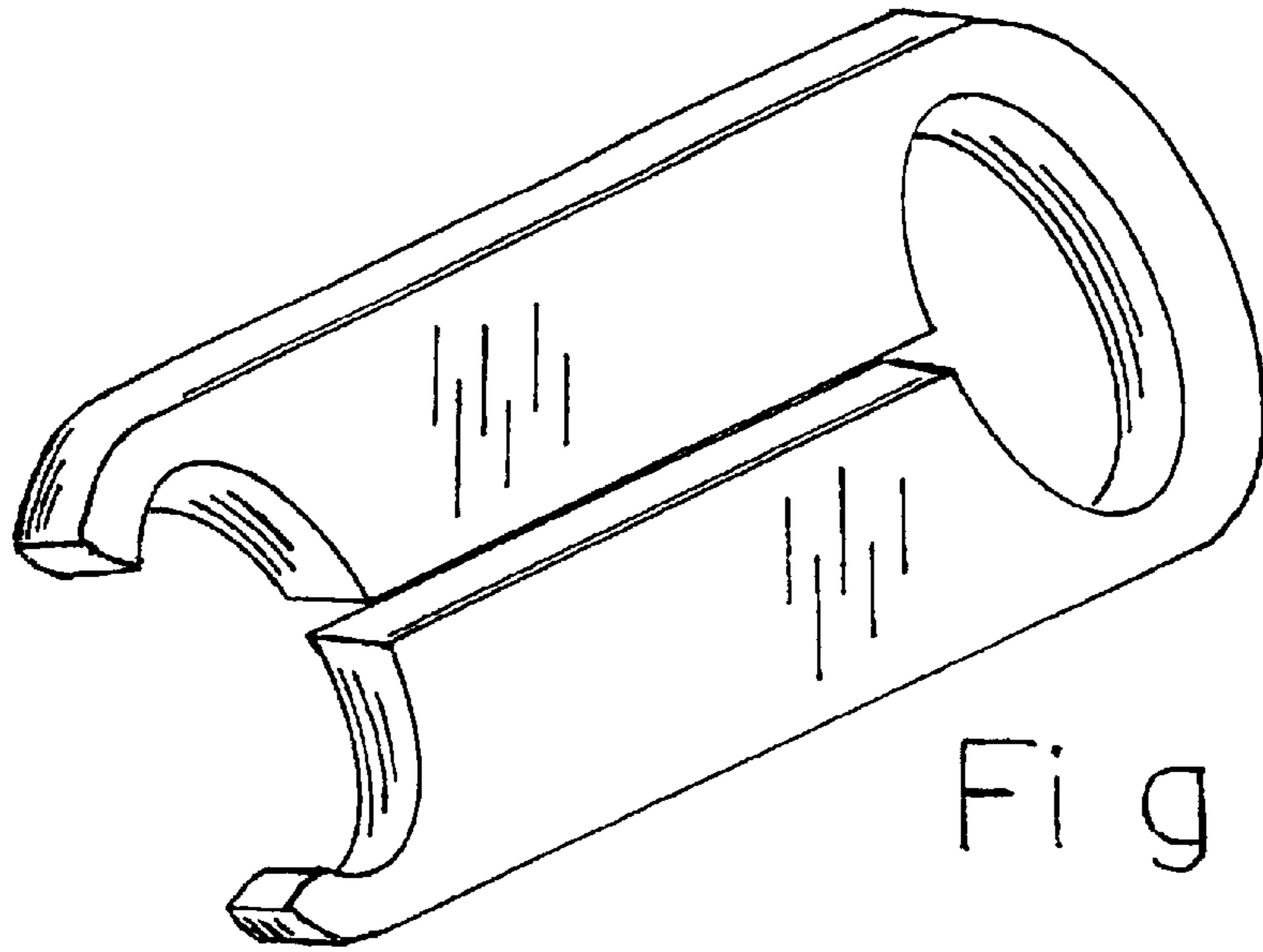


Fig 1

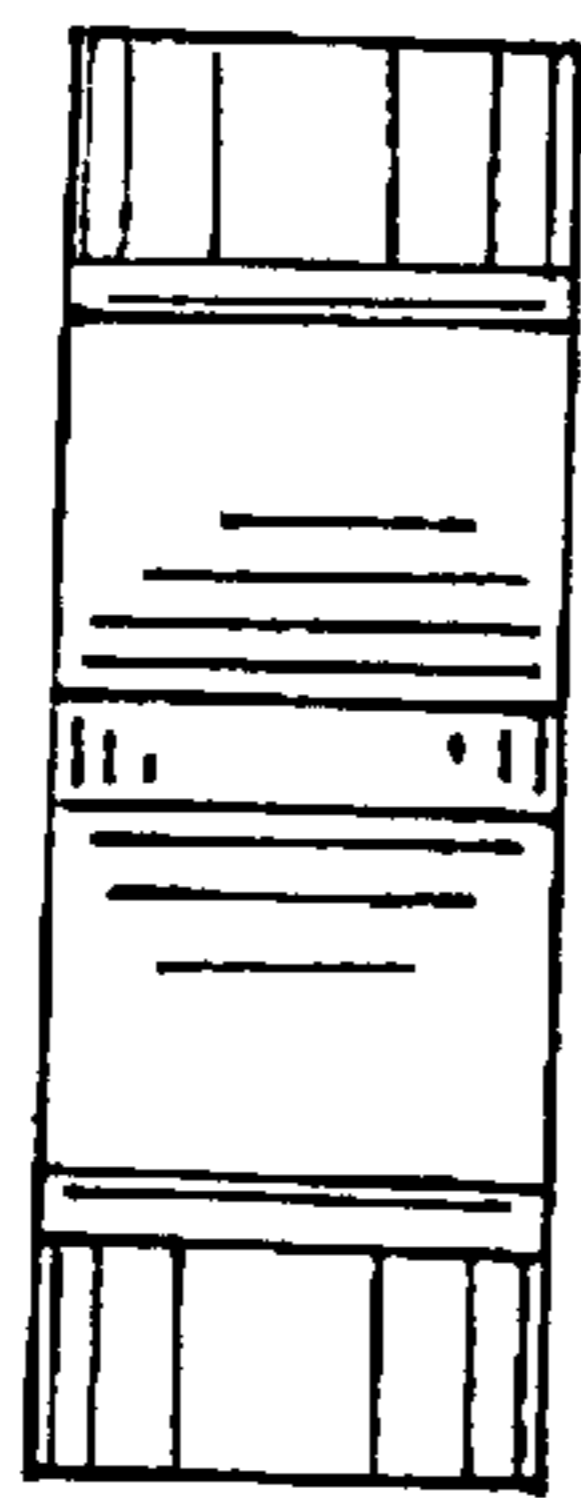


Fig. 2

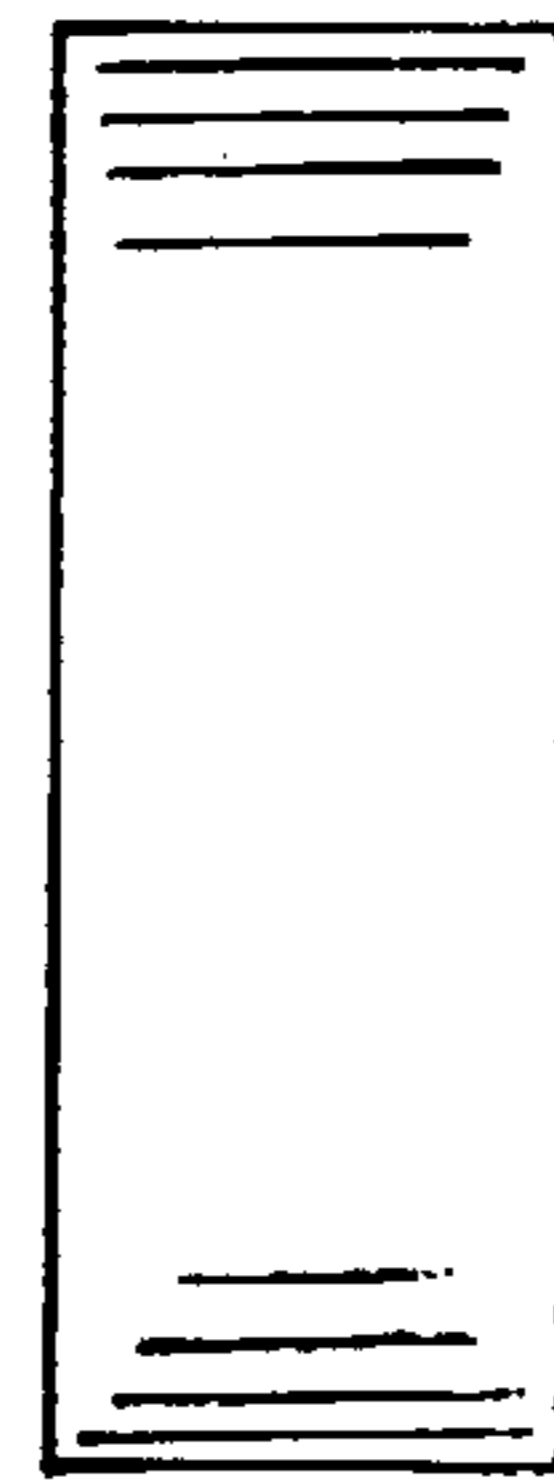


Fig. 3

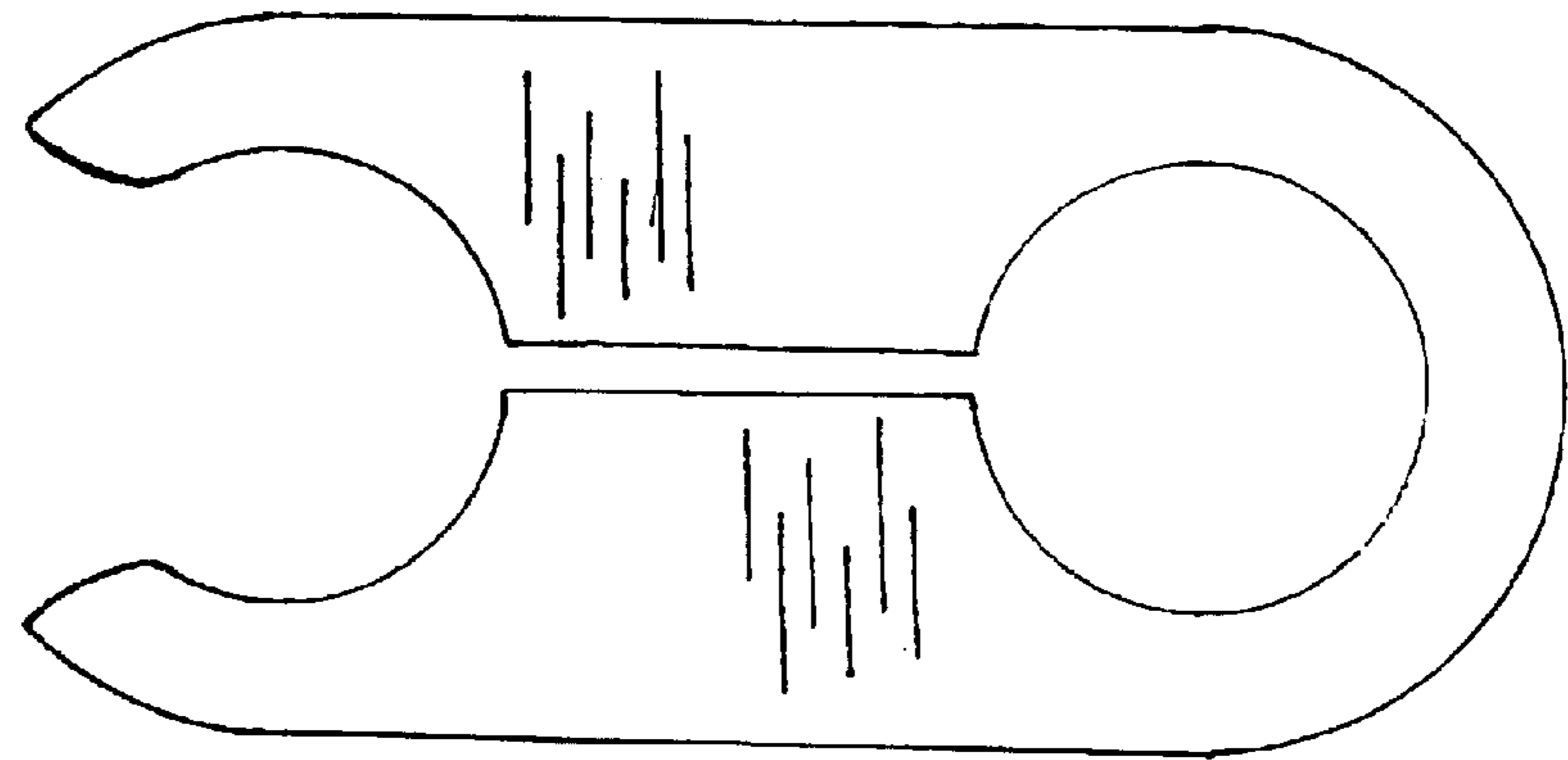


Fig. 4

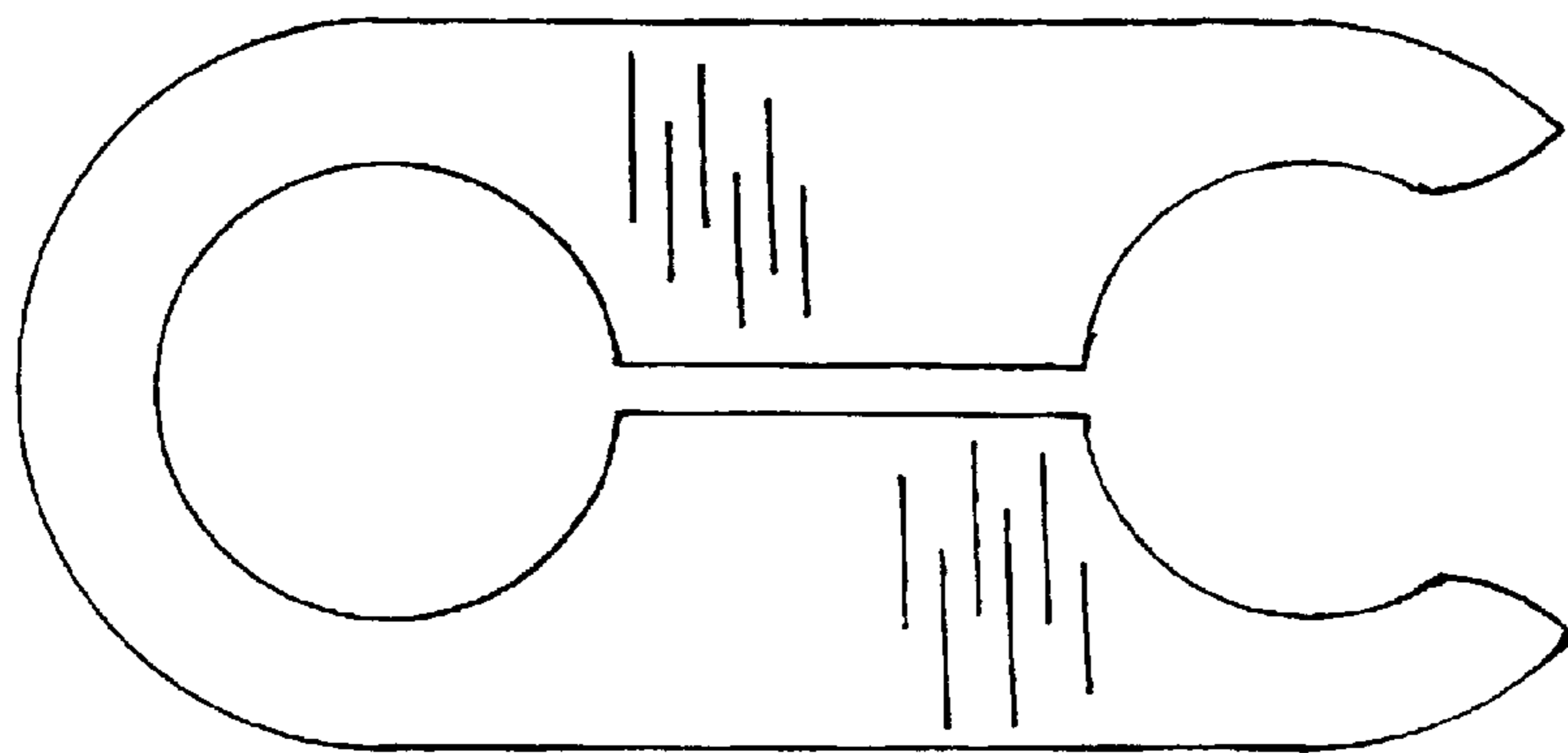


Fig. 5

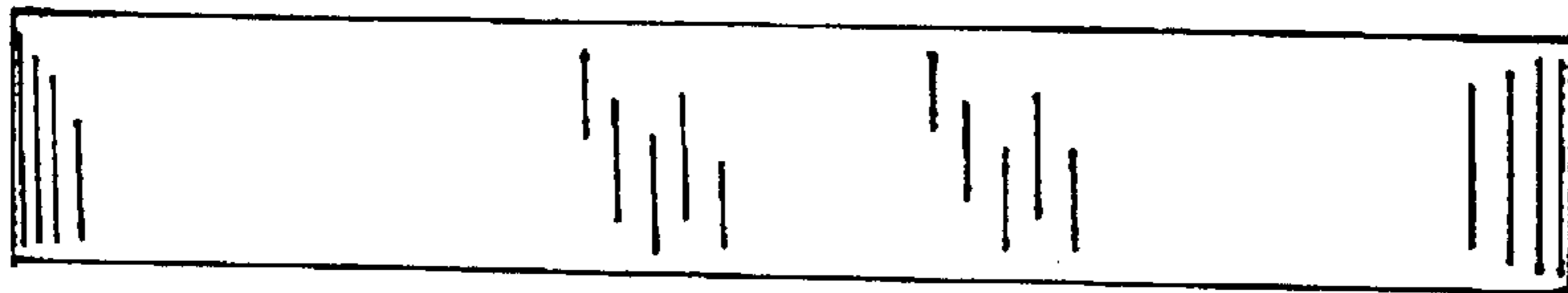


Fig. 6

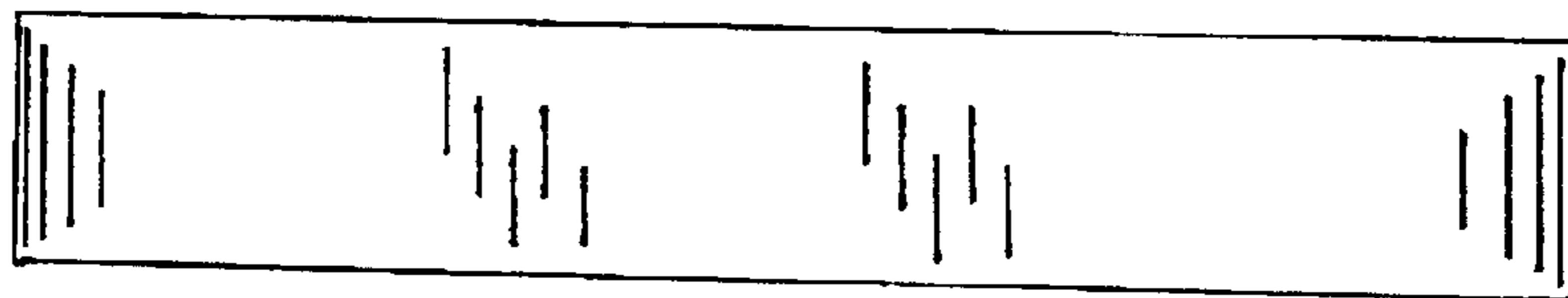


Fig. 7