



US00D493011S1

(12) **United States Design Patent** (10) **Patent No.:** **US D493,011 S**
Foote (45) **Date of Patent:** **** Jul. 13, 2004**

(54) **SMOKING ACCESSORY**

(76) Inventor: **Russell L. Foote**, 233 W. Chantilly Way, Mustang, OK (US) 73064-3919

(**) Term: **14 Years**

(21) Appl. No.: **29/191,397**

(22) Filed: **Oct. 7, 2003**

(51) **LOC (7) Cl.** **27-03**

(52) **U.S. Cl.** **D27/104; D27/135**

(58) **Field of Search** D27/102, 103, D27/104, 105, 135, 138; 131/231, 235.1, 240.1, 241, 242, 257

(56) **References Cited**

U.S. PATENT DOCUMENTS

D76,302 S	9/1928	Hubbard
D81,031 S	4/1930	Thompson
D82,033 S	9/1930	Kershaw

(List continued on next page.)

FOREIGN PATENT DOCUMENTS

FR	968960	12/1950
FR	982560	6/1951

OTHER PUBLICATIONS

Item 49: Photographs (attached) of "The 2 in 1 Extinguisher" cigarette extinguisher marketed by TNT Marketing Inc. of Springlake, Michigan. This product was publicly available prior to the filing date of this application.*

Item 50: Photographs (attached) of "Bobken" cigarette extinguisher marketed by Sanco Products, Inc. of Oklahoma City, Oklahoma. This product was publicly available prior to the filing date of this application.*

Item 51: Photographs (attached) of "Bobken II" cigarette extinguisher marketed by Sanco Products, Inc. of Oklahoma City, Oklahoma. This product was publicly available prior to the filing date of this application.*

Item 52: Photographs (attached) of "Butt Bucket" cigarette extinguisher marketed by Barjan Products of East Moline, Illinois. This Product was publicly available prior to the filing date of this application.*

Item 53: Photographs (attached) of a cigarette extinguisher marketed by Sanco Products, Inc. of Oklahoma City, Oklahoma. This product was publicly available prior to the filing date of this application.*

Item 54: Photographs (attached) of "Butt-In" sold by Dunia Enterprises of Detroit, Michigan. This product was publicly available prior to the filing date of this application.*

Sanco Products, Inc., "Cigar Bobken" advertising flier, published by author prior to the filing date of the above referenced application in Oklahoma City, Oklahoma, U.S.A.

Primary Examiner—Jennifer Rivard

(74) *Attorney, Agent, or Firm*—Mary M. Lee

(57) **CLAIM**

The ornamental design for a smoking accessory, as shown.

DESCRIPTION

FIG. 1 is a rear perspective view of a smoking accessory, showing a my new design;

FIG. 2 is a side elevational view of a smoking accessory, showing my new design, the opposite side being a mirror image thereof;

FIG. 3 is a rear elevational view thereof;

FIG. 4 is a plan view thereof;

FIG. 5 is a bottom elevational view thereof;

FIG. 6 is a front elevational view thereof;

FIG. 7 is a front perspective view of the handle of the smoking accessory apart from the body.

FIG. 8 is a plan view thereof;

FIG. 9 is a bottom elevational view thereof;

FIG. 10 is a rear elevational view thereof;

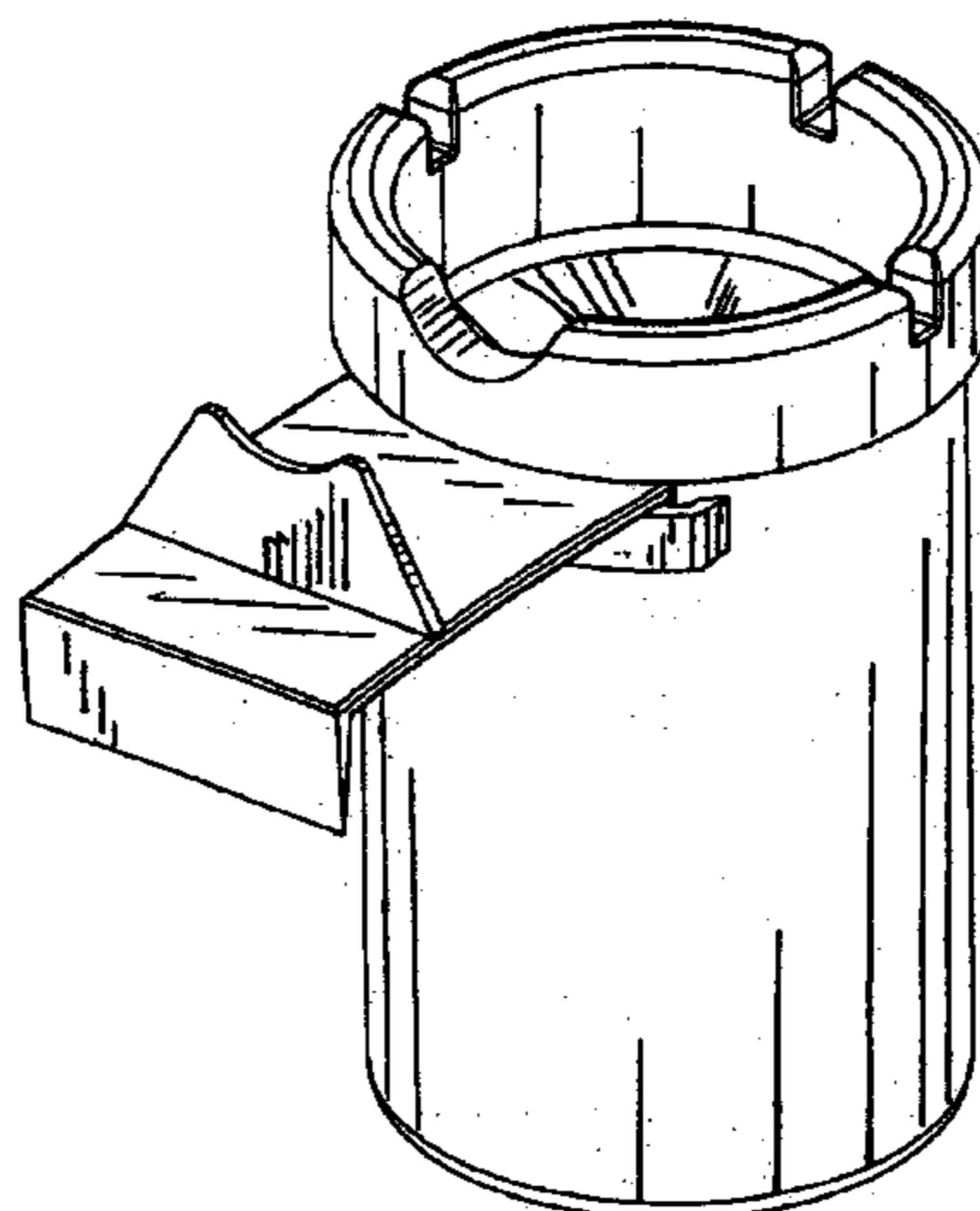
FIG. 11 is side elevational view thereof, the opposite side being a mirror image thereof;

FIG. 12 is a front elevational view thereof; and,

FIG. 13 is a rear perspective view thereof.

The handle and the body of the smoking accessory are shown separately for convenience of illustration.

1 Claim, 4 Drawing Sheets



US D493,011 S

Page 2

U.S. PATENT DOCUMENTS

1,805,016 A	5/1931	Schwartz		4,142,537 A	3/1979	Fenelon
1,870,327 A	8/1932	Endsley		D256,279 S	8/1980	Huggins
D107,873 S	1/1938	Kelly		D258,468 S	3/1981	Whitlock
2,333,259 A	9/1943	Litschgi		D266,879 S	11/1982	Pastirik
D143,021 S	2/1945	Murphy		D288,010 S	1/1987	Faulkenberry
2,374,442 A	4/1945	Luham		4,856,537 A	8/1989	Liu
D142,130 S	8/1945	Swofford		D309,352 S	7/1990	Harder et al.
D152,474 S	1/1949	Heintze		D323,720 S	2/1992	Leung
2,565,864 A	8/1951	Lindsey		5,279,452 A	1/1994	Huynh
2,647,523 A	8/1953	Vollender		D362,921 S	10/1995	Krystek
D172,130 S	5/1954	Coulter		5,617,880 A	4/1997	Landuydt
D172,873 S	8/1954	Gayle et al.		D395,097 S	6/1998	Barton et al.
2,714,464 A	8/1955	Cline		5,778,489 A	7/1998	Marshal, II
2,779,624 A	1/1957	Friedman		D399,025 S	9/1998	Whitlock
2,974,821 A	3/1961	Lamont		D403,804 S	1/1999	Silkaitis
D195,071 S	4/1963	Vasile		5,906,211 A	5/1999	Mason
3,186,414 A	6/1965	Davis		D452,750 S	1/2002	Habibi et al.
D244,302 S	5/1977	Bradley		D455,225 S	4/2002	Whitlock
D247,049 S	1/1978	Alves		D459,539 S	6/2002	Foote
D248,972 S	* 8/1978	Carter	D27/104	D468,857 S	1/2003	Foote
4,133,319 A	1/1979	Bloomfield		6,606,996 B1	8/2003	Thornell et al.
D251,174 S	2/1979	Biever				

* cited by examiner

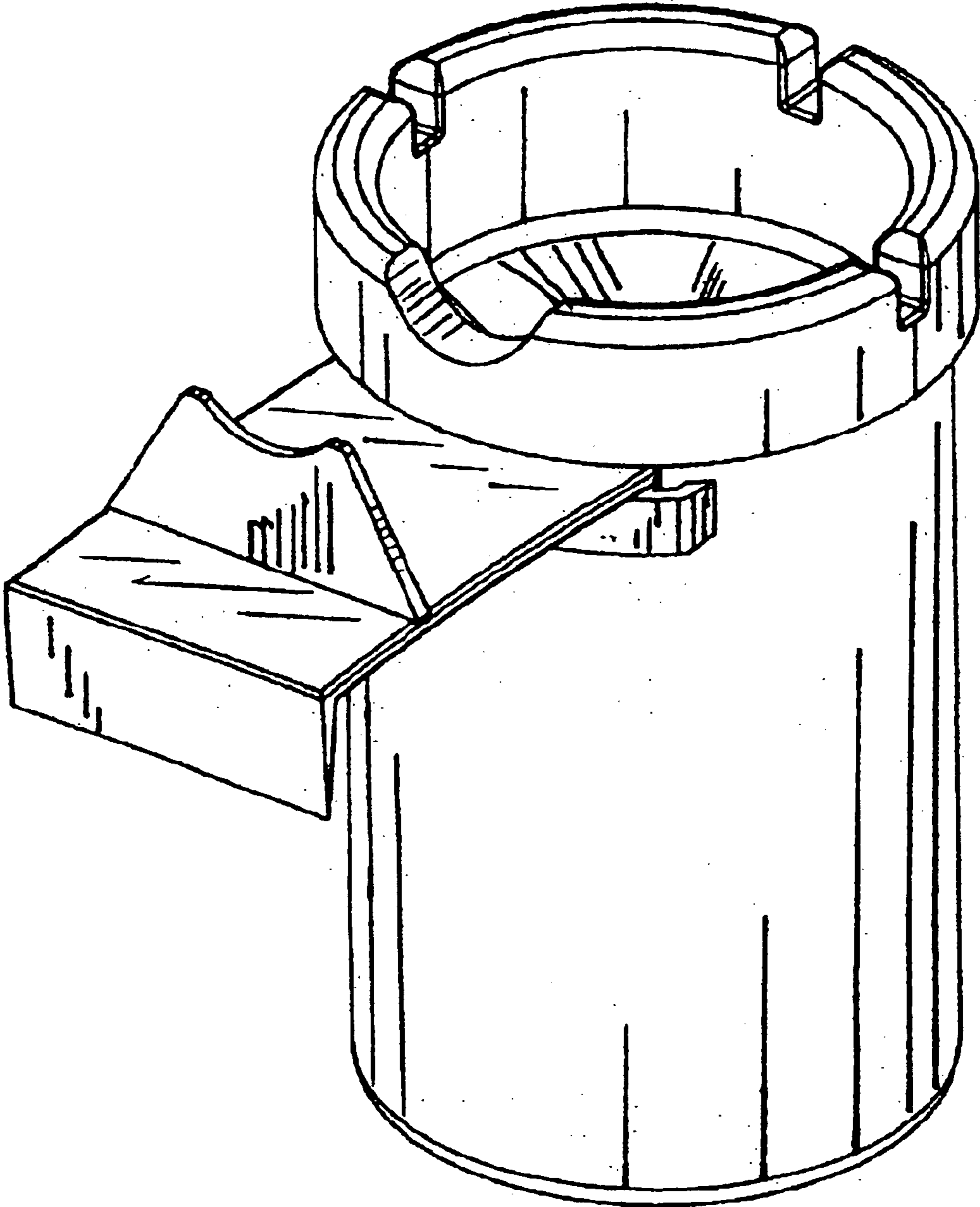


Fig. 1

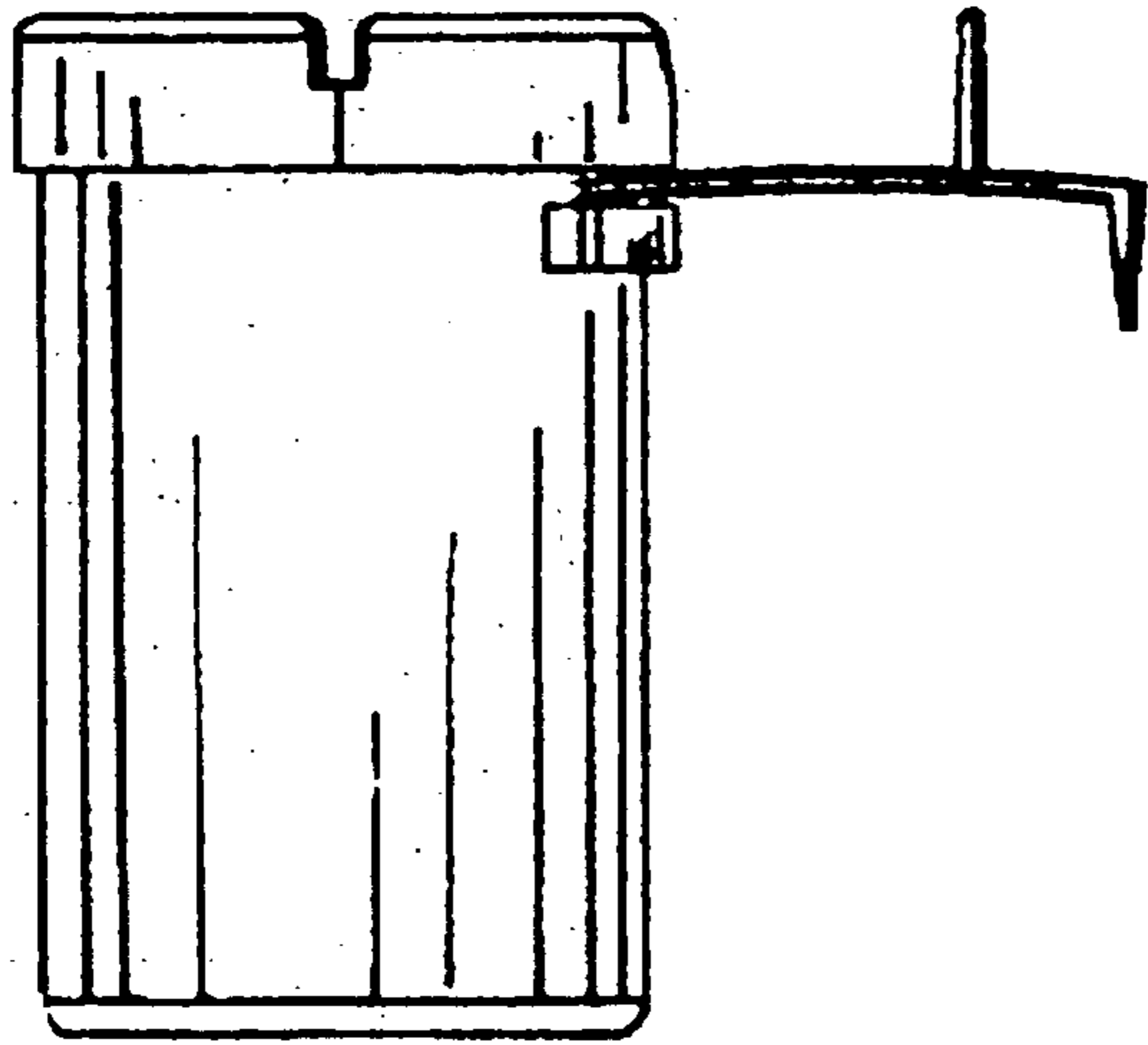


Fig. 2

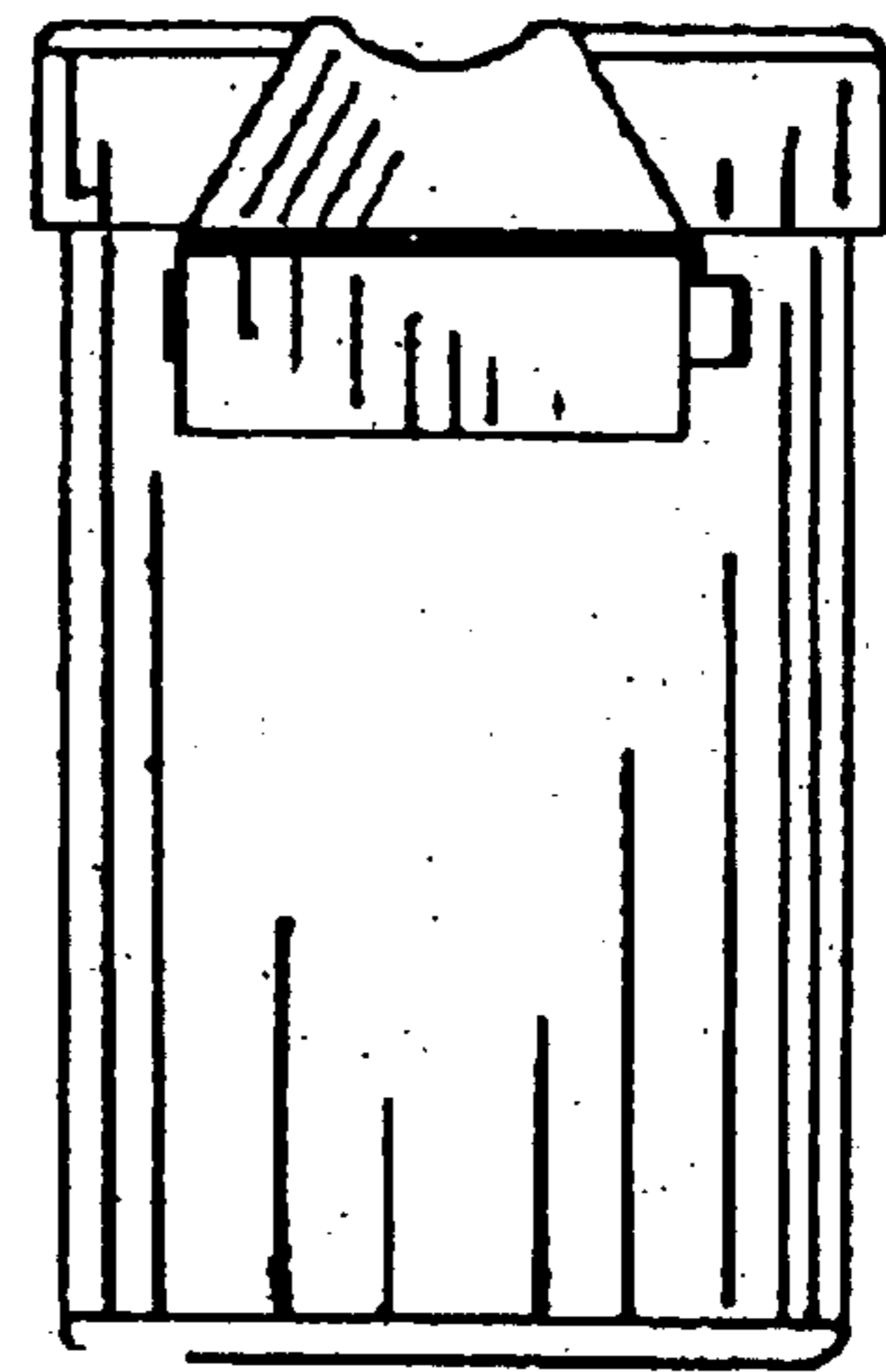


Fig. 3

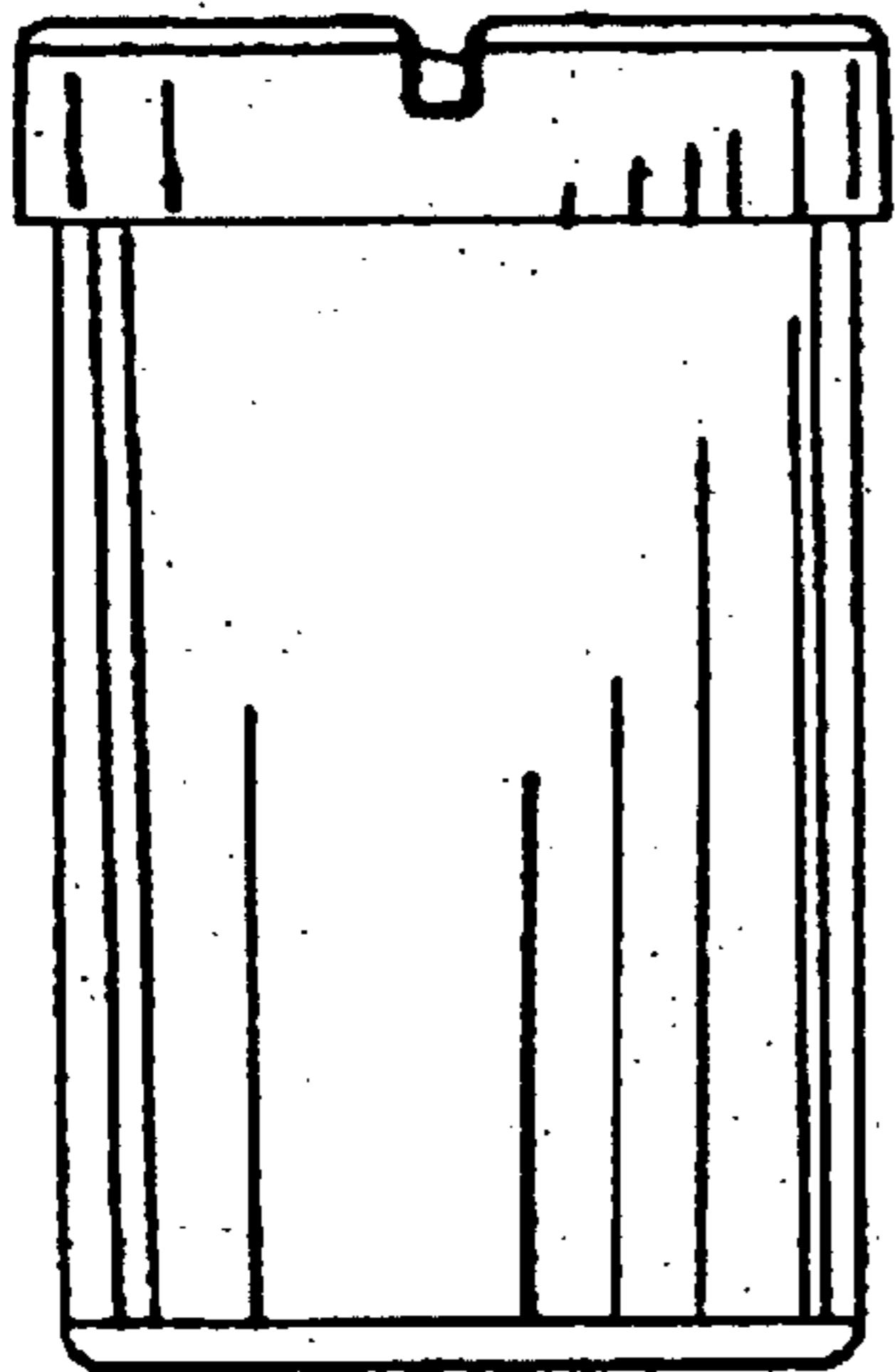


Fig. 6

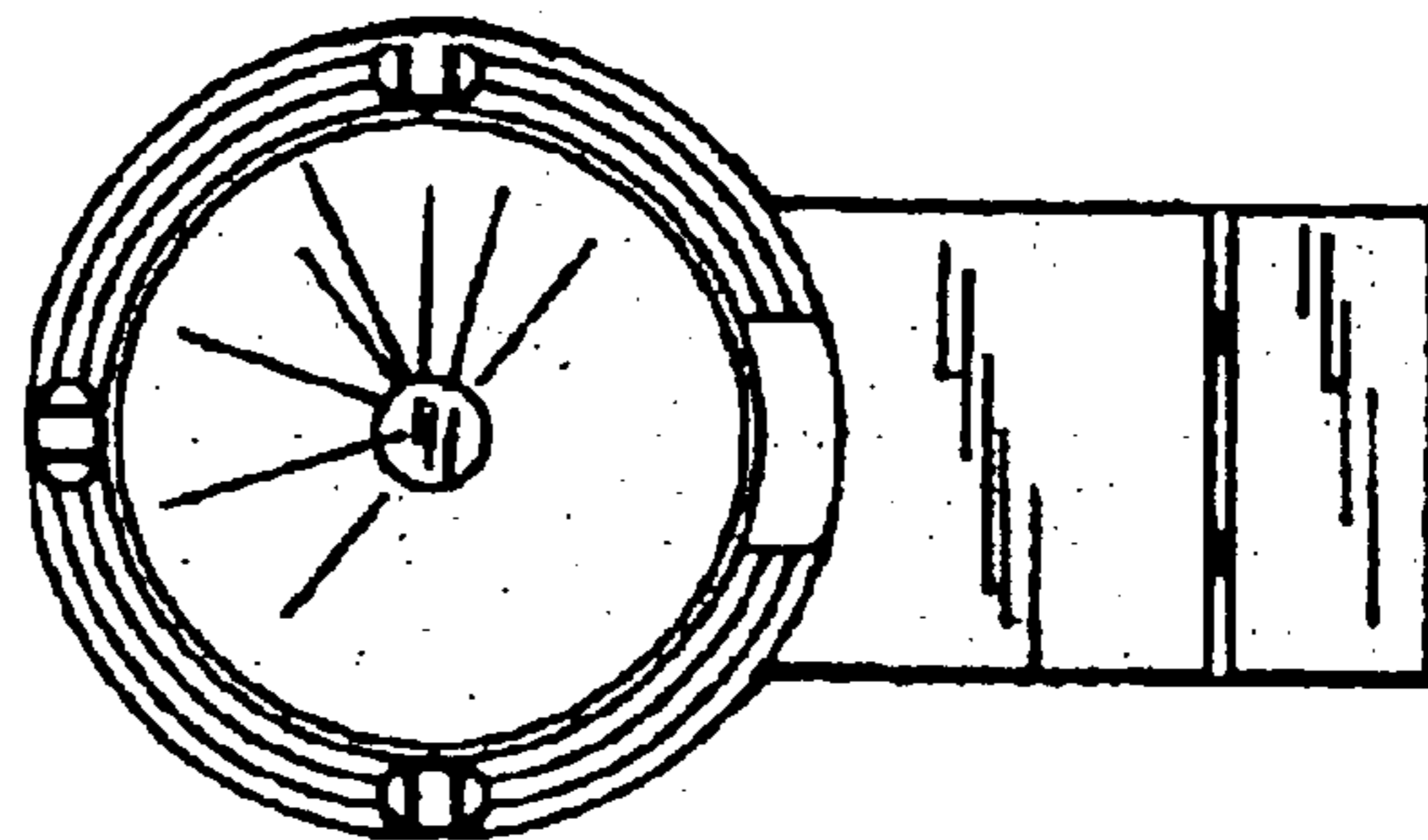


Fig. 4

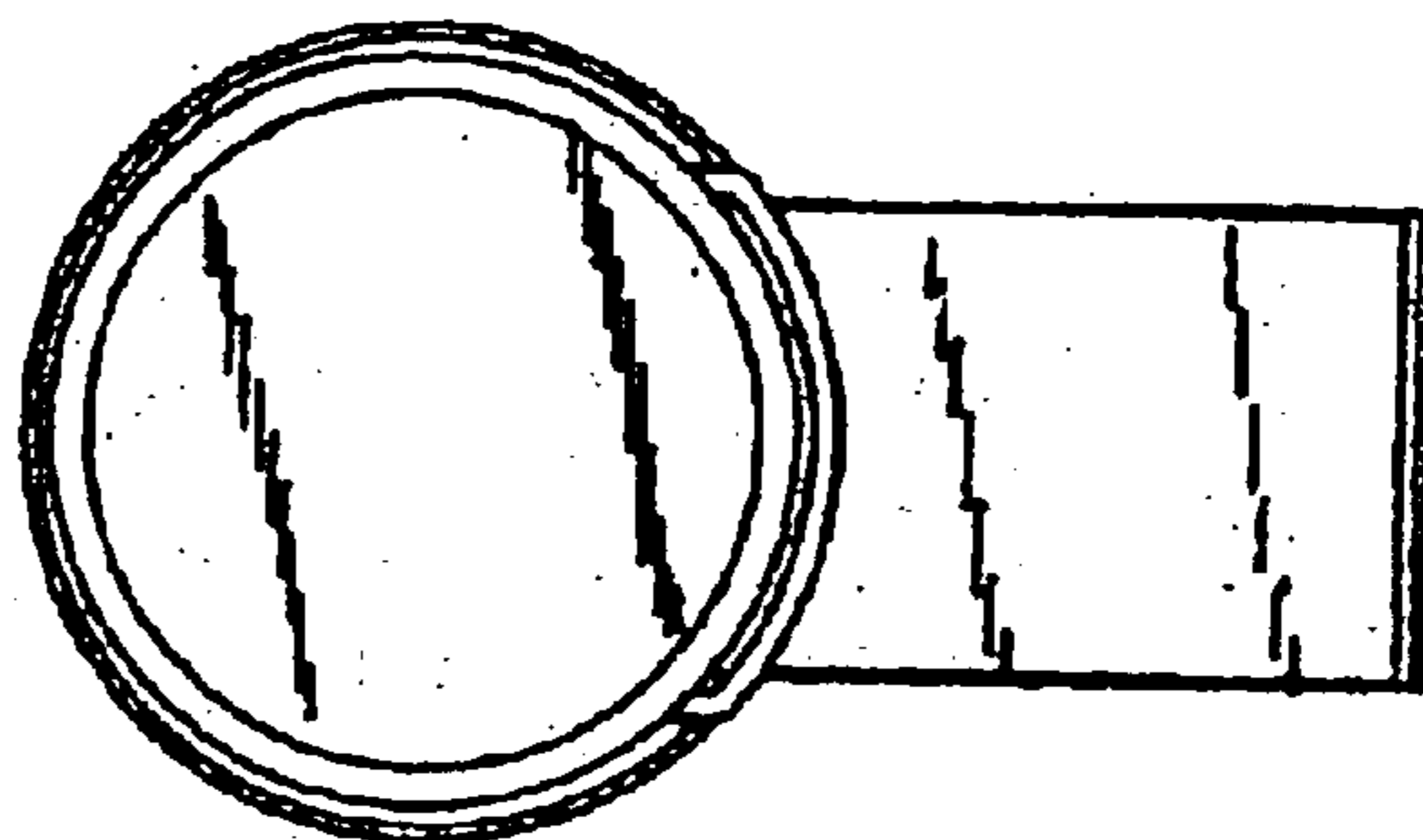


Fig. 5

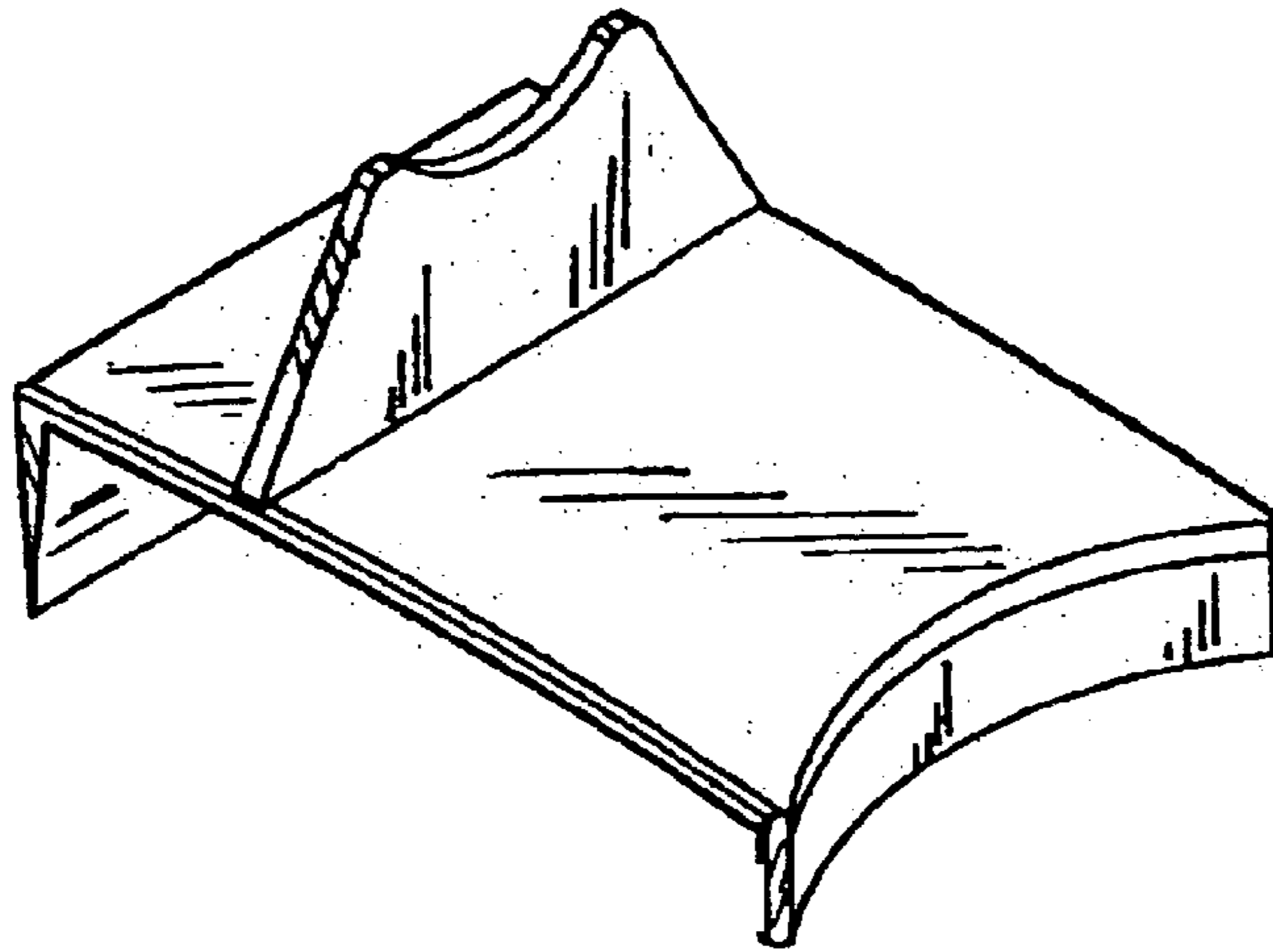


Fig. 7

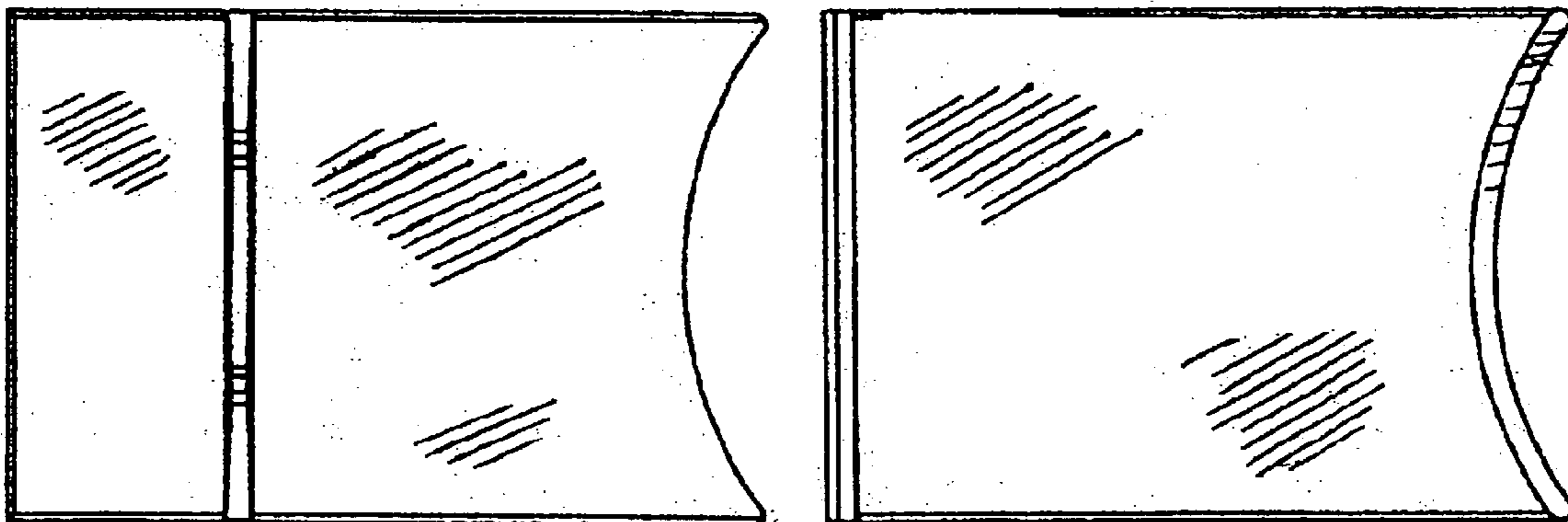


Fig. 8

Fig. 9

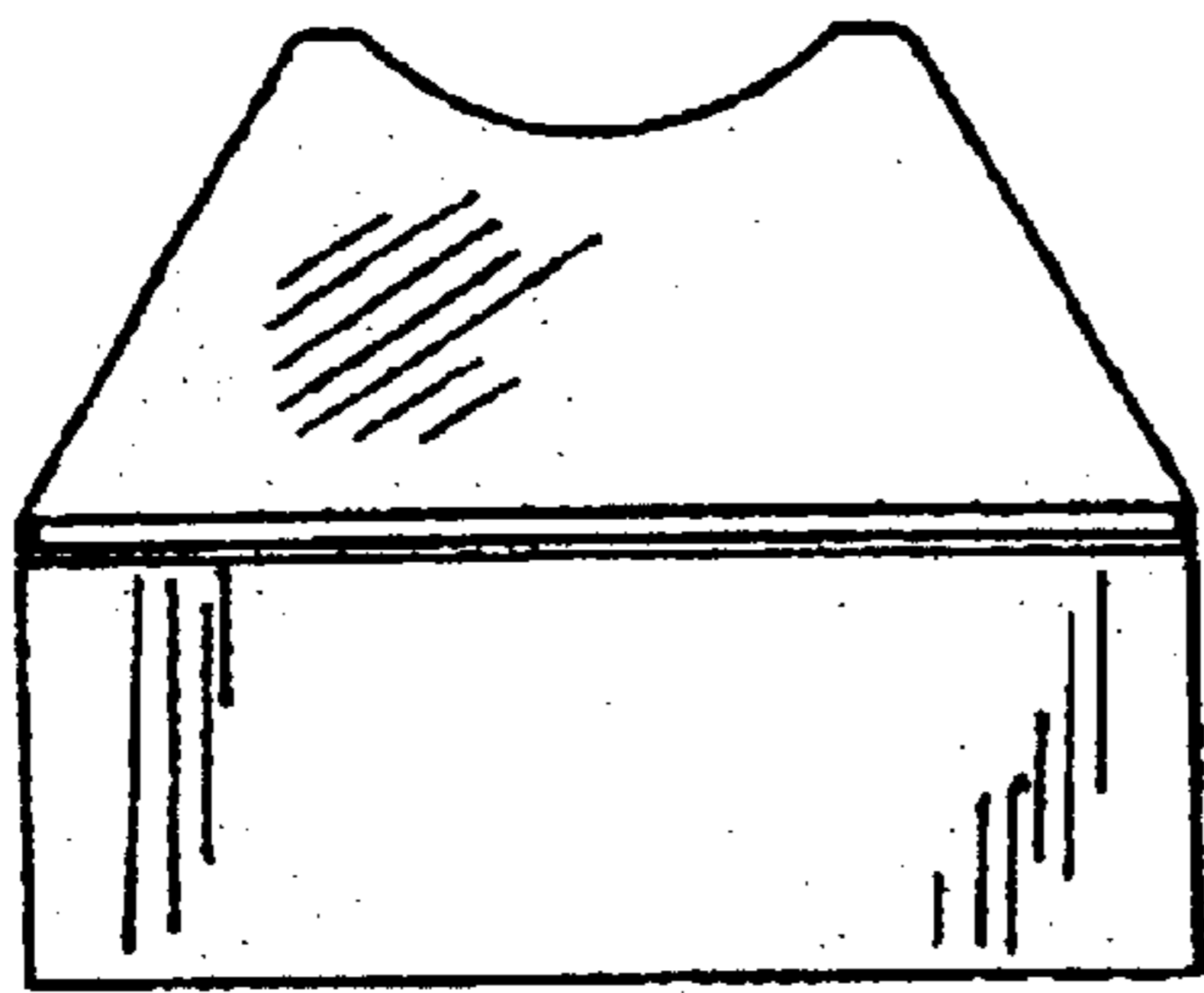


Fig. 10

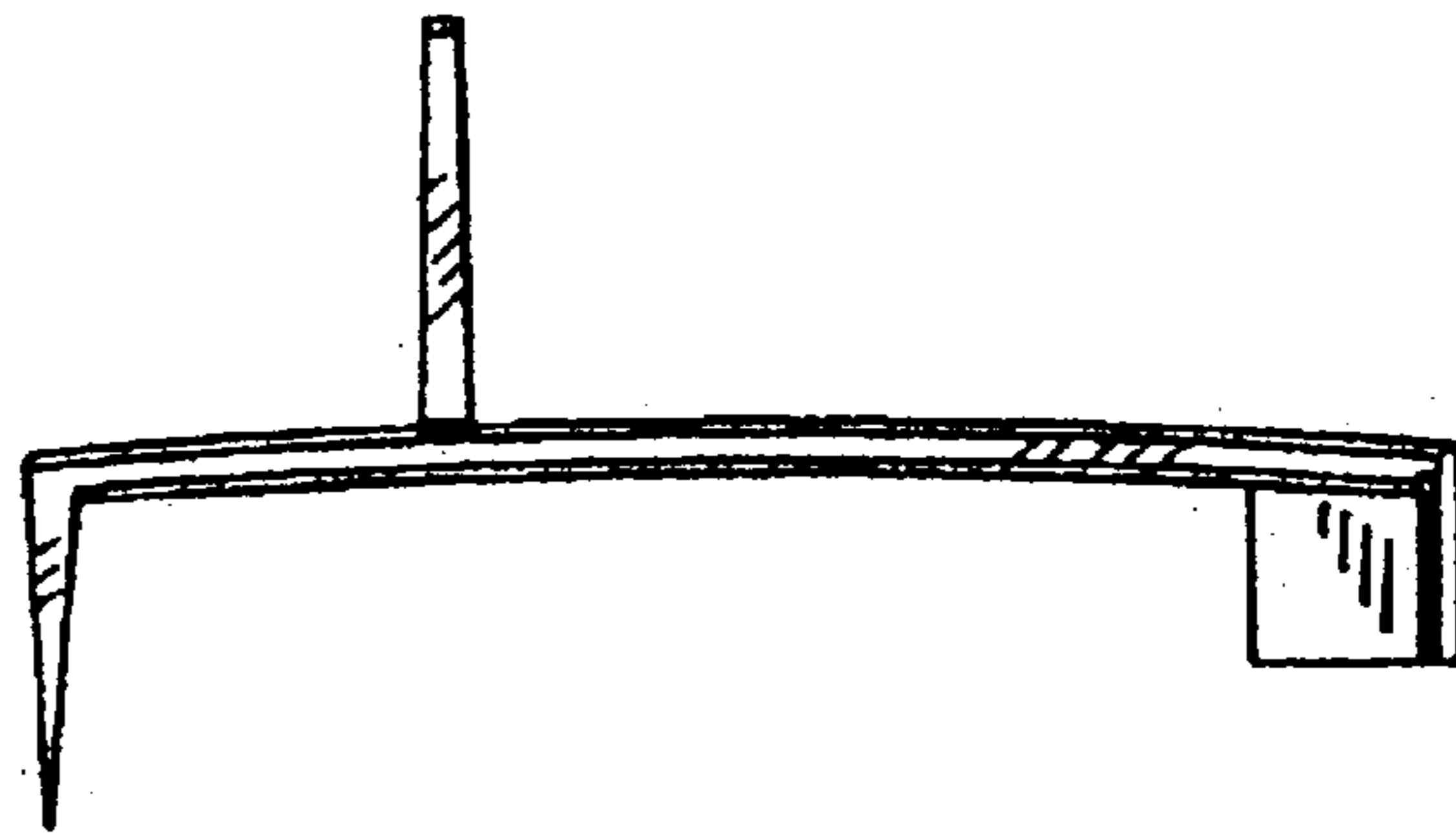


Fig. 11

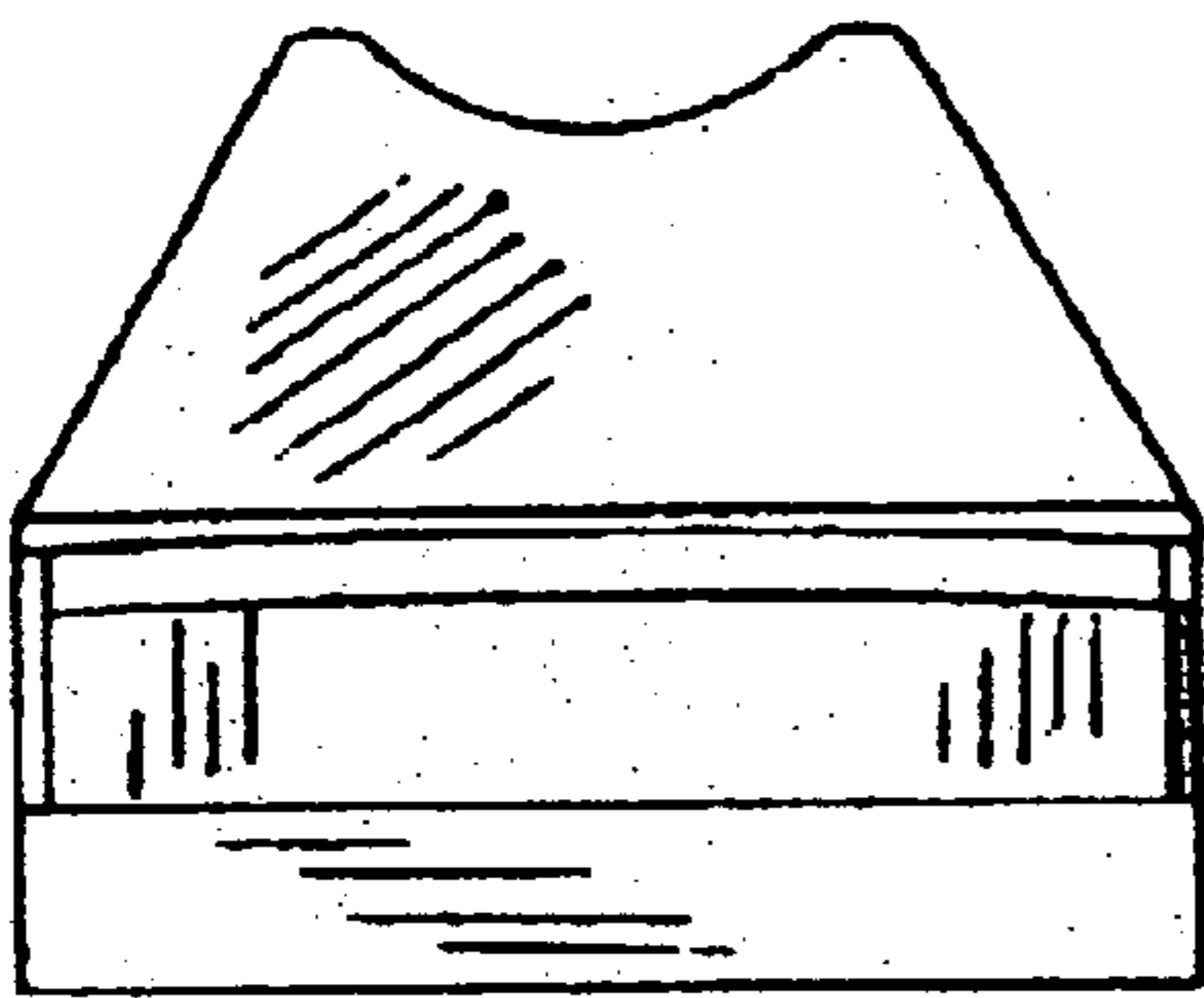


Fig. 12

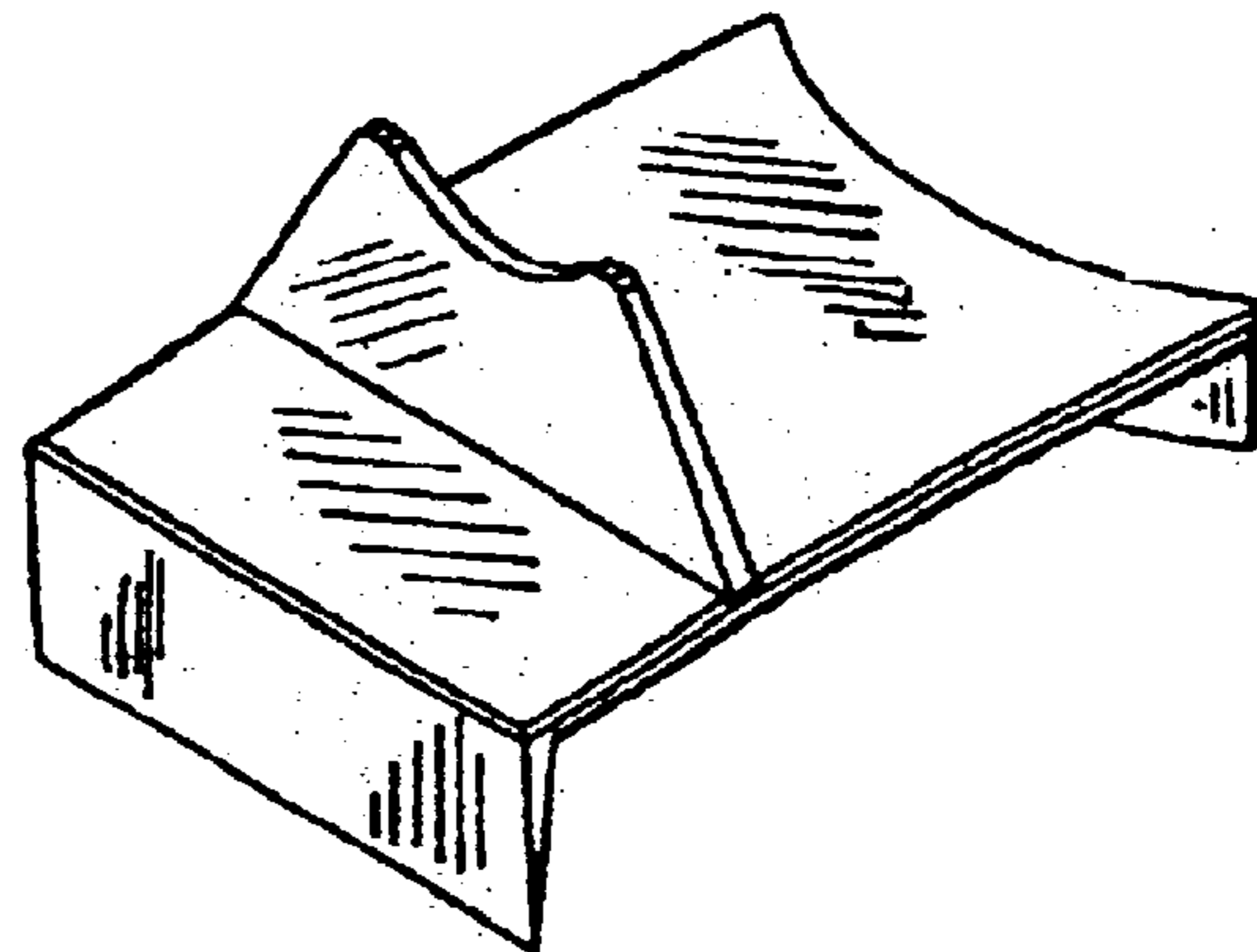


Fig. 13