

US00D493004S1

(12) **United States Design Patent** (10) **Patent No.:** **US D493,004 S**  
**Hoshikawa et al.** (45) **Date of Patent:** **\*\* Jul. 13, 2004**

(54) **LIGHT EMITTING DIODE LAMP**

*Primary Examiner*—Marcus A. Jackson

(75) Inventors: **Kiyotoshi Hoshikawa**, Tokyo (JP);  
**Kanji Tajima**, Tokyo (JP)

(74) *Attorney, Agent, or Firm*—Marshall & Melhorn, LLC

(73) Assignee: **Moriyama Sangyo Kabushiki Kaisha**,  
Tokyo (JP)

(57) **CLAIM**

(\*\*) Term: **14 Years**

The ornamental design for a light emitting diode lamp, as shown and described.

(21) Appl. No.: **29/187,749**

**DESCRIPTION**

(22) Filed: **Aug. 6, 2003**

FIG. 1 is a perspective view of a light emitting diode lamp socket showing our new design, the light emitting diode lamp being attached with a metallic cap which is shown in broken lines for illustrative purposes only;

(30) **Foreign Application Priority Data**

Feb. 18, 2003 (JP) ..... 2003-008060

FIG. 2 is a top view thereof;

(51) **LOC (7) Cl.** ..... **26-06**

FIG. 3 is a front view thereof;

(52) **U.S. Cl.** ..... **D26/3**

FIG. 4 is a bottom view thereof;

(58) **Field of Search** ..... D26/1-4; 313/313,  
313/315, 317, 318, 485, 493, 567-569,  
578-580

FIG. 5 is a right side view thereof;

FIG. 6 is a left side view thereof;

FIG. 7 is a back view thereof;

(56) **References Cited**

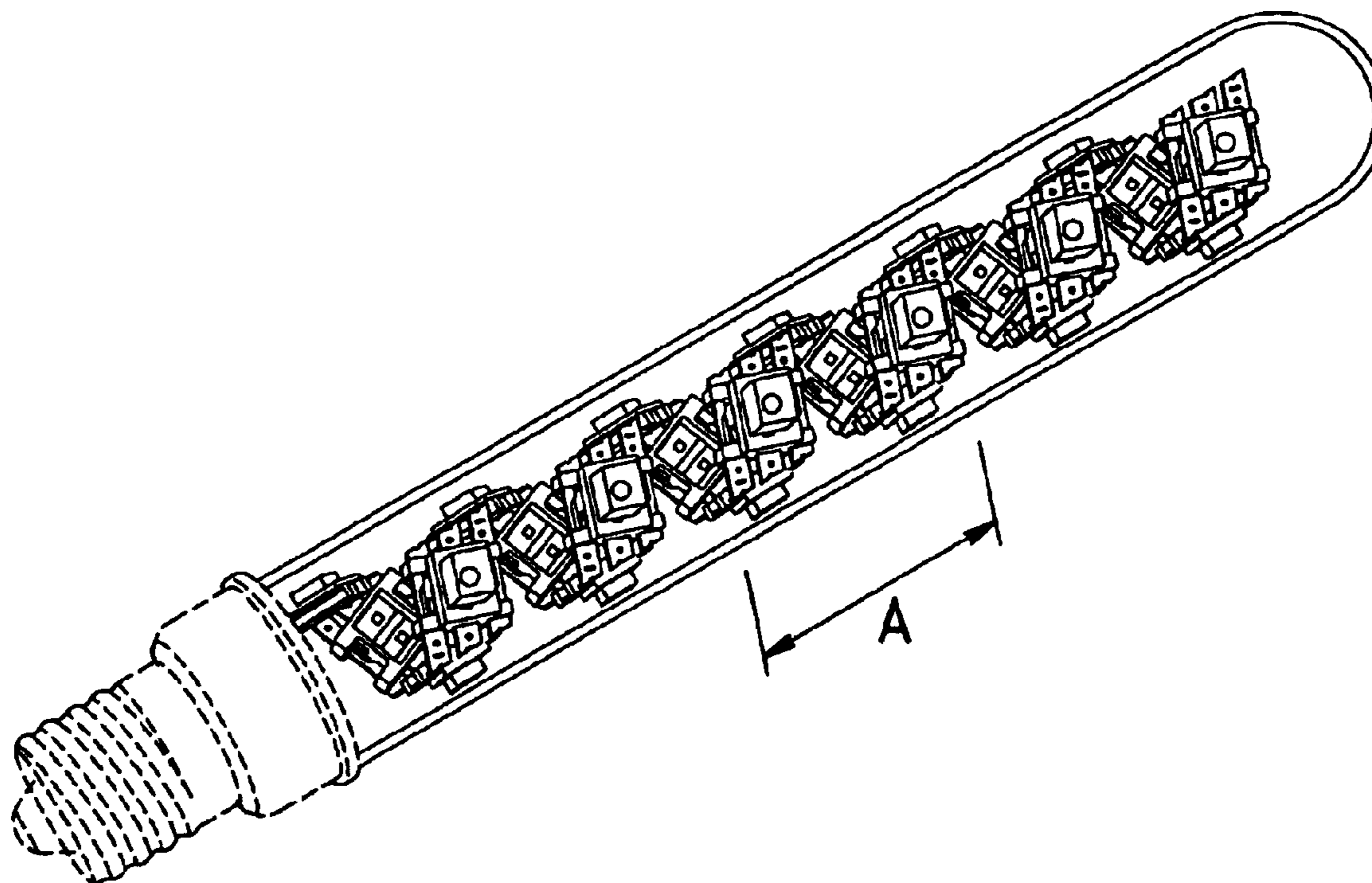
**U.S. PATENT DOCUMENTS**

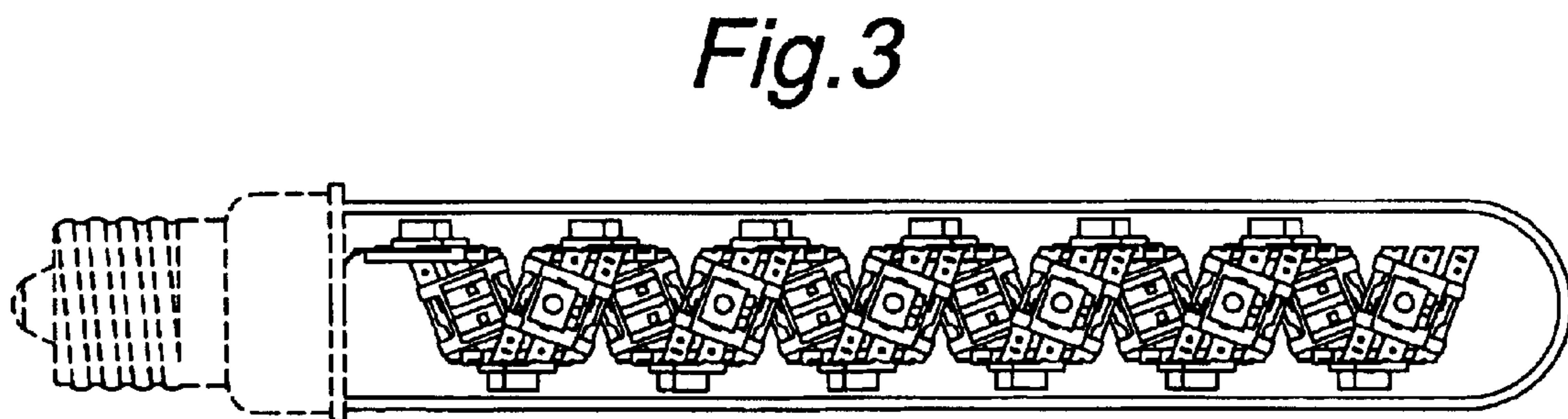
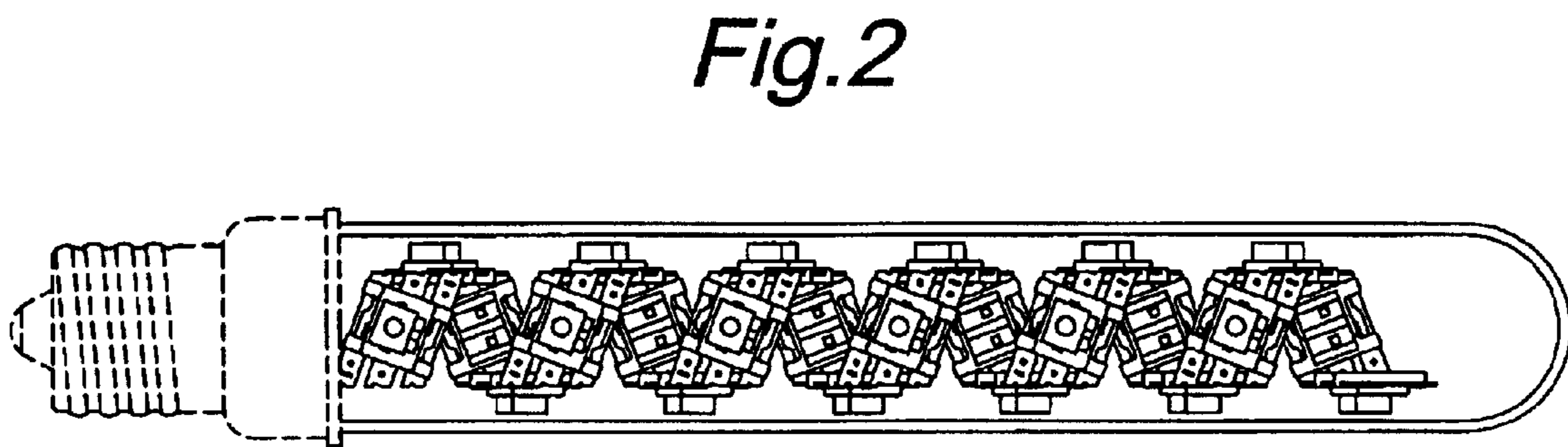
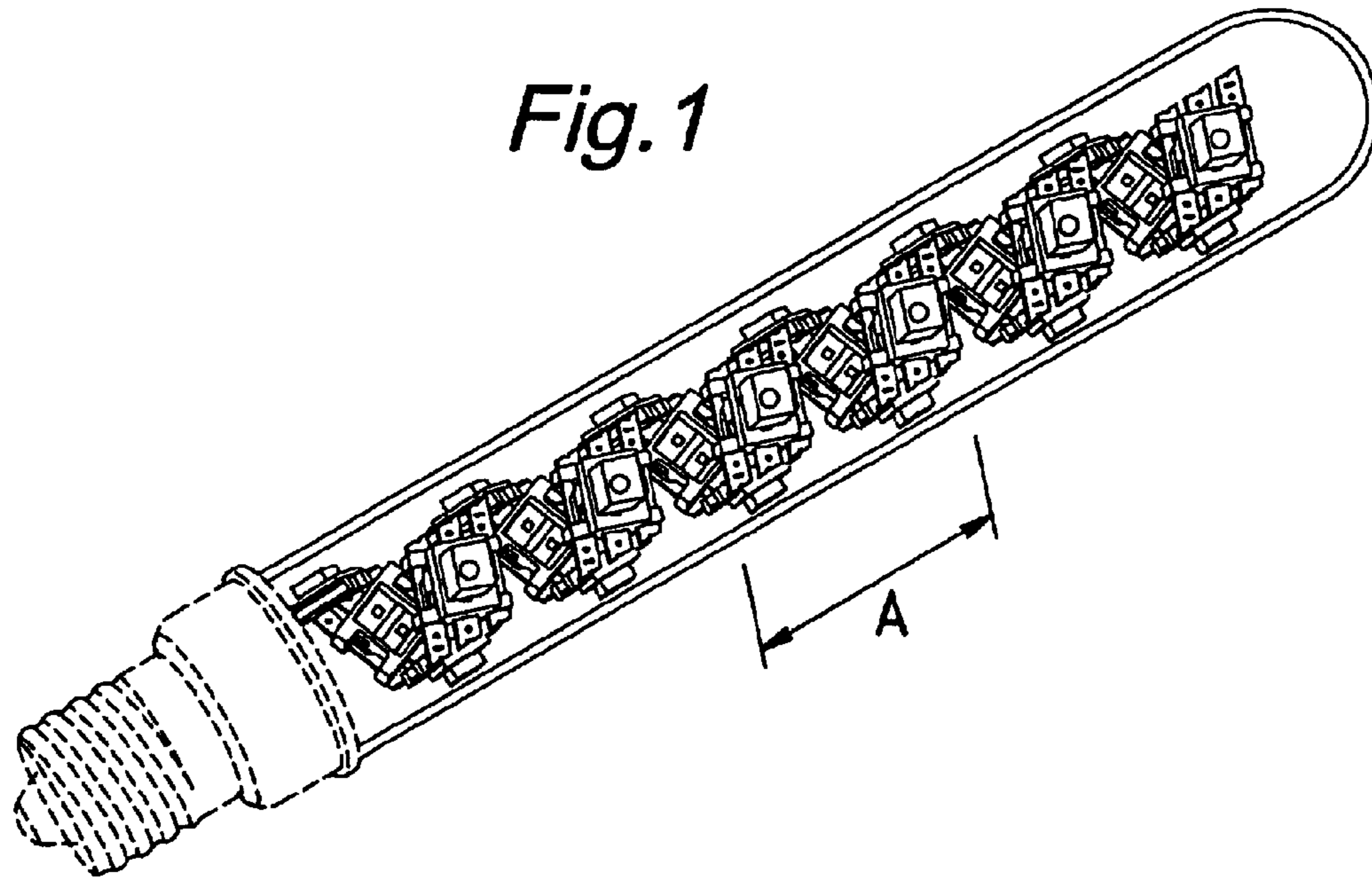
- D387,445 S \* 12/1997 Sato et al. .... D26/3
- D400,987 S \* 11/1998 Sato et al. .... D26/3
- D477,093 S \* 7/2003 Moriyama et al. .... D26/3

FIG. 8 is an enlarged perspective view showing a part of the light emitting diode lamp indicated by the arrow A in FIG. 1, with the light-transmissive cover tube being omitted; and, FIG. 9 is an illustrative front view showing the light emitting diode lamp attached with a different type of metallic cap which is shown in broken lines for illustrative purposes only.

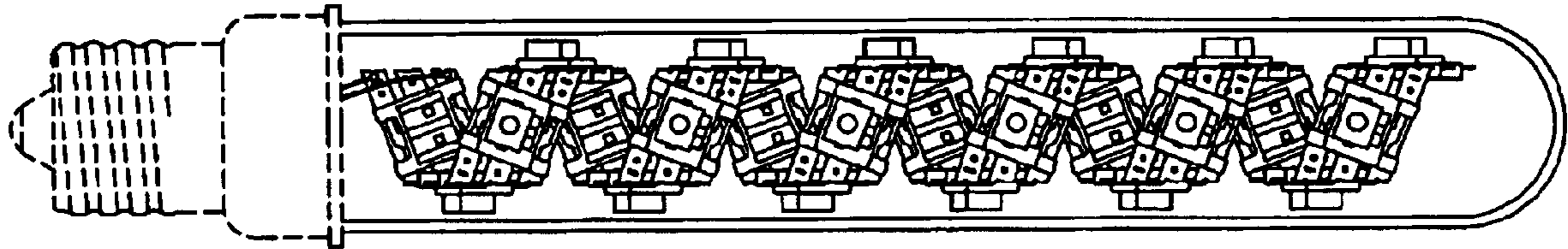
\* cited by examiner

**1 Claim, 4 Drawing Sheets**

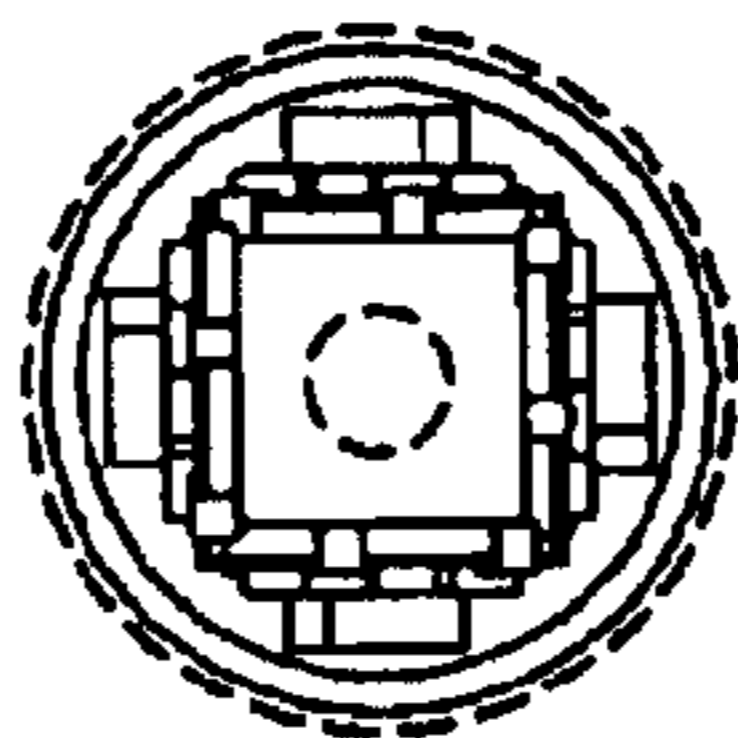




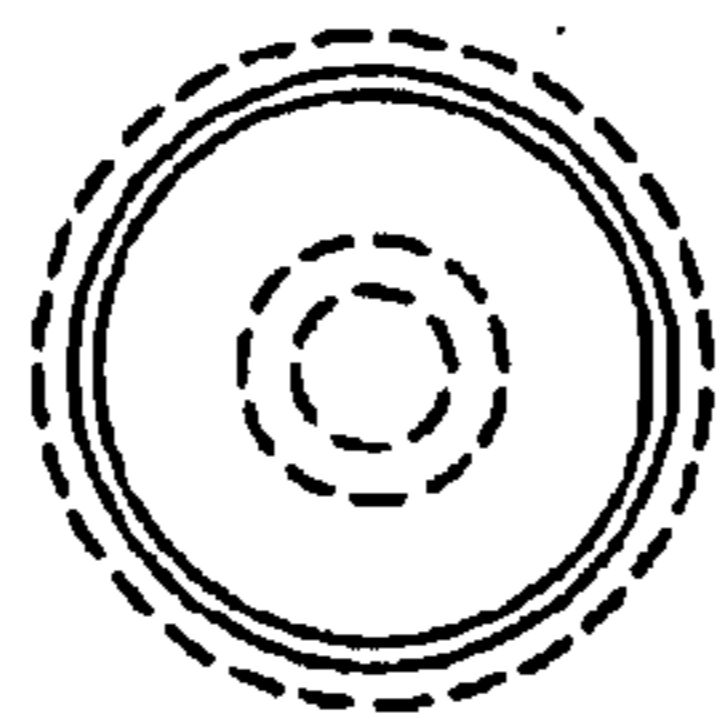
*Fig.4*



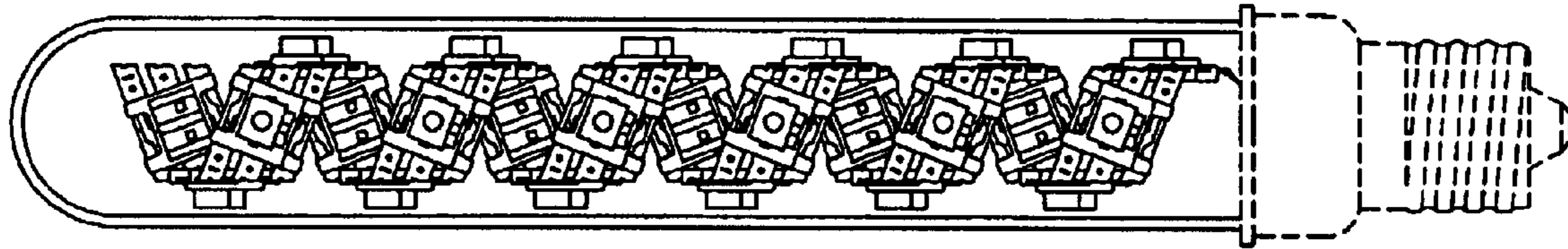
*Fig.5*



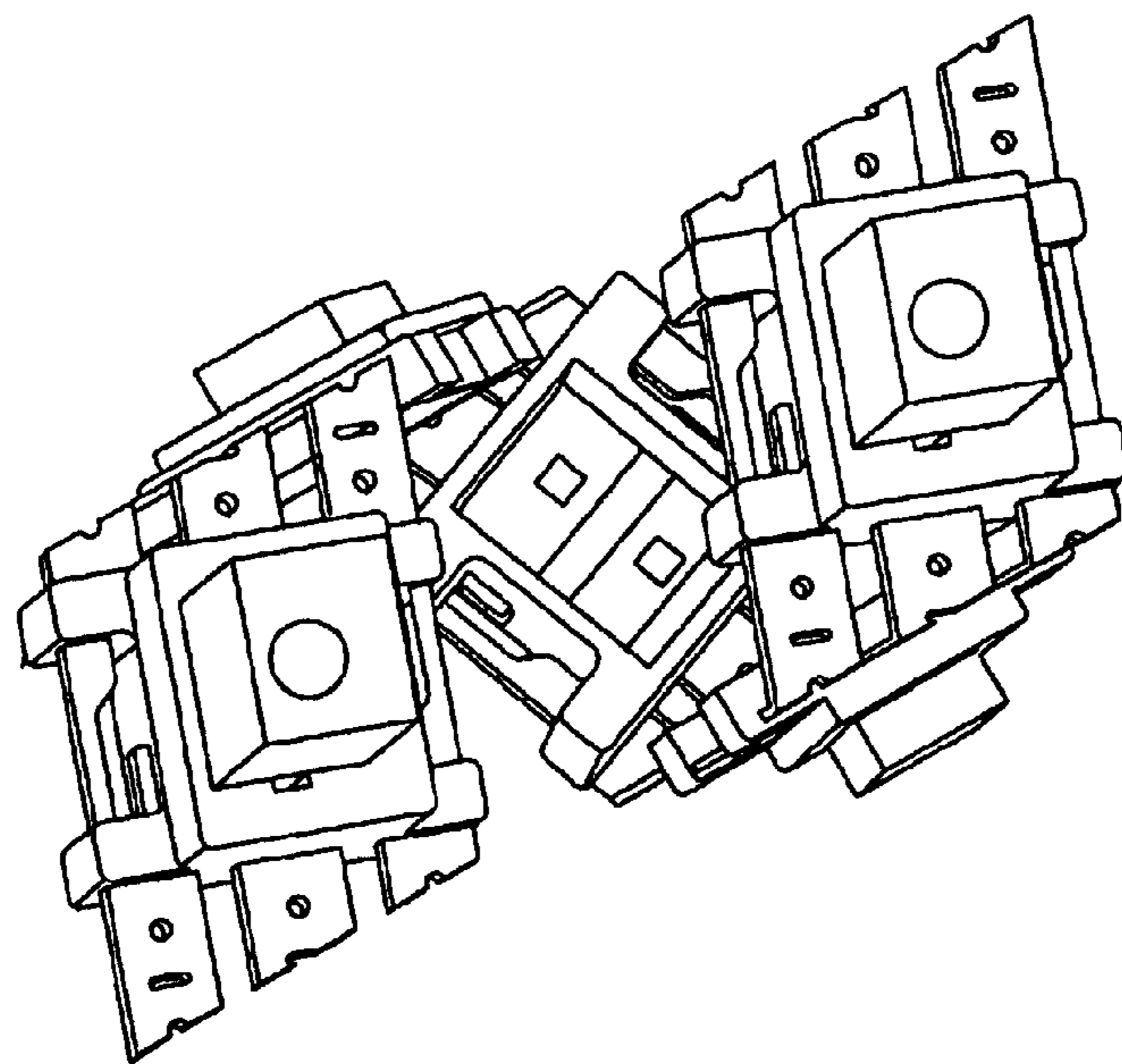
*Fig.6*



*Fig.7*



*Fig.8*



*Fig. 9*

