

US00D493000S1

(12) **United States Design Patent** (10) **Patent No.:** **US D493,000 S**
Grady et al. (45) **Date of Patent:** **** Jul. 13, 2004**

(54) **POST TREATMENT PROTECTOR DEVICE**

6,107,536 A 8/2000 Dadinis

(75) Inventors: **Sheila Grady**, Albertson, NC (US);
Laura Staubes, Winterville, NC (US);
Janice Lalikos, Greenville, NC (US)

(73) Assignee: **East Carolina University**, Greenville,
NC (US)

(**) Term: **14 Years**

(21) Appl. No.: **29/191,746**

(22) Filed: **Oct. 14, 2003**

Related U.S. Application Data

(62) Division of application No. 29/156,423, filed on Feb. 28,
2002, now Pat. No. Des. 483,491.

(51) **LOC (7) Cl.** **24-04**

(52) **U.S. Cl.** **D24/189**

(58) **Field of Search** D24/189; 128/888,
128/889, 890; 450/57, 58, 81, 93, 15, 46,
267; D29/100

(56) **References Cited**

U.S. PATENT DOCUMENTS

D24,679 S	*	9/1895	Murphy	D15/148
2,553,825 A	*	5/1951	Langs	450/81
3,260,261 A	*	7/1966	Gallovich	128/889
4,071,914 A		2/1978	Silverman		
4,667,666 A	*	5/1987	Fryslie	128/888
4,870,977 A		10/1989	Imonti		
5,032,103 A	*	7/1991	Larsson	450/37
5,171,321 A		12/1992	Davis		
5,782,672 A	*	7/1998	Woodley	450/57

OTHER PUBLICATIONS

Instructions for Medela® Softshells™; date unavailable. Applicants submit that for examination purposes the reference is prior art and predates the filing date of the application.

Hobbit Breastshells; Medela, Inc., 1995.

Nipple Shield; Medela Inc.; date unavailable. Applicants submit that for examination purposes the reference is prior art and predates the filing date of the application.

Declaration of Laura Staubes, Apr. 1, 2002.

* cited by examiner

Primary Examiner—Stella Reid

(74) *Attorney, Agent, or Firm*—Myers Bigel Sibley & Sajovec

(57) **CLAIM**

The ornamental design for a post treatment protector device, as shown and described.

DESCRIPTION

FIG. 1 is a right side view of a post treatment protector device, showing our new design;

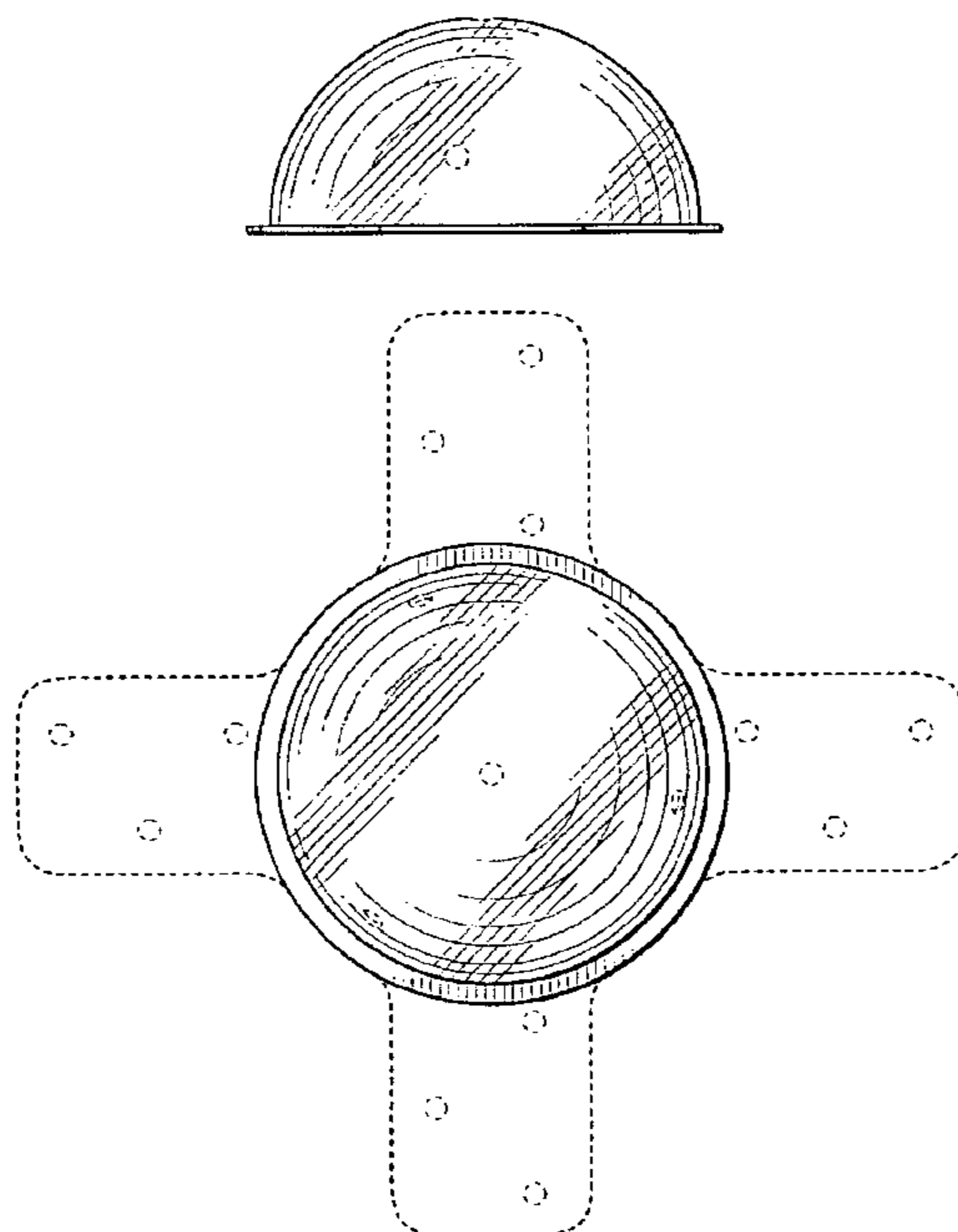
FIG. 2 is a left side view thereof; and,

FIG. 3 is a top view thereof.

Views not shown are disclaimed as part of the design.

The broken lines shown in the views is for illustrative purposes only and form no part of the claimed design. The design shown is not to be limited to any particular size and may be scaled larger or smaller.

1 Claim, 2 Drawing Sheets



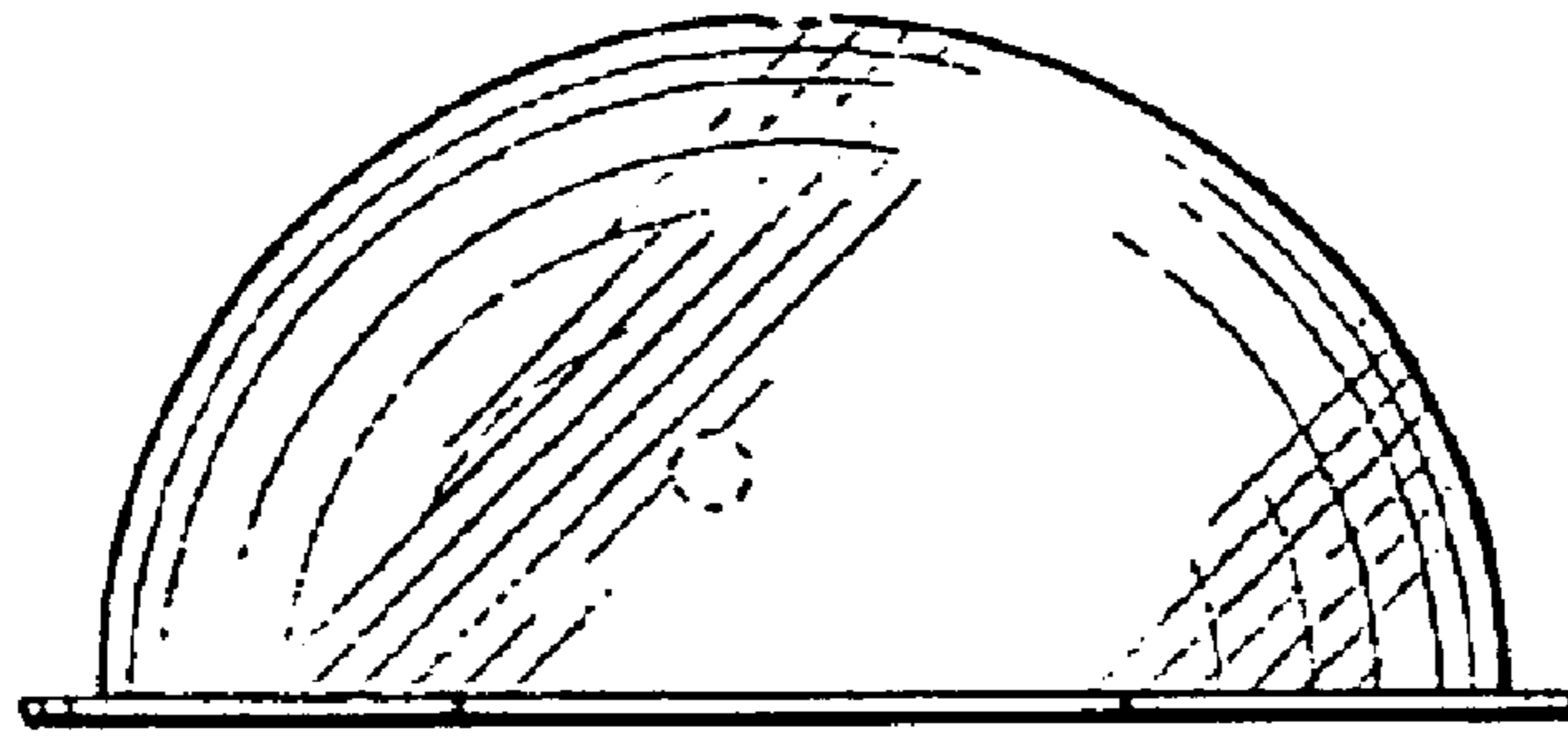


FIG. 1.



FIG. 2.

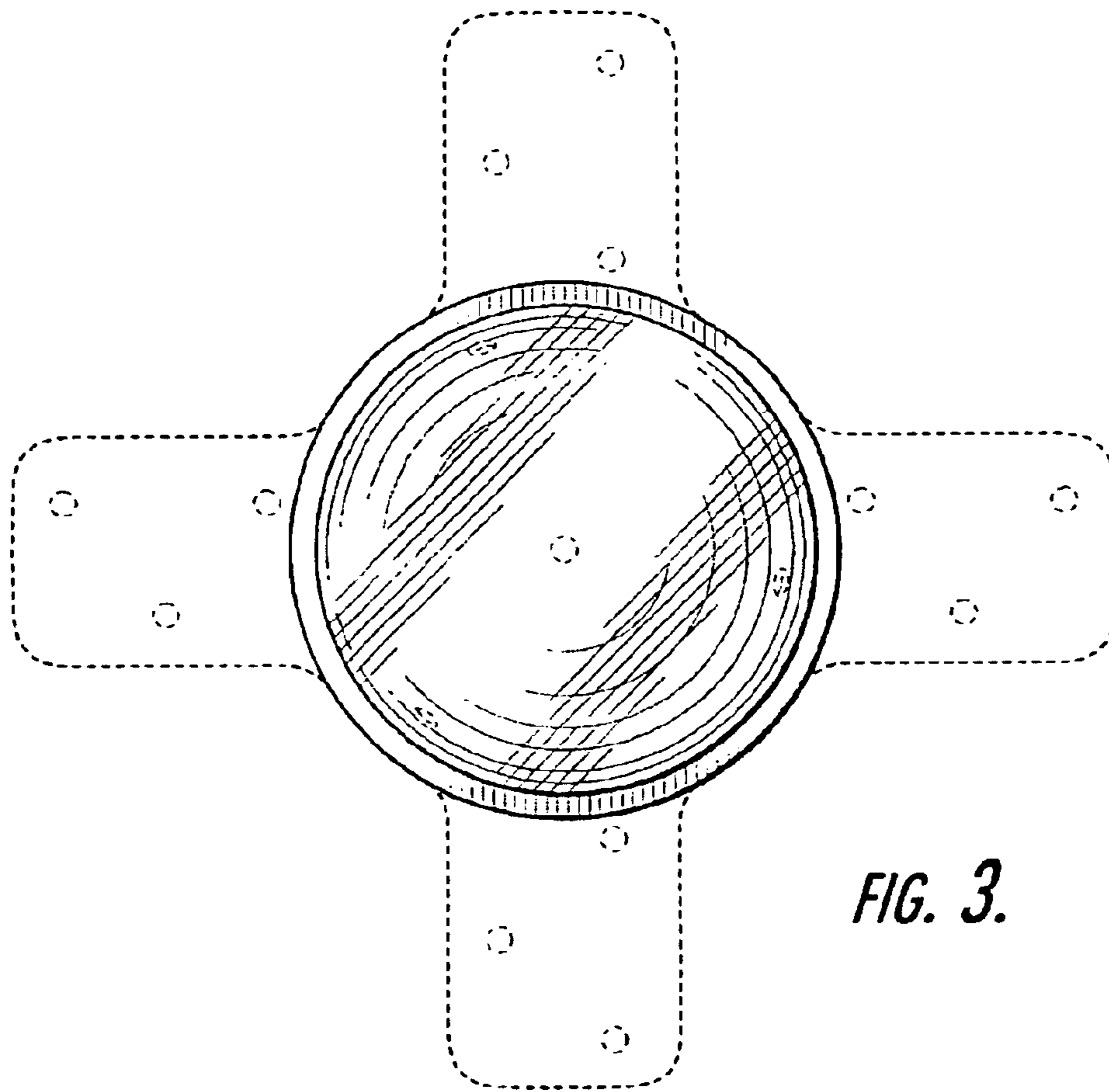


FIG. 3.