

US00D492998S1

(12) **United States Design Patent**  
**Juni**

(10) **Patent No.:** **US D492,998 S**  
(45) **Date of Patent:** **\*\* Jul. 13, 2004**

(54) **NUCLEAR MEDICAL IMAGING APPARATUS**

5,576,548 A \* 11/1996 Clarke et al. .... 250/369  
6,628,983 B1 \* 9/2003 Gagnon ..... 600/431

(76) Inventor: **Jack E. Juni**, 25595 York St., Royal Oak, MI (US) 48067

\* cited by examiner

(\*\*) Term: **14 Years**

*Primary Examiner*—Stella Reid  
(74) *Attorney, Agent, or Firm*—Gifford, Krass, Groh, Sprinkle, Anderson & Citkowski, PC

(21) Appl. No.: **29/185,026**

(22) Filed: **Jun. 20, 2003**

(57) **CLAIM**

I claim the ornamental design for a nuclear medical imaging apparatus, as shown and described.

**Related U.S. Application Data**

**DESCRIPTION**

(63) Continuation-in-part of application No. 10/358,961, filed on Feb. 5, 2003, which is a continuation-in-part of application No. 09/549,435, filed on Apr. 14, 2000, now Pat. No. 6,525,320.

(60) Provisional application No. 60/129,239, filed on Apr. 14, 1999, and provisional application No. 60/151,378, filed on Aug. 30, 1999.

(51) **LOC (7) Cl.** ..... **24-01**

(52) **U.S. Cl.** ..... **D24/158**

(58) **Field of Search** ..... D24/158; 250/360.1, 250/363.01, 363.02, 363.03, 363.04, 363.05, 363.08, 363.09, 366, 369, 370.09

FIG. 1 is a perspective view of a nuclear medical imaging apparatus according to the present invention;  
FIG. 2 is a front elevational view of the apparatus of FIG. 1;  
FIG. 3 is a rear elevational view of the apparatus of FIGS. 1 and 2;  
FIG. 4 is a side elevational view of the apparatus of FIGS. 1-3;  
FIG. 5 is a bottom plan view of the apparatus of FIGS. 1-4;  
FIG. 6 is a side elevational view of the apparatus of FIGS. 1-5, showing the side opposite the side shown in FIG. 4; and,  
FIG. 7 is a top plan view of the apparatus of FIGS. 1-6.

(56) **References Cited**

**U.S. PATENT DOCUMENTS**

3,825,757 A \* 7/1974 Barrett et al. .... 250/363.01

**1 Claim, 4 Drawing Sheets**

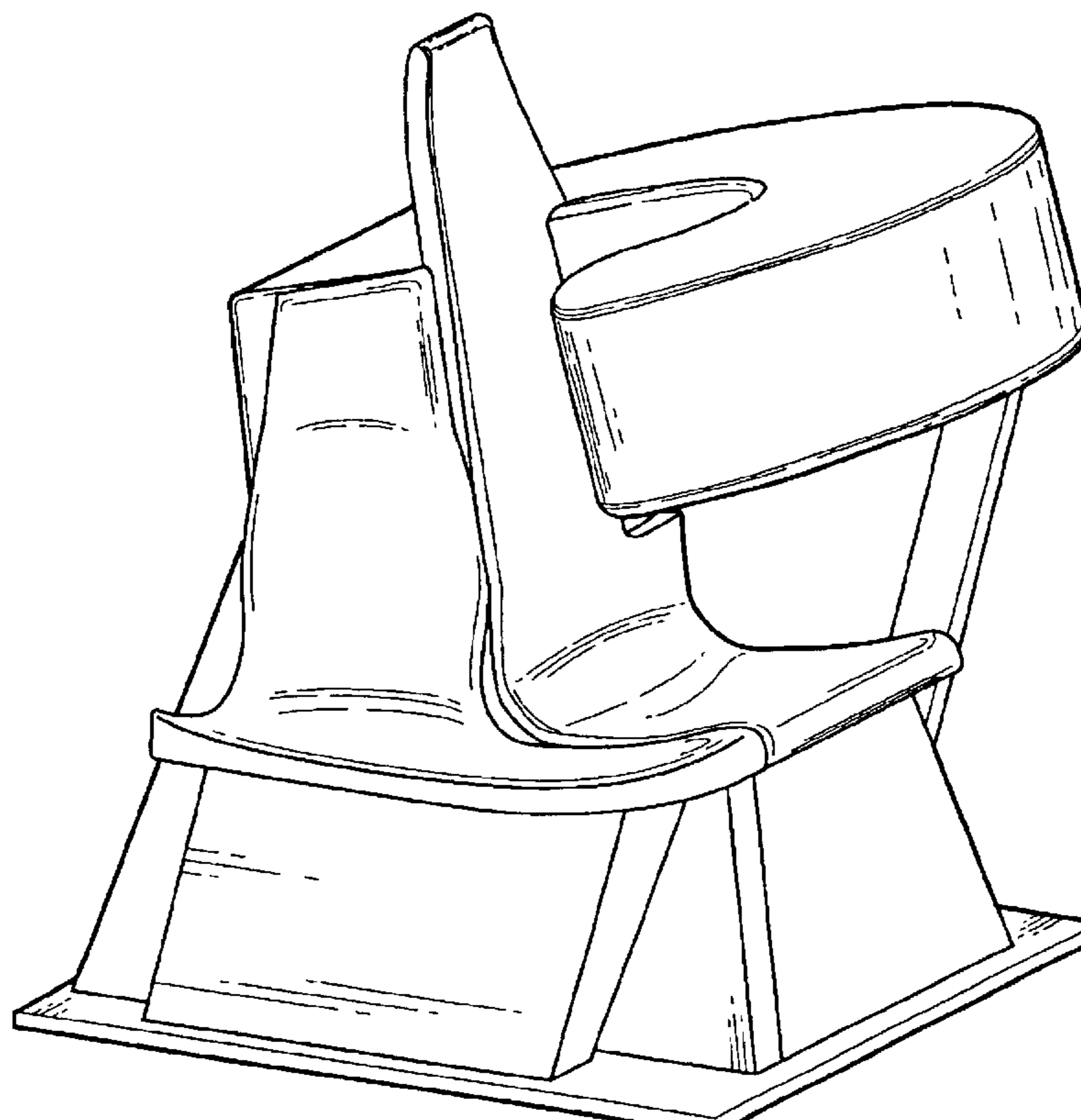
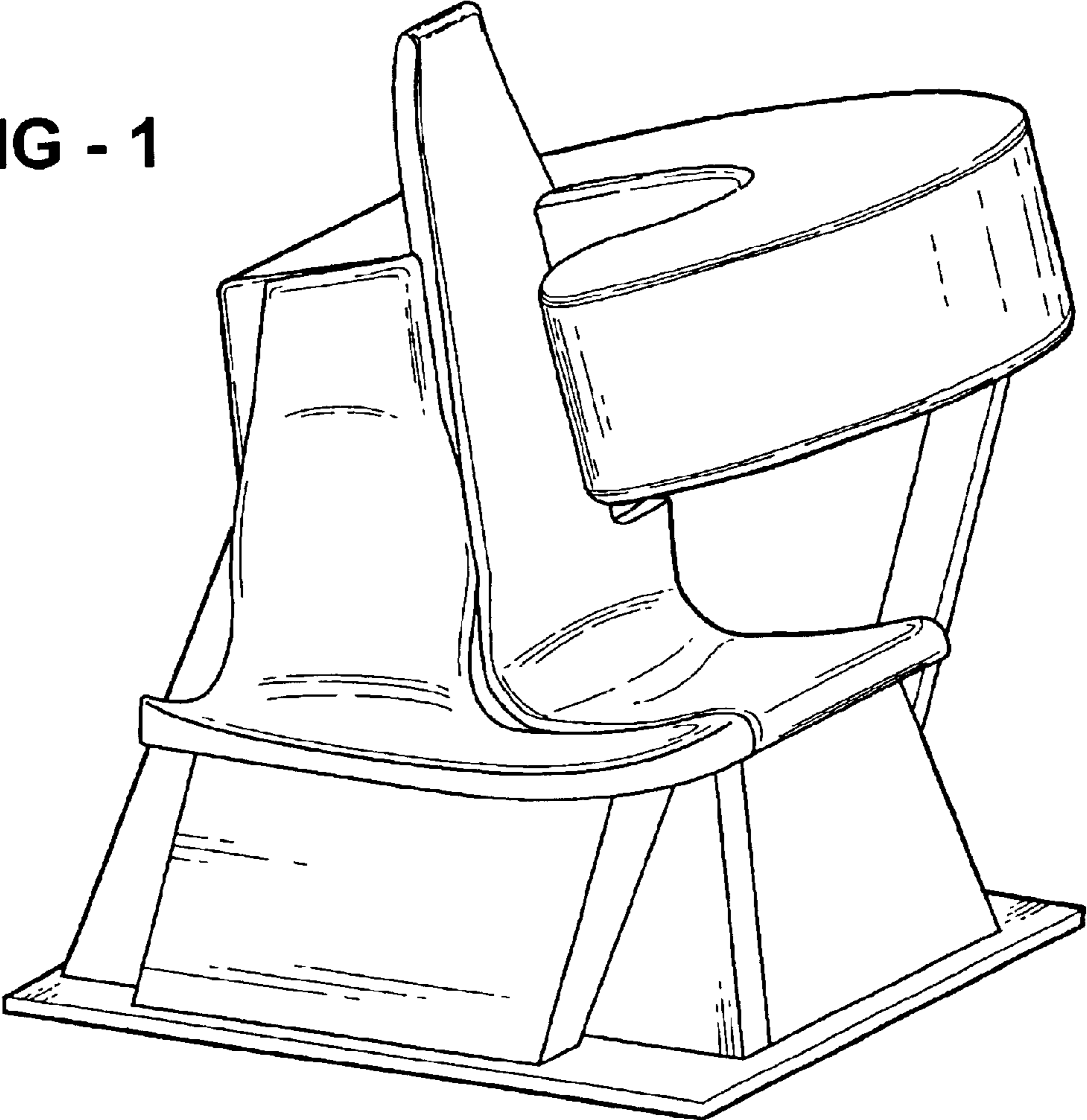
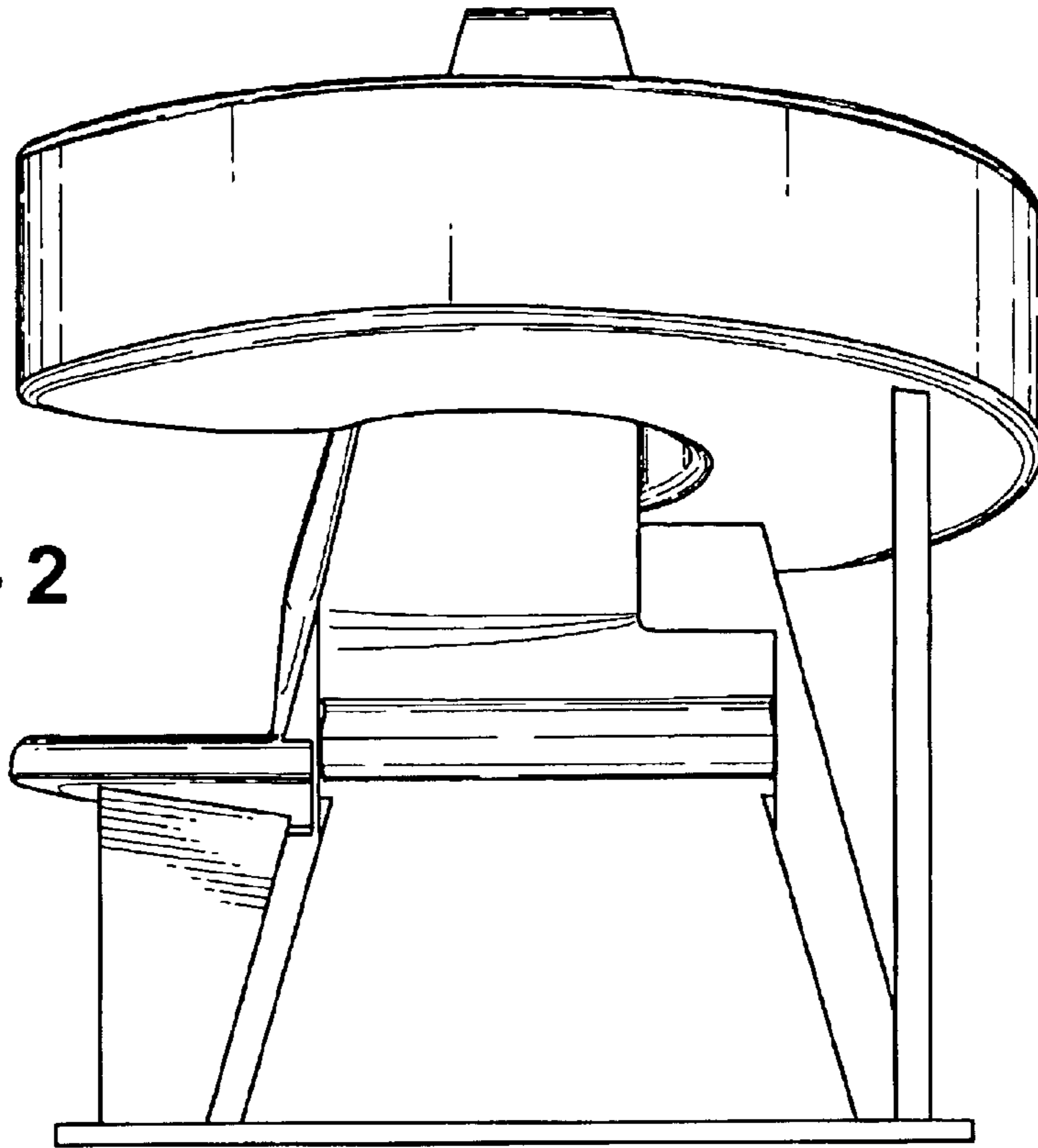


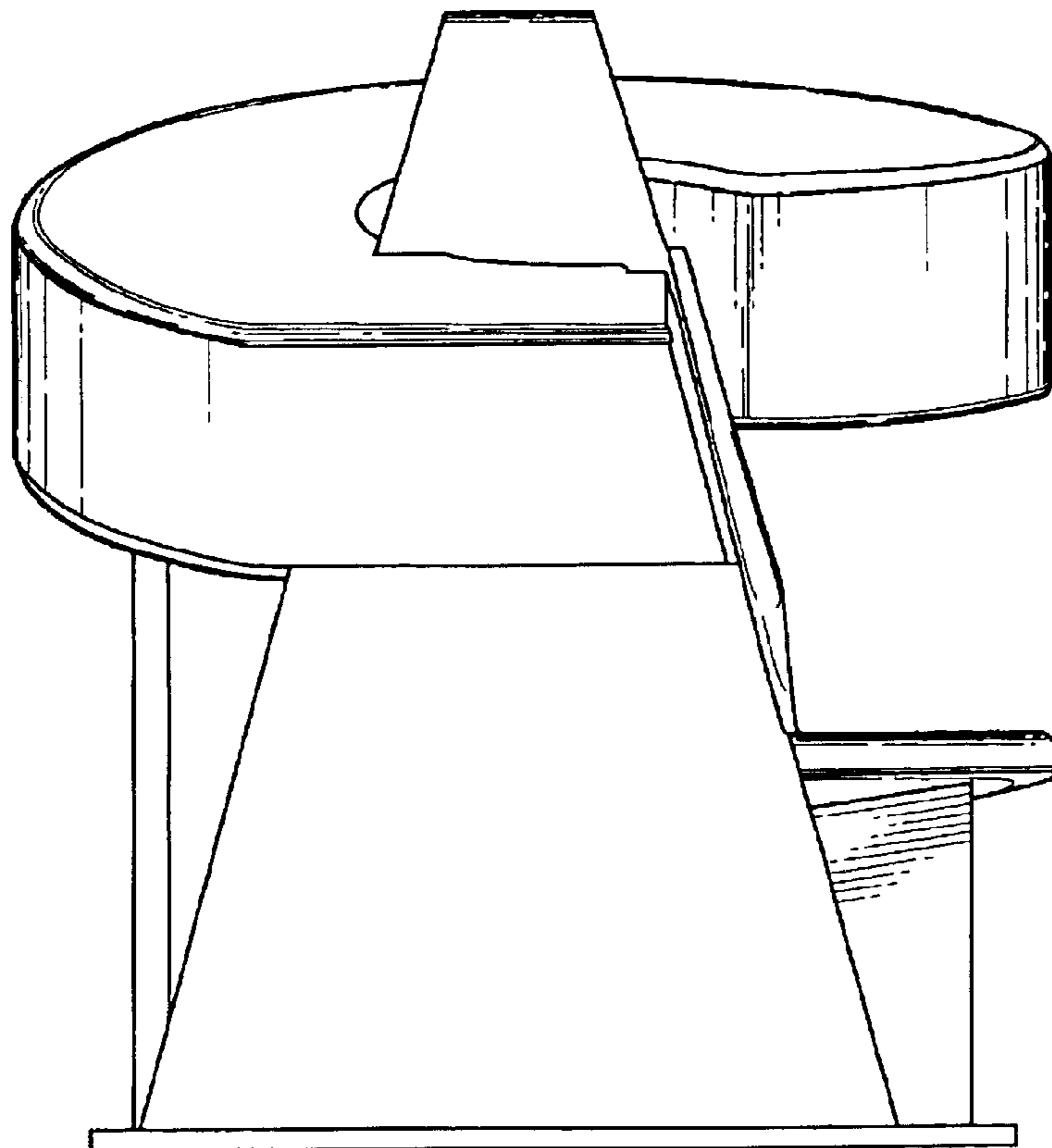
FIG - 1



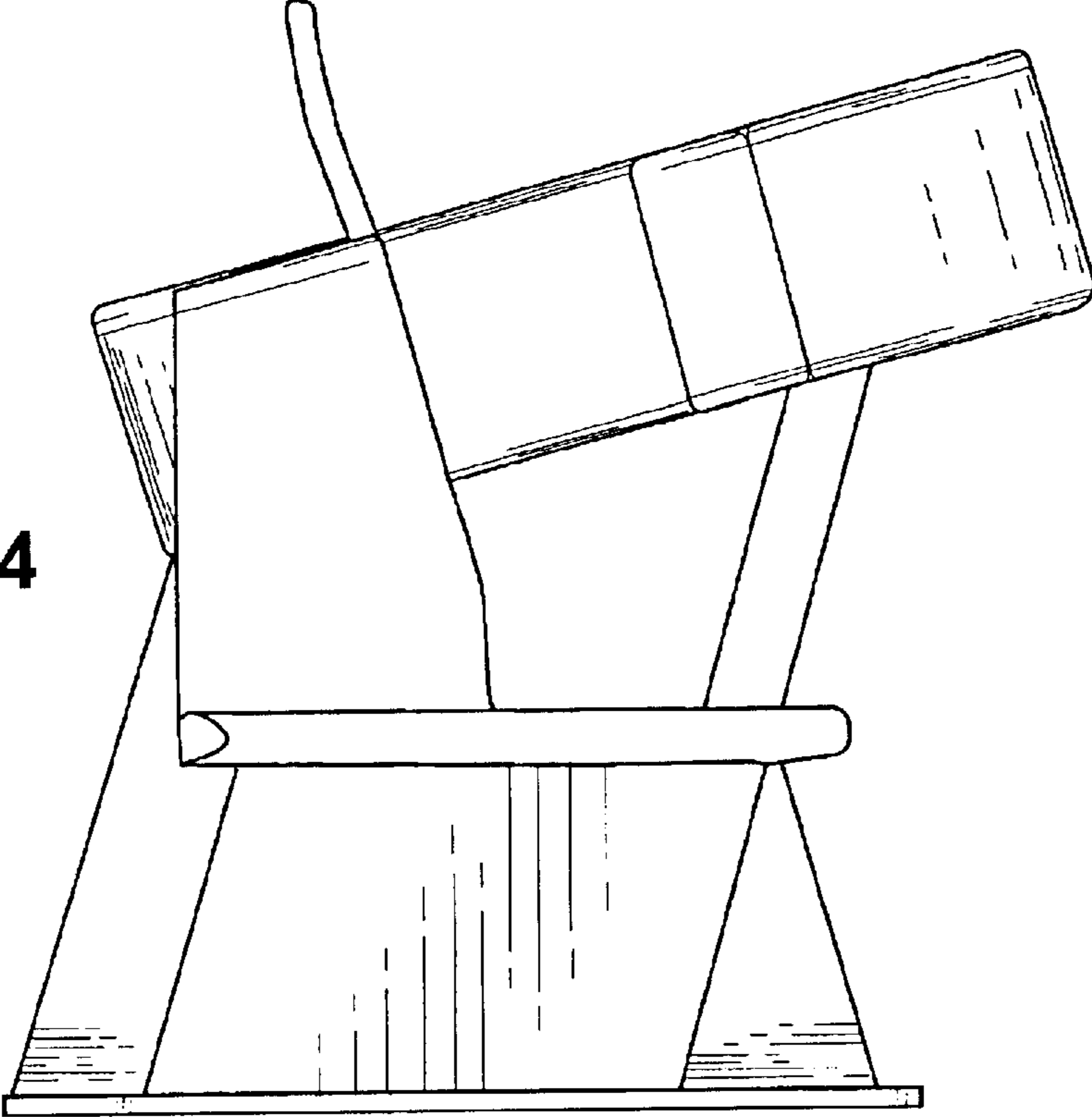
**FIG - 2**



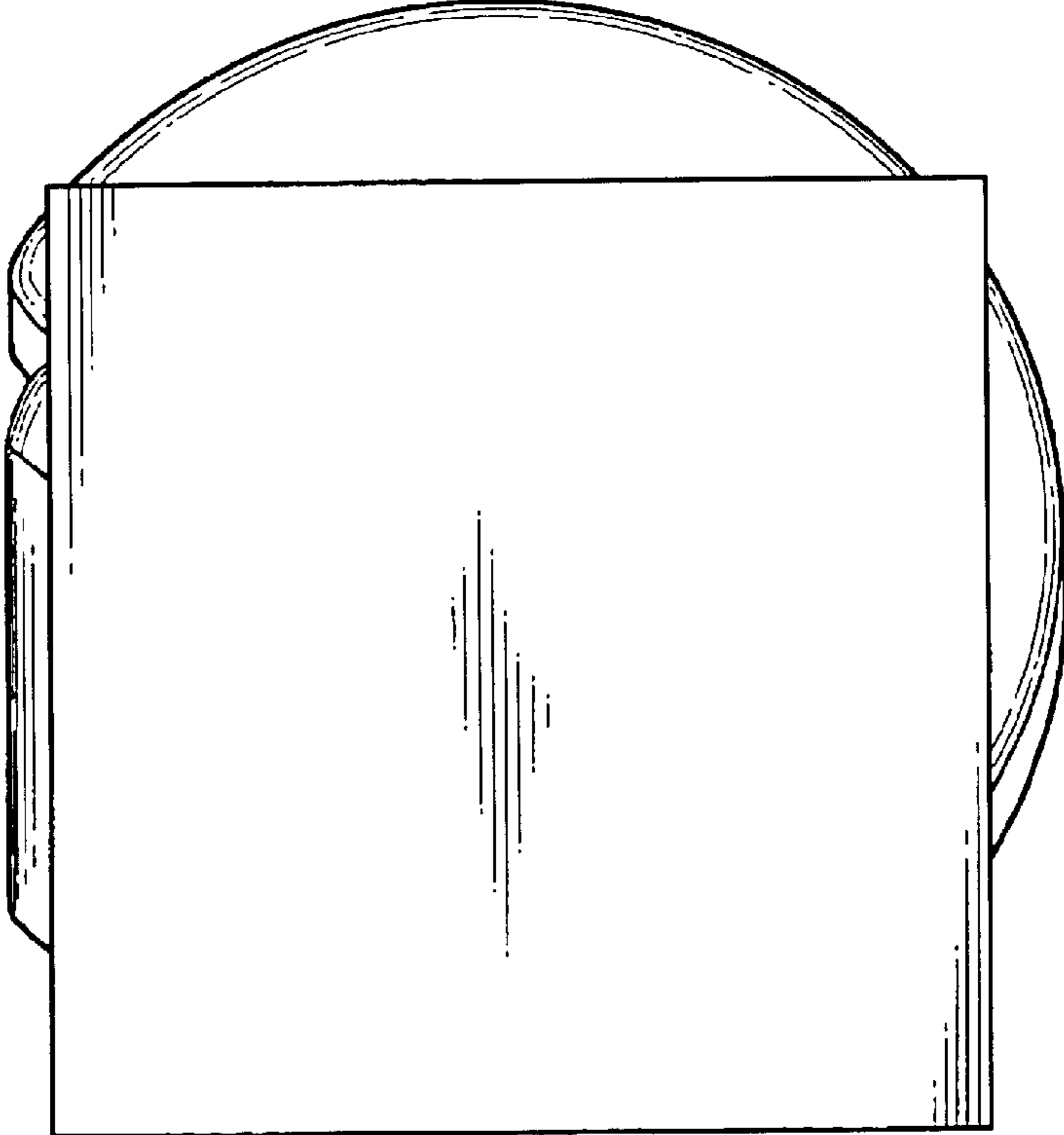
**FIG - 3**



**FIG - 4**



**FIG - 5**



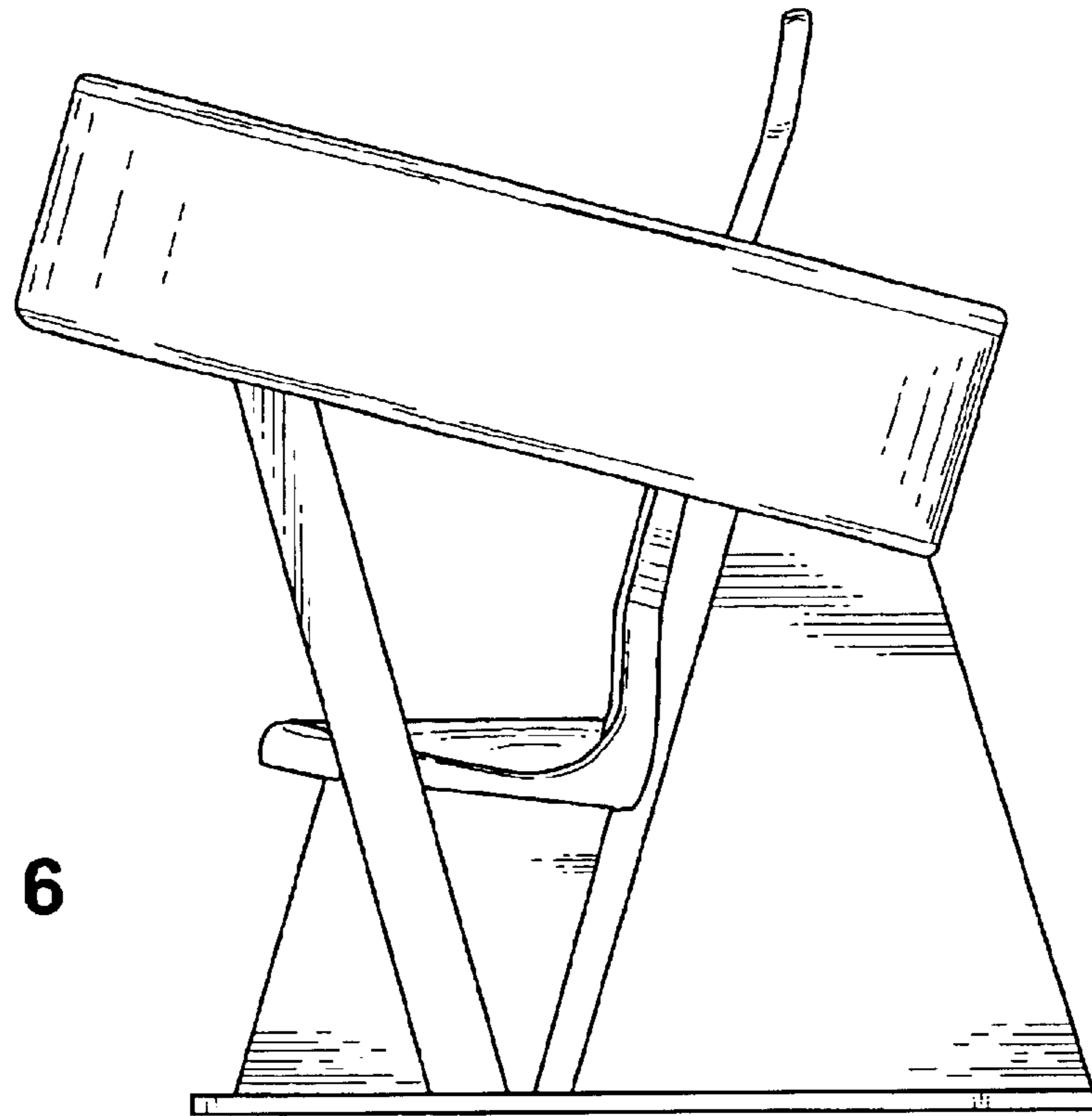


FIG - 6

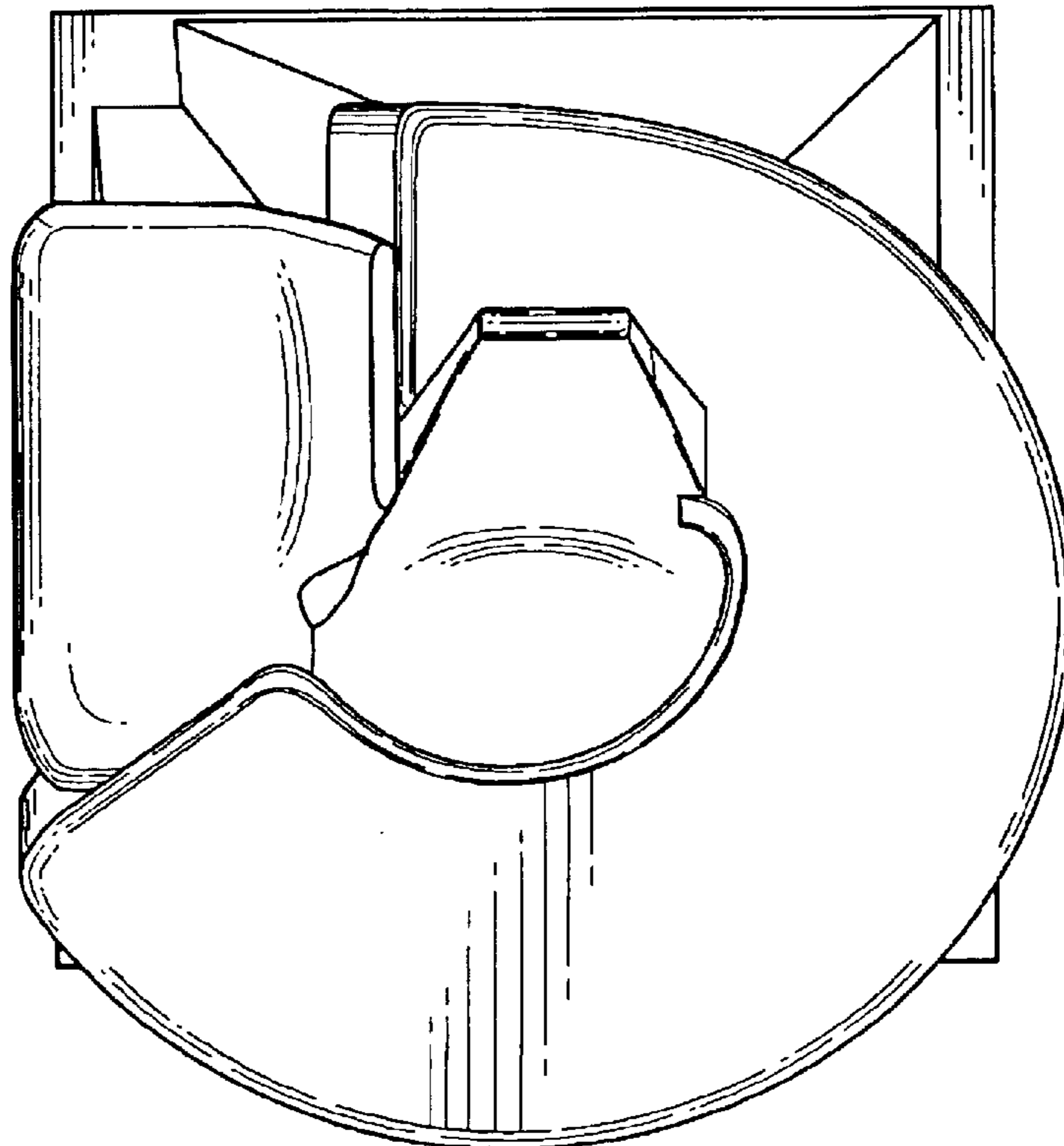


FIG - 7