

US00D492997S1

(12) **United States Design Patent**  
**DiStasio**

(10) **Patent No.:** **US D492,997 S**  
(45) **Date of Patent:** **\*\* Jul. 13, 2004**

(54) **CONFOCAL MICROSCOPE HAVING A POSITIONABLE IMAGING HEAD FOR CELLULAR IMAGING OF SKIN, OTHER LIVING TISSUE AND BIOLOGICAL PROCESSES**

5,969,846 A \* 10/1999 Kishi ..... 359/227  
D426,892 S \* 6/2000 Beale et al. .... D24/160  
6,437,910 B1 \* 8/2002 Watanabe ..... 359/368  
6,580,518 B2 \* 6/2003 Eda et al. .... 356/609

\* cited by examiner

(75) Inventor: **Christopher C. DiStasio**, Rochester, NY (US)

*Primary Examiner*—Stella Reid

(74) *Attorney, Agent, or Firm*—Kenneth J. Lukacher; Martin Lukacher

(73) Assignee: **Lucid, Inc.**, Rochester, NY (US)

(57) **CLAIM**

(\*\*) Term: **14 Years**

The ornamental design for a confocal microscope having a positionable imaging head for cellular imaging of skin, other living tissue and biological processes, as shown.

(21) Appl. No.: **29/182,119**

**DESCRIPTION**

(22) Filed: **May 20, 2003**

(51) **LOC (7) Cl.** ..... **24-01**

FIG. 1 is an elevational perspective view from the right side of a confocal microscope having a positionable imaging head for cellular imaging of skin, other living tissue and biological processes;

(52) **U.S. Cl.** ..... **D24/158**

FIG. 2 is a top perspective view thereof;

(58) **Field of Search** ..... D24/158; 356/609; 359/227, 235, 368, 369, 386

FIG. 3 is a front elevation view thereof;

FIG. 4 is a top view thereof;

FIG. 5 is a right side elevation thereof;

FIG. 6 is a bottom view thereof; and,

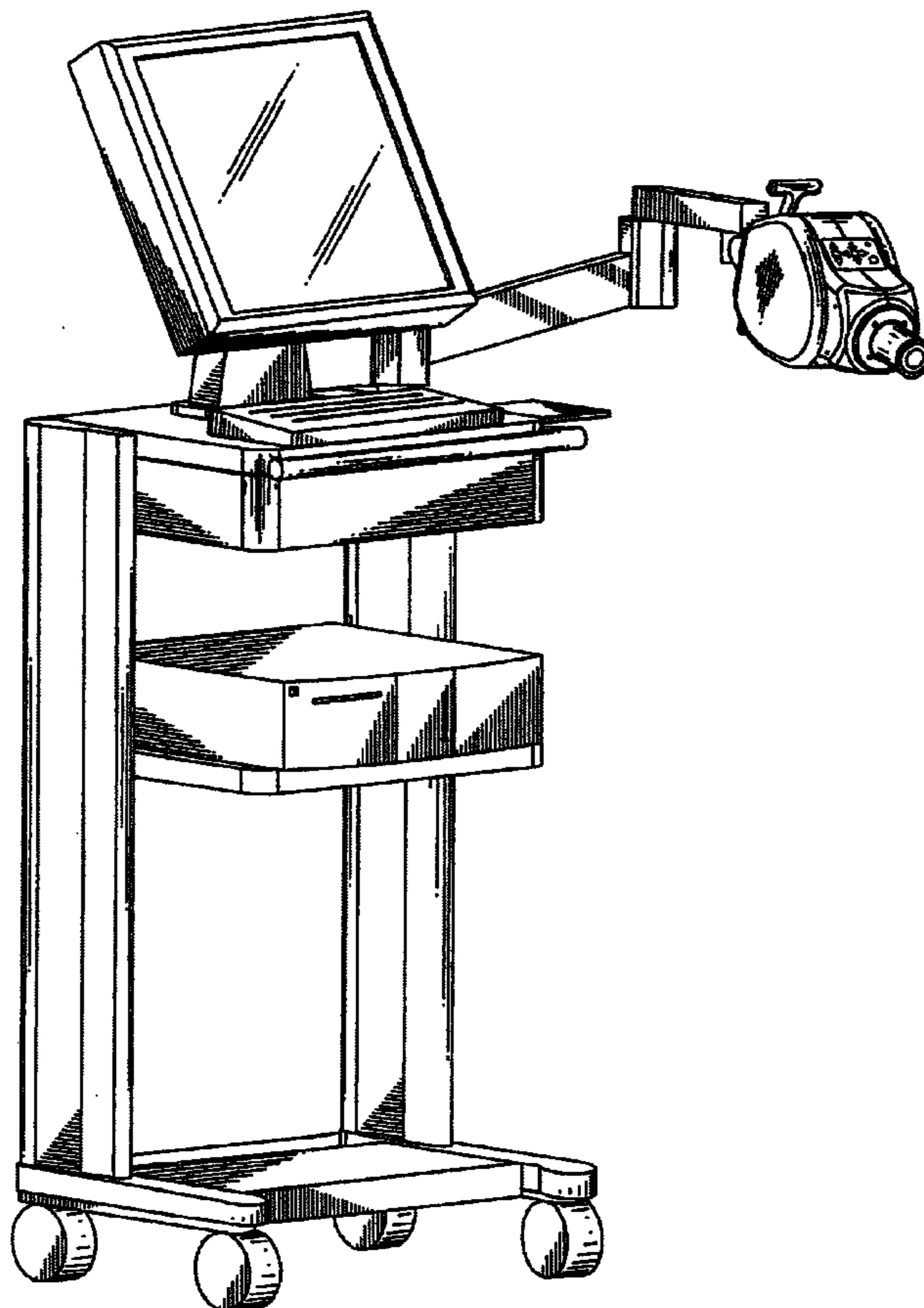
FIG. 7 is an enlarged fragmented perspective view of the imaging head portion thereof.

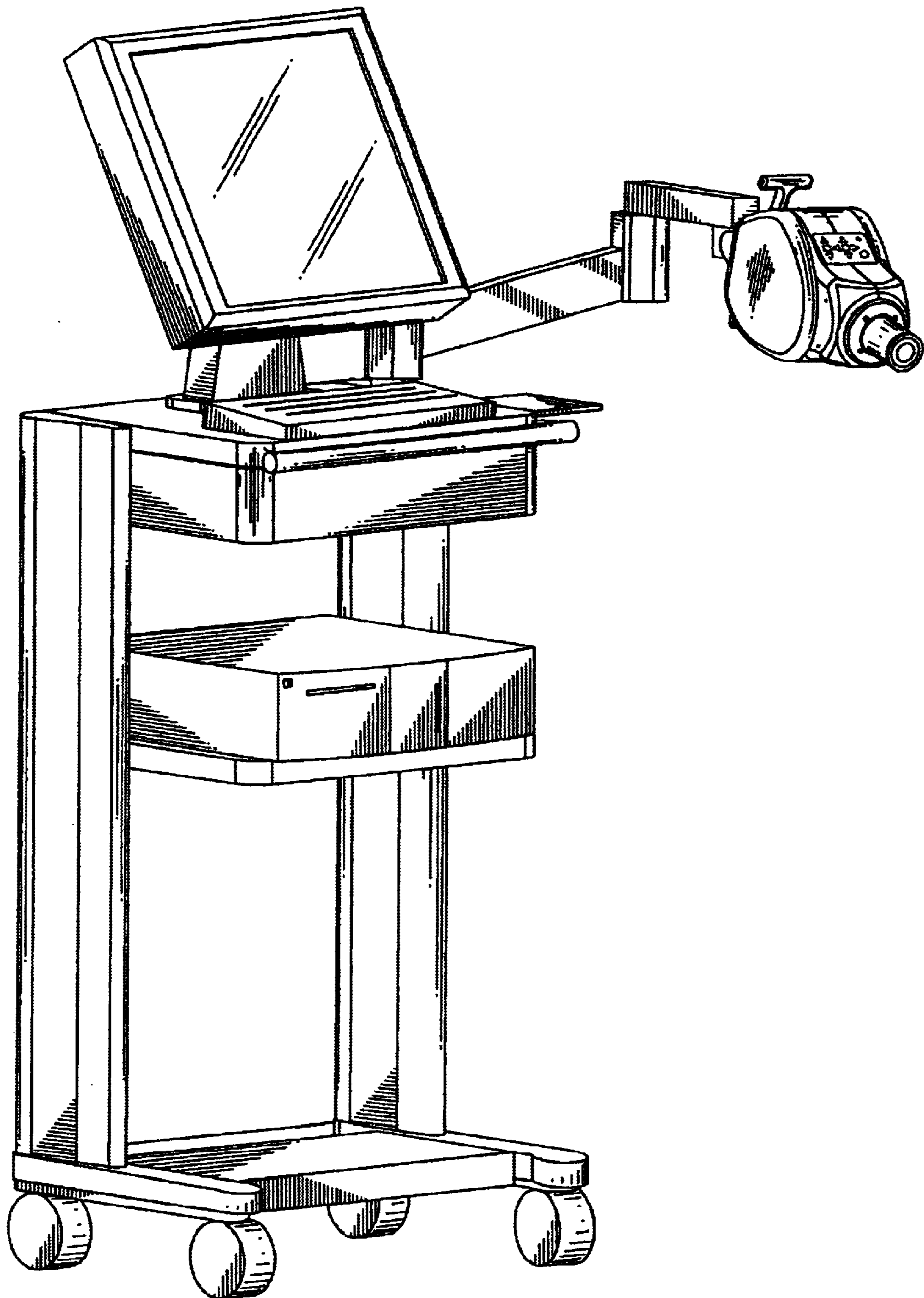
(56) **References Cited**

**U.S. PATENT DOCUMENTS**

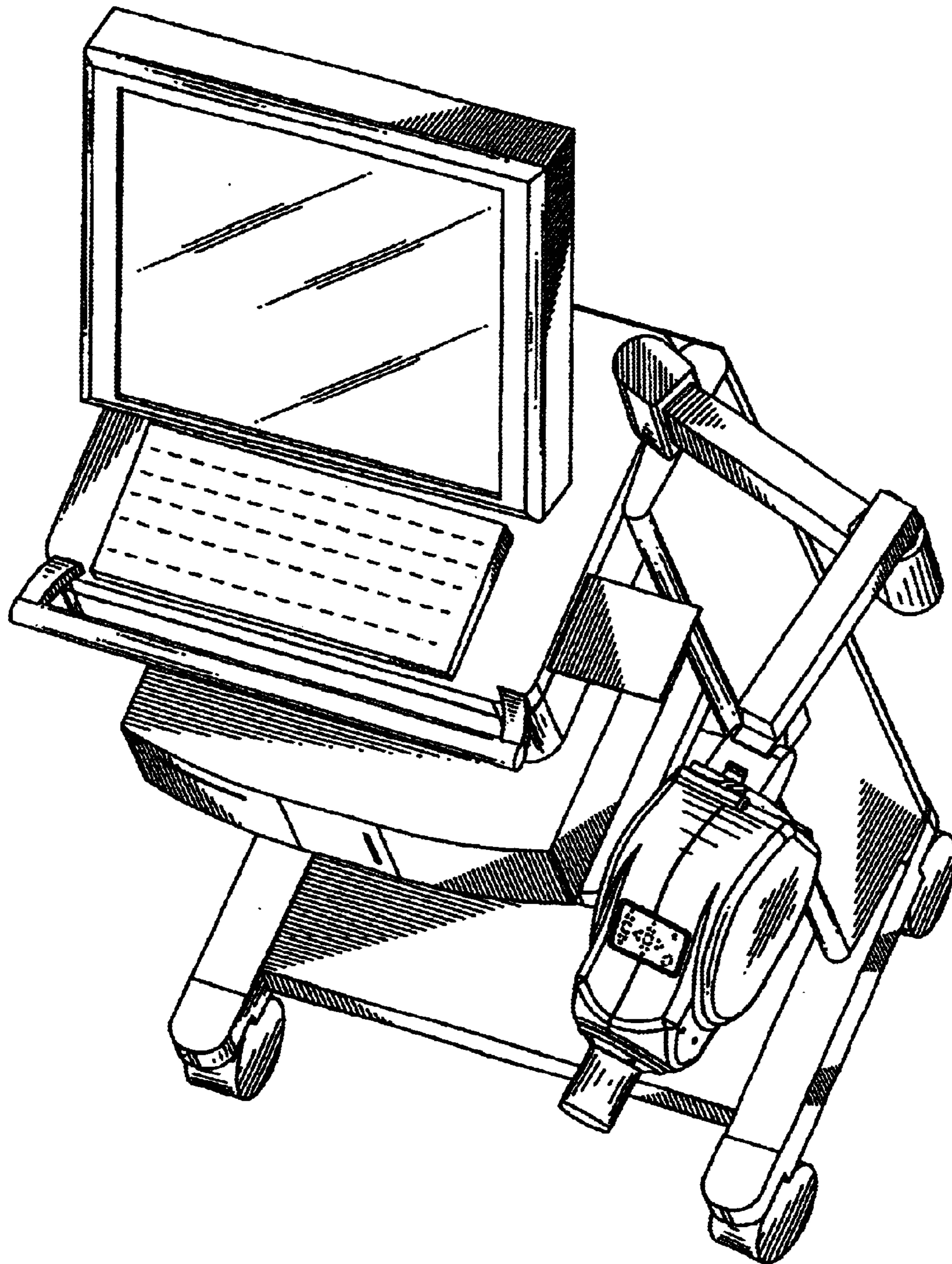
4,695,271 A \* 9/1987 Goethel ..... 604/506  
5,067,805 A \* 11/1991 Corle et al. .... 359/235  
5,659,642 A \* 8/1997 King et al. .... 385/16  
D391,638 S \* 3/1998 Coons et al. .... D24/160  
5,788,639 A 8/1998 Zavislan et al.  
5,880,880 A 3/1999 Anderson et al.

**1 Claim, 7 Drawing Sheets**

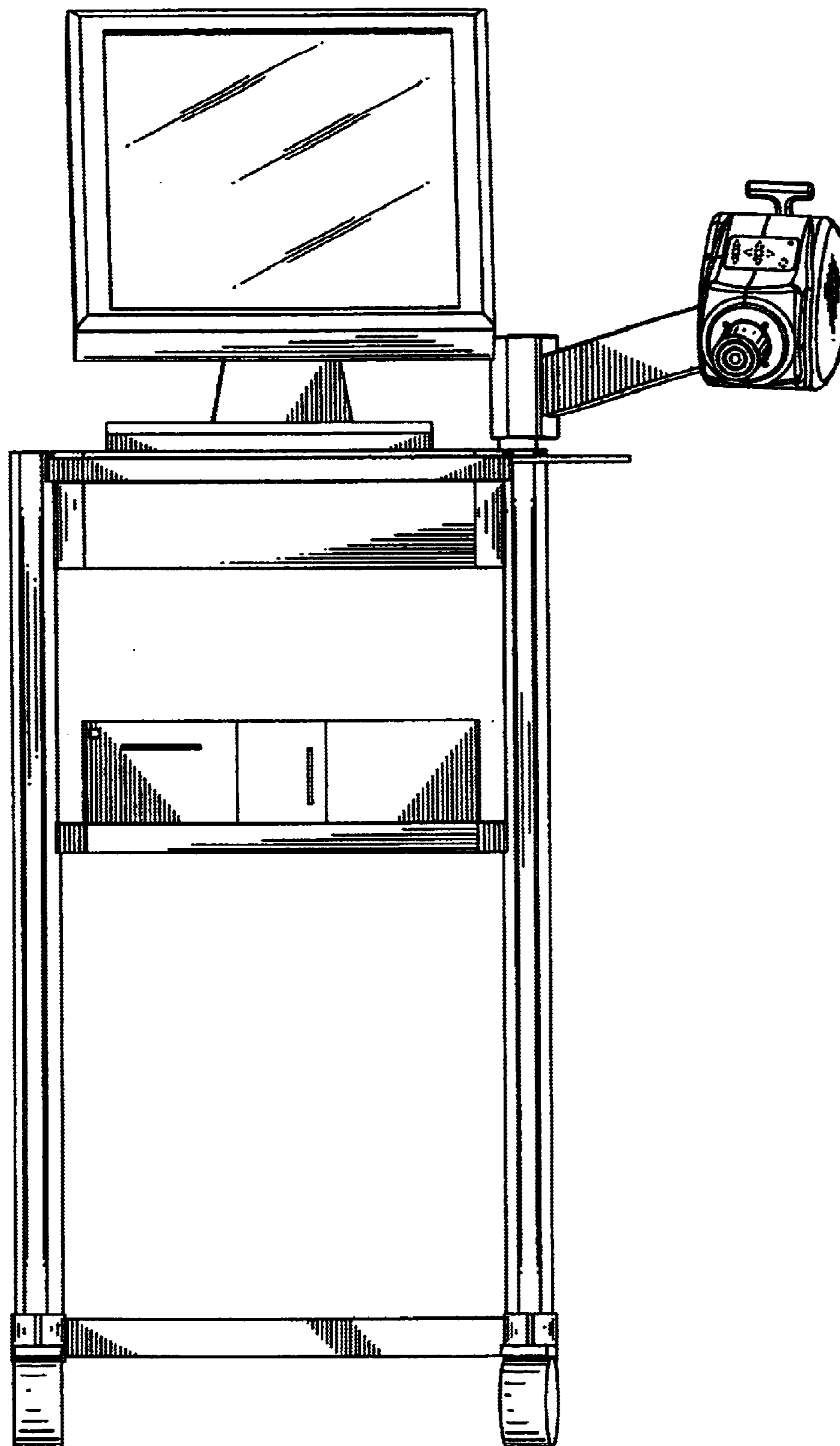




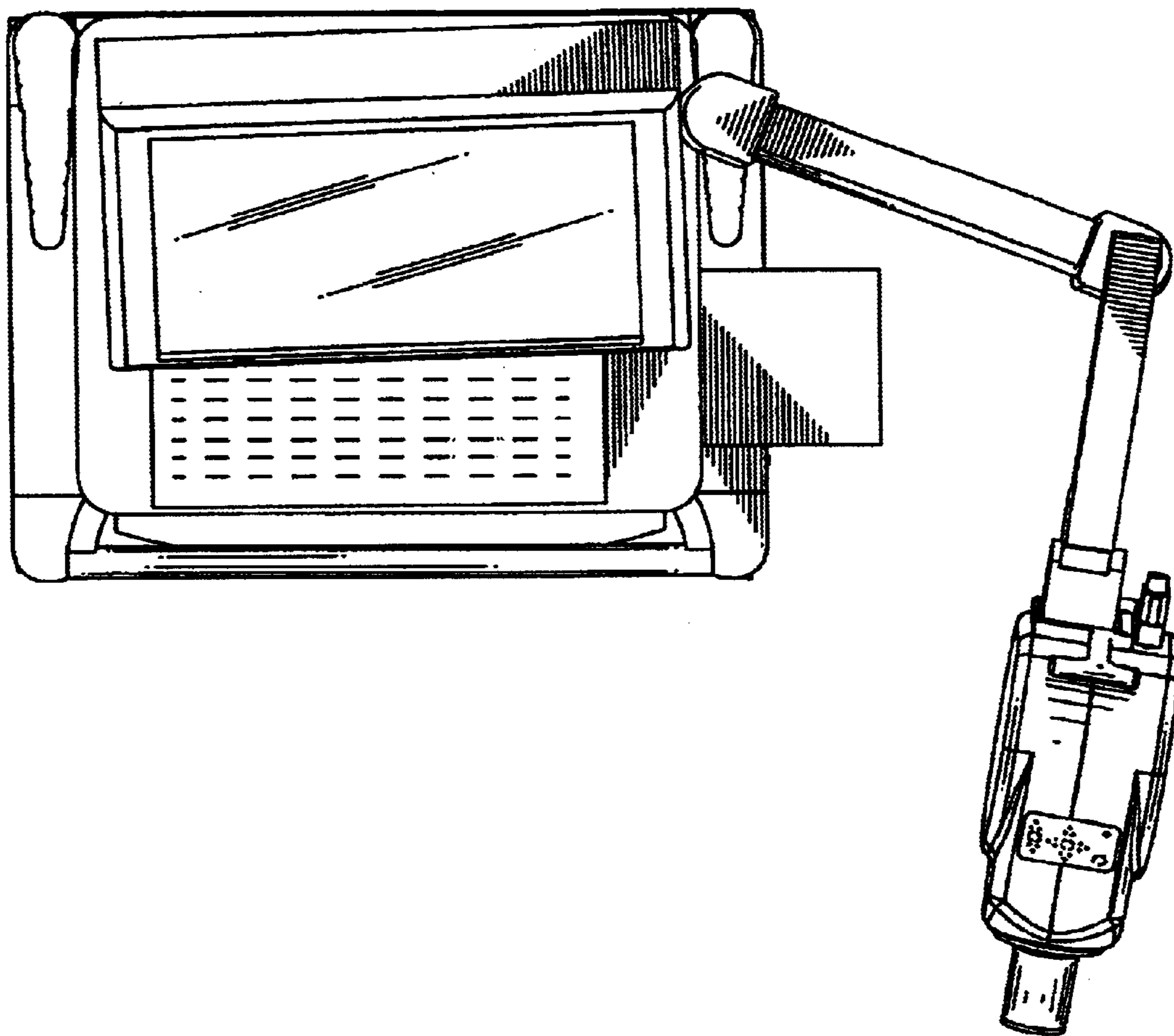
**FIG. 1**



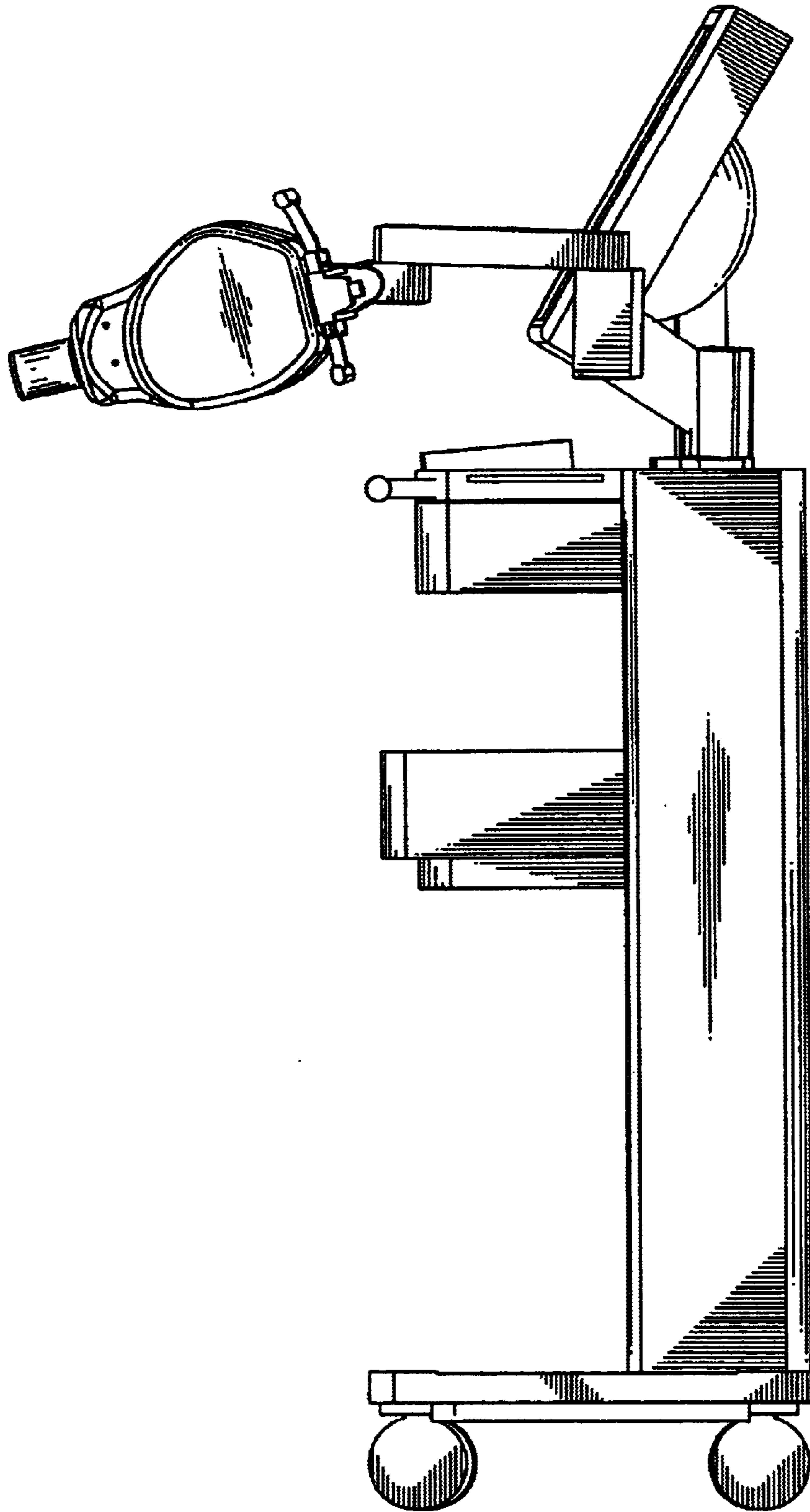
**FIG. 2**



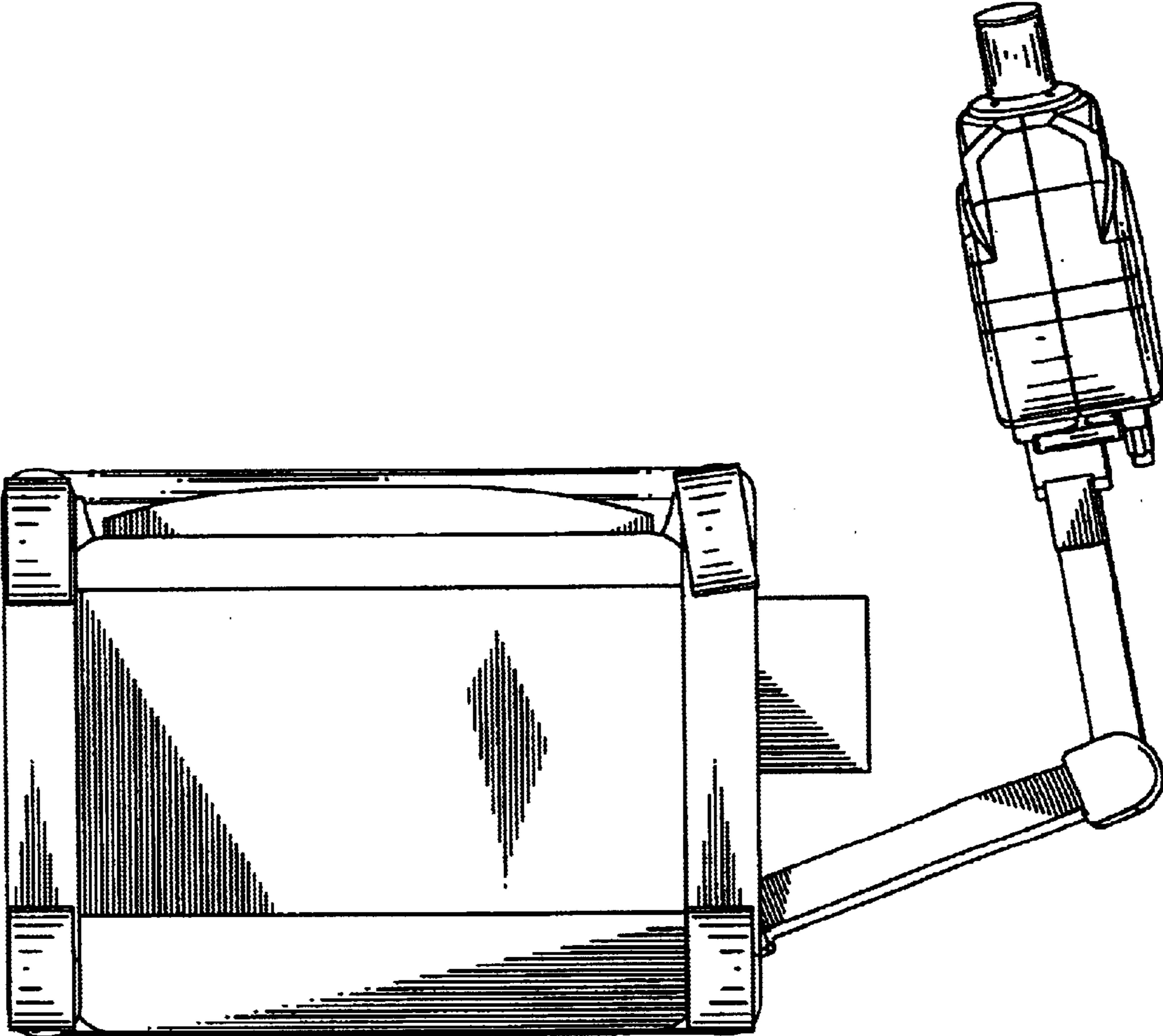
**FIG. 3**



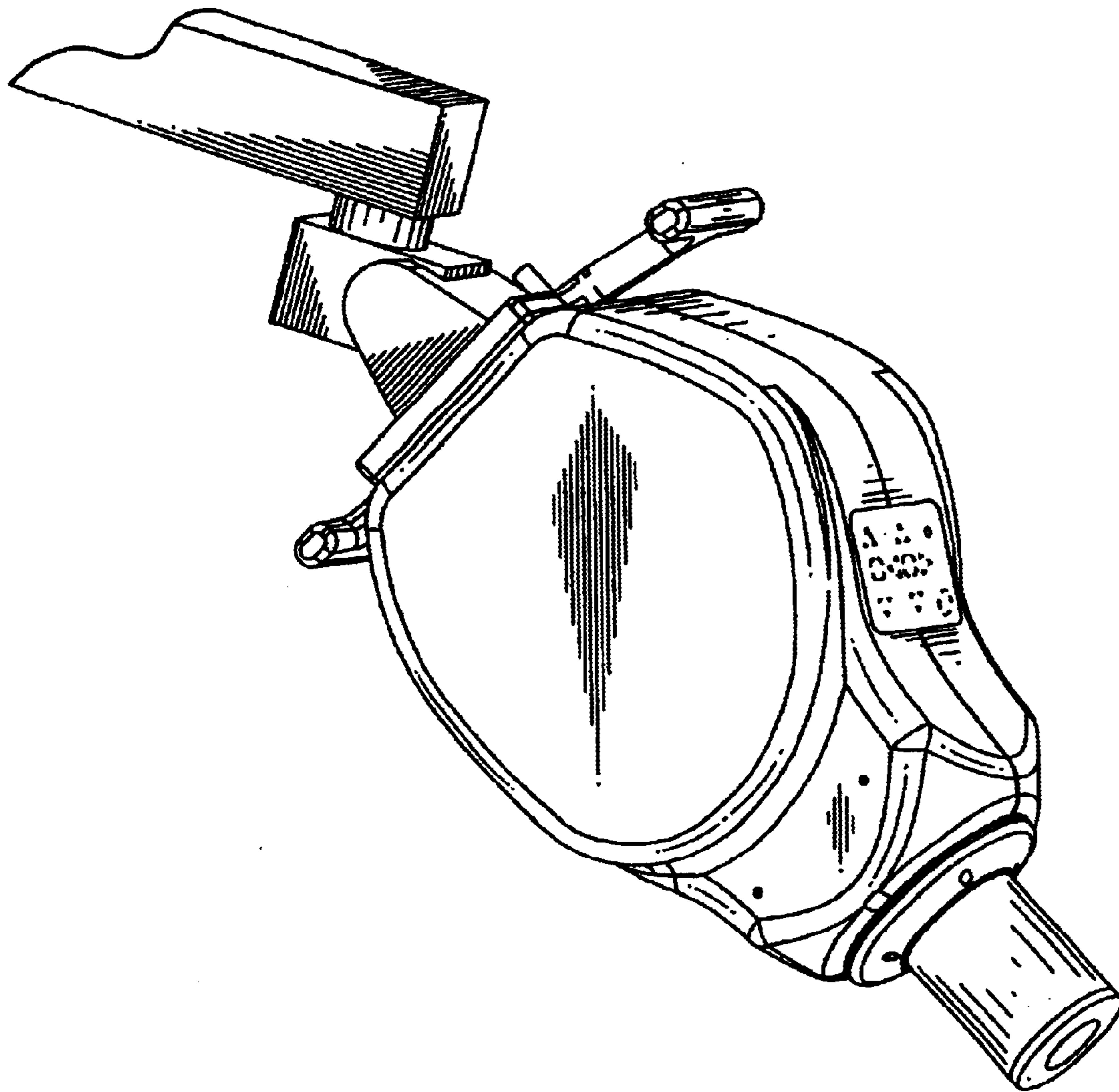
**FIG. 4**



**FIG. 5**



**FIG. 6**



**FIG. 7**