



US00D492988S1

(12) **United States Design Patent**
Sorkin

(10) **Patent No.:** **US D492,988 S**
(45) **Date of Patent:** **** Jul. 13, 2004**

(54) **MONOSTRAND DUCT**

(76) **Inventor:** **Felix L. Sorkin**, 13022 Trinity Dr.,
Stafford, TX (US) 77477

(**) **Term:** **14 Years**

(21) **Appl. No.:** **29/183,462**

(22) **Filed:** **Jun. 13, 2003**

(51) **LOC (7) Cl.** **23-03**

(52) **U.S. Cl.** **D23/393**

(58) **Field of Search** D23/386, 393,
D23/421, 499; 138/106, 128, 155, 172,
177, 178, DIG. 11; 454/306-307, 370

(56) **References Cited**

U.S. PATENT DOCUMENTS

5,439,035	A	*	8/1995	Dal Palu	138/177
D400,670	S	*	11/1998	Sorkin	D23/393
6,659,135	B2	*	12/2003	Sorkin	138/177
6,666,233	B1	*	12/2003	Sorkin	138/177

* cited by examiner

Primary Examiner—Louis S. Zarfes

Assistant Examiner—Robert A Delehanty

(74) *Attorney, Agent, or Firm*—Harrison & Egbert

(57) **CLAIM**

I claim the ornamental design for a monostrand duct, as shown and described.

DESCRIPTION

FIG. 1 is an upper perspective view of the monostrand duct showing my design.

FIG. 2 is a side view thereof, wherein an opposite side view is a mirror image thereof;

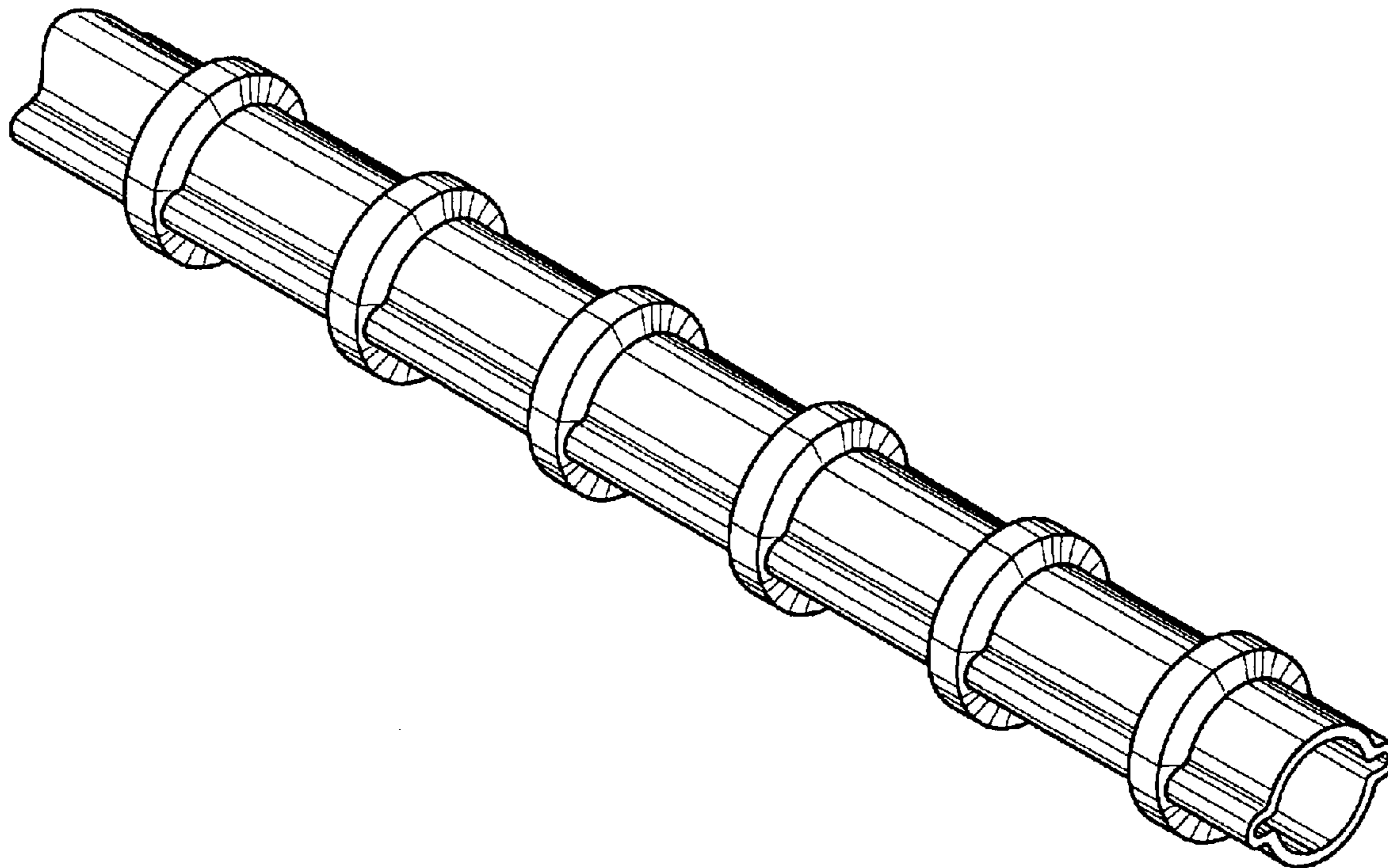
FIG. 3 is top plan view thereof, wherein a bottom view is a mirror image thereof;

FIG. 4 is an end view thereof; and,

FIG. 5 is a side elevation view thereof, showing a cable extending therethrough.

The broken line showing of a cable is for illustrative purposes only and forms no part of the claimed design.

1 Claim, 2 Drawing Sheets



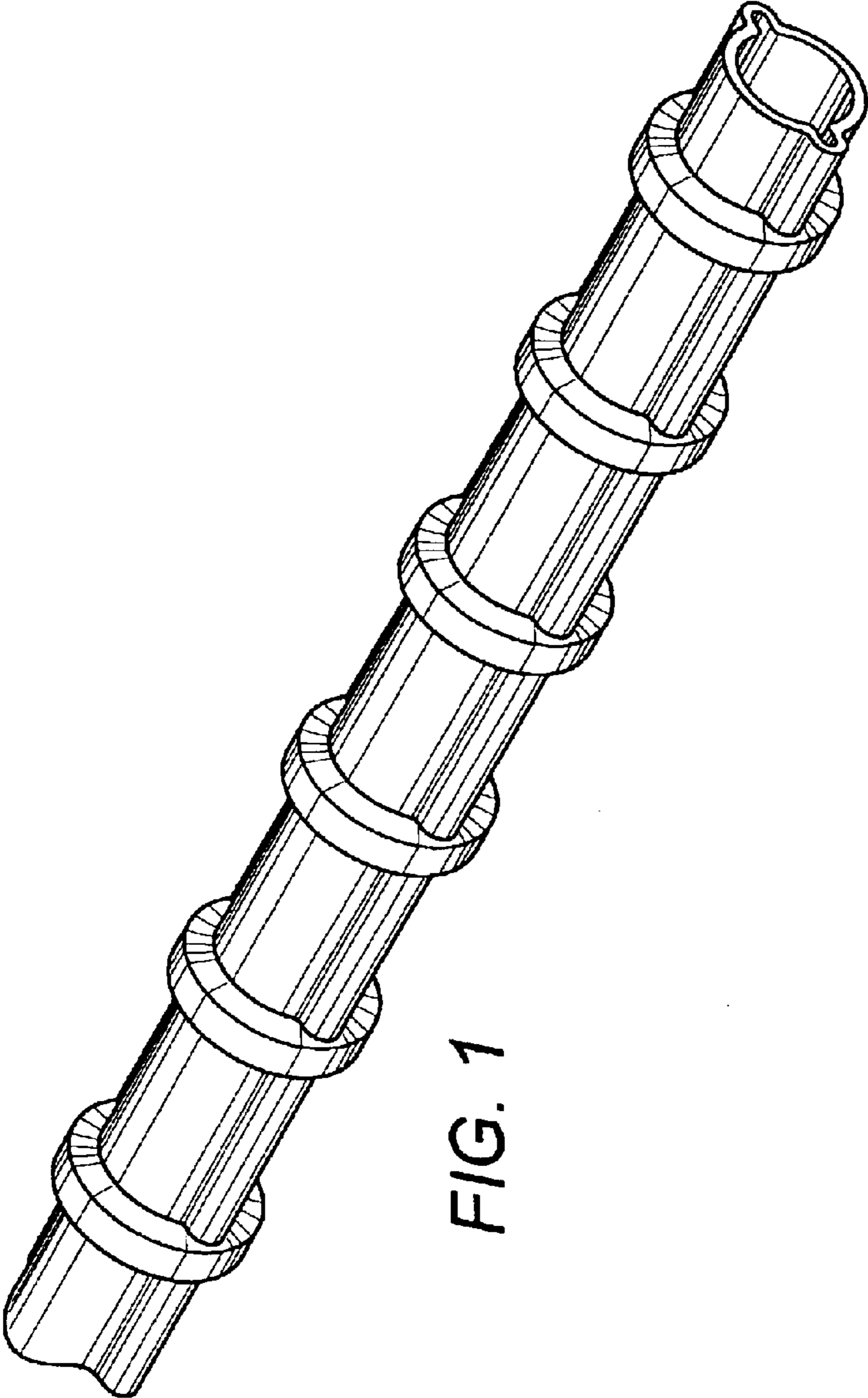
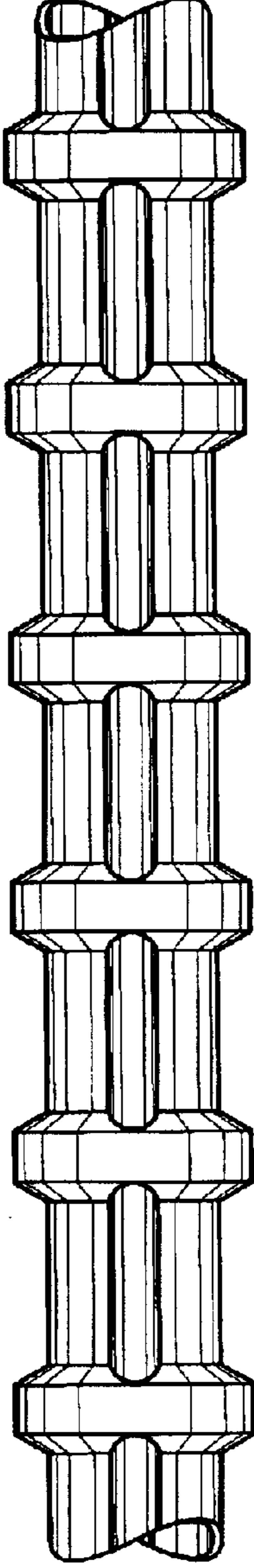


FIG. 1

FIG. 2



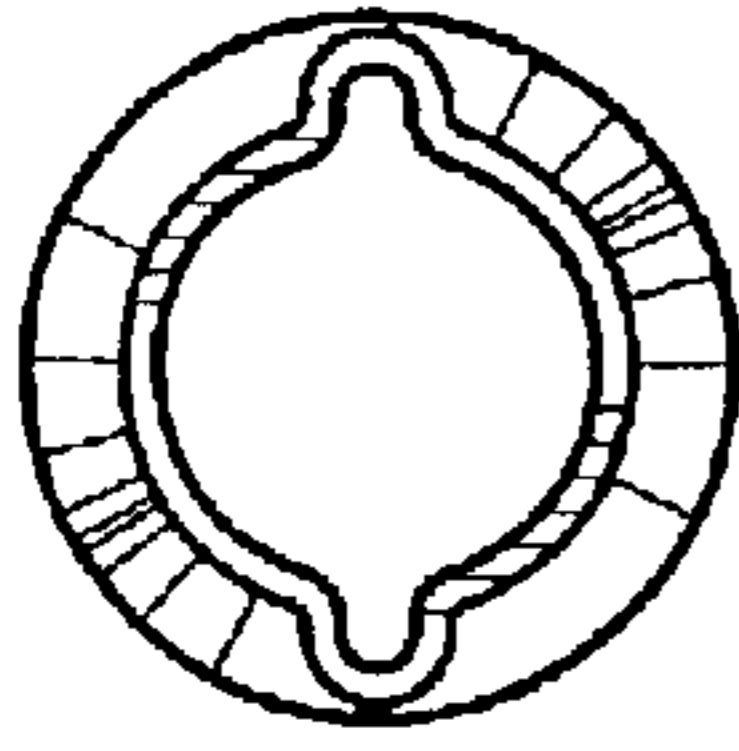


FIG. 4

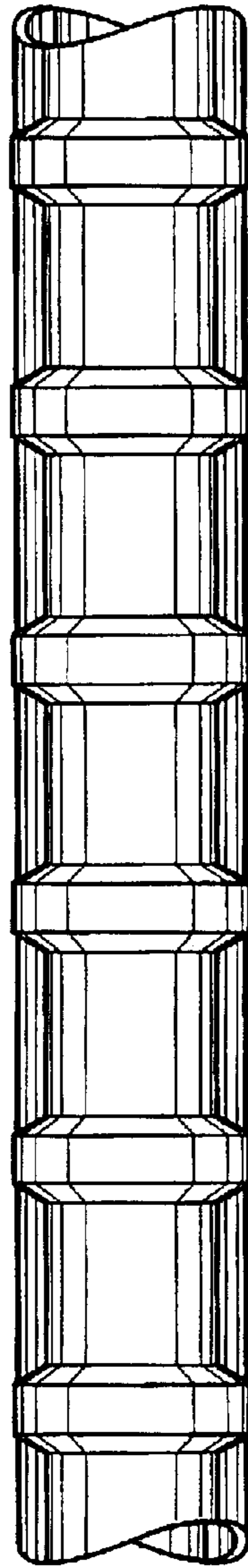


FIG. 3

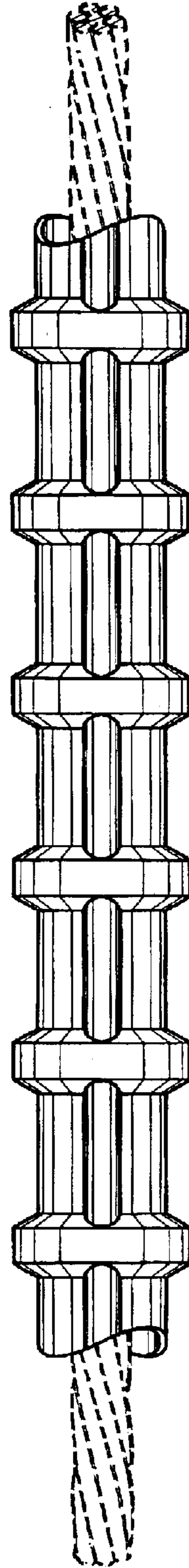


FIG. 5