



US00D492987S1

(12) **United States Design Patent**
Sorkin

(10) **Patent No.:** **US D492,987 S**
(45) **Date of Patent:** **** Jul. 13, 2004**

(54) **THREE CHANNEL DUCT**

6,666,233 B1 * 12/2003 Sorkin 138/177

(76) **Inventor:** **Felix L. Sorkin**, 13022 Trinity Dr.,
Stafford, TX (US) 77477

* cited by examiner

(**) **Term:** **14 Years**

Primary Examiner—Louis S. Zarfaz
Assistant Examiner—Robert A Delehanty
(74) *Attorney, Agent, or Firm*—Harrison & Egbert

(21) **Appl. No.:** **29/175,214**

(57) **CLAIM**

(22) **Filed:** **Jan. 31, 2003**

I claim the ornamental design for a three channel duct, as shown and described.

(51) **LOC (7) Cl.** **23-03**

(52) **U.S. Cl.** **D23/393**

(58) **Field of Search** D23/386, 393,
D23/421, 499; 138/106, 128, 155, 172,
177, 178, DIG. 11; 454/306–307, 370

DESCRIPTION

(56) **References Cited**

U.S. PATENT DOCUMENTS

5,439,035 A * 8/1995 Dal Palu'Attilio 138/177
D400,670 S * 11/1998 Sorkin D23/393
6,659,135 B2 * 12/2003 Sorkin 138/177

FIG. 1 is an upper perspective view of the three channel duct showing my design.

FIG. 2 is a side view thereof, wherein an opposite side view is a mirror image thereof;

FIG. 3 is front view thereof, wherein a back view is a mirror image thereof;

FIG. 4 is a top view thereof; and,

FIG. 5 is a bottom view thereof.

1 Claim, 2 Drawing Sheets

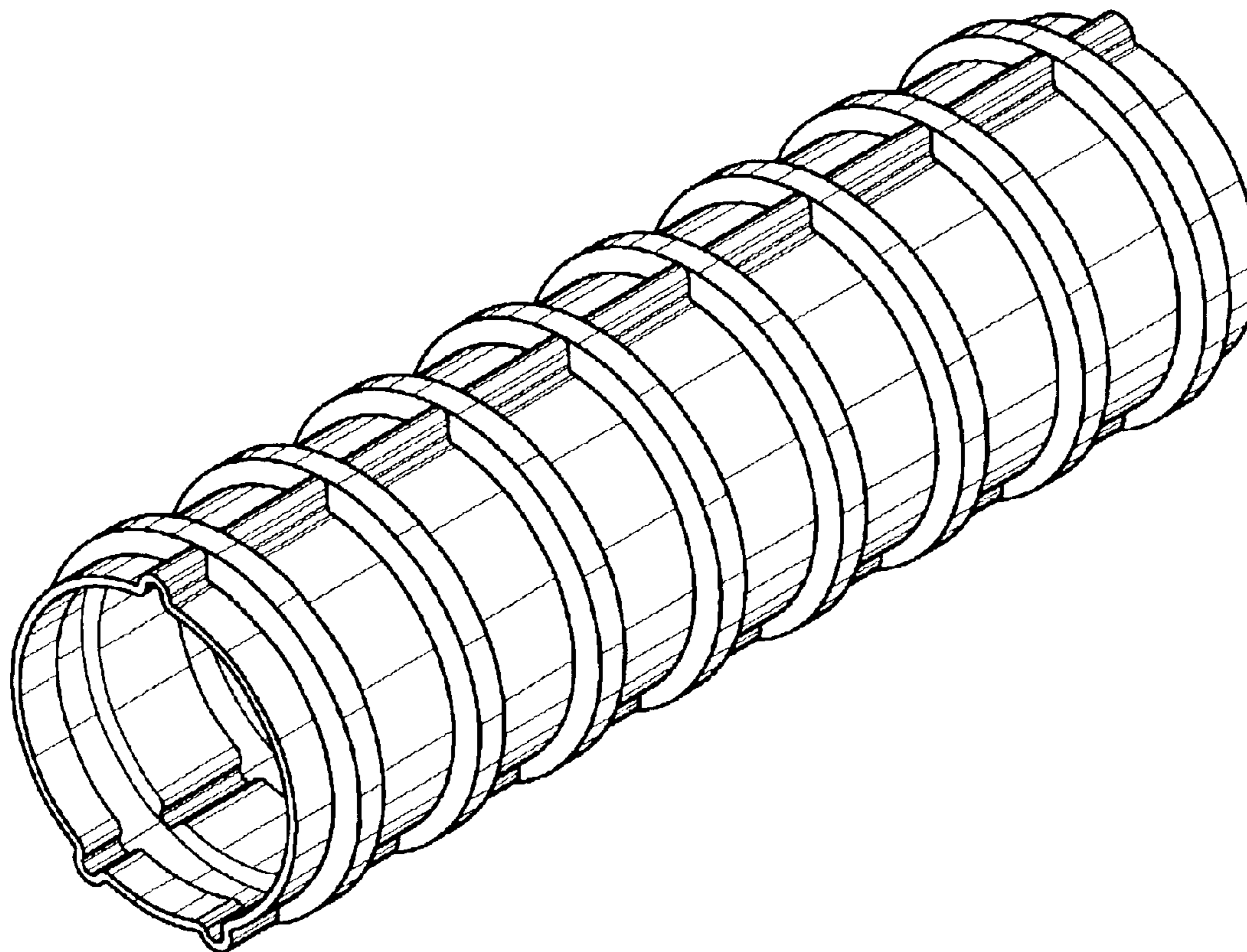


FIG. 1

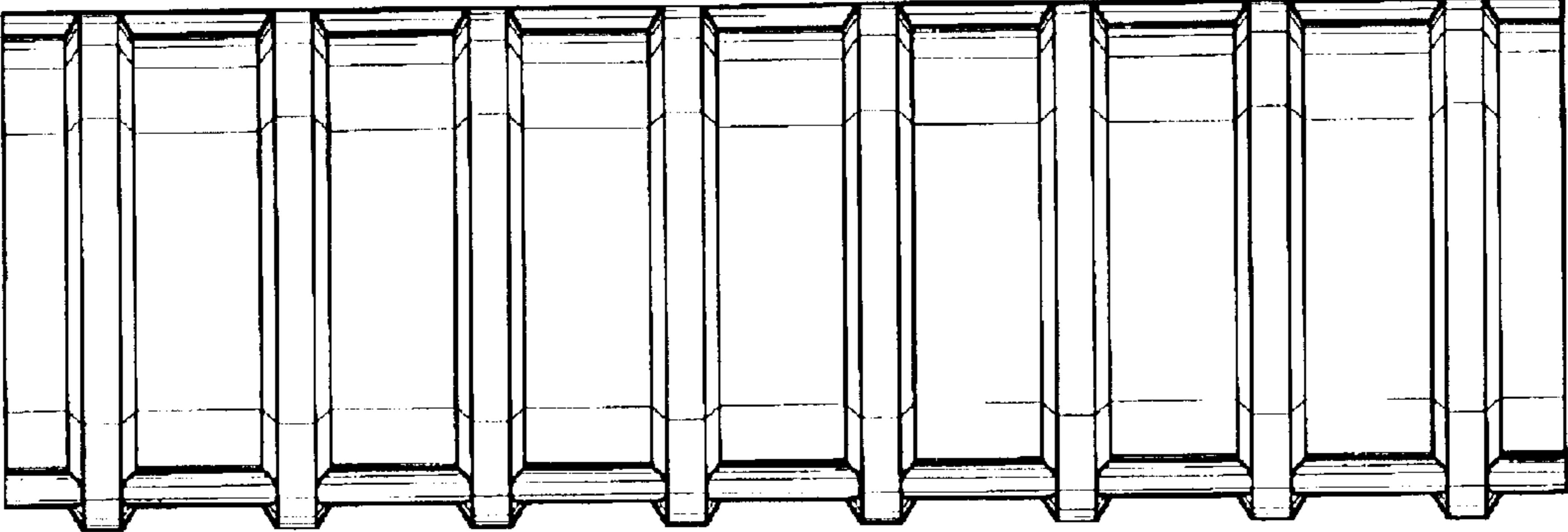
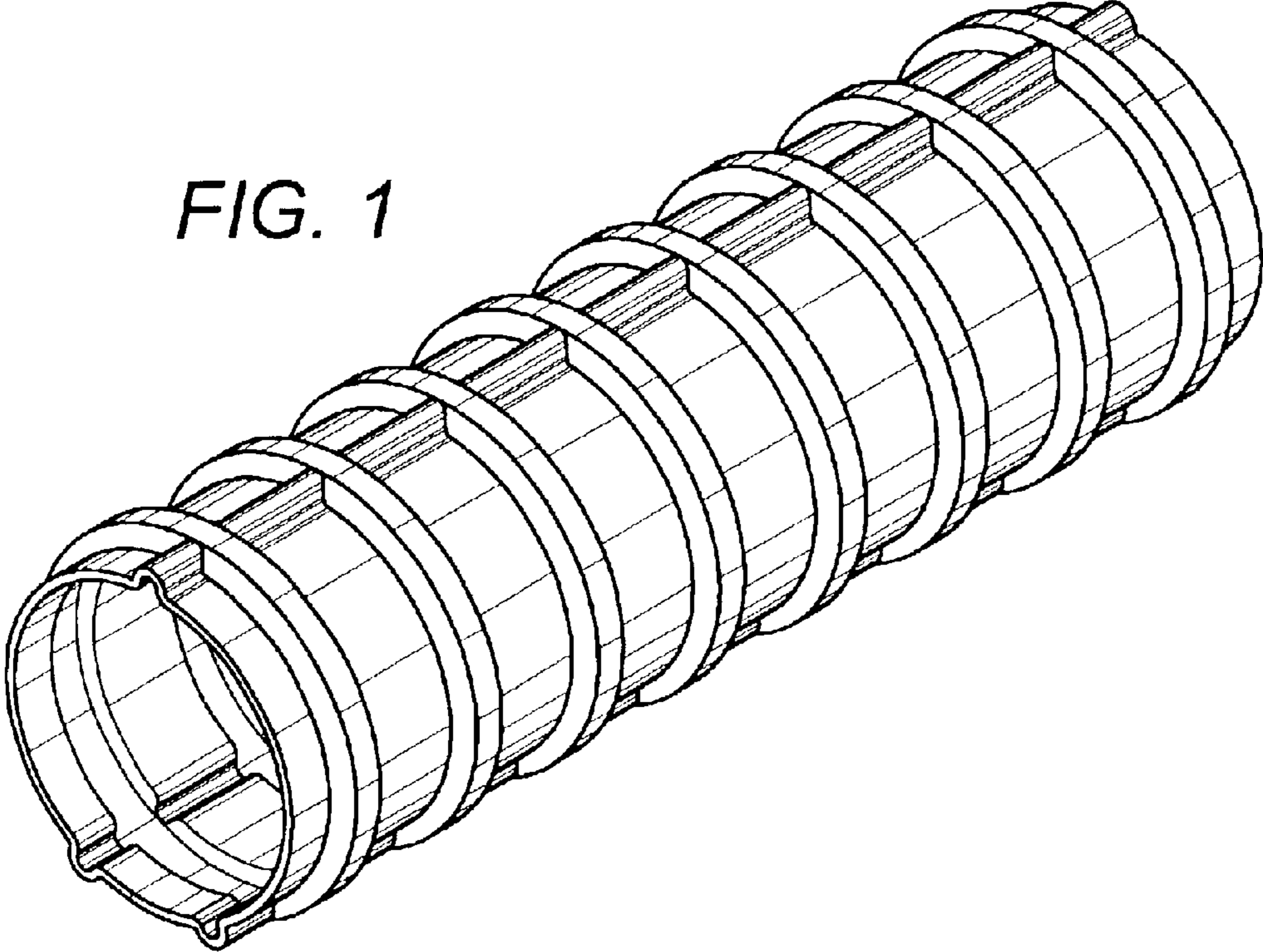


FIG. 2

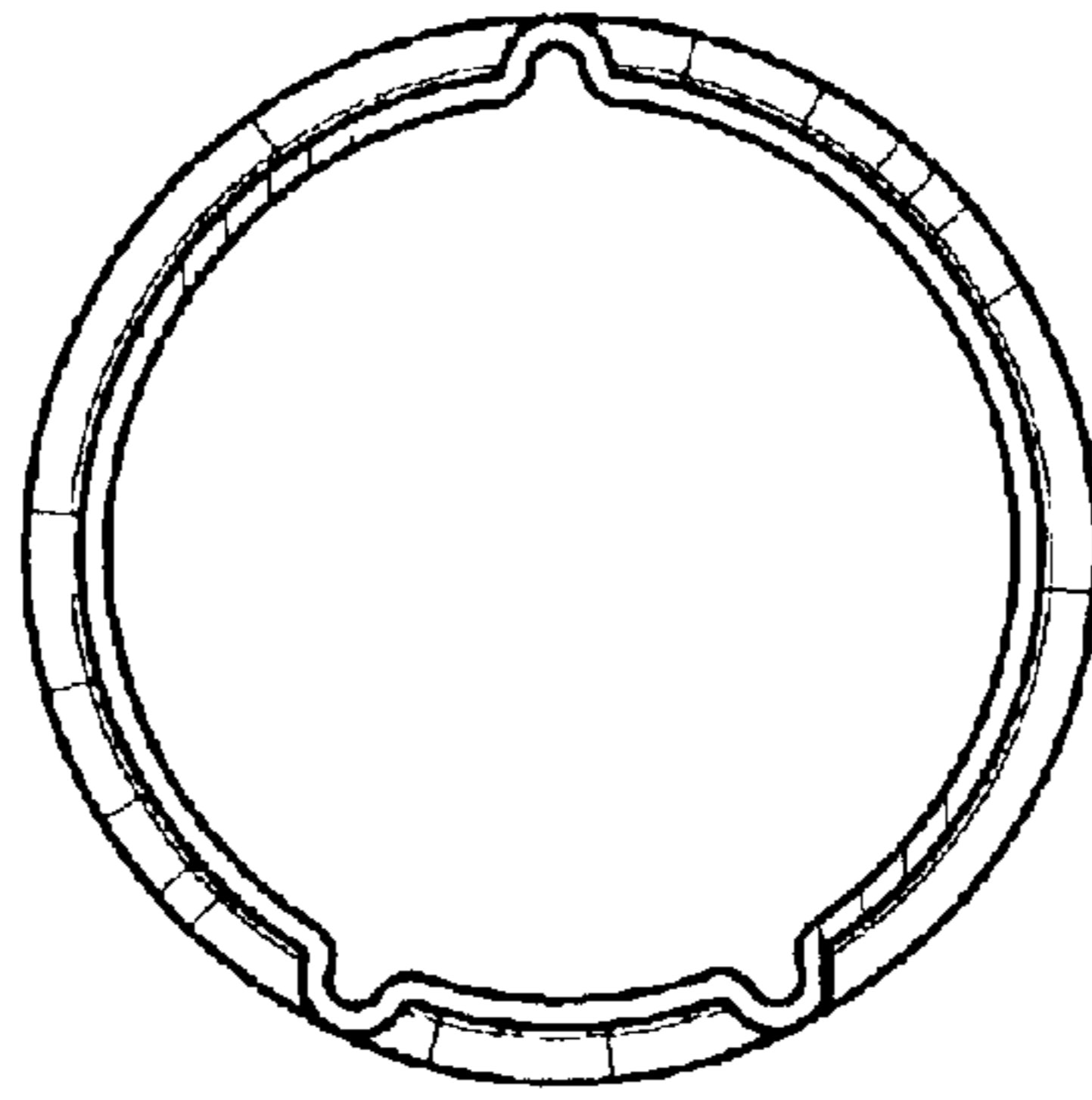


FIG. 3

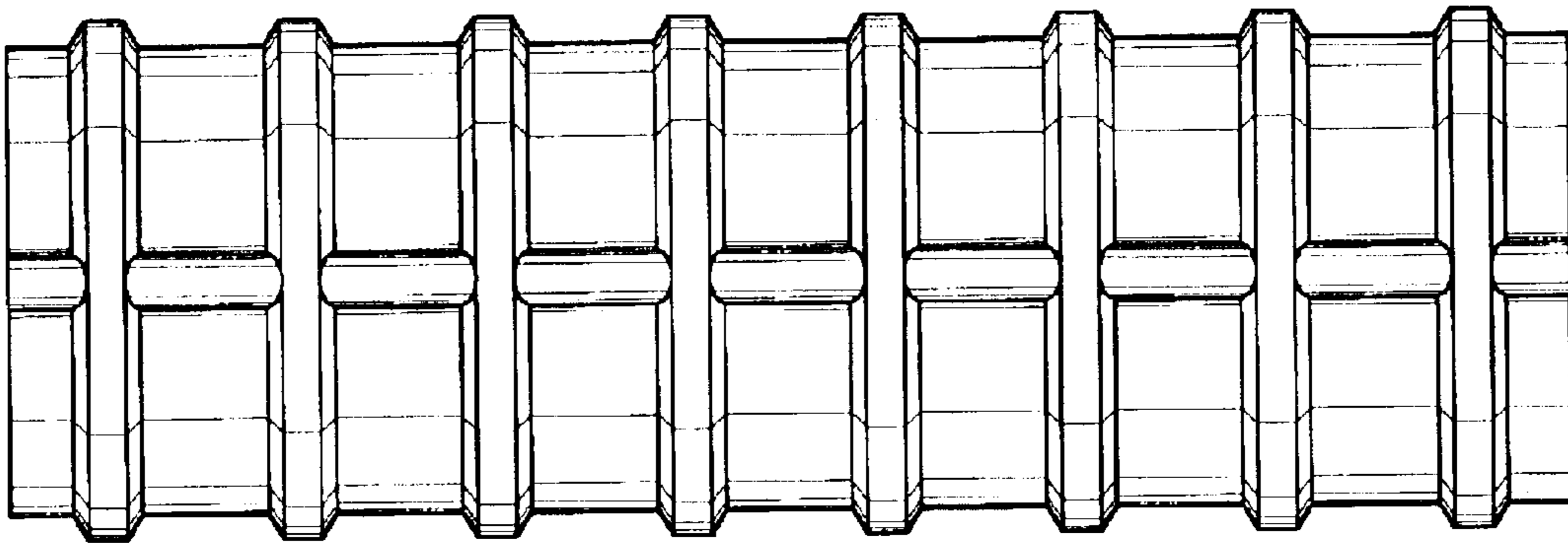


FIG. 4

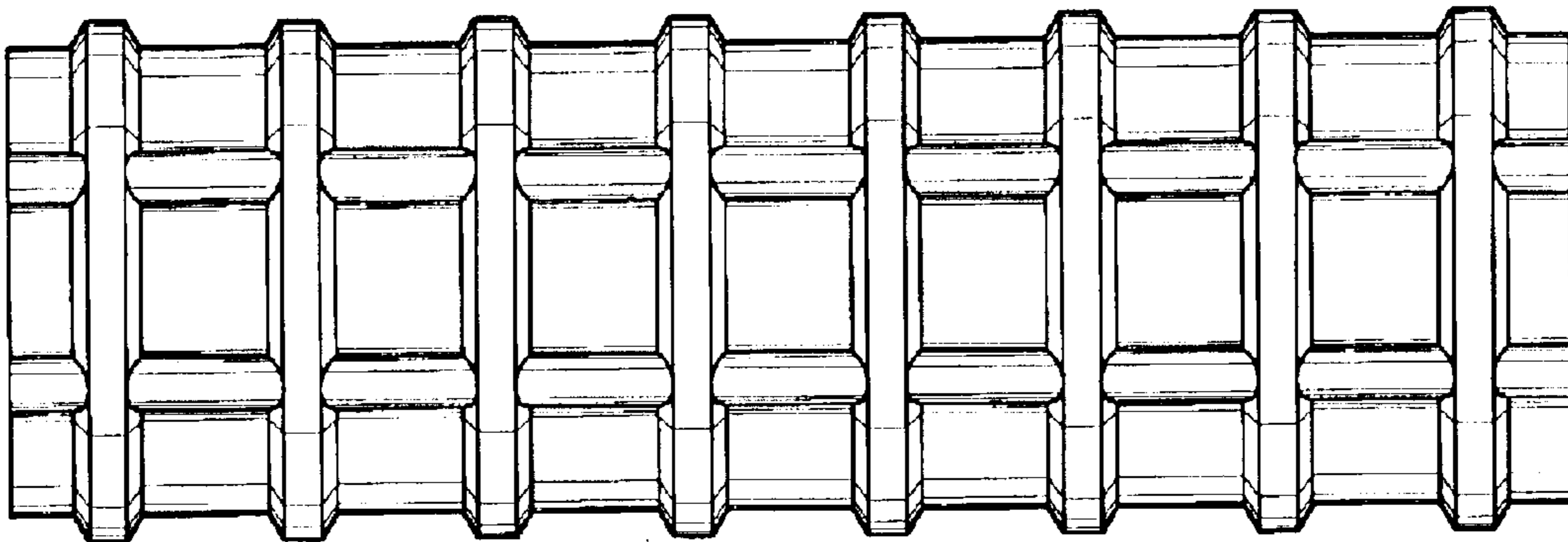


FIG. 5