

US00D492986S1

(12) **United States Design Patent**
Chiu et al.

(10) **Patent No.:** **US D492,986 S**
(45) **Date of Patent:** **** Jul. 13, 2004**

(54) **FAN**

D461,550 S * 8/2002 Hsin-mao D23/370

(75) Inventors: **Yung-Yu Chiu**, Taoyuan (TW);
Shun-Chen Chang, Taoyuan (TW);
Kuo-Cheng Lin, Taoyuan (TW);
Wen-Shi Huang, Taoyuan (TW)

* cited by examiner

Primary Examiner—Lisa Lichtenstein
(74) *Attorney, Agent, or Firm*—Birch, Stewart, Kolasch & Birch, LLP

(73) Assignee: **Delta Electronics Inc.**, Taoyuan Hsien (TW)

(57) **CLAIM**

(**) Term: **14 Years**

The ornamental design for a fan, as shown and described.

(21) Appl. No.: **29/188,490**

DESCRIPTION

(22) Filed: **Aug. 20, 2003**

FIG. 1 is a perspective view of a fan showing our new design;

(51) **LOC (7) Cl.** **23-04**

FIG. 2 is a right side view thereof;

(52) **U.S. Cl.** **D23/370**

FIG. 3 is a top view thereof;

(58) **Field of Search** D23/370, 379;

FIG. 4 is a front view thereof;

415/176, 177, 178, 211.2; 361/697, 695, 694; 165/80.3, 121, 122; D14/114

FIG. 5 is a bottom view thereof;

FIG. 6 is a left side view thereof; and,

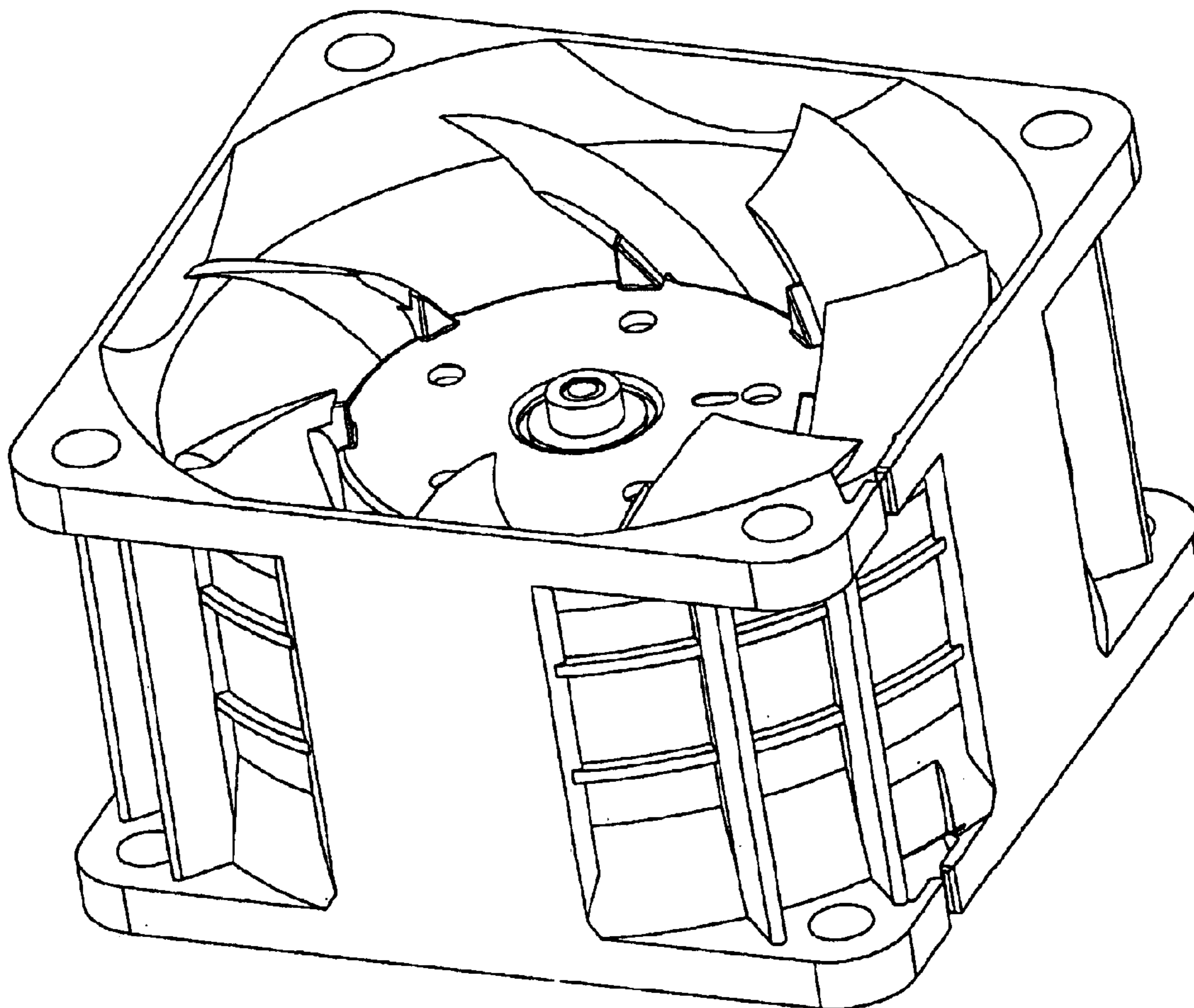
FIG. 7 is a rear view thereof.

(56) **References Cited**

U.S. PATENT DOCUMENTS

D424,186 S * 5/2000 Dodson D23/370

1 Claim, 5 Drawing Sheets



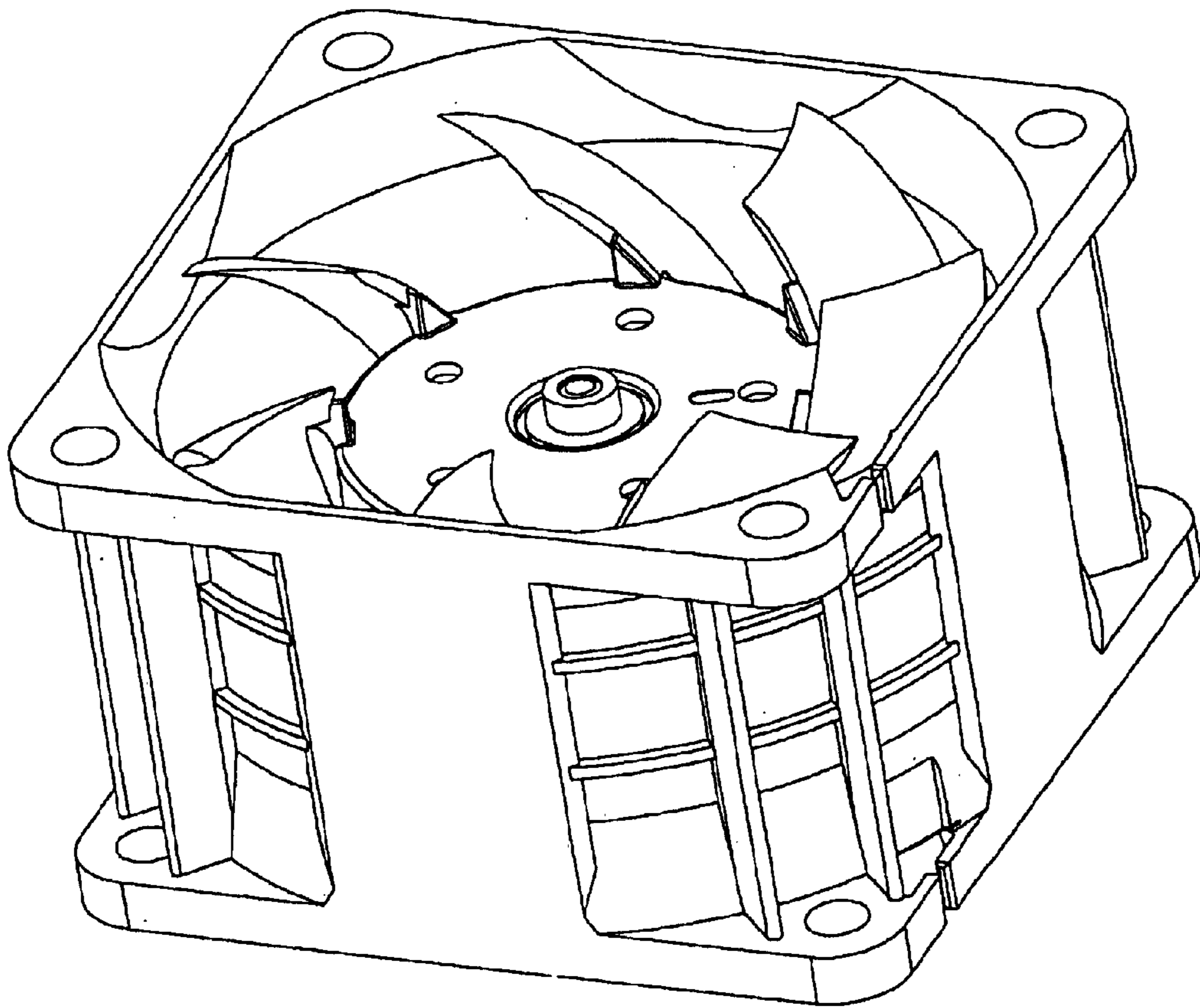


Fig. 1

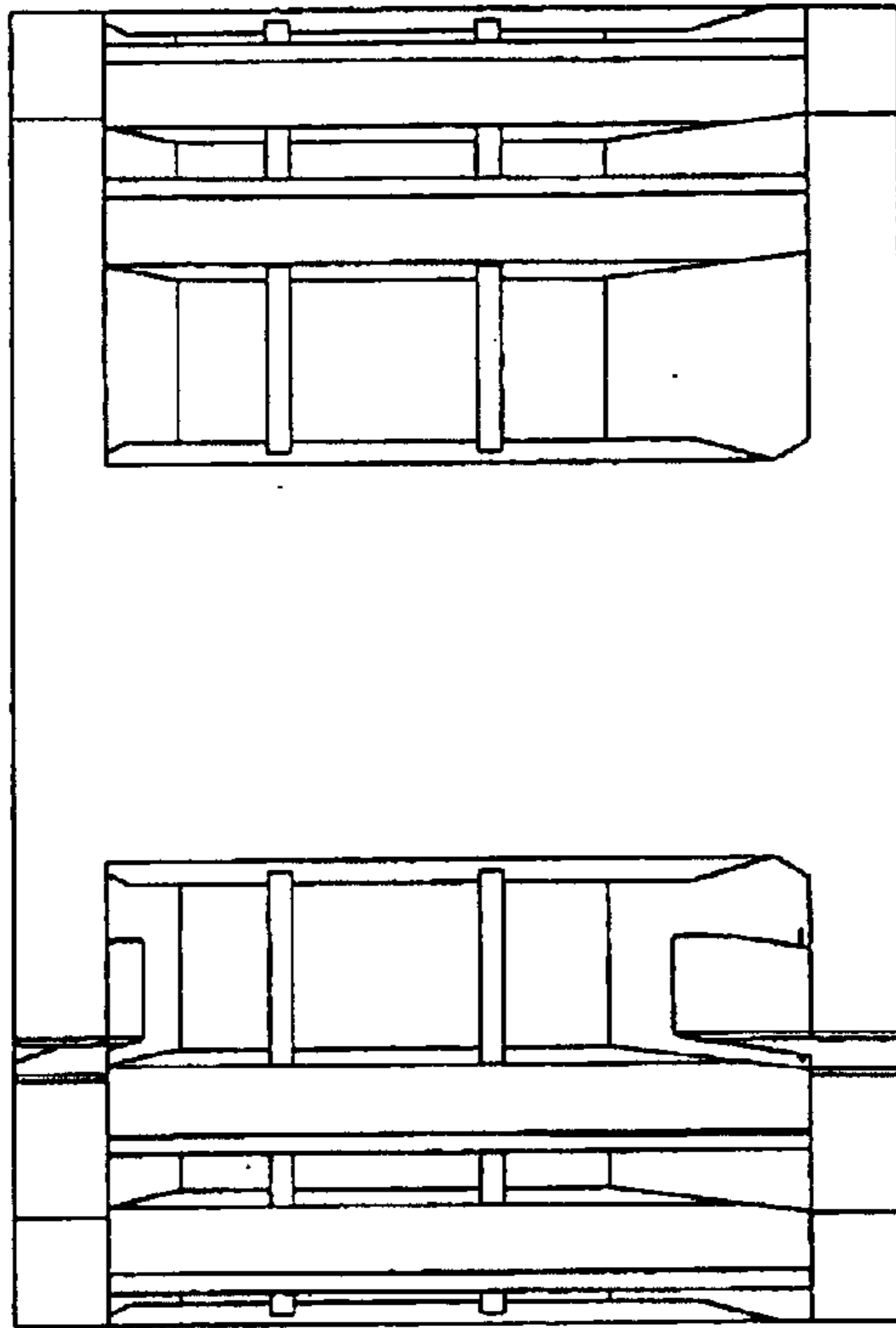


Fig. 2

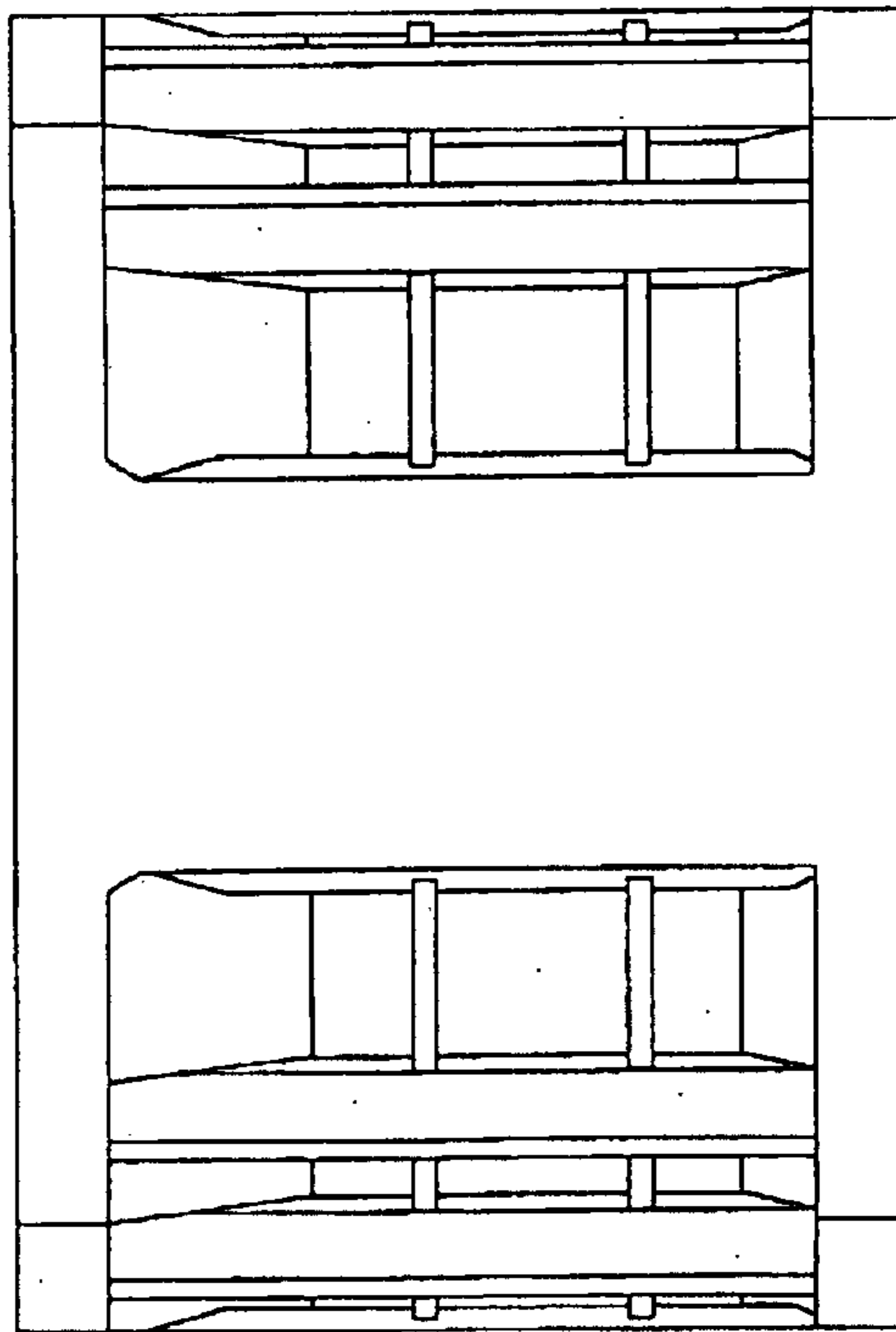


Fig. 6

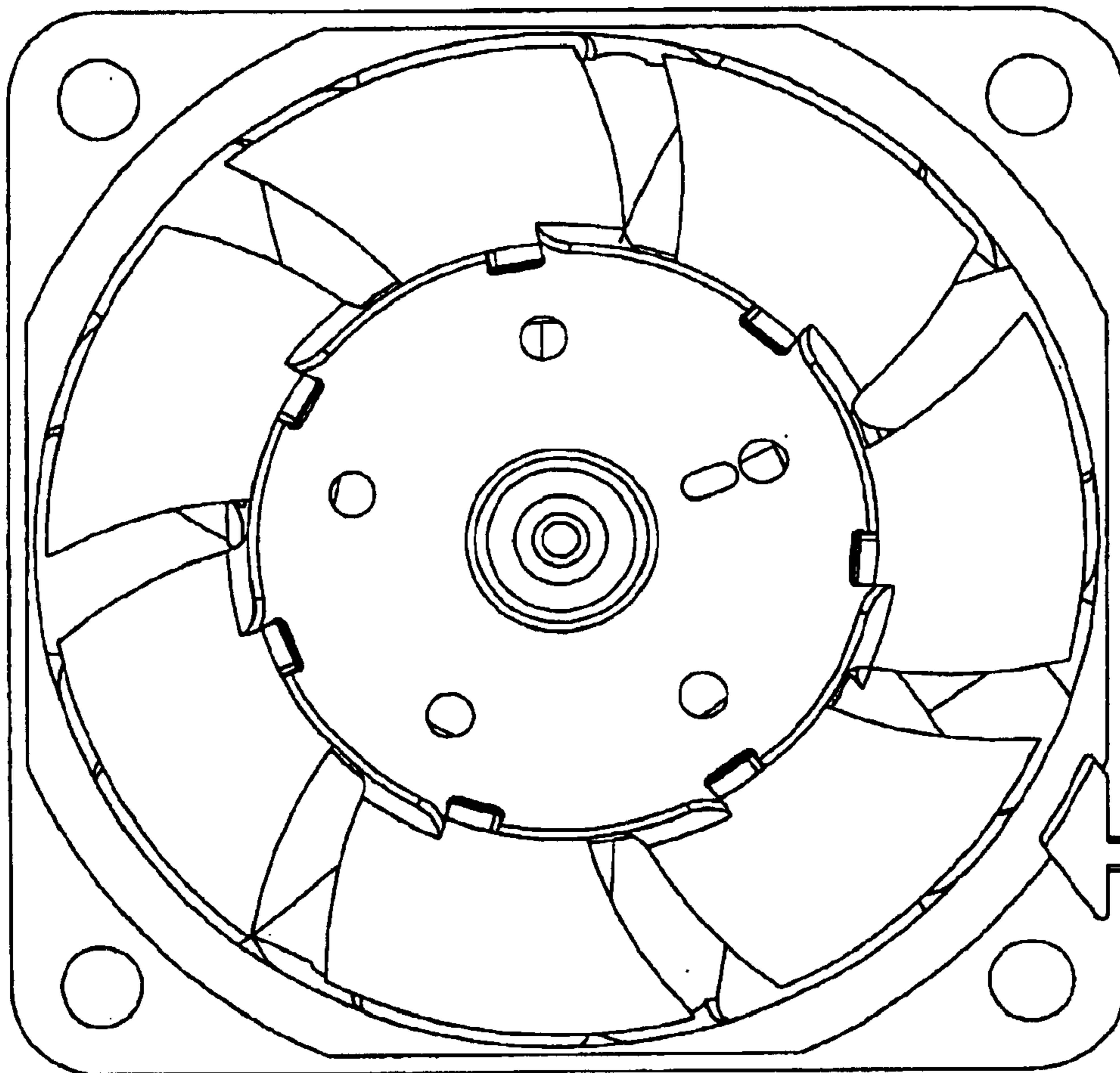


Fig. 3

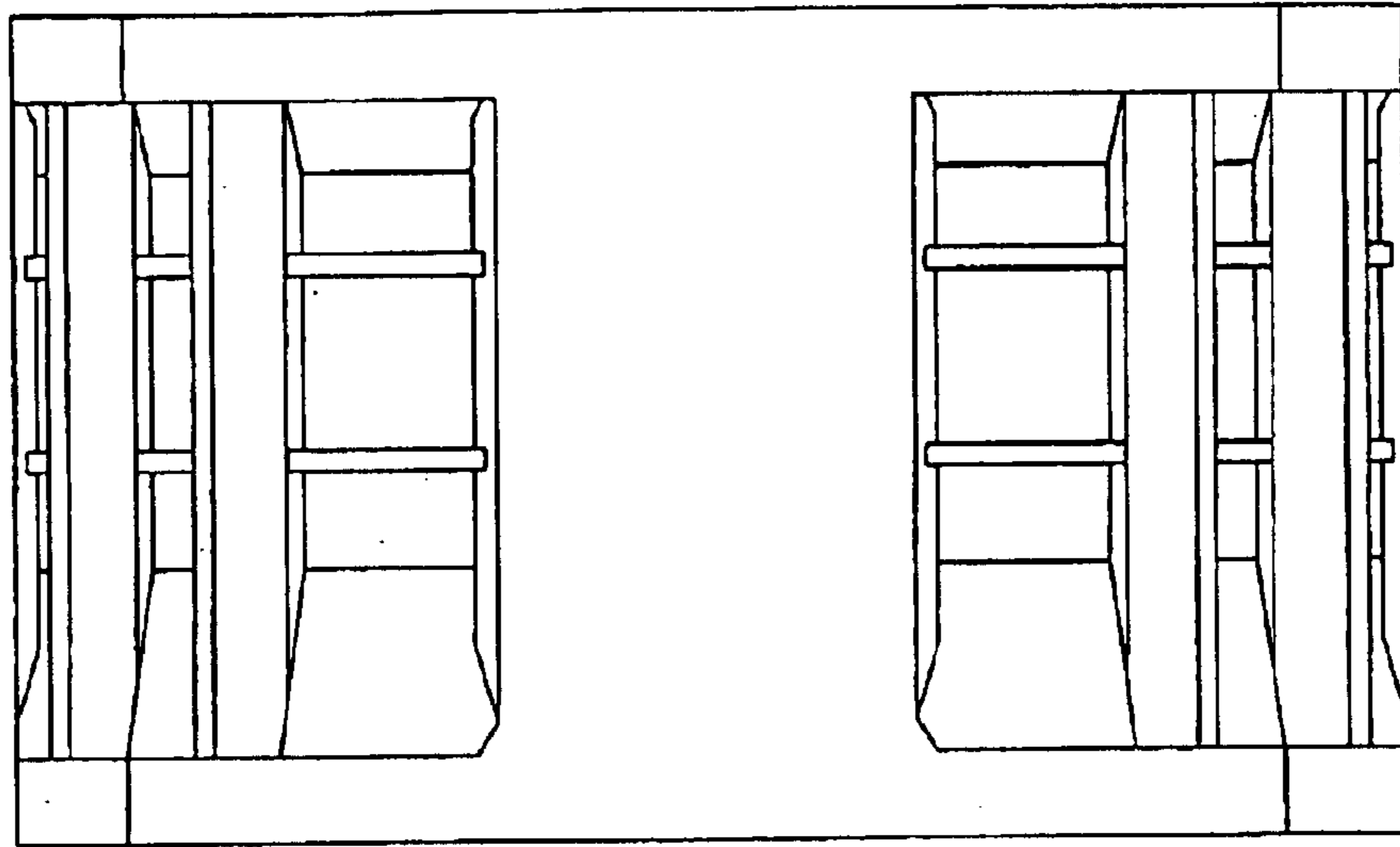


Fig. 4

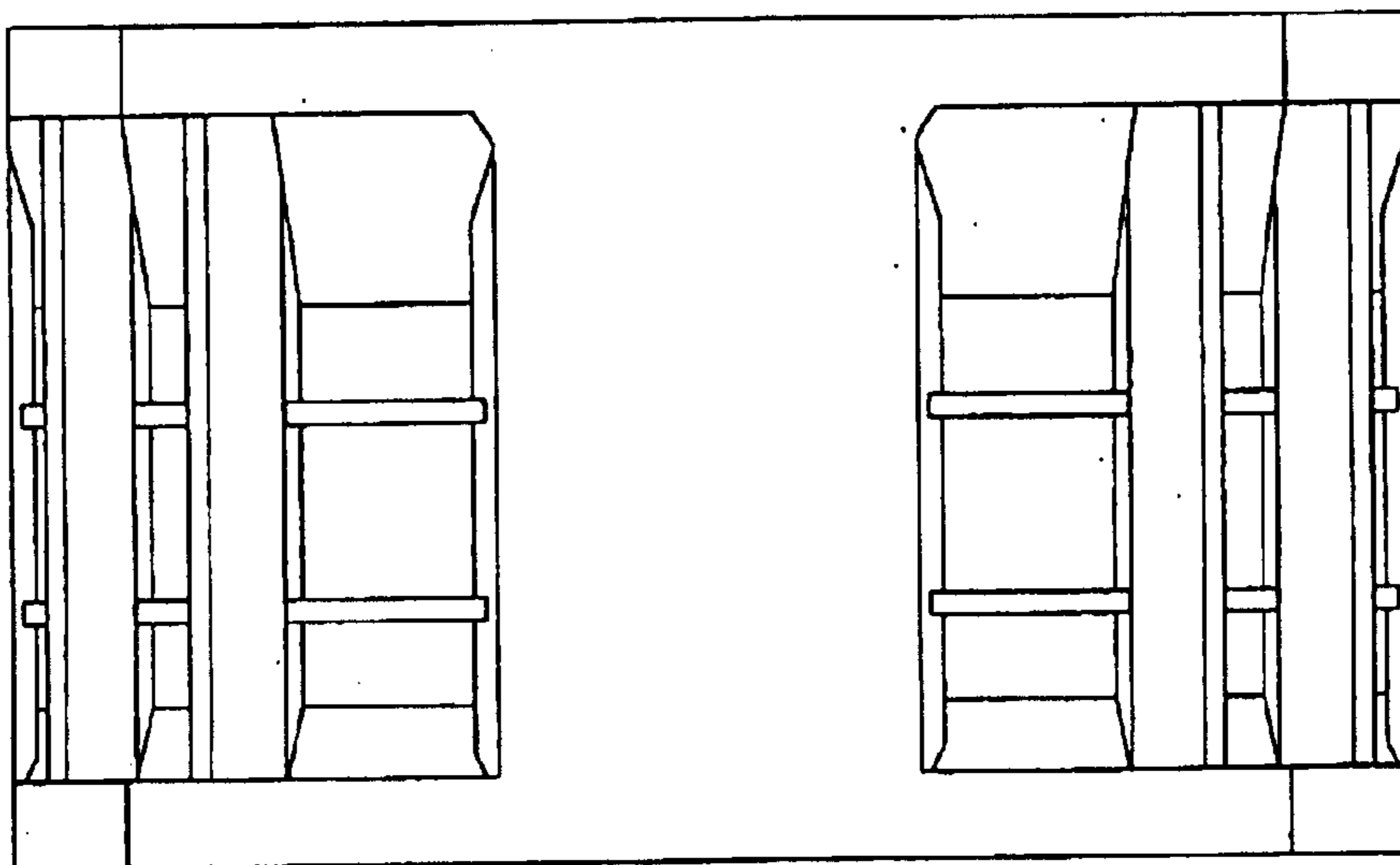


Fig. 7

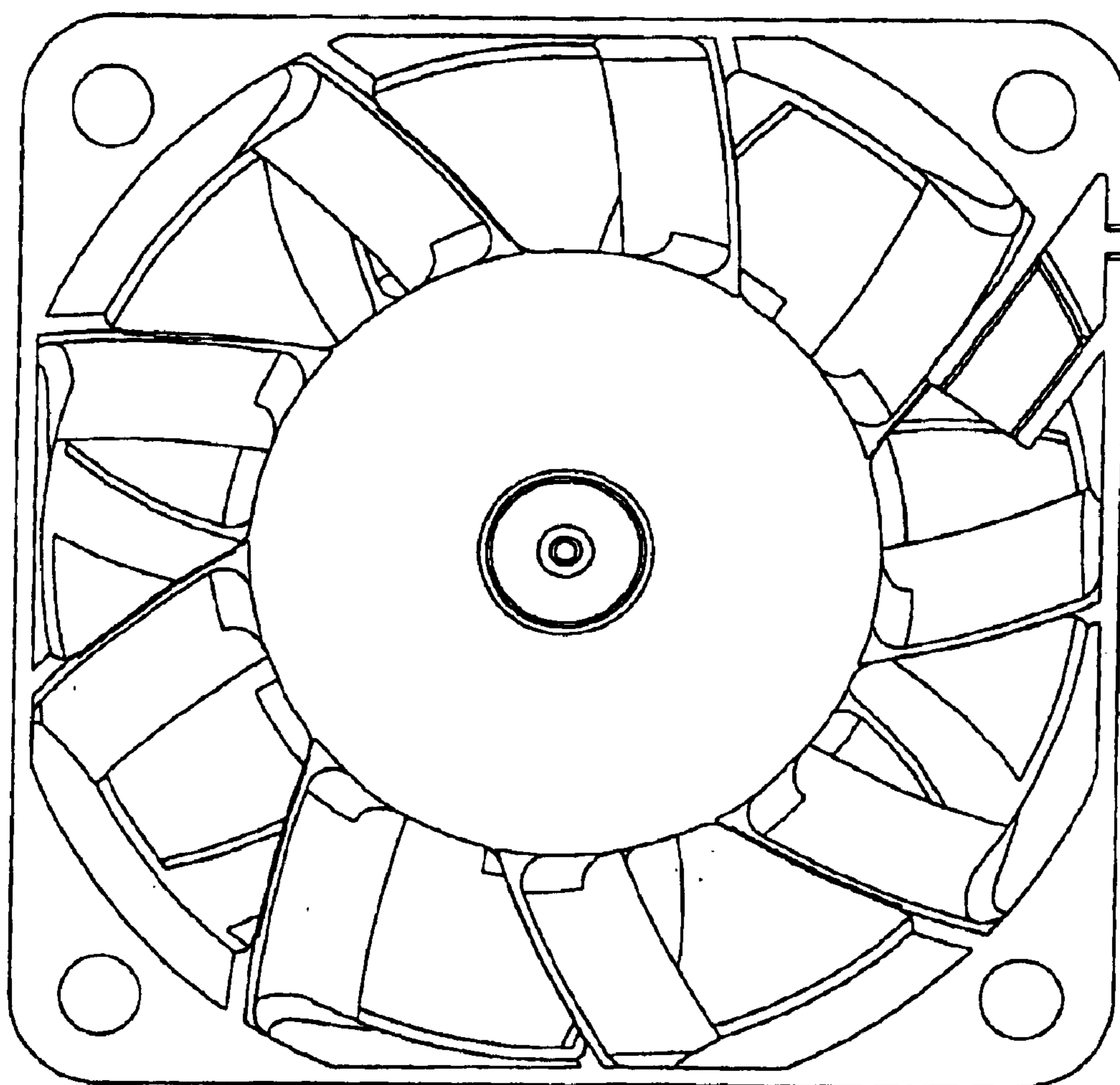


Fig. 5