



US00D492985S1

(12) **United States Design Patent**
Brotherston et al.

(10) **Patent No.:** **US D492,985 S**
(45) **Date of Patent:** **** Jul. 13, 2004**

(54) **COMMODE CHAIR SEAT**

D387,421 S * 12/1997 Kivela D23/311
5,765,236 A * 6/1998 Bethanis 4/237

(75) Inventors: **Ian Brotherston**, Listowel (CA);
Michael B. Truelove, Stratford (CA)

* cited by examiner

(73) Assignee: **Broda Enterprises Inc.**, Waterloo (CA)

Primary Examiner—Doris Clark

(**) Term: **14 Years**

(57) **CLAIM**

(21) Appl. No.: **29/134,108**

The ornamental design for a commode chair seat, as shown and described.

(22) Filed: **Dec. 15, 2000**

DESCRIPTION

Related U.S. Application Data

(63) Continuation-in-part of application No. 29/117,006, filed on Jan. 18, 2000, now Pat. No. Des. 435,894.

FIG. 1 is a perspective view of the commode chair seat showing the design.

(51) **LOC (7) Cl.** **23-02**

FIG. 2 is a top plan view of the commode chair seat shown in FIG. 1.

(52) **U.S. Cl.** **D23/311**

FIG. 3 is a bottom elevation view of the commode chair seat shown in FIG. 1.

(58) **Field of Search** D23/311, 309;
4/241, 237

FIG. 4 is a front elevation view of the commode chair seat shown in FIG. 1.

FIG. 5 is a rear elevation view of the commode chair seat shown in FIG. 1; and,

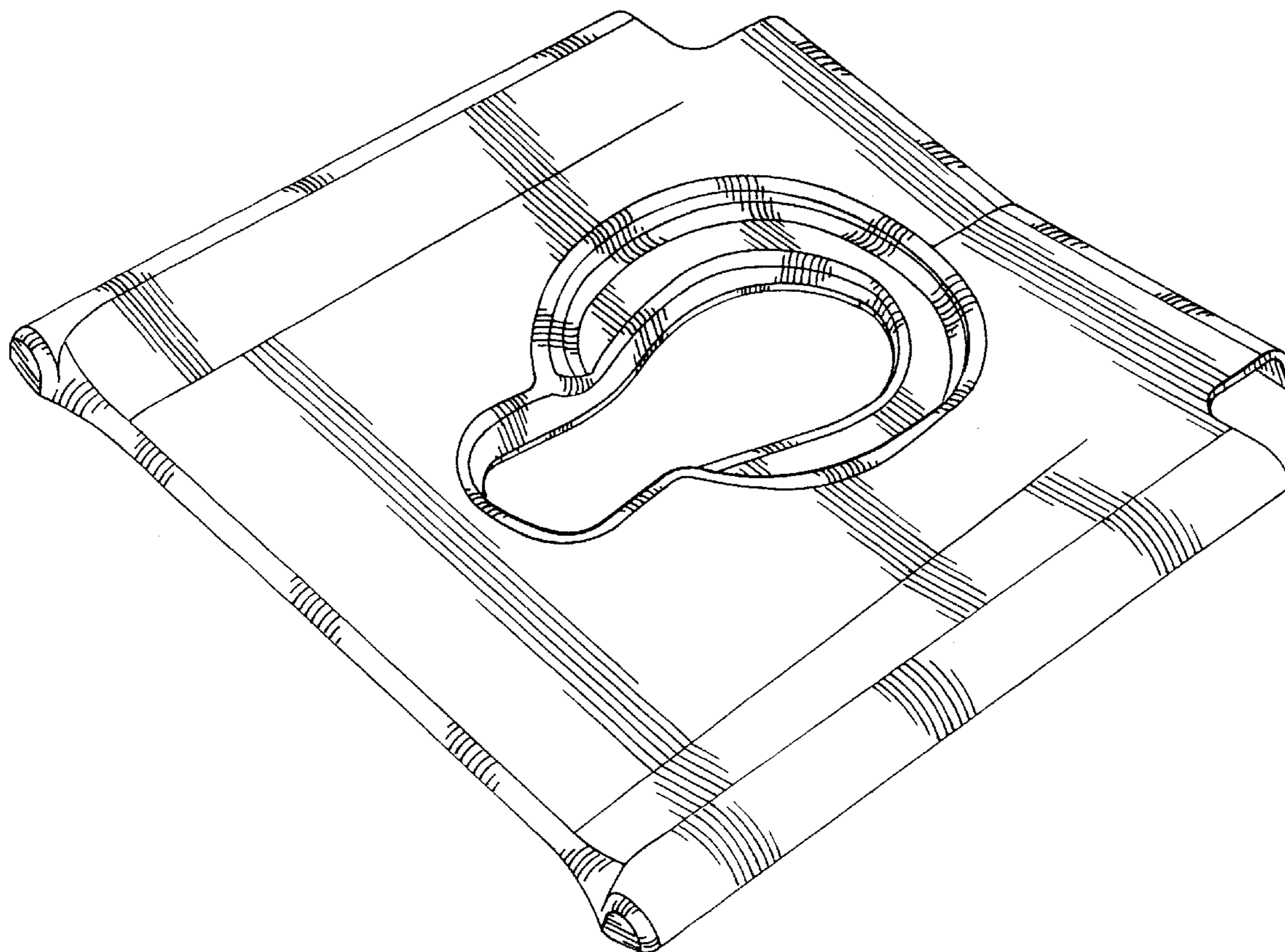
FIG. 6 is a side elevation view of the commode chair seat shown in FIG. 1.

(56) **References Cited**

U.S. PATENT DOCUMENTS

3,594,831 A * 7/1971 Brewer 4/437

1 Claim, 3 Drawing Sheets



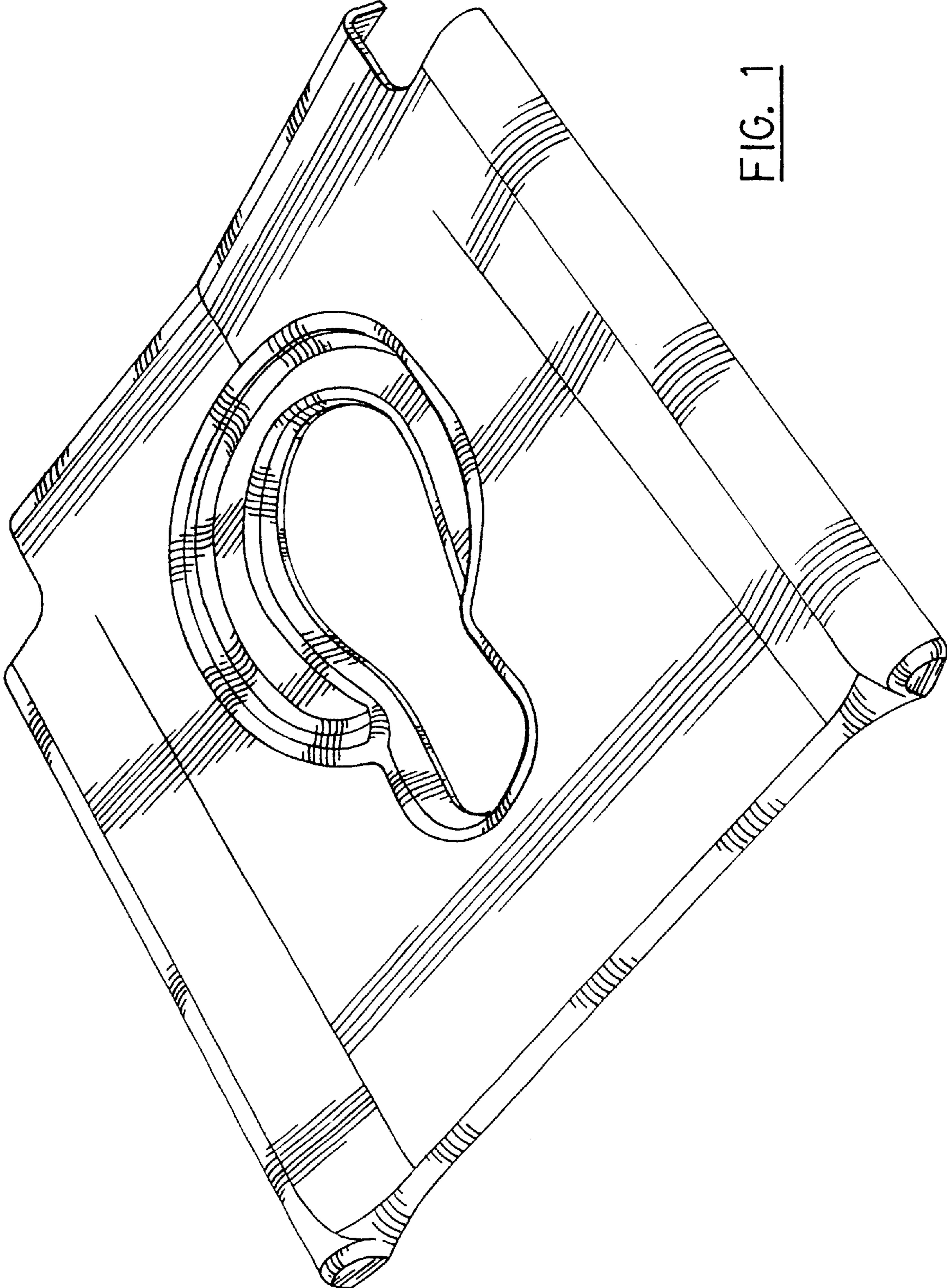


FIG. 1

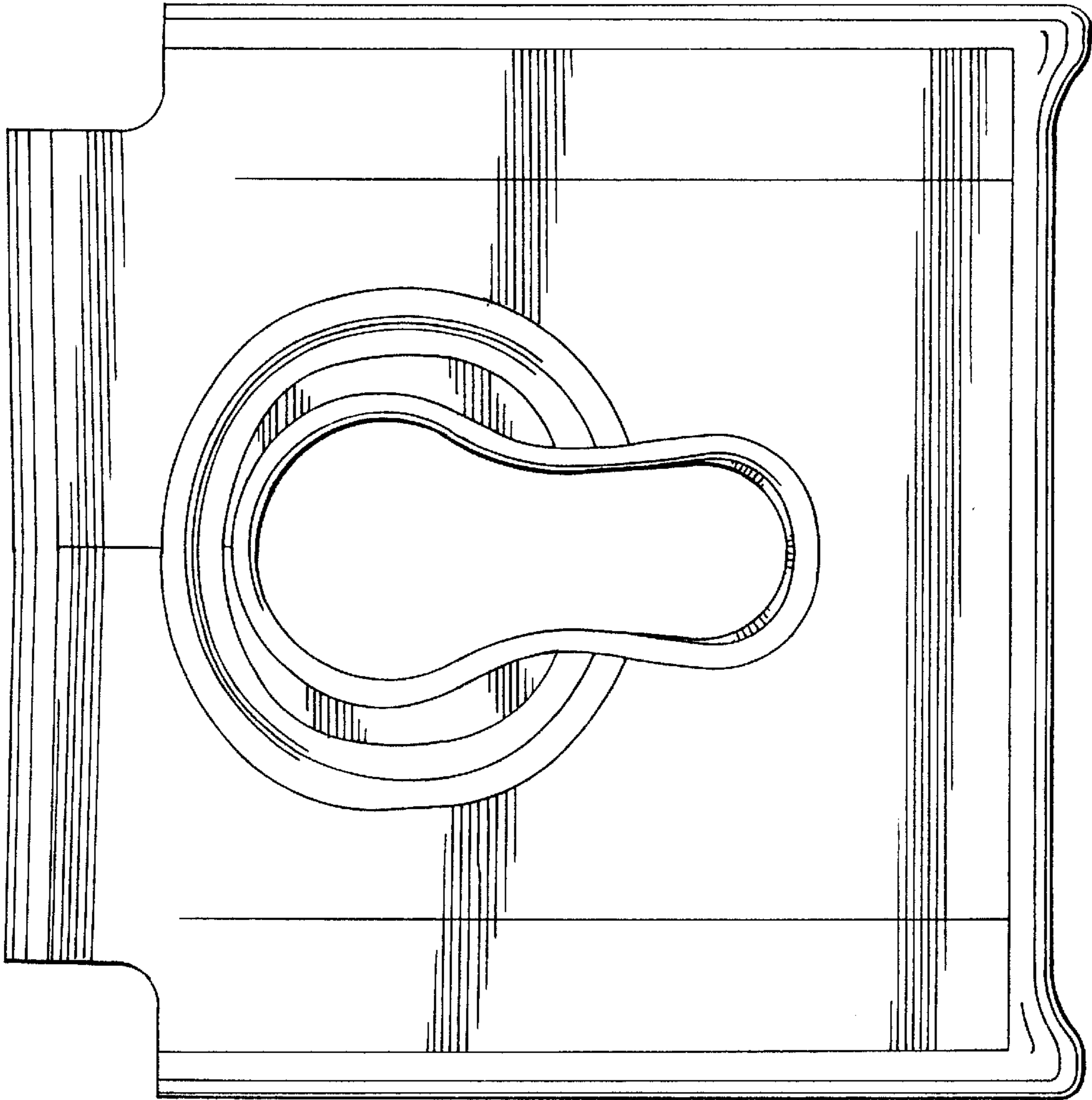


FIG. 2



FIG. 3



FIG. 4

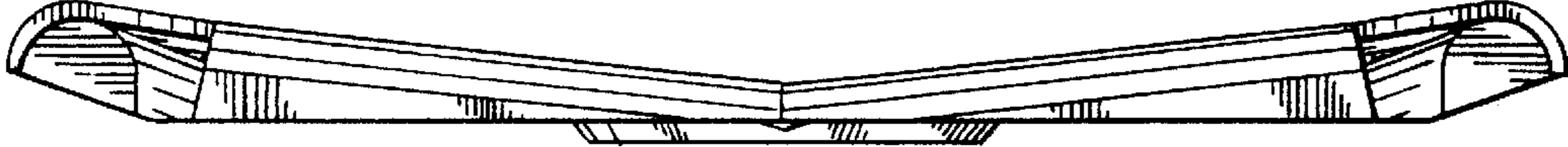


FIG. 5

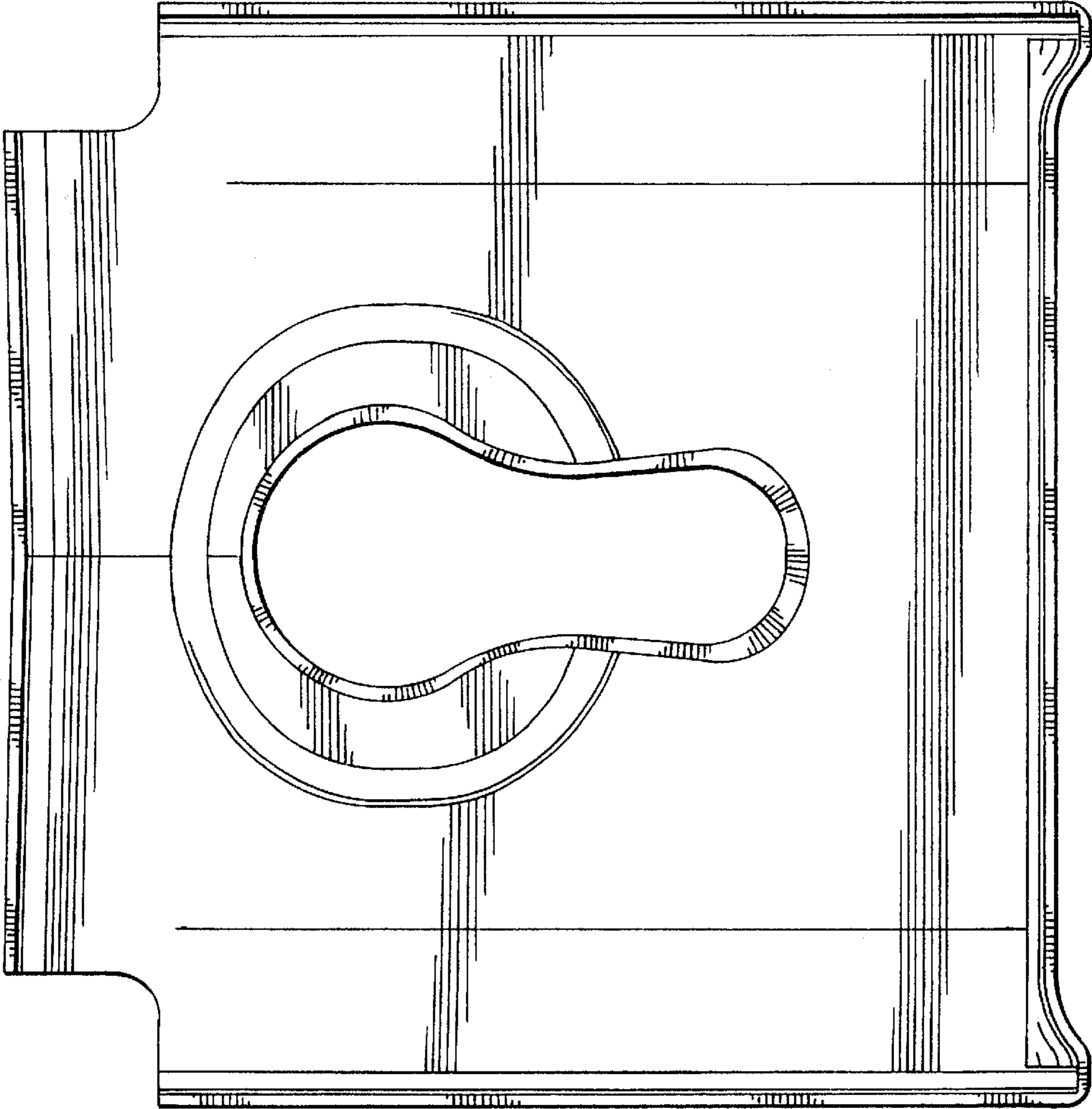


FIG. 6